



US00D344294S

United States Patent [19]

[11] Patent Number: Des. 344,294

Foust

[45] Date of Patent: ** Feb. 15, 1994

[54] SIGN HOLDER

3,156,056	11/1964	Pribil	40/621
3,160,973	12/1964	Ruppelt	40/624
3,201,841	8/1965	Carleton	40/624

[76] Inventor: Rodney A. Foust, 1001 H Pineland St., Greensboro, N.C. 27407

FOREIGN PATENT DOCUMENTS

[**] Term: 14 Years

740462 7/1932 France .

[21] Appl. No.: 845,473

Primary Examiner—Wallace R. Burke
Assistant Examiner—Marcus Jackson
Attorney, Agent, or Firm—Terry M. Gernstein

[22] Filed: Mar. 6, 1992

[52] U.S. Cl. D20/42

[58] Field of Search 40/1, 124, 124.1, 124.2, 40/124.4, 584, 642, 643, 644, 624; D20/10, 17, 39, 40, 42

[57] CLAIM

The ornamental design for a sign holder, as shown and described.

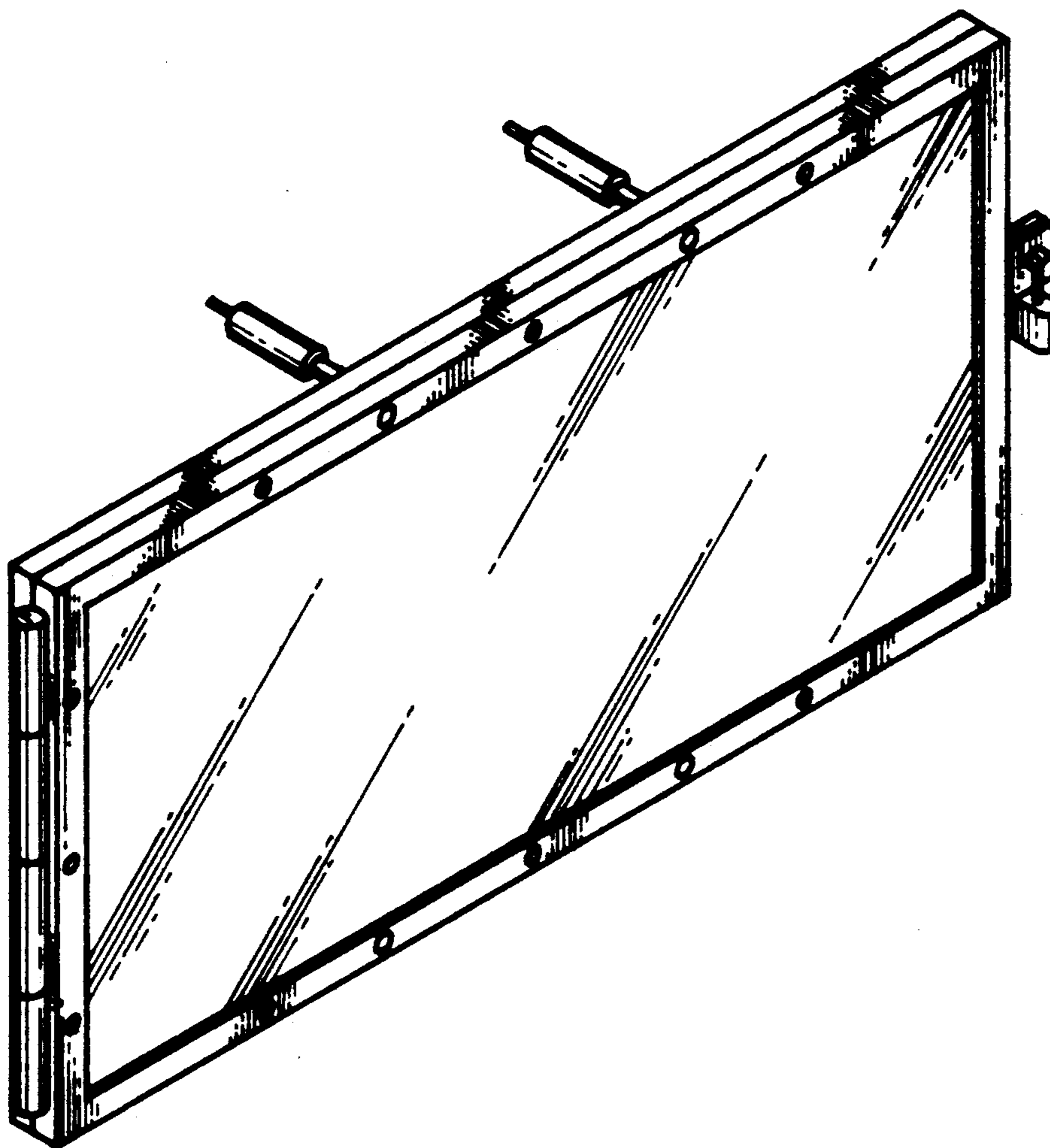
[56] References Cited

DESCRIPTION

U.S. PATENT DOCUMENTS

D. 312,262	11/1990	Allan	D20/10
950,912	3/1910	Harrington	40/124
1,165,247	12/1915	Hamilton	40/124
1,238,988	9/1917	Connor	40/124
2,120,472	6/1938	Rosenak	40/124.1
2,609,613	9/1952	Capers	40/124.4
3,146,541	9/1964	Miller	40/624

FIG. 1 is a perspective view of the sign holder embodying the design of the present invention; FIG. 2 is a front and elevational view thereof; FIG. 3 is a rear end elevational view thereof; FIG. 4 is a side elevational view thereof; FIG. 5 is a side elevational view thereof; FIG. 6 is a top plan view thereof; FIG. 7 is a bottom view thereof.



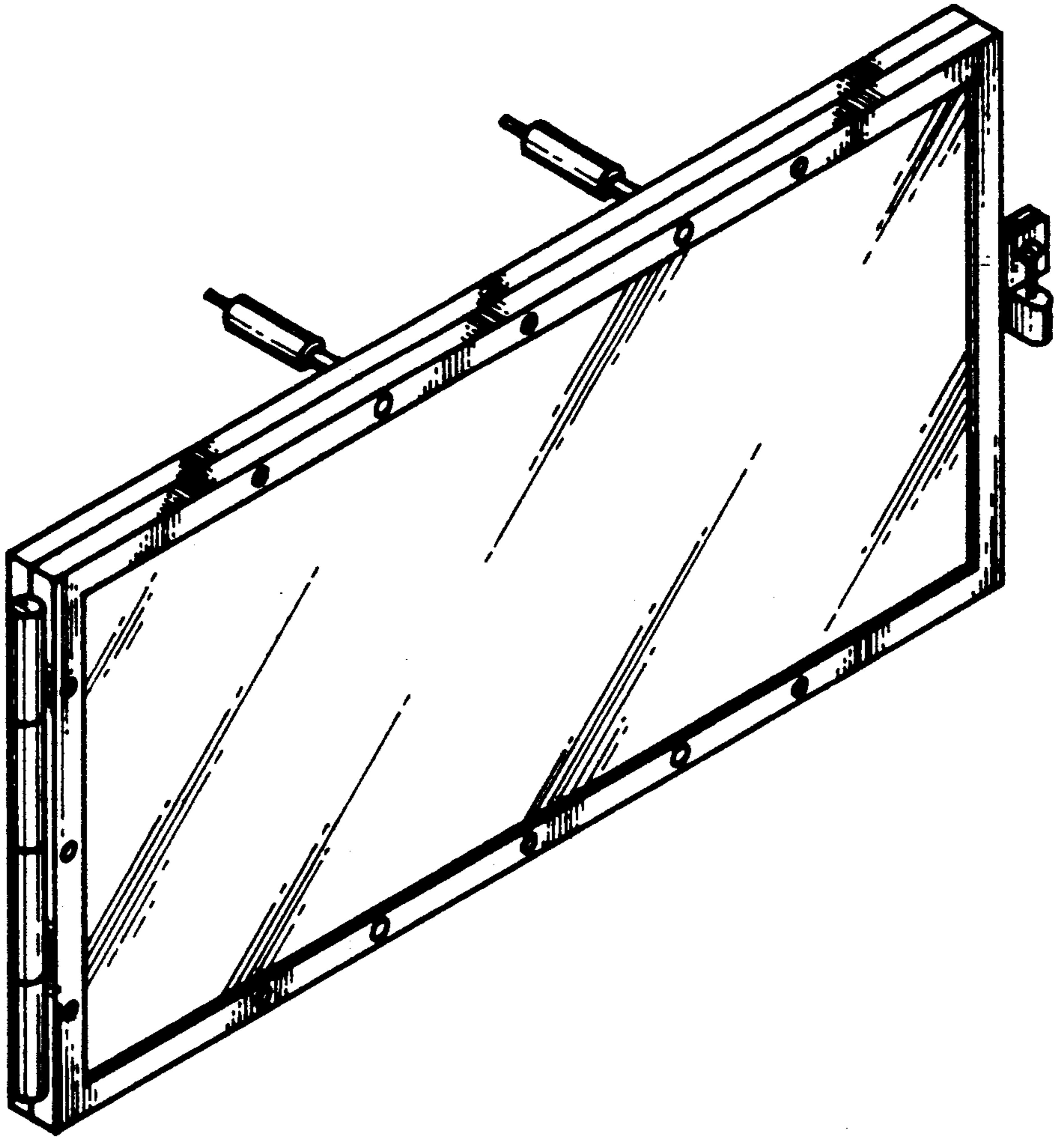


FIG.1



FIG. 2

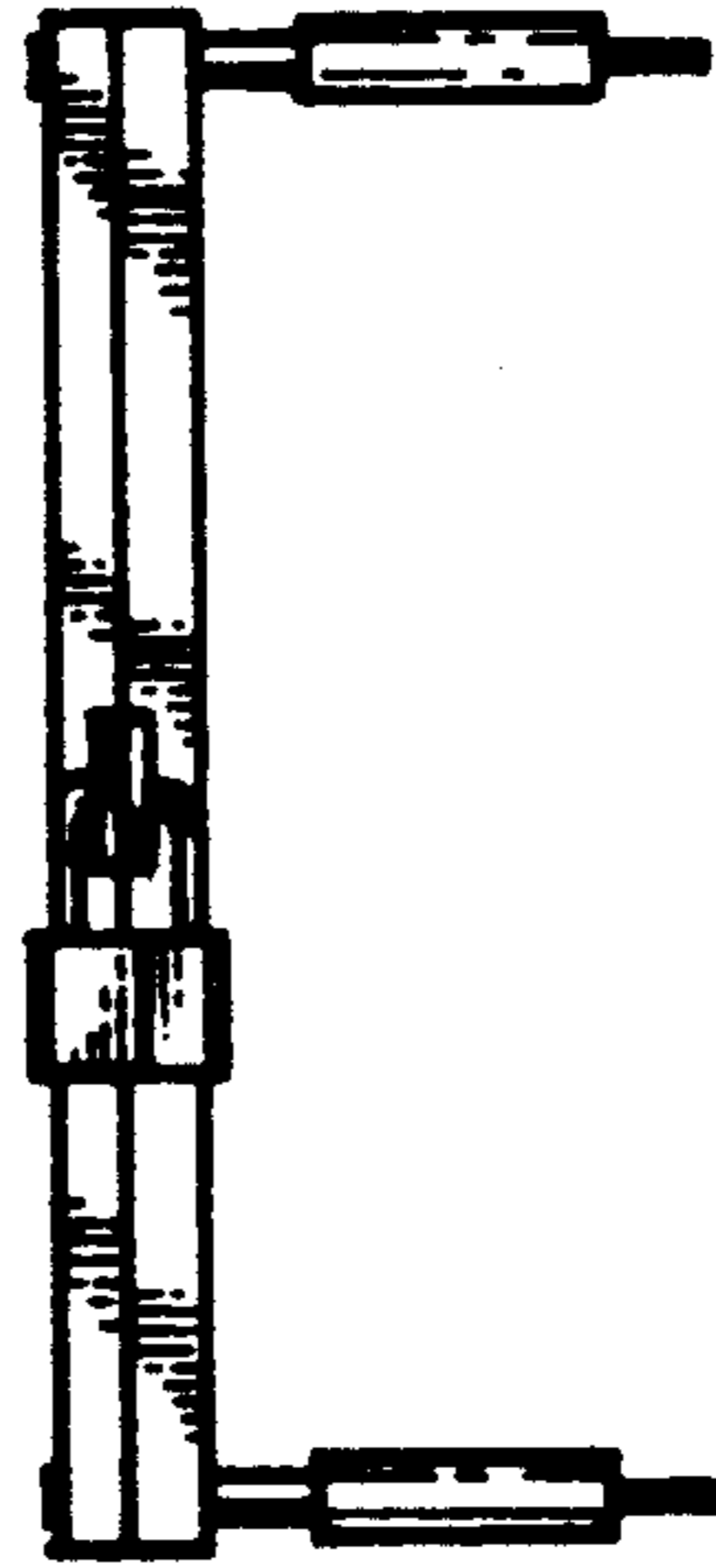


FIG. 3

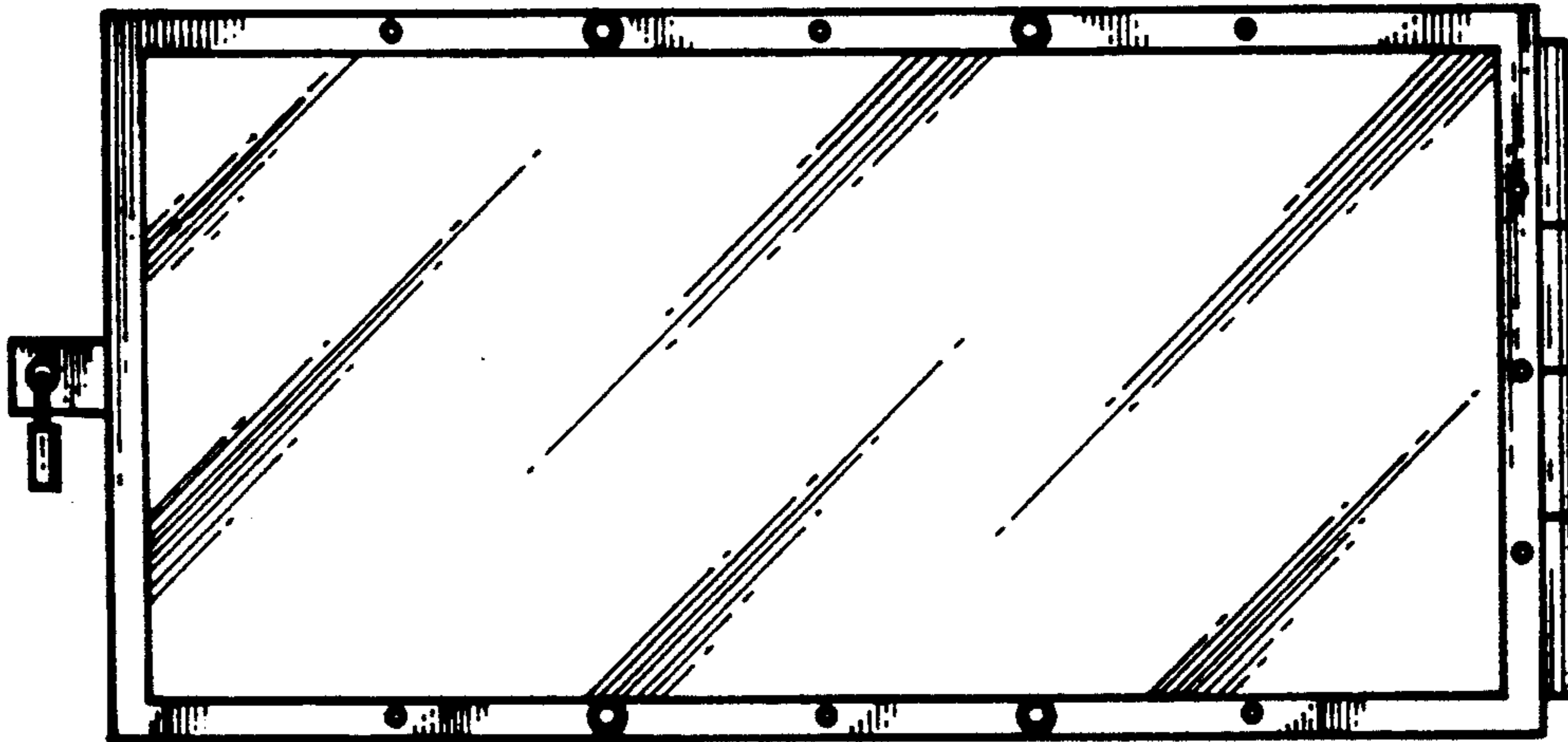


FIG. 4

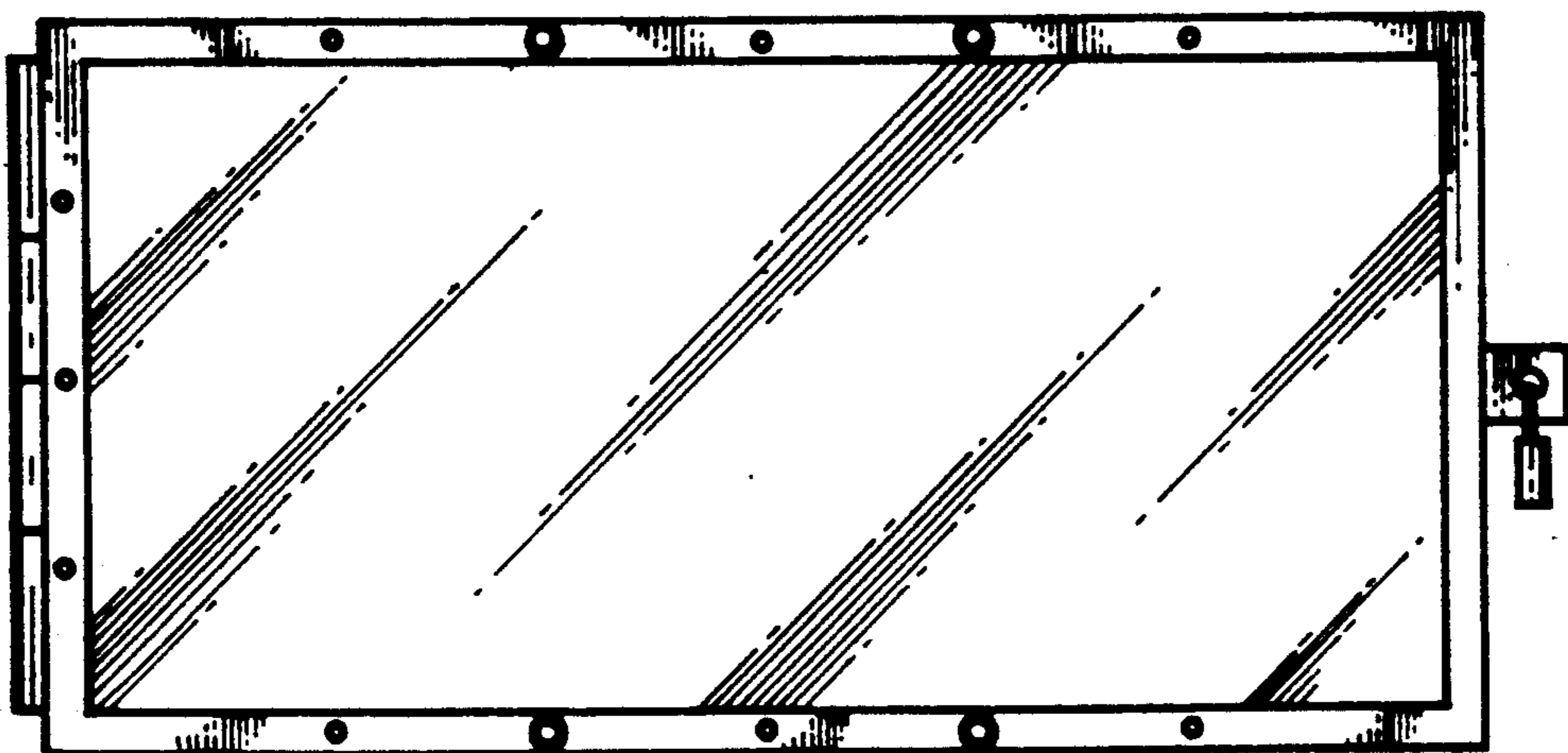


FIG. 5

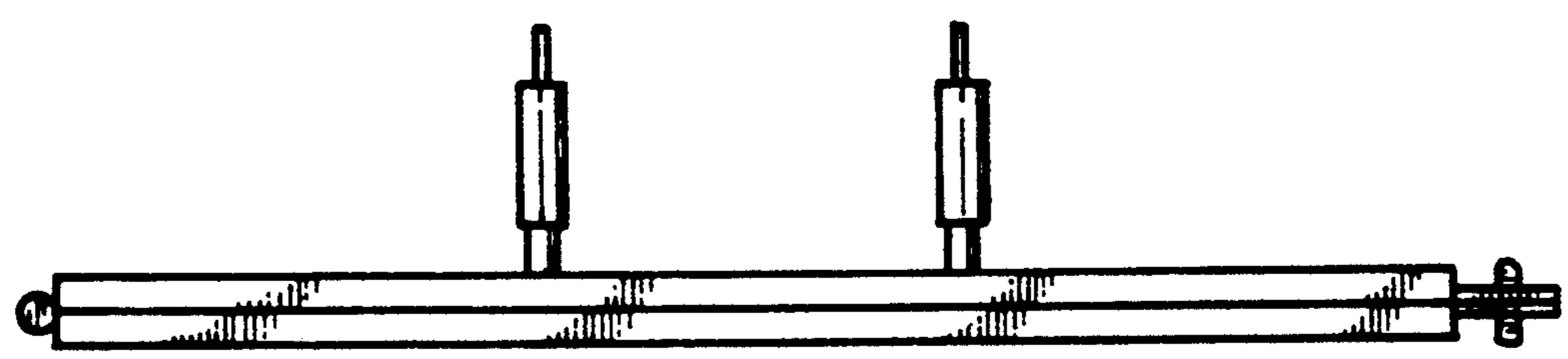


FIG. 6

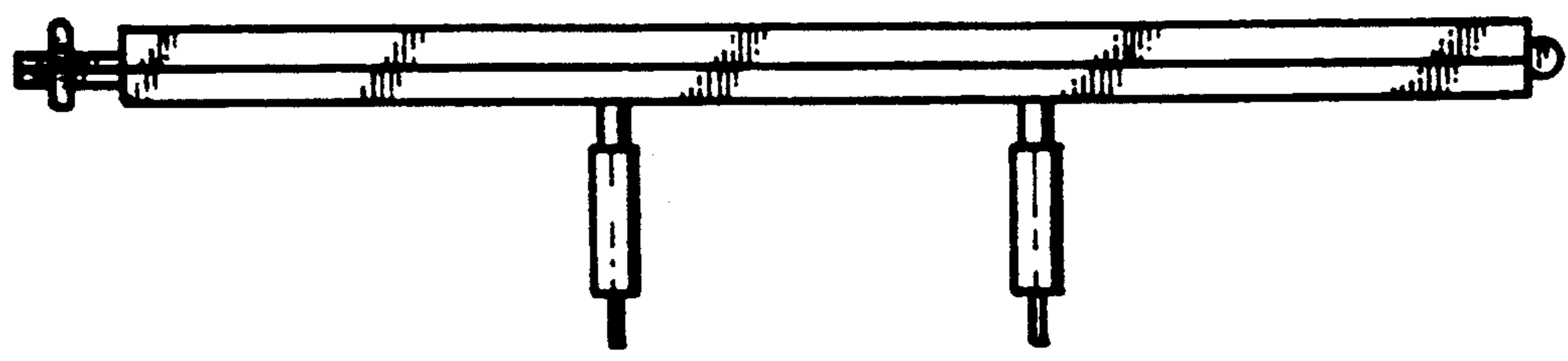


FIG. 7