



US00D344286S

# United States Patent [19]

[11] Patent Number: **Des. 344,286**

**Sugimoto**

[45] Date of Patent: **\*\* Feb. 15, 1994**

[54] **PRINTER FOR ELECTRONIC COMPUTER**

[75] Inventor: **Isao Sugimoto, Tokyo, Japan**

[73] Assignee: **Citizen Watch Co., Ltd., Tokyo, Japan**

[\*\*] Term: **14 Years**

[21] Appl. No.: **867,611**

[22] Filed: **Apr. 13, 1992**

[30] **Foreign Application Priority Data**

Jan. 30, 1992 [JP] Japan ..... 4-2103

[52] U.S. Cl. .... **D18/55**

[58] Field of Search ..... 400/690-694,  
400/690.1-690.4, 613, 613.1-613.4; D18/50,  
54-55

[56] **References Cited**

**U.S. PATENT DOCUMENTS**

- D. 295,977 5/1988 Shibayama ..... D18/54
- D. 321,363 11/1991 Hirose et al. .... D18/54
- D. 321,530 11/1991 Takeda et al. .... D18/54
- D. 321,531 11/1991 Takeda et al. .... D18/54
- D. 321,708 11/1991 Uchibori et al. .... D18/54

- D. 321,709 11/1991 Uchibori et al. .... D18/54
- D. 321,710 11/1991 Uchibori et al. .... D18/54
- 322,804 12/1991 Sugimoto ..... D18/54

*Primary Examiner*—A. Hugo Word  
*Assistant Examiner*—Cathy Anne MacCormac  
*Attorney, Agent, or Firm*—Cushman, Darby & Cushman

[57] **CLAIM**

The ornamental design for a printer for electronic computer, as shown and described.

**DESCRIPTION**

FIG. 1 is a top, front and left side perspective view of a printer for electronic computer showing my new design;

FIG. 2 is a front elevational view thereof;

FIG. 3 is a rear elevational view thereof;

FIG. 4 is a top plan view thereof;

FIG. 5 is a bottom plan view thereof;

FIG. 6 is a right side elevational view thereof;

FIG. 7 is a top, rear and right side perspective view thereof;

FIG. 8 is a top, rear and right side perspective view thereof showing paper feeder in closed position; and,

FIG. 9 is a top, front and left side perspective view thereof showing paper feeder in closed position.

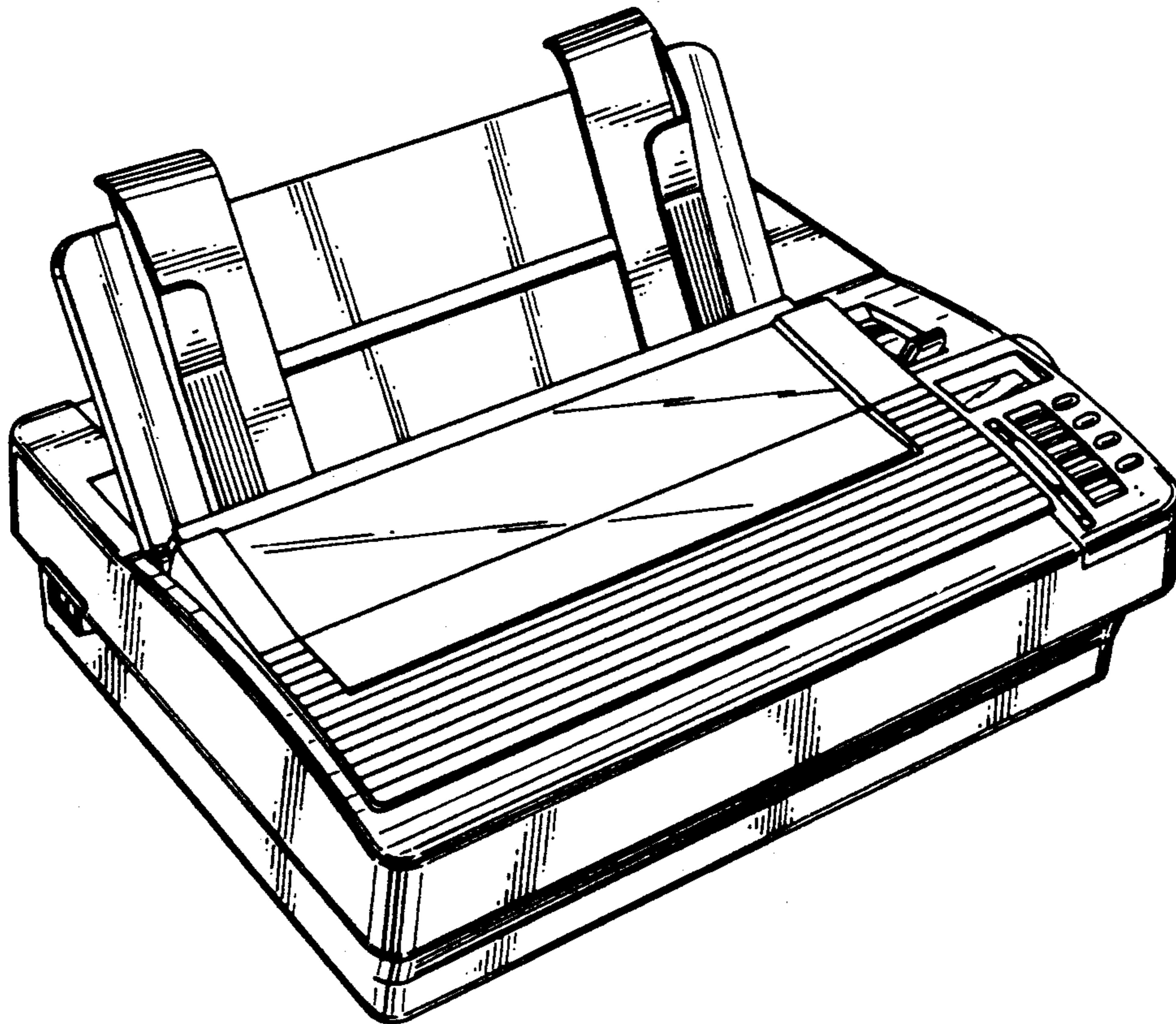


FIG. 1

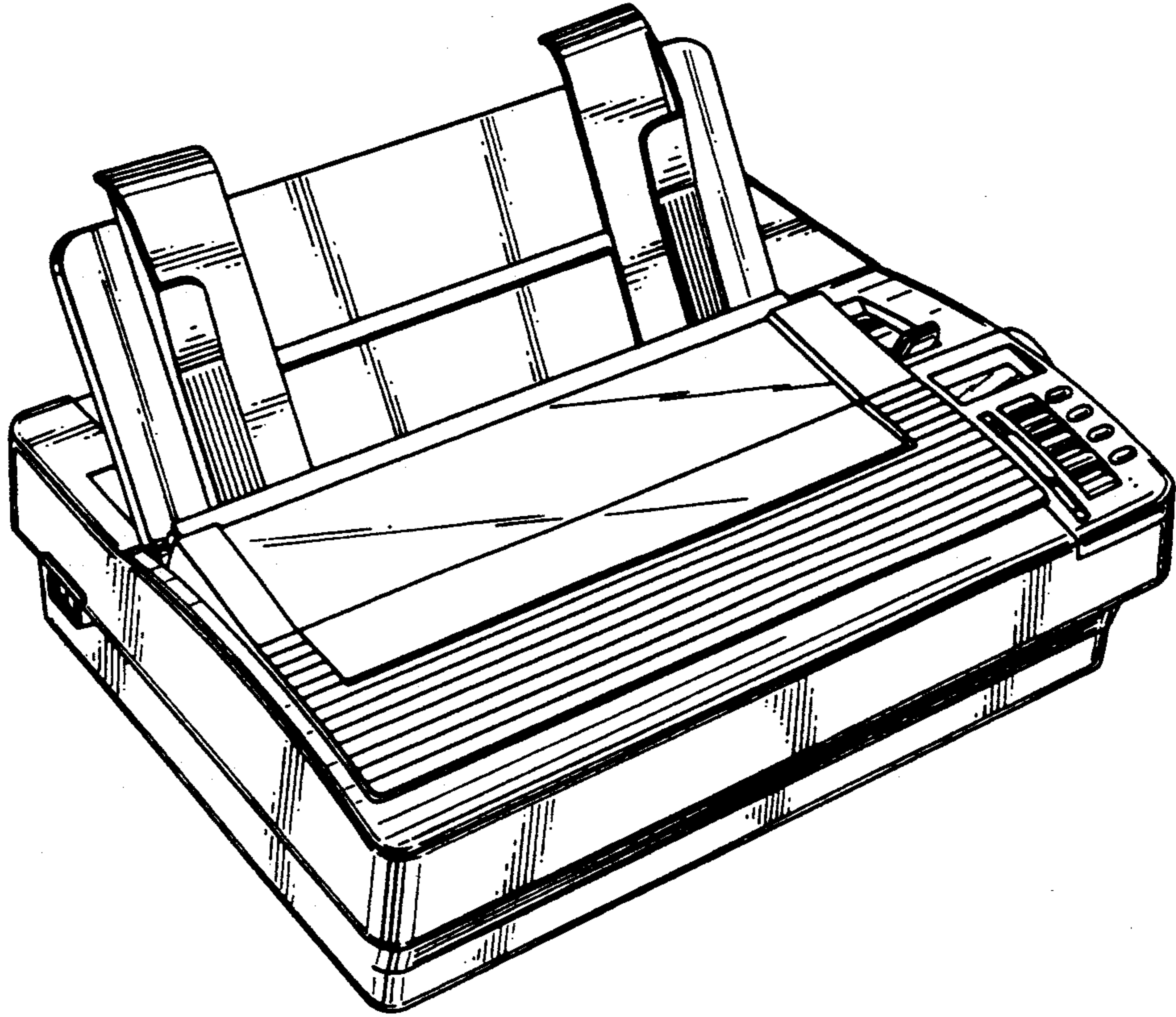


FIG. 2

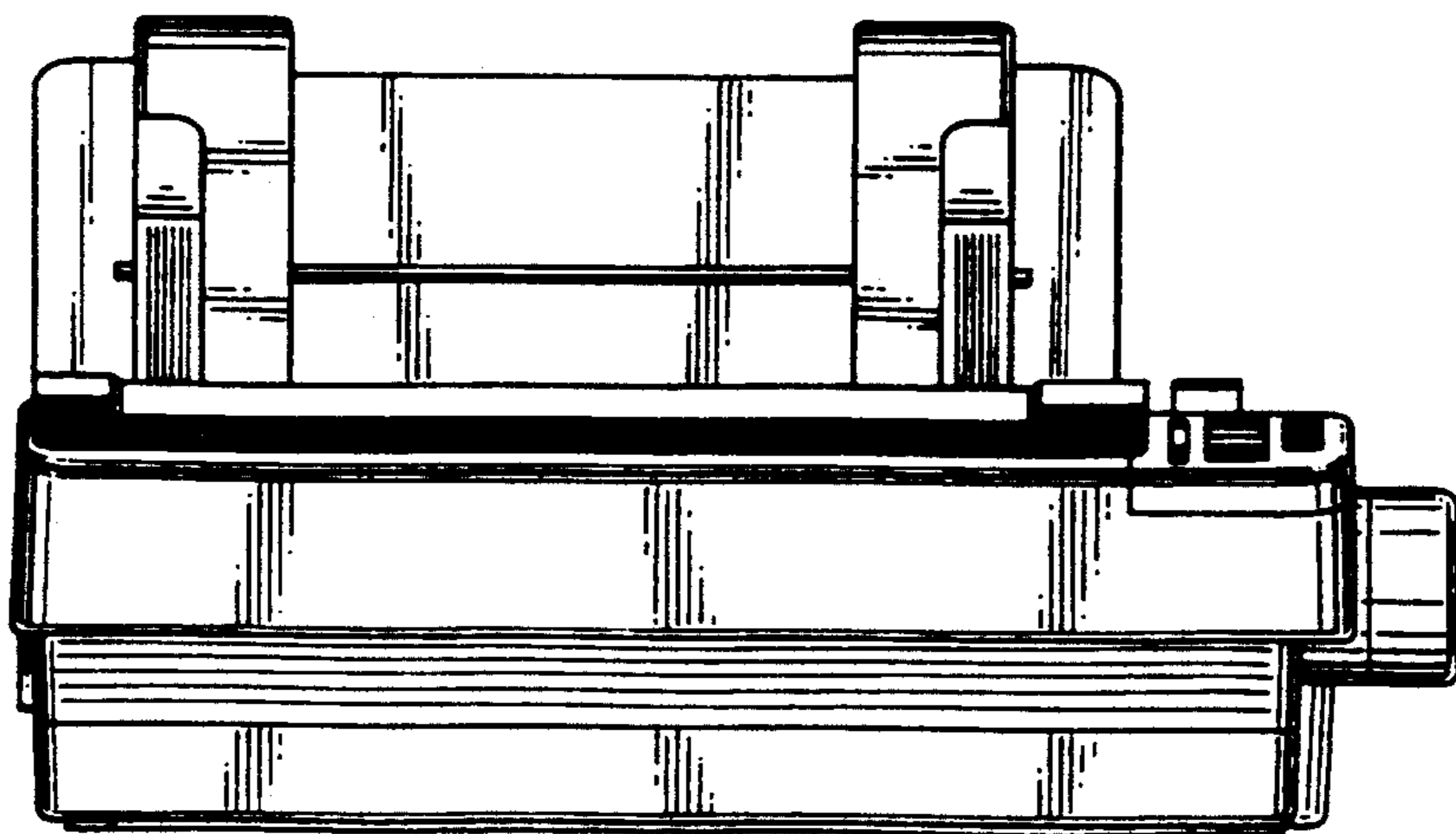


FIG.3

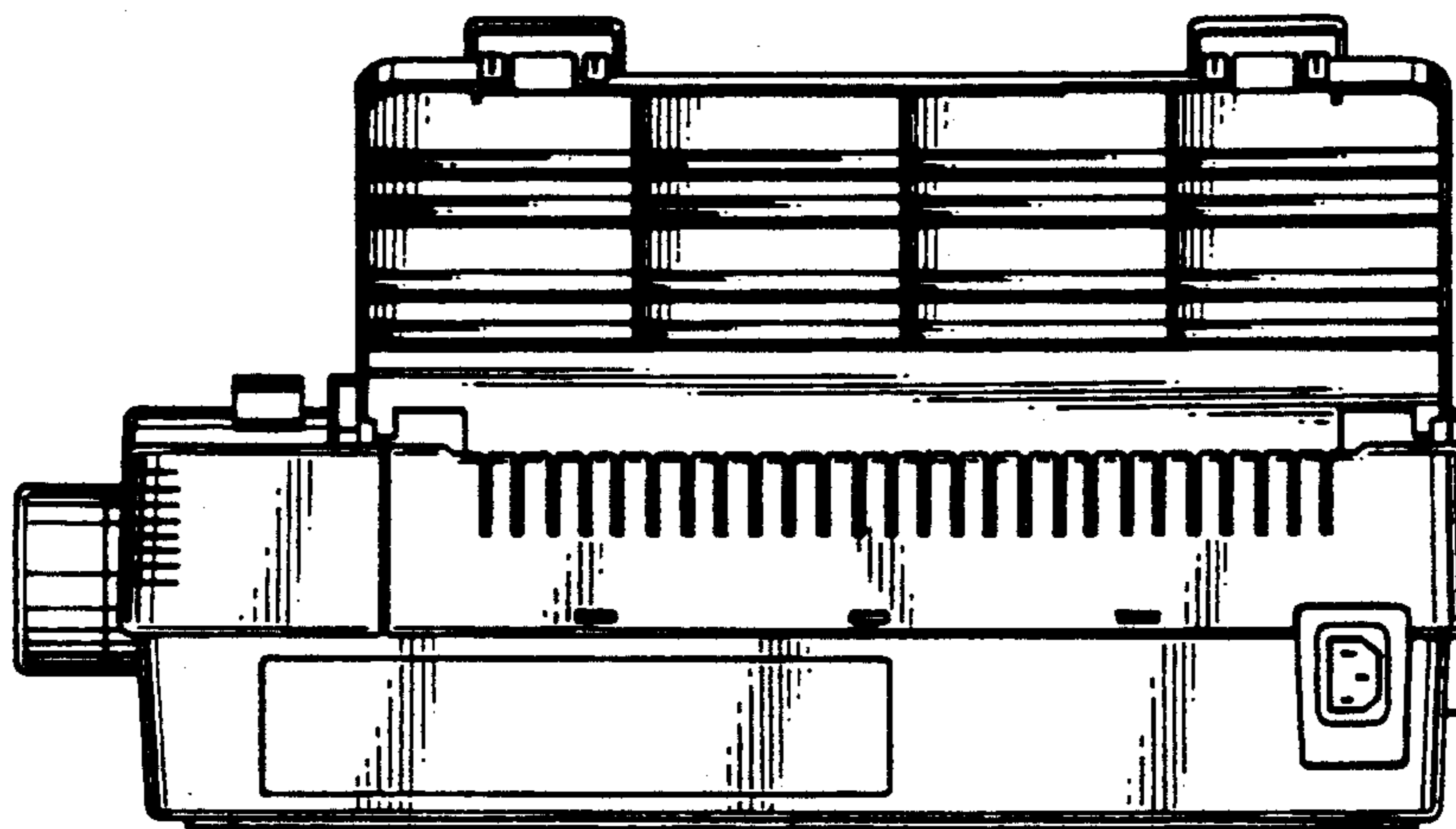


FIG.4

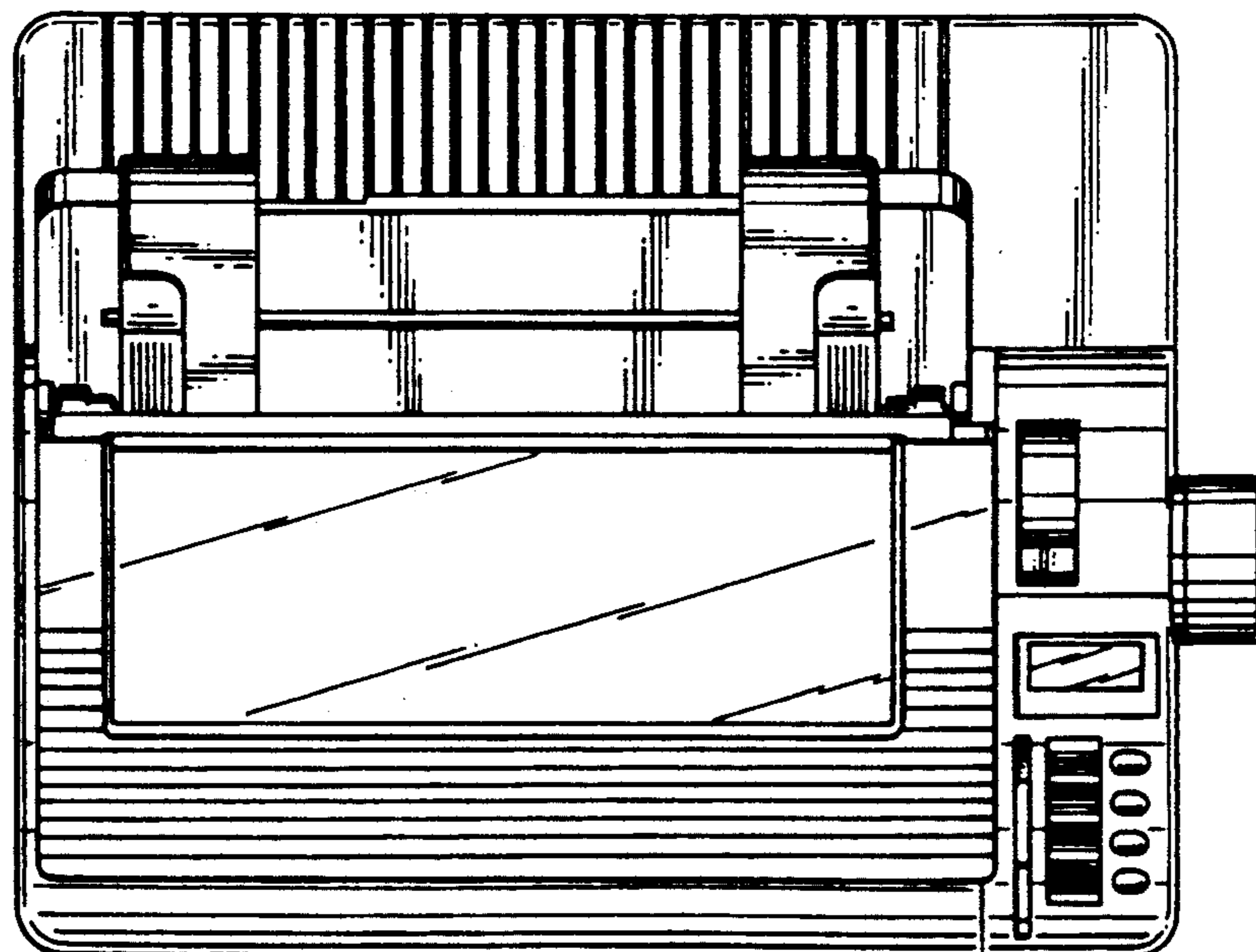


FIG.5

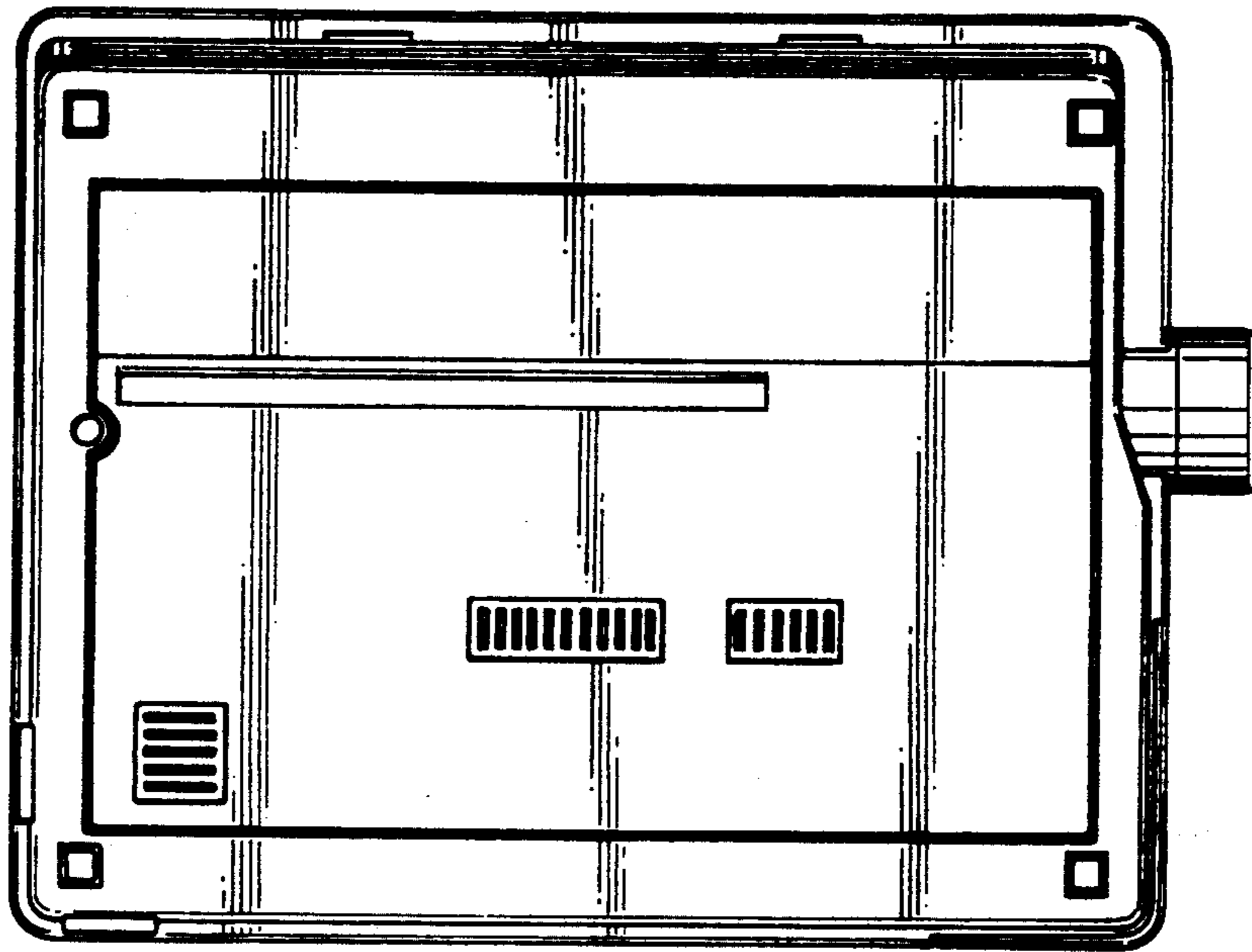


FIG.6

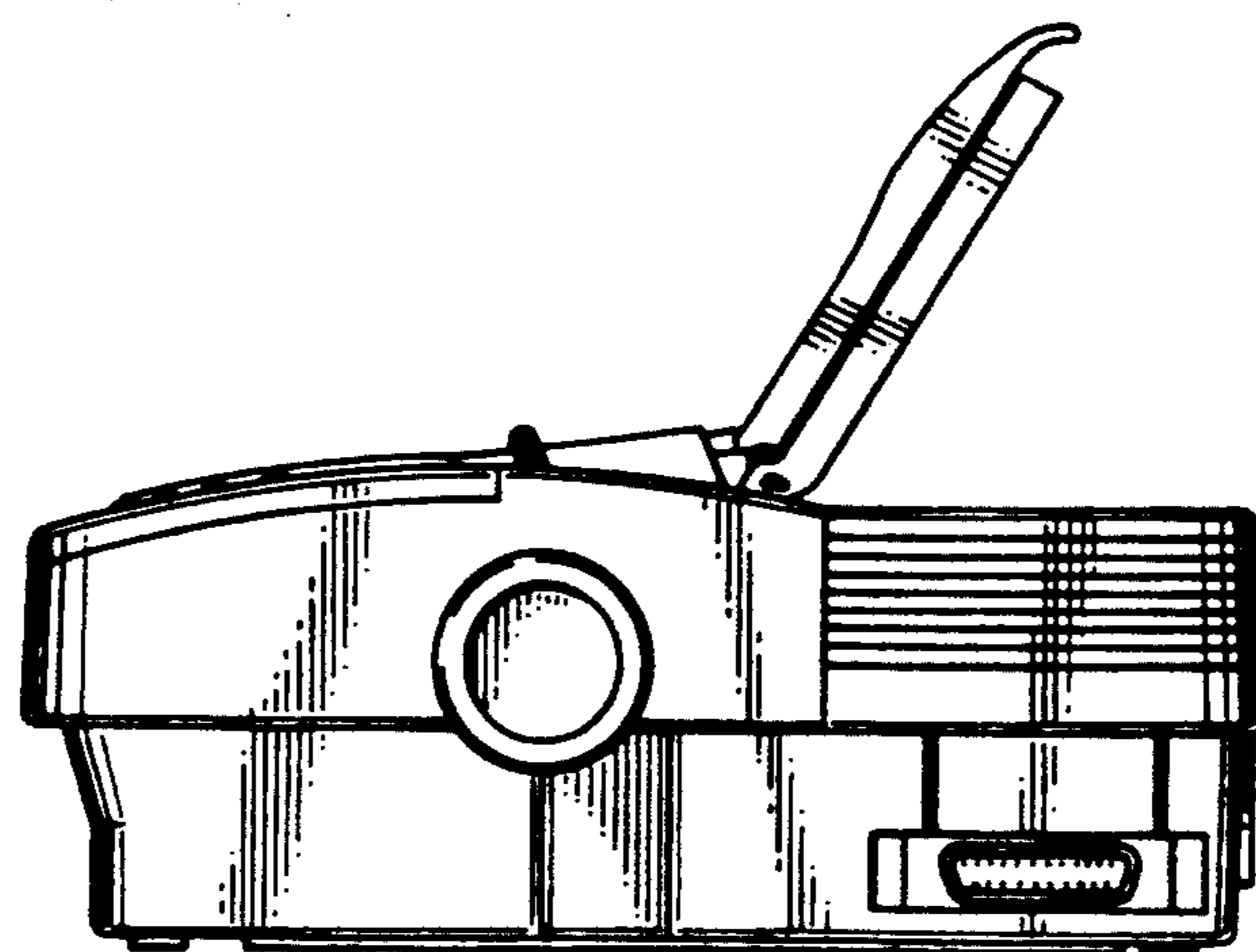


FIG. 7

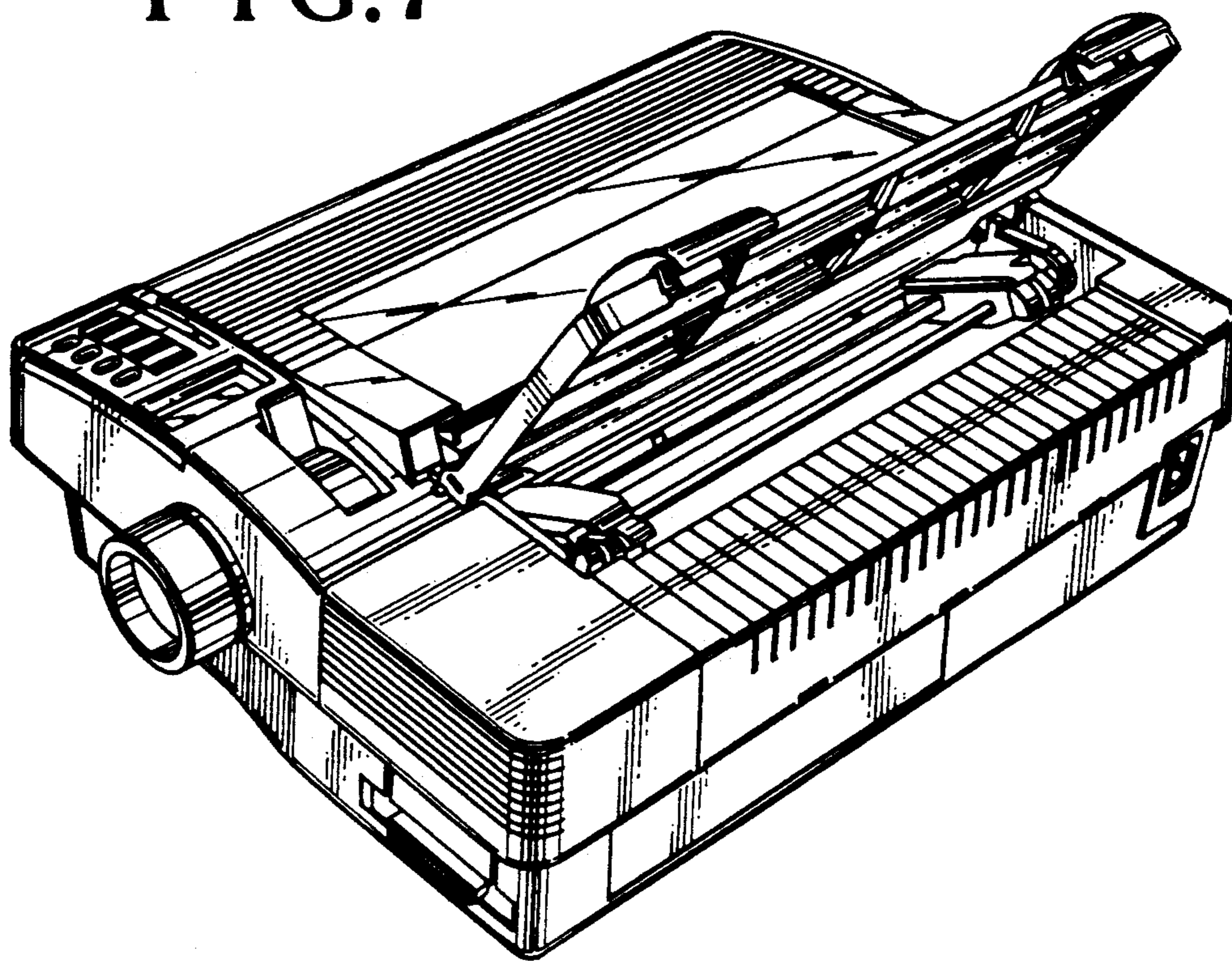


FIG. 8

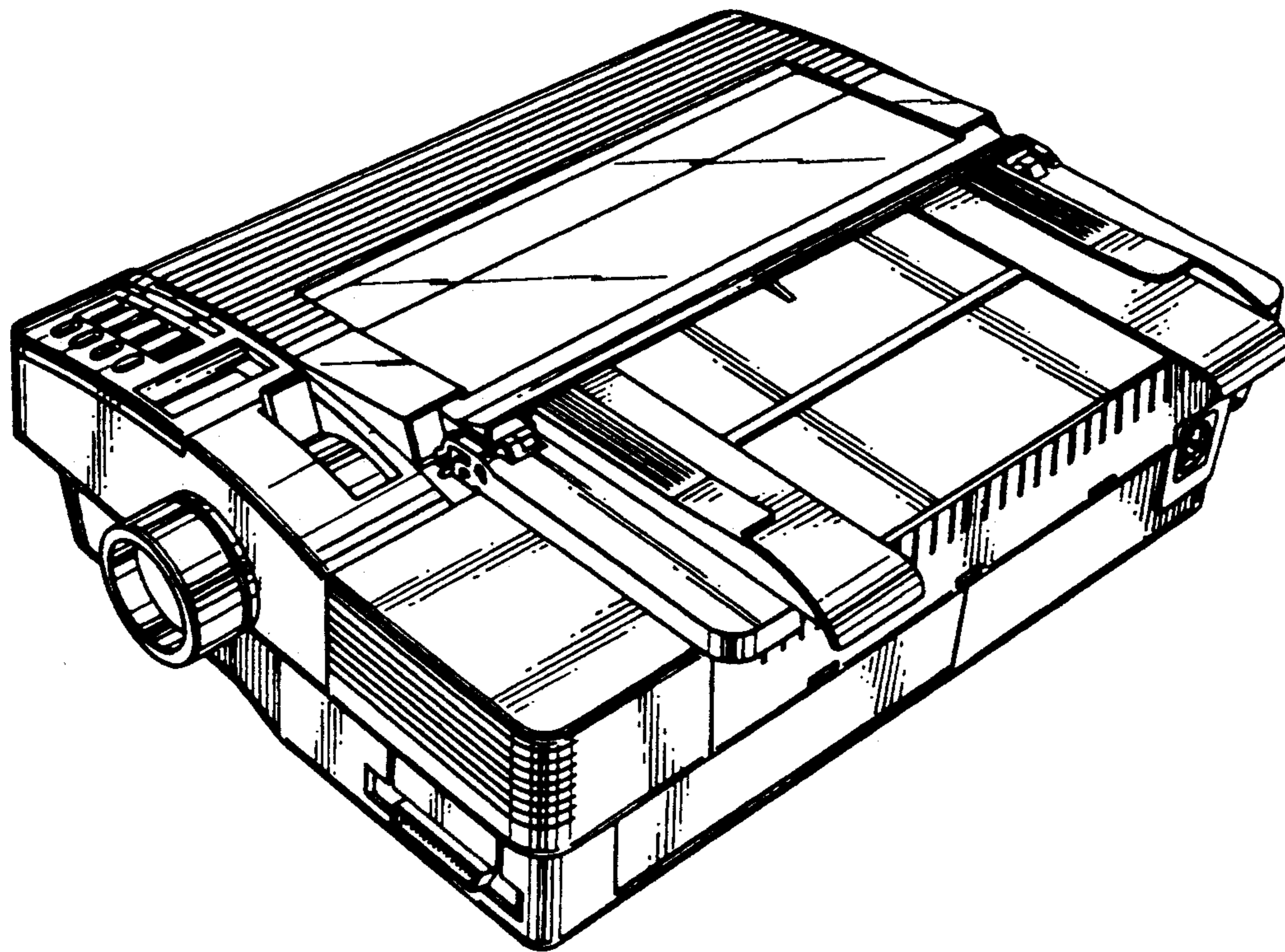


FIG. 9

