



US00D344280S

United States Patent [19]

[11] Patent Number: **Des. 344,280**

Koyama et al.

[45] Date of Patent: **** Feb. 15, 1994**

[54] **INDUSTRIAL ROBOT**

4,620,831 11/1986 Poncet et al. 414/744.3
4,693,663 9/1987 Brenholt et al. D15/199 X

[75] Inventors: **Masataka Koyama; Shinji Fujita,**
both of Hyogo, Japan

Primary Examiner—Nelson C. Holtje
Assistant Examiner—Antoine D. Davis
Attorney, Agent, or Firm—Marshall, O'Toole, Gerstein,
Murray & Borun

[73] Assignee: **Kawasaki Jukogyo Kabushiki Kaisha,**
Kobe, Japan

[**] Term: **14 Years**

[57] **CLAIM**

[21] Appl. No.: **912,640**

The ornamental design for an industrial robot, as shown
and described.

[22] Filed: **Jul. 13, 1992**

DESCRIPTION

[30] **Foreign Application Priority Data**

Jan. 17, 1992 [JP] Japan 4-944

[52] U.S. Cl. **D15/199**

[58] Field of Search 74/89, 103, 479 R, 640,
74/815, 816; 219/121.6; 310/56; 318/568.11;
414/733, 744.3, 744.5, 789.6, 790.9, 799, 917,
918, 902; 901/11, 13, 21, 23, 42, 49; D15/199

FIG. 1 is a front elevational view of an industrial robot
in the upright position;
FIG. 2 is an elevational view thereof showing the left
side thereof;
FIG. 3 is an elevational view showing the right side
thereof;
FIG. 4 is an elevational view showing the back thereof;
FIG. 5 is a top plan view thereof;
FIG. 6 is a front perspective view thereof but with some
parts omitted or moved from the positions shown in
FIGS. 1 to 5 for ease of illustration; and,
FIG. 7 is a bottom plan view thereof.

[56] **References Cited**

U.S. PATENT DOCUMENTS

D. 335,886 5/1993 Currie D15/199
4,606,695 8/1986 Lenz D15/199 X

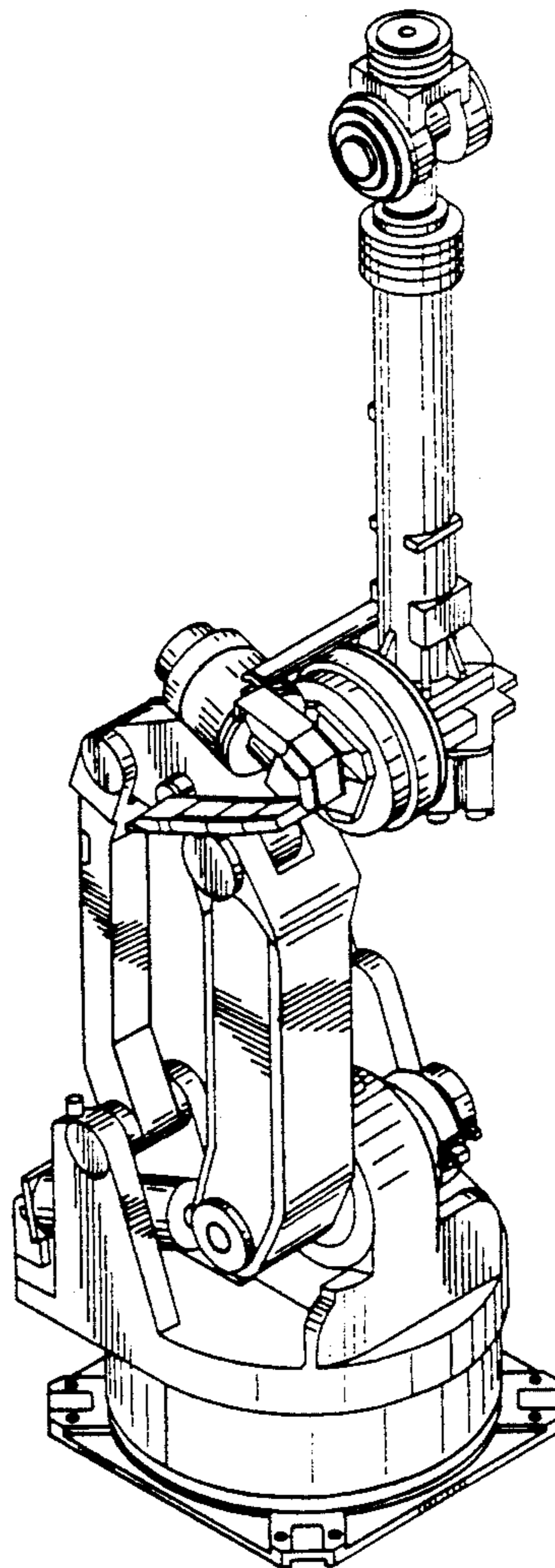


FIG. 1

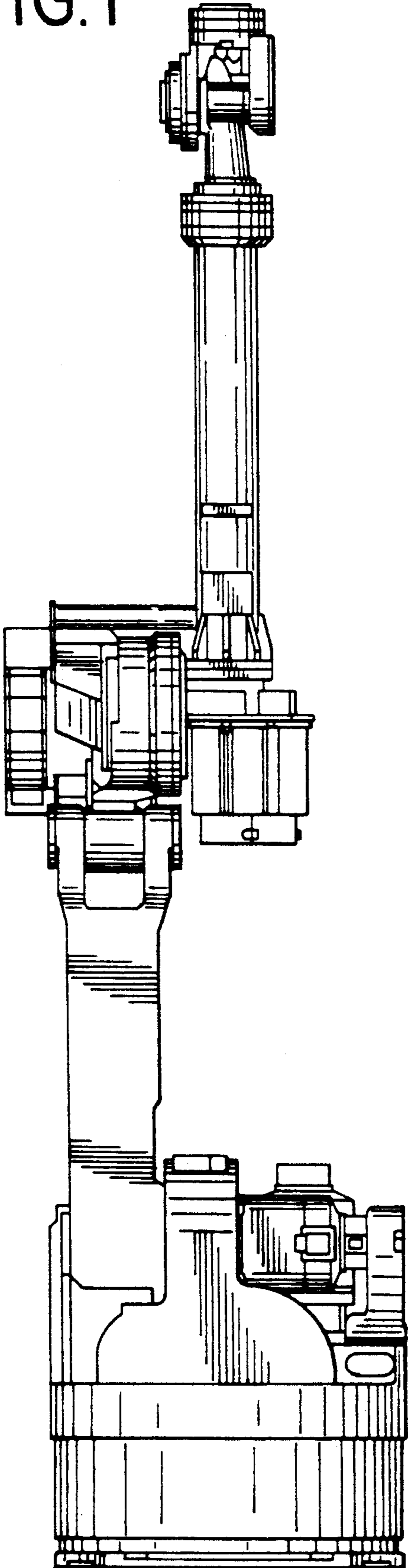


FIG. 2

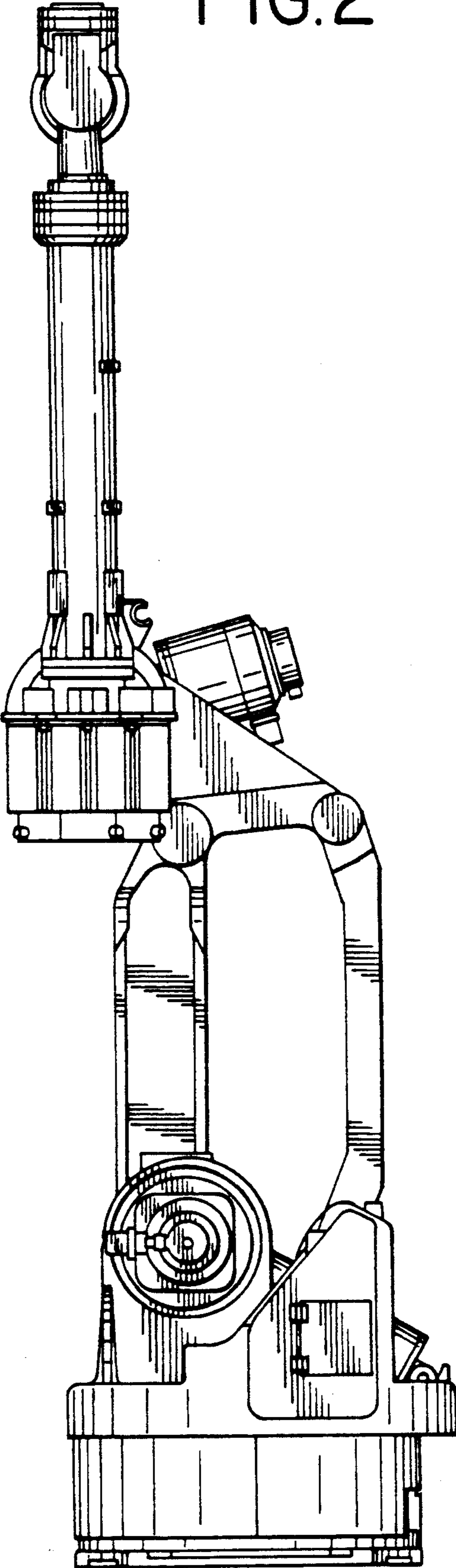


FIG.3

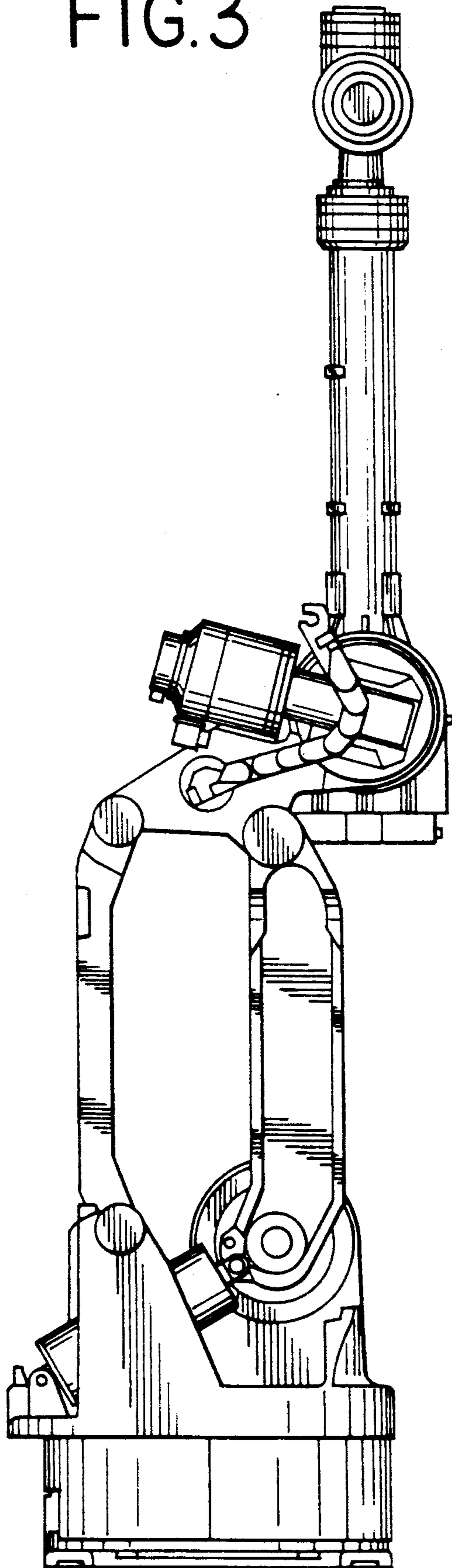


FIG.4

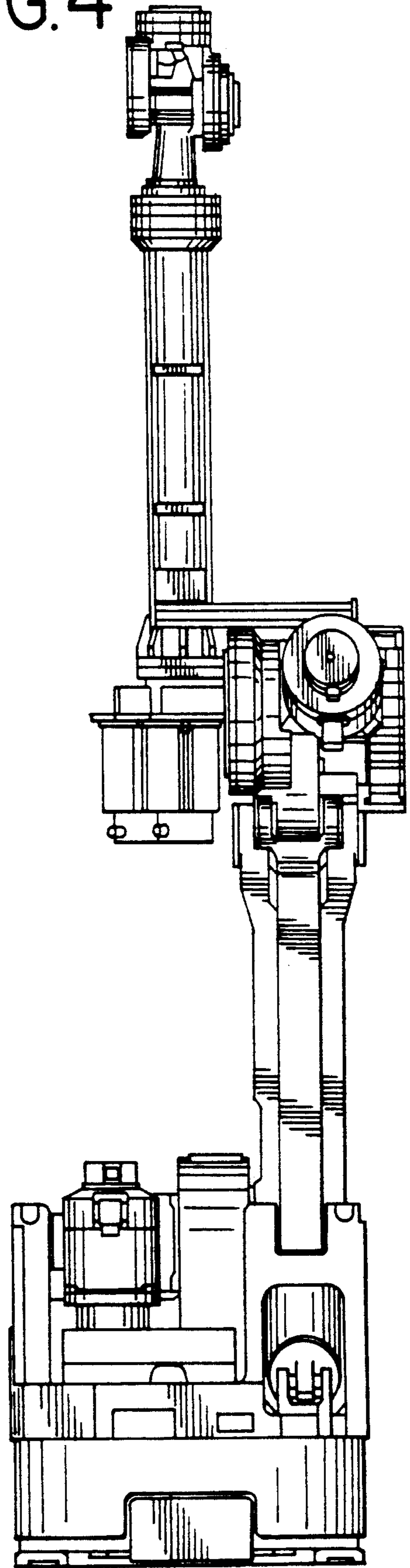


FIG. 5

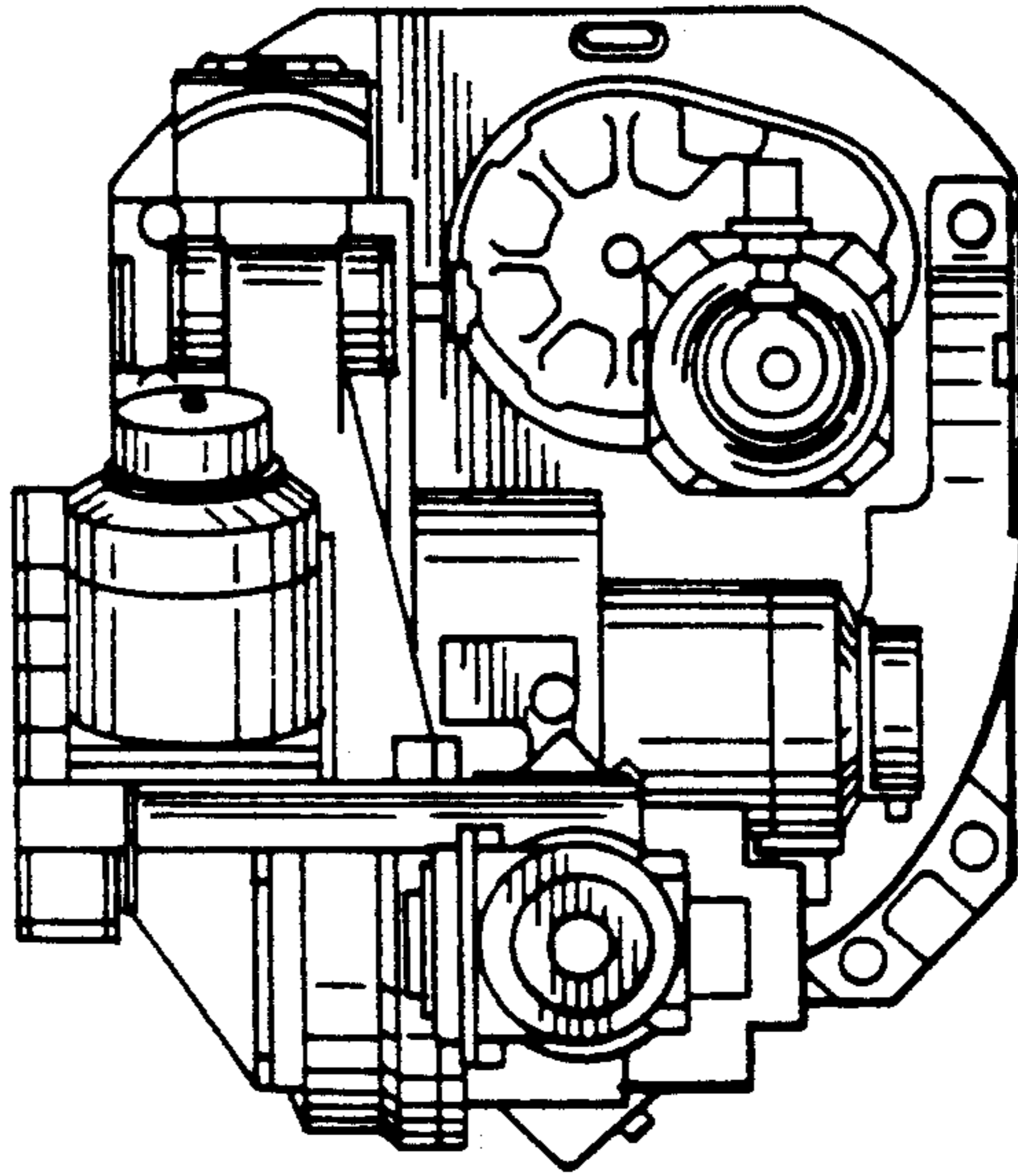


FIG. 7

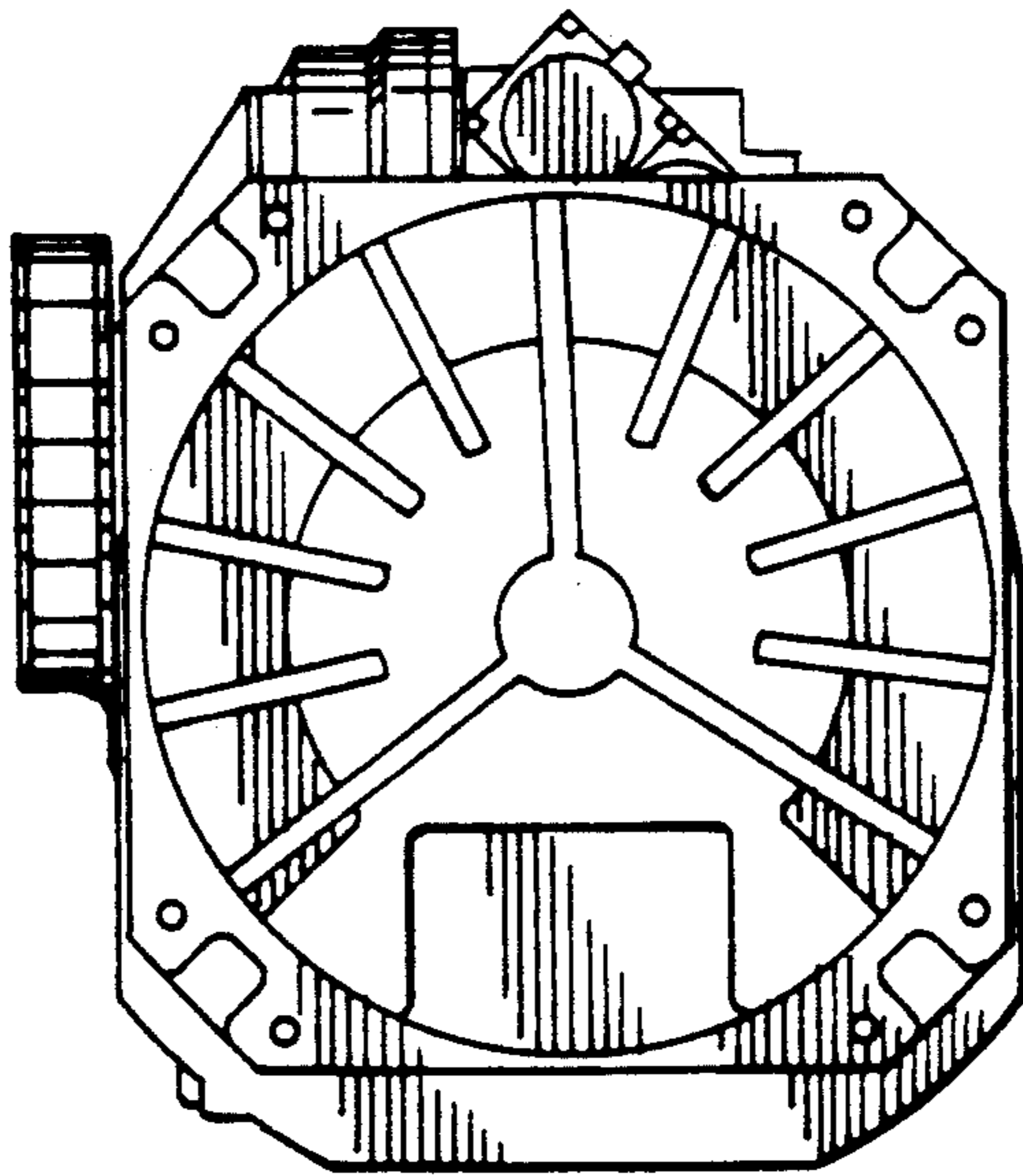


FIG. 6

