



US00D344279S

# United States Patent [19]

**Koyama et al.**

[11] **Patent Number: Des. 344,279**

[45] **Date of Patent: \*\* Feb. 15, 1994**

[54] **INDUSTRIAL ROBOT**

[75] **Inventors: Masataka Koyama, Hyogo; Hirofumi Tanaka, Akashi, both of Japan**

[73] **Assignee: Kawasaki Jukogyo Kabushiki Kaisha, Kobe, Japan**

[\*\*] **Term: 14 Years**

[21] **Appl. No.: 912,639**

[22] **Filed: Jul. 13, 1992**

[30] **Foreign Application Priority Data**

Jan. 17, 1992 [JP] Japan ..... H.4-945  
 [52] **U.S. Cl.** ..... **D15/199**  
 [58] **Field of Search** ..... 74/89, 103, 479 R, 640,  
 74/815, 816; 219/121.6; 310/56; 318/568.11;  
 414/733, 744.5, 744.3, 789.6, 790.9, 792.9, 799,  
 902, 917, 918; 901/11, 13, 15, 9, 21, 23, 42, 49;  
 D15/199

[56] **References Cited**

**U.S. PATENT DOCUMENTS**

D. 335,886 5/1993 Currie ..... D15/199

4,606,695 8/1986 Lenz ..... D15/199 X  
 4,620,831 11/1986 Poncet et al. .... 414/744.3  
 4,693,663 9/1987 Brenholt et al. .... D15/199 X

*Primary Examiner*—Nelson C. Holtje  
*Assistant Examiner*—Antoine D. Davis  
*Attorney, Agent, or Firm*—Marshall, O'Toole, Gerstein,  
 Murray & Borun

[57] **CLAIM**

The ornamental design for an industrial robot, as shown and described.

**DESCRIPTION**

FIG. 1 is a front elevational view of an industrial robot in the upright position;  
 FIG. 2 is an elevational view thereof showing the left side thereof;  
 FIG. 3 is an elevational view showing the right side thereof;  
 FIG. 4 is an elevational view showing the back thereof;  
 FIG. 5 is a top plan view thereof;  
 FIG. 6 is a front perspective view thereof but with some parts omitted or moved from the positions shown in FIGS. 1 to 5 for ease of illustration; and,  
 FIG. 7 is a bottom plan view thereof.

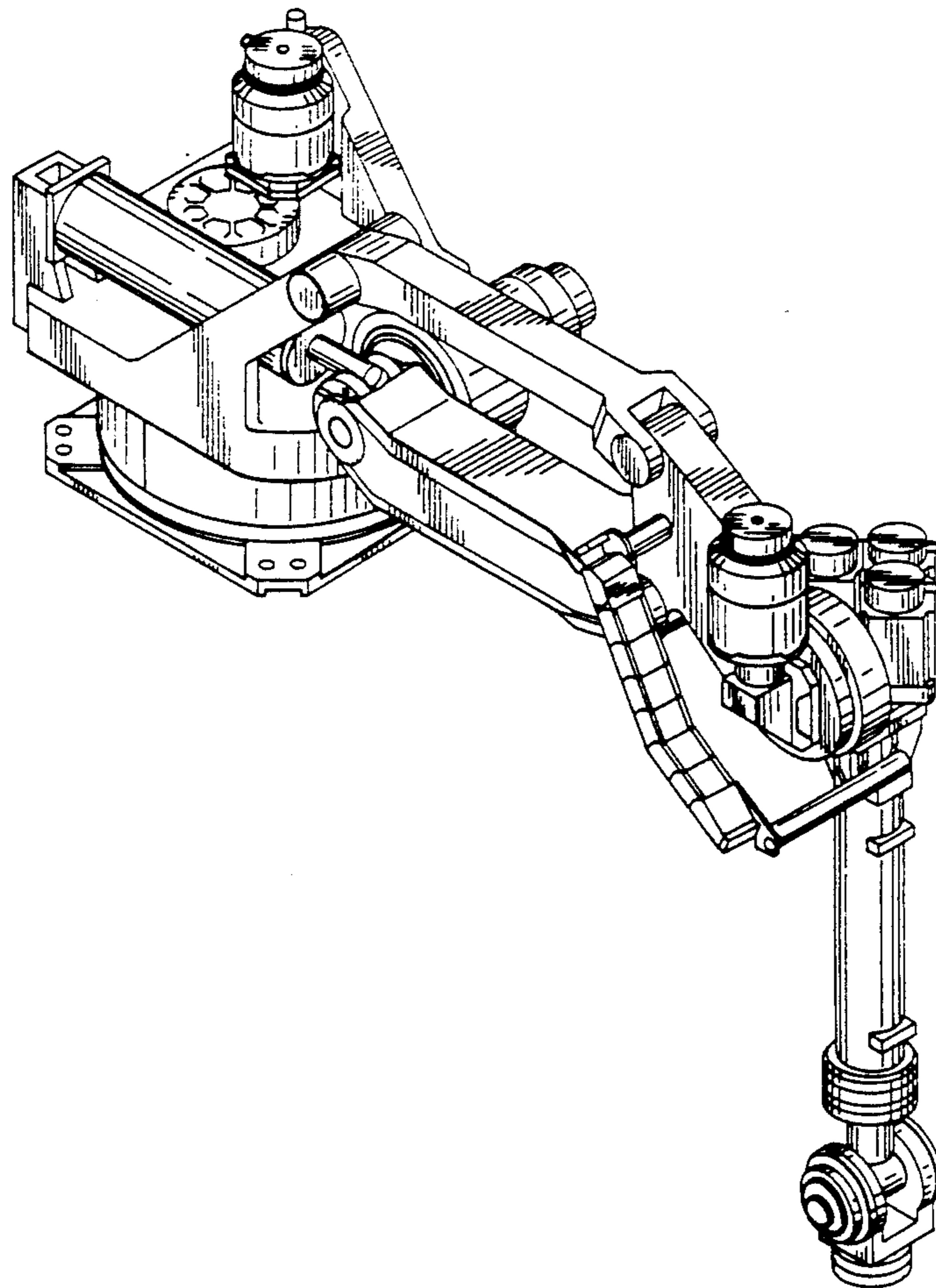


FIG. 2

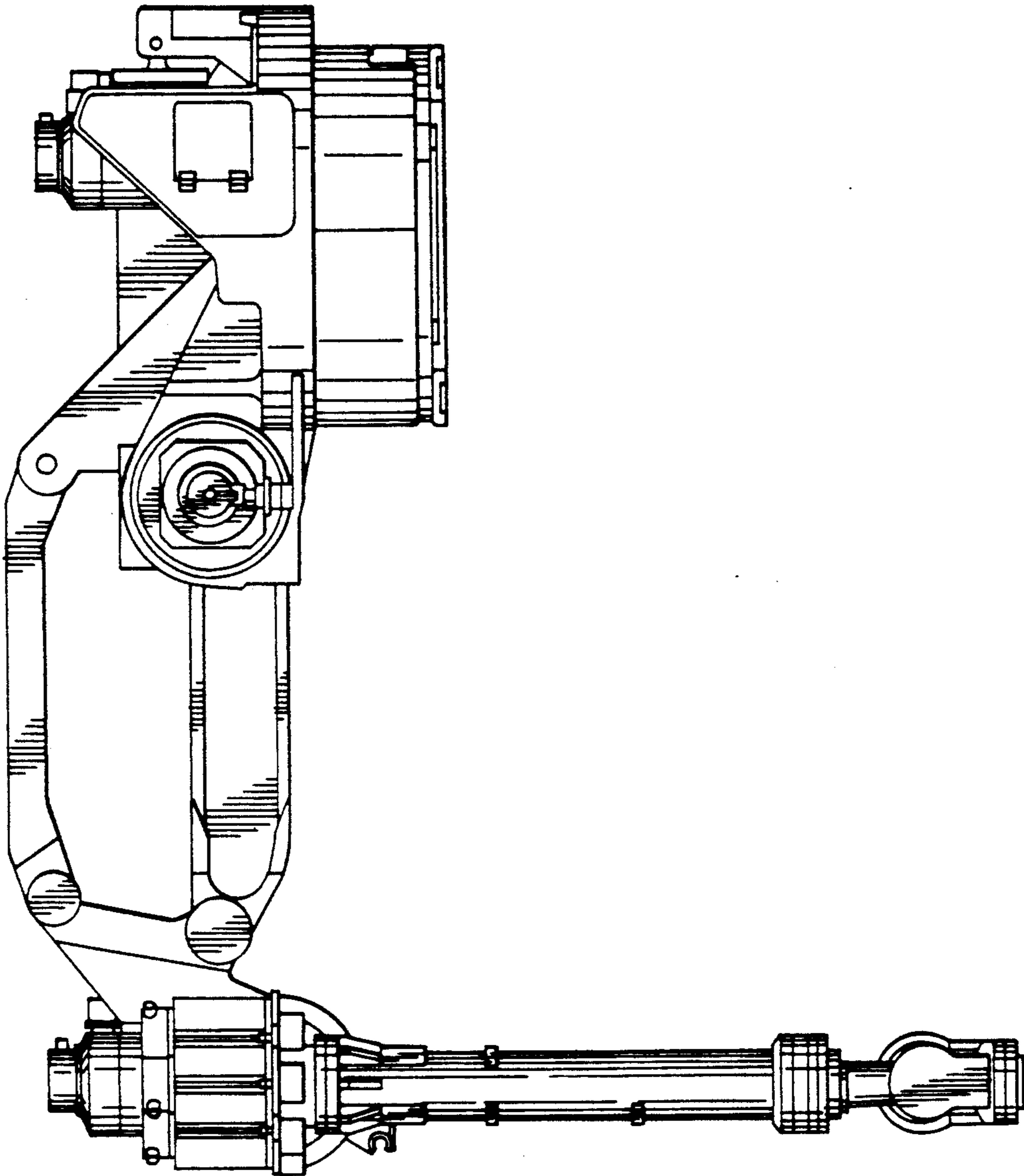


FIG. 1

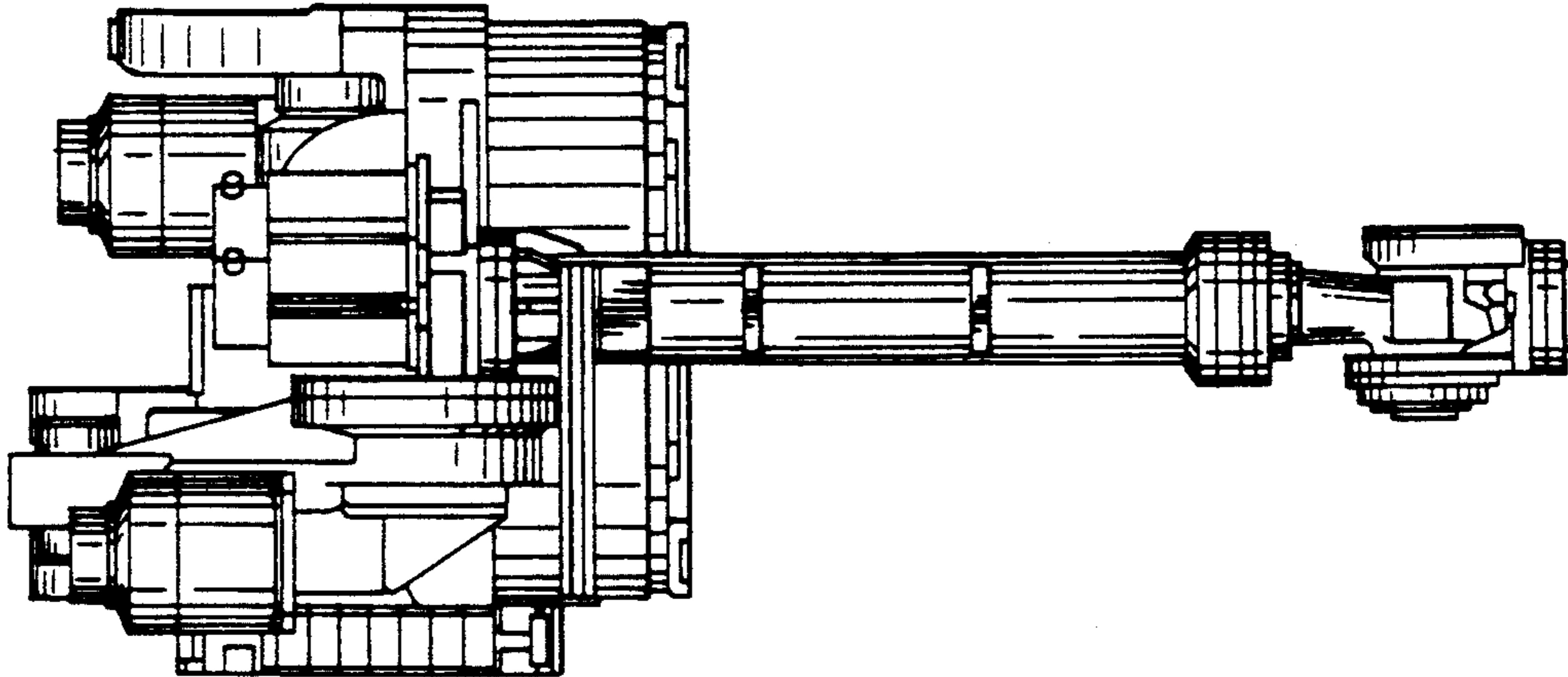


FIG. 4

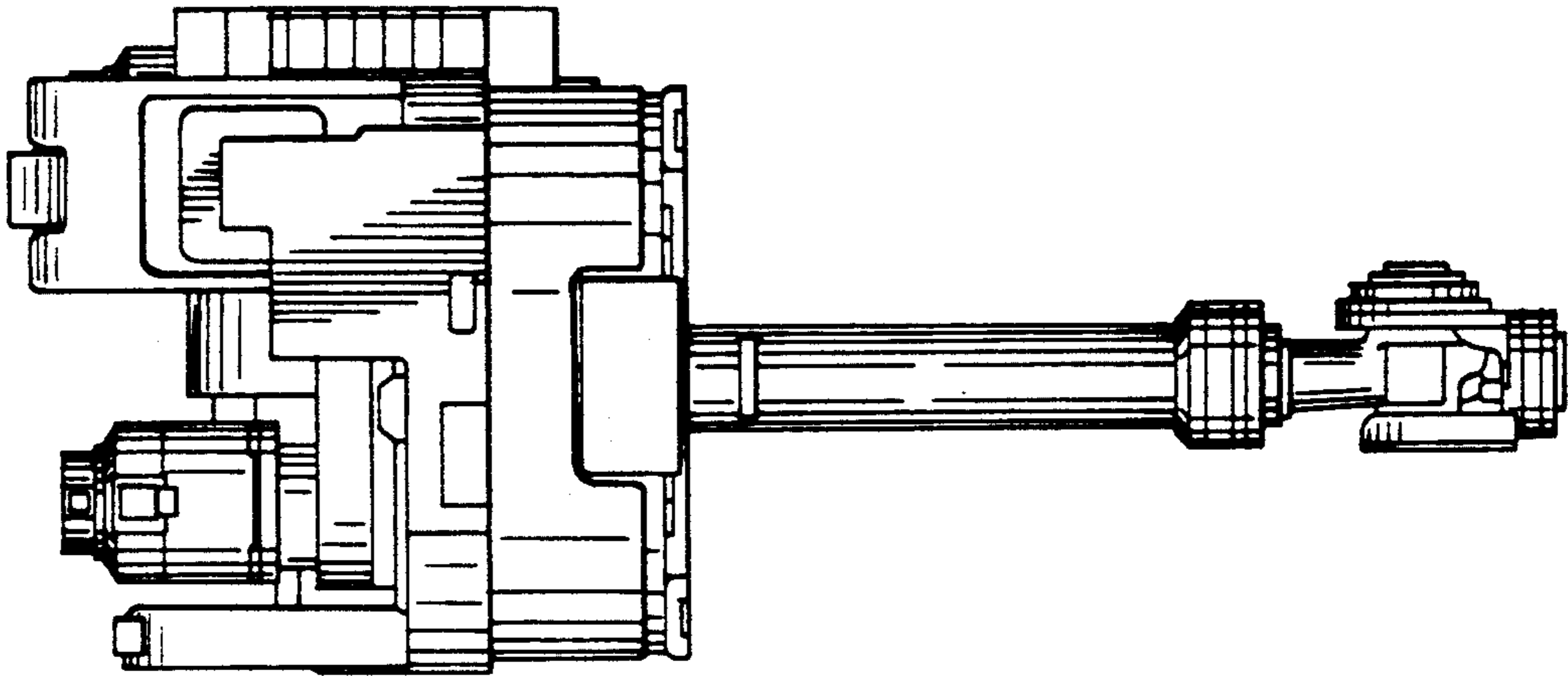


FIG. 3

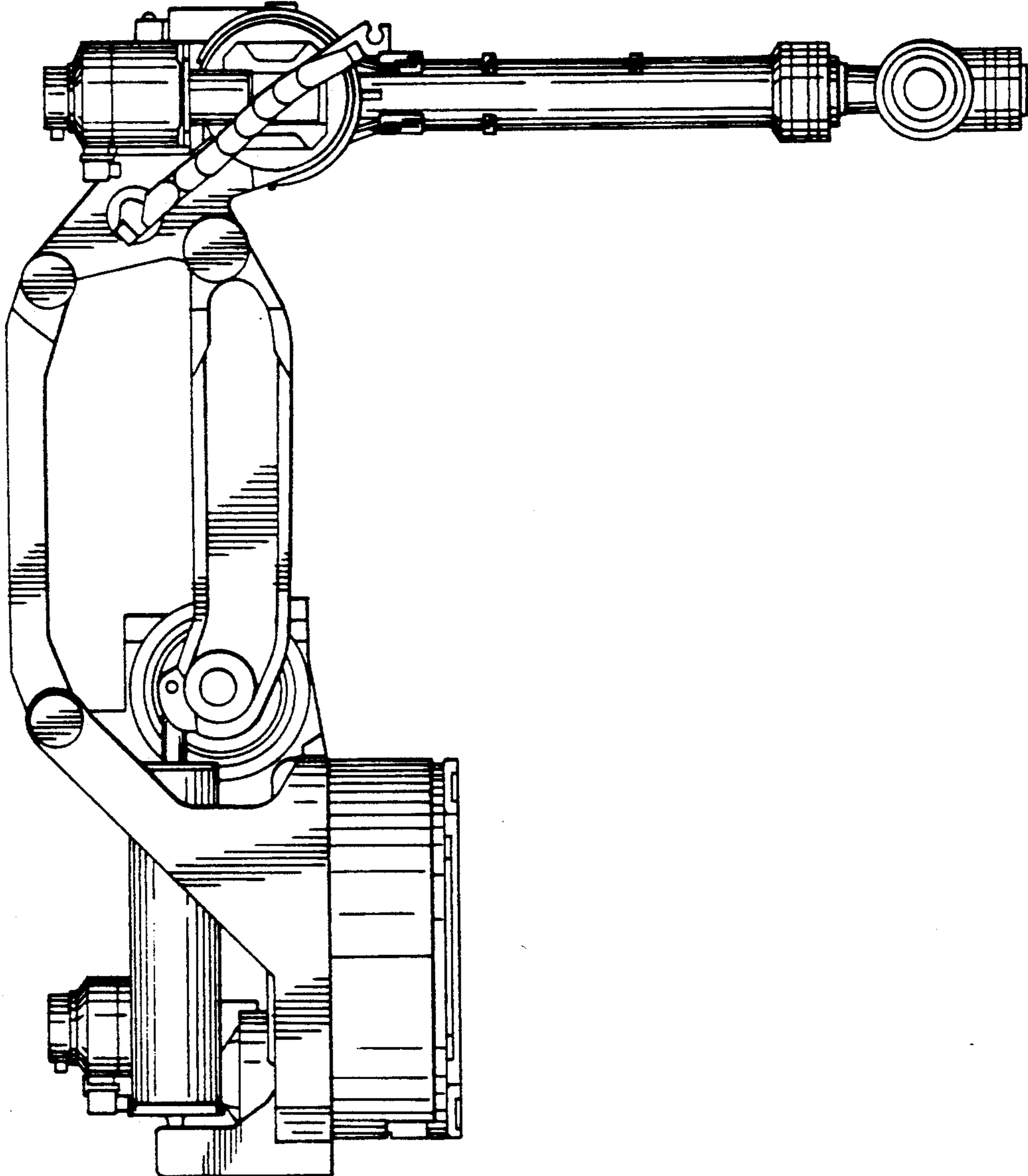


FIG. 5

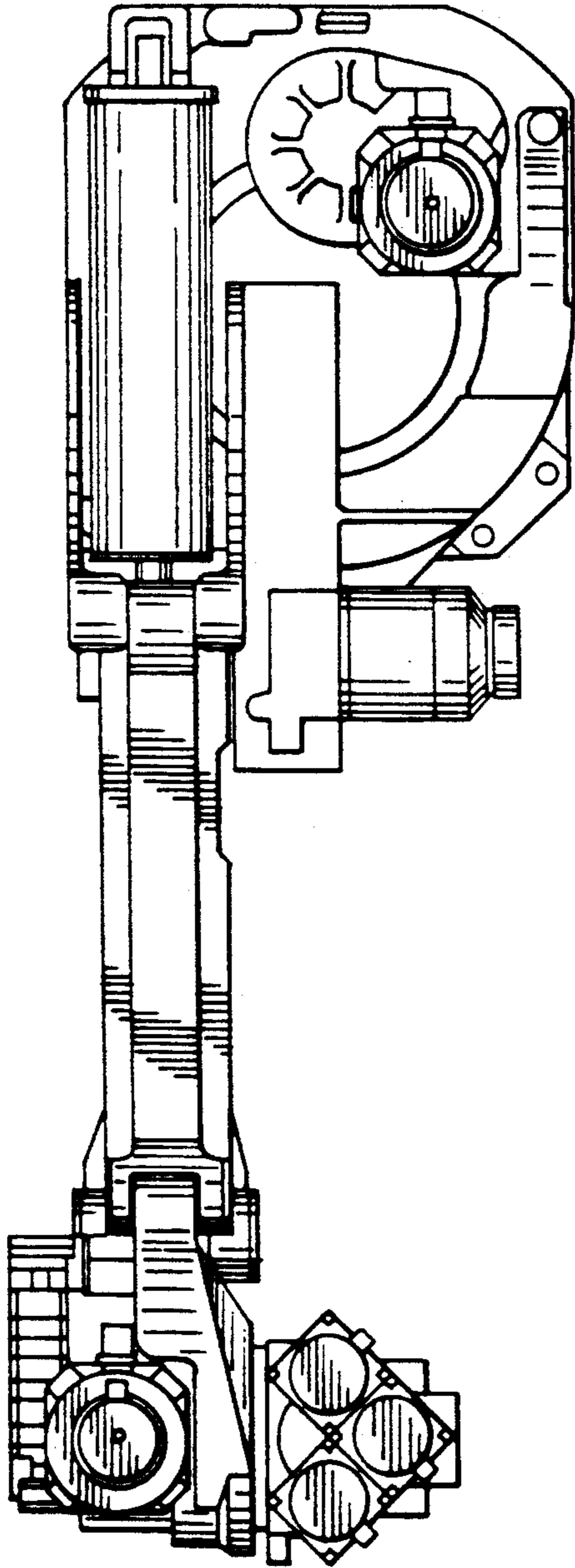


FIG. 7

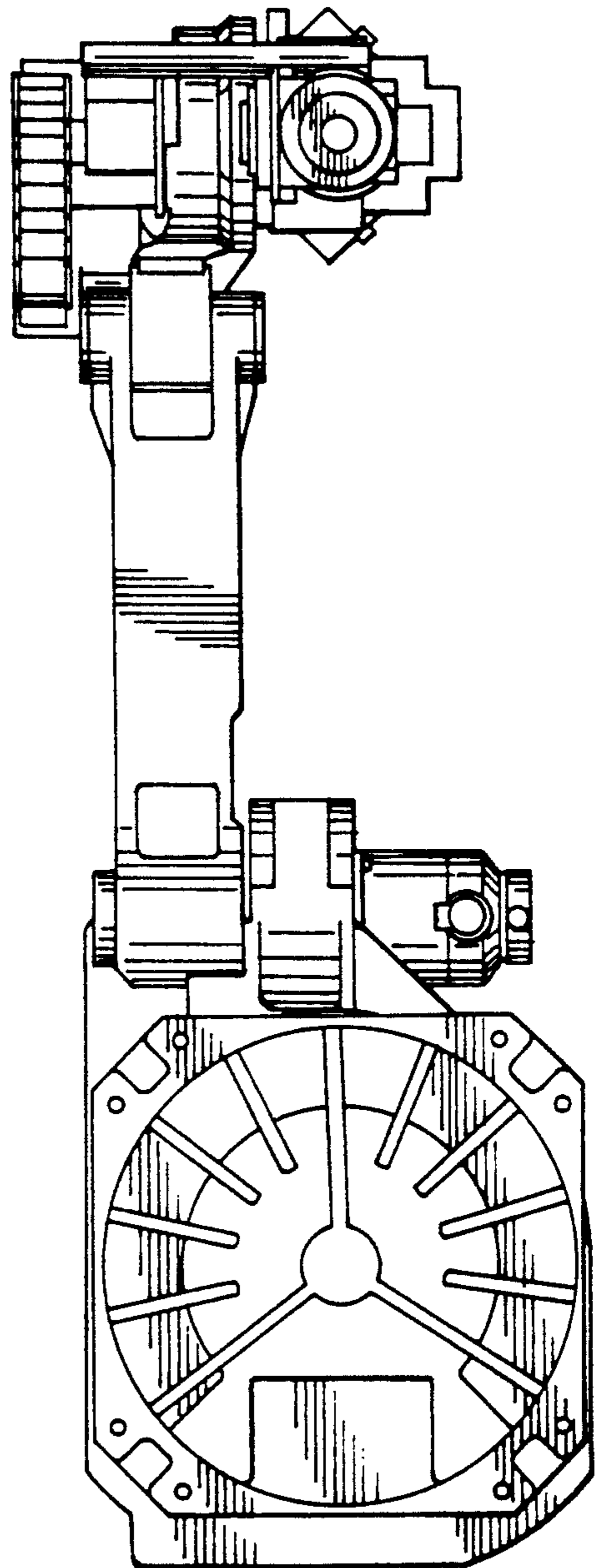


FIG. 6

