



US00D344278S

United States Patent [19] Cole

[11] Patent Number: **Des. 344,278**

[45] Date of Patent: **** Feb. 15, 1994**

[54] **CONTAINER FOR COLLECTING OIL**

[76] Inventor: **Tommy D. Cole, 4606 Misty Valley W., Wichita Falls, Tex. 76310-2216**

[**] Term: **14 Years**

[21] Appl. No.: **2,091**

[22] Filed: **Dec. 3, 1992**

[52] U.S. Cl. **D15/150; D15/151**

[58] Field of Search **D7/300, 306; 141/98, 141/339; 184/106; 220/571-573; D15/150-152; D23/200-203, 211, 212**

[56] **References Cited**

U.S. PATENT DOCUMENTS

D. 125,802	3/1941	Phillips et al.	D15/152
1,951,498	3/1934	Whitney	184/1.5
4,114,660	9/1978	Arruda	141/98
4,702,290	10/1987	Perez	141/332

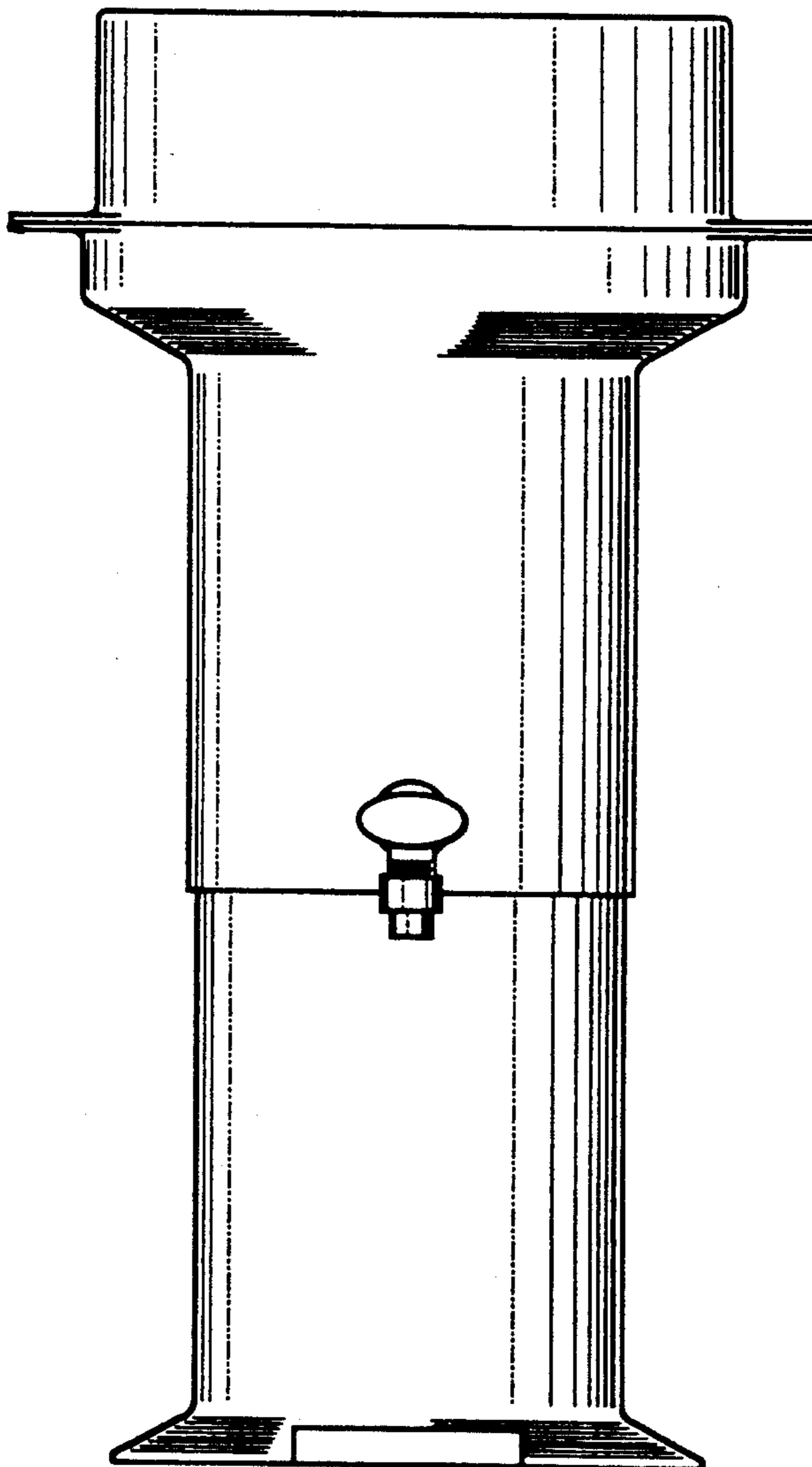
Primary Examiner—Nelson C. Holtje
Assistant Examiner—Antoine D. Davis
Attorney, Agent, or Firm—Timmons & Kelly

[57] **CLAIM**

The ornamental design for a container for collecting oil, as shown and described.

DESCRIPTION

FIG. 1 is a front elevational view of a container for collecting oil showing my new design; FIG. 2 is a right side elevational view thereof, the left side elevational view being a mirror image thereof; FIG. 3 is a rear elevational view thereof; FIG. 4 is a rear elevational view thereof, with the cover removed; FIG. 5 is a top plan view thereof; FIG. 6 is a top plan view thereof, with the cover removed; and, FIG. 7 is a bottom plan view thereof.



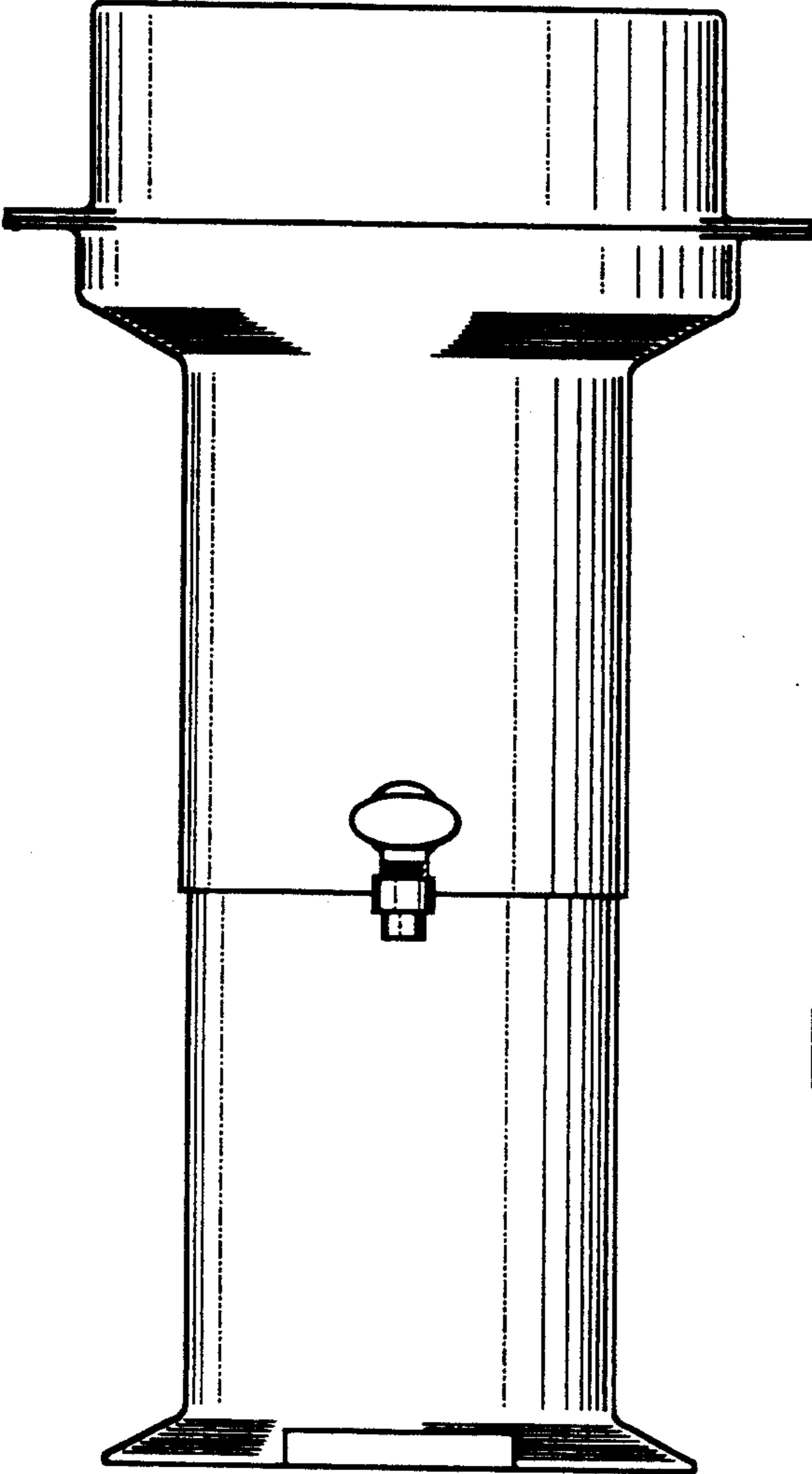


Fig. 1

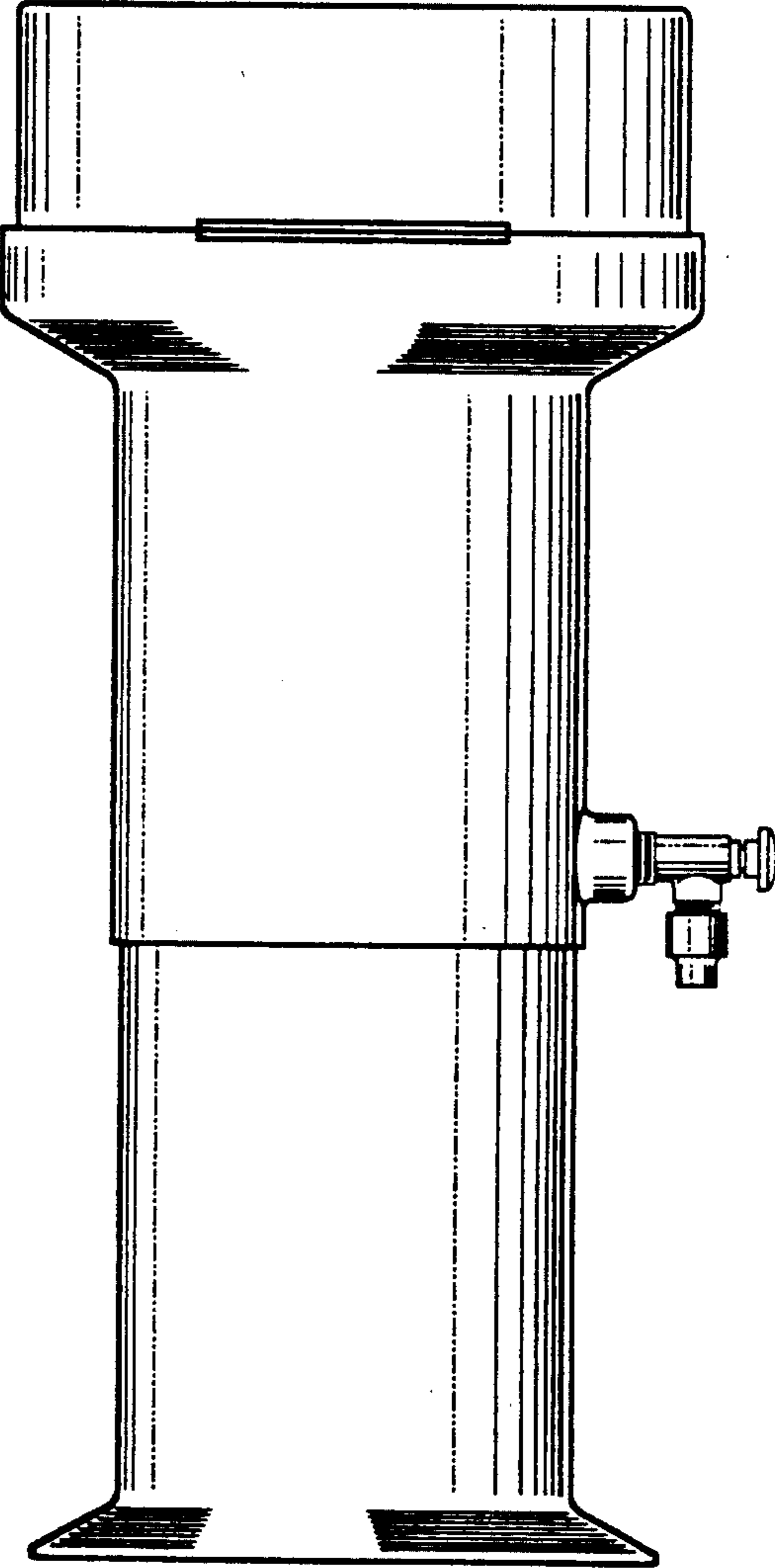


Fig. 2

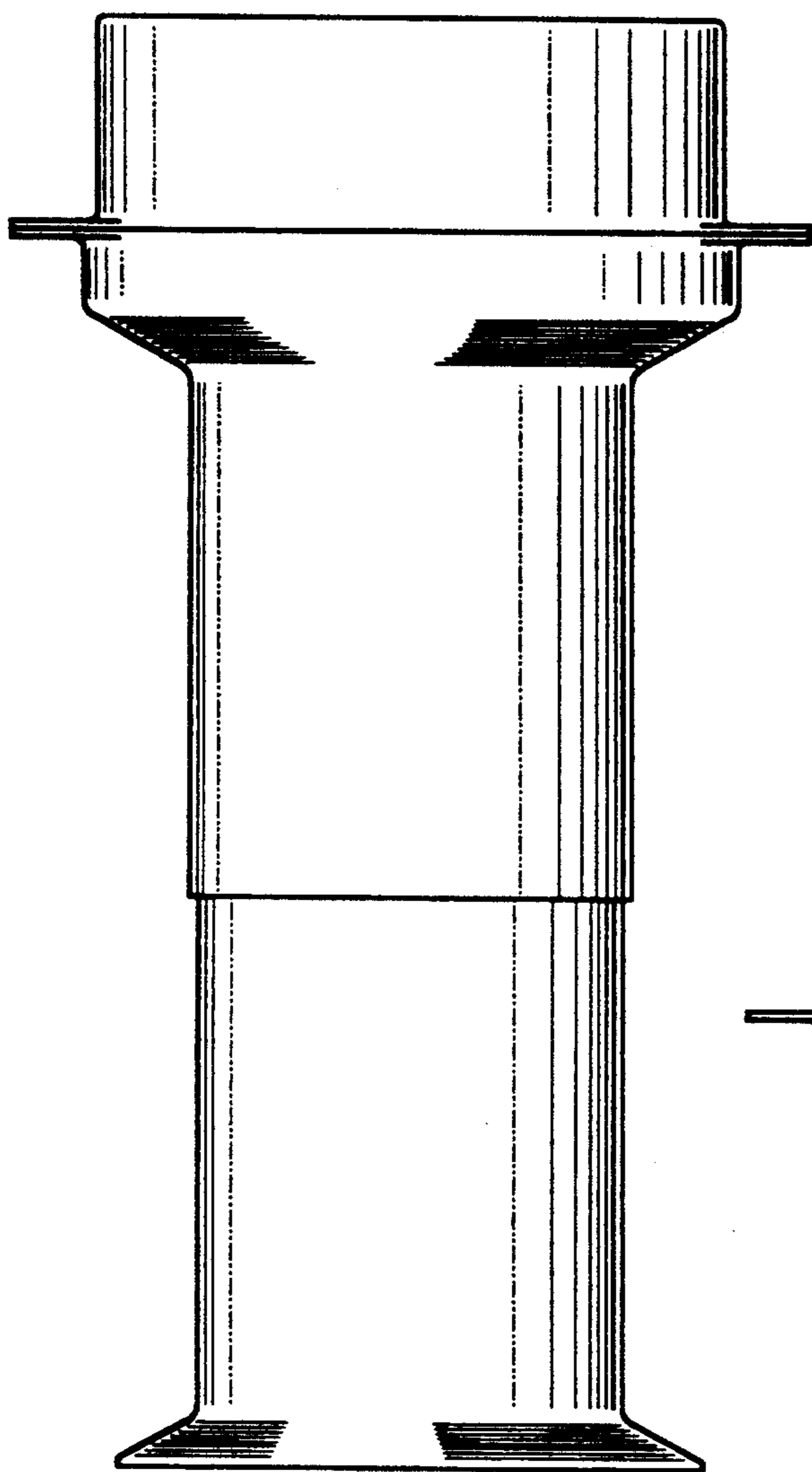


Fig.3

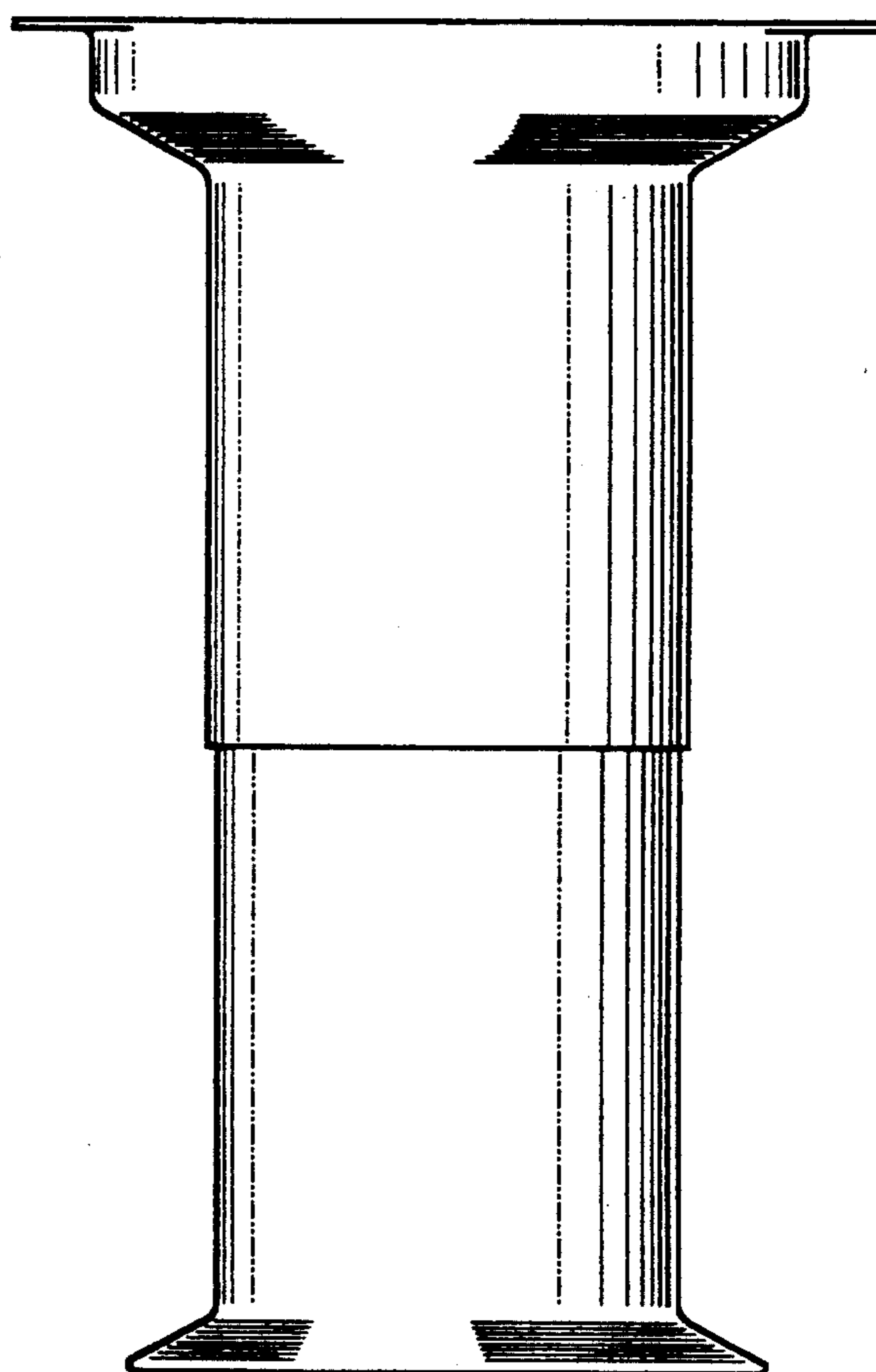


Fig.4

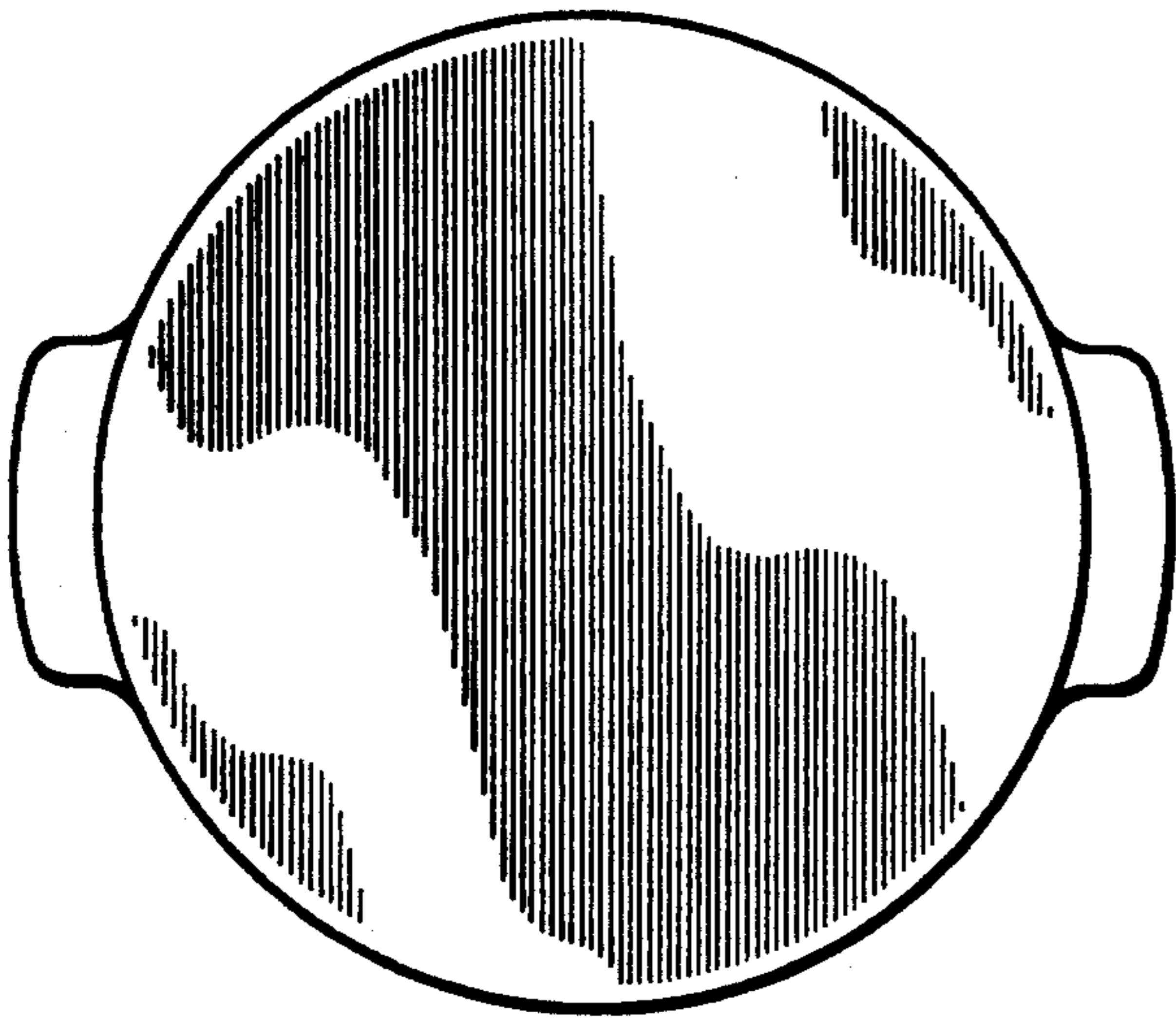


Fig.5

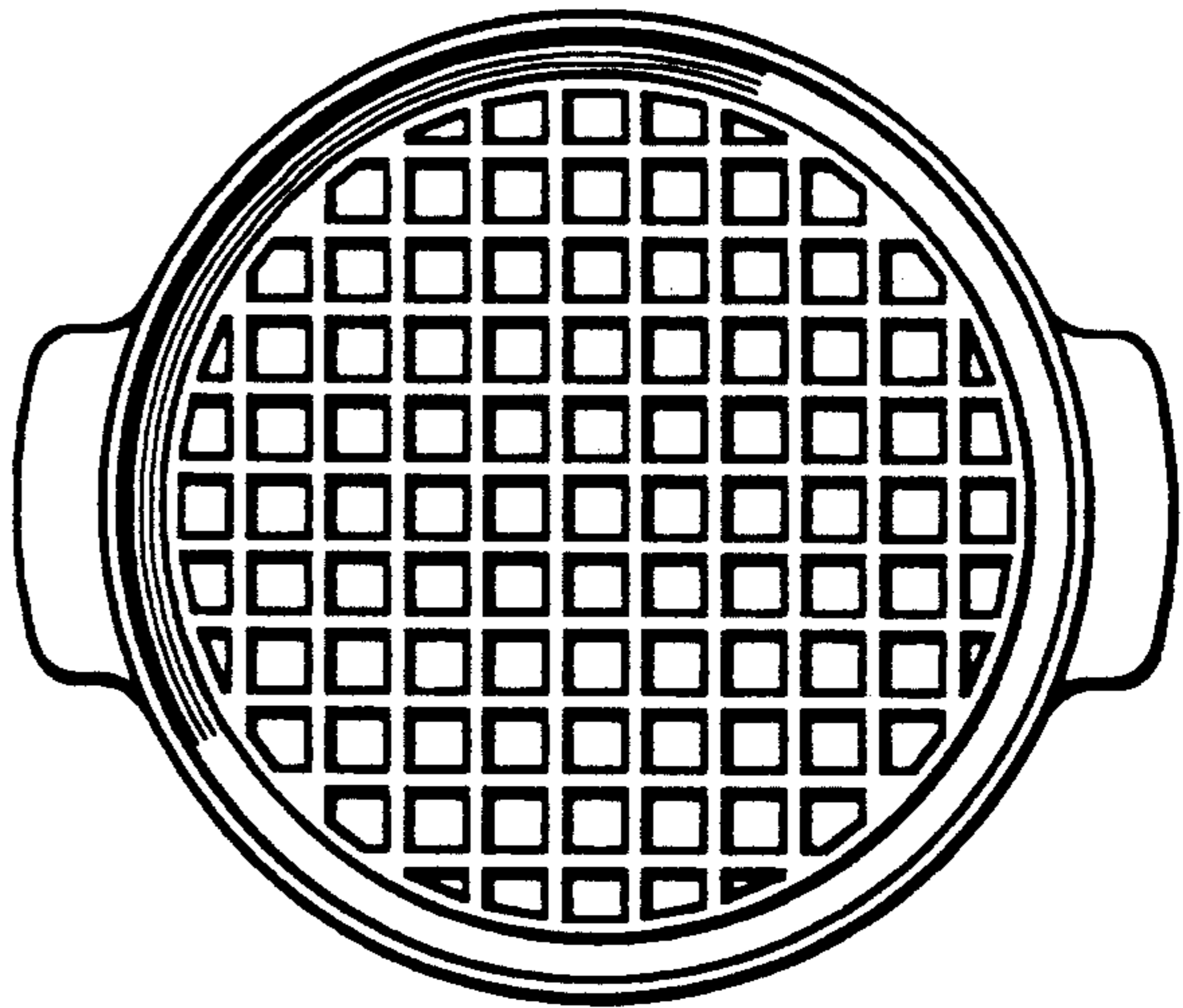


Fig.6

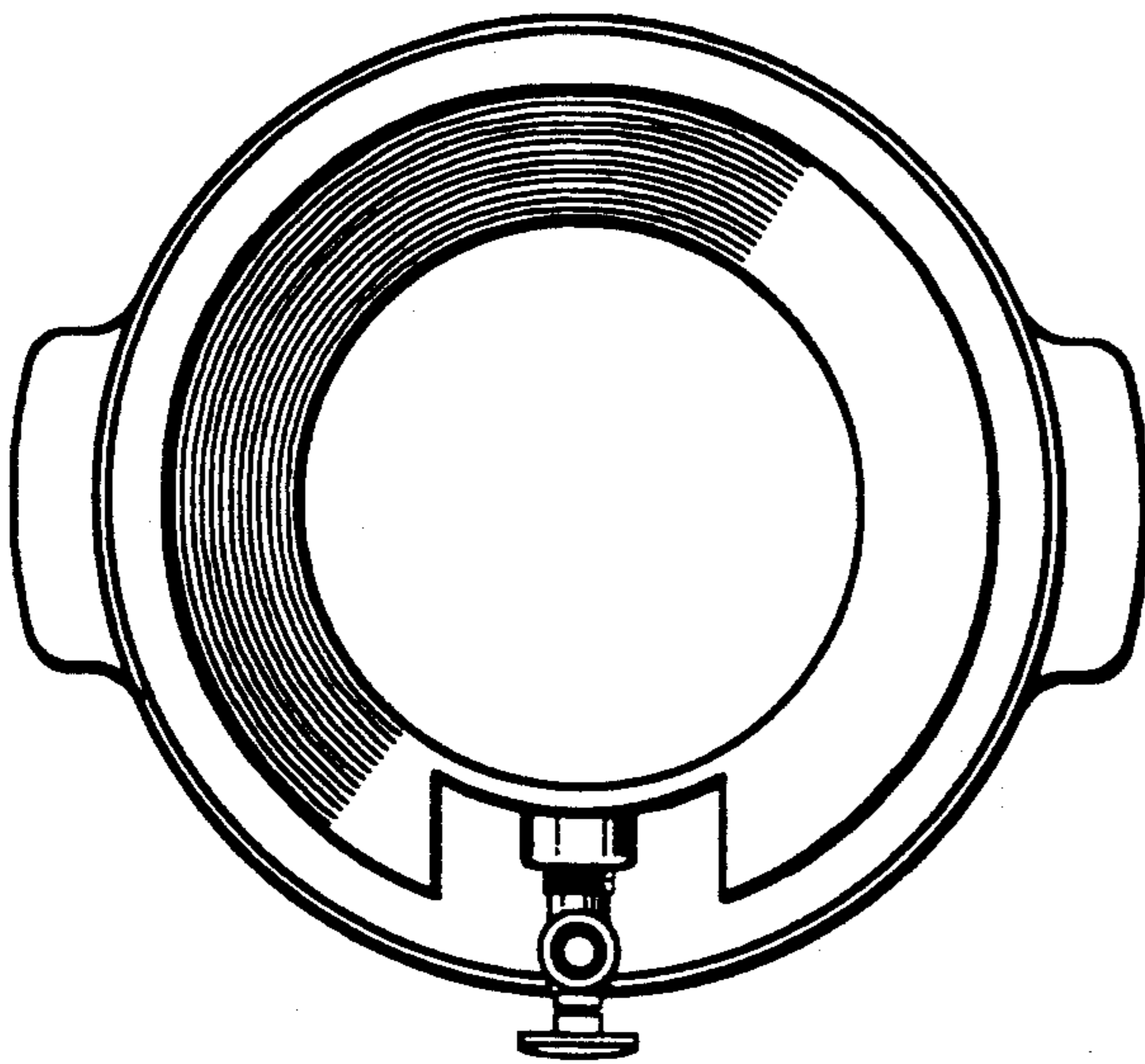


Fig.7