



US00D344274S

United States Patent [19]

[11] Patent Number: **Des. 344,274**

Panzica

[45] Date of Patent: **** Feb. 15, 1994**

[54] **TAPPET BLOCK COVER**

[75] Inventor: **Ignatius J. Panzica**, Morgan Hill, Calif.

[73] Assignee: **Custom Chrome, Inc.**, Morgan Hill, Calif.

[**] Term: **14 Years**

[21] Appl. No.: **764,397**

[22] Filed: **Sep. 23, 1991**

[52] U.S. Cl. **D15/5**

[58] Field of Search 123/90, 38, 195 C, 198 E, 123/196 R; D15/1-6

[56] **References Cited**

U.S. PATENT DOCUMENTS

D. 252,878	9/1979	Bellino et al.	D15/5
D. 305,767	1/1990	Tauschke	D15/5
D. 306,735	3/1990	Finley	D15/5
D. 324,867	3/1992	Lyndhurst et al.	D15/5

Primary Examiner—A. Hugo Word

Assistant Examiner—R. Seifert
Attorney, Agent, or Firm—William W. Haefliger

[57] **CLAIM**

The ornamental design for tappet block cover, as shown and described.

DESCRIPTION

FIG. 1 is a top plan of the tappet block cover; the bottom of that tappet block cover being flat;
 FIG. 2 is a front elevational view of the FIG. 1 tappet block cover;
 FIG. 3 is a left side view of the FIG. 1 tappet block cover;
 FIG. 4 is a right side view of the tappet block cover of FIG. 1;
 FIG. 5 is a rear elevational view of the tappet block cover of FIG. 1;
 FIG. 6 is a bottom plan view of the FIG. 1 tappet block cover; and,
 FIG. 7 is a top plan view of a tappet block cover showing a second embodiment of my new design, the views of the second embodiment are essentially the same as FIGS. 2-6, except that they are a mirror image.

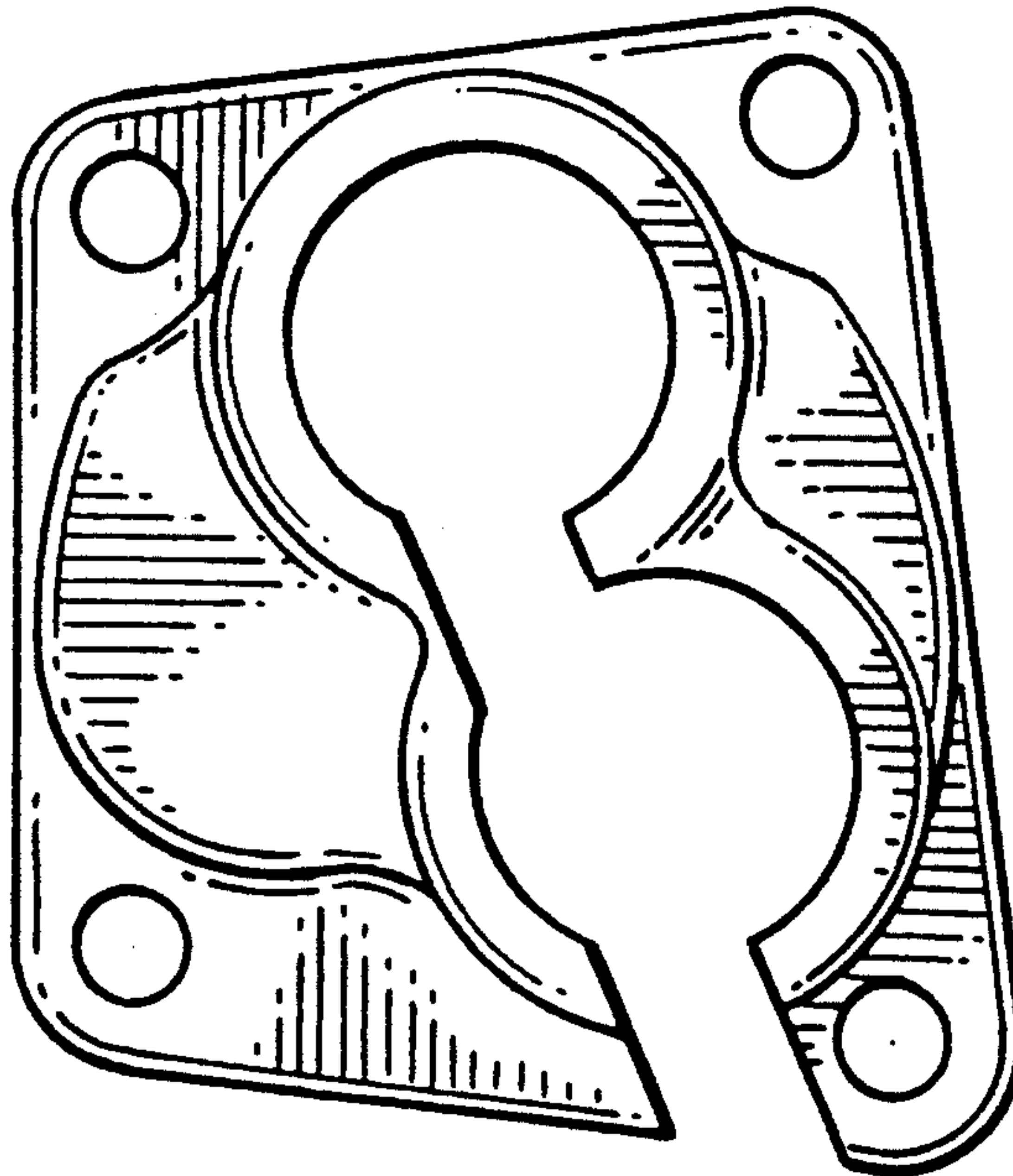


FIG. 1.

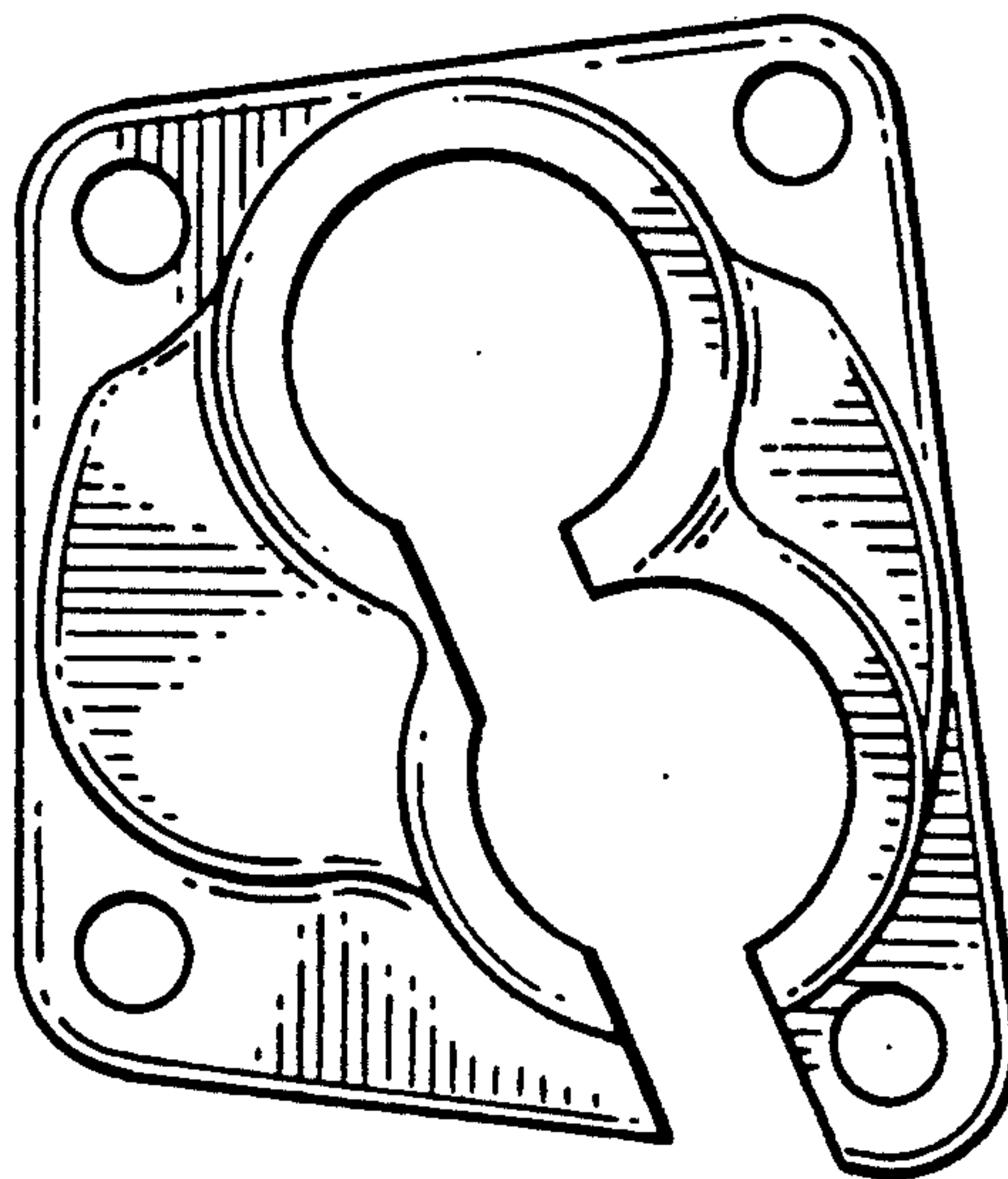


FIG. 2.

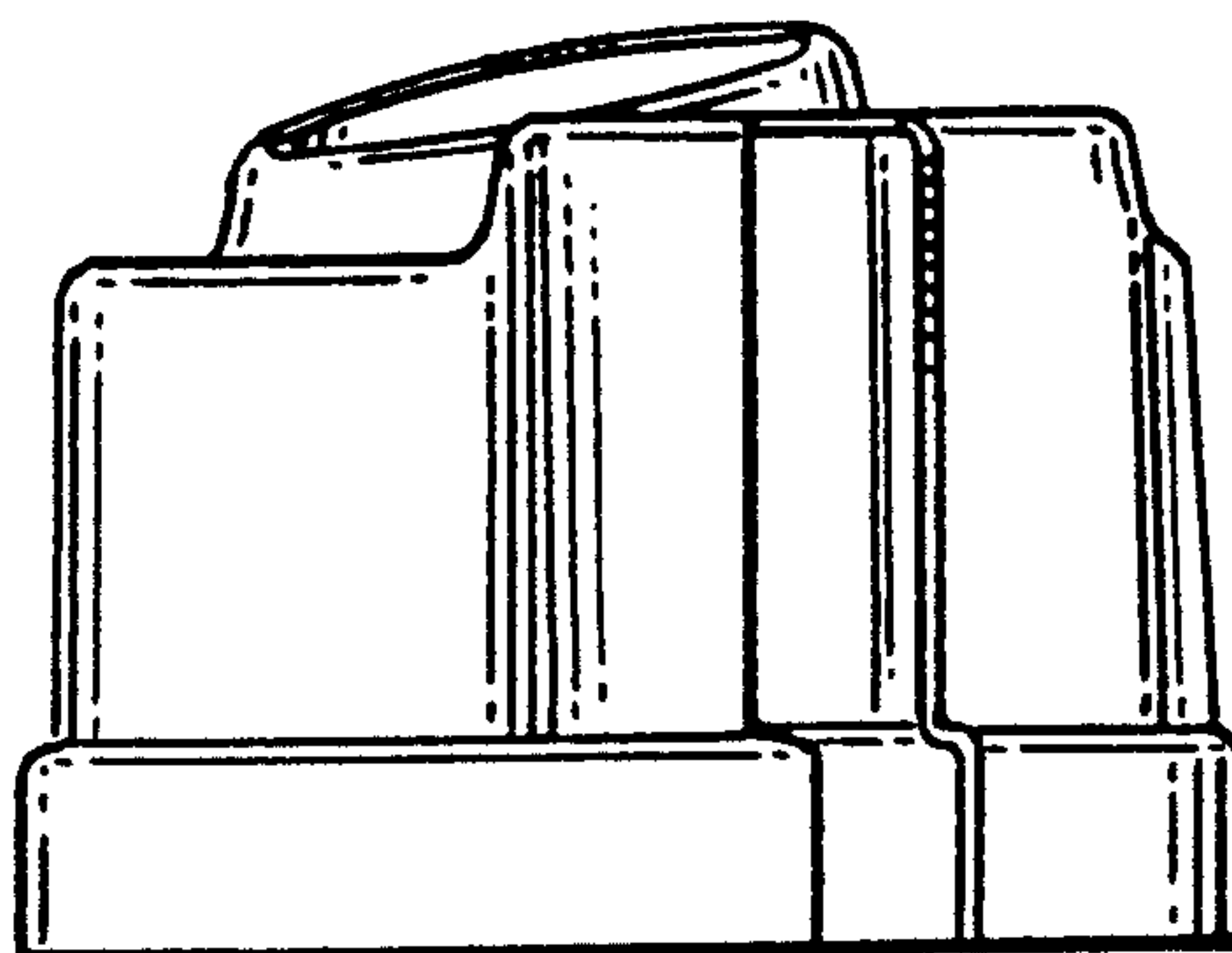


FIG. 3.

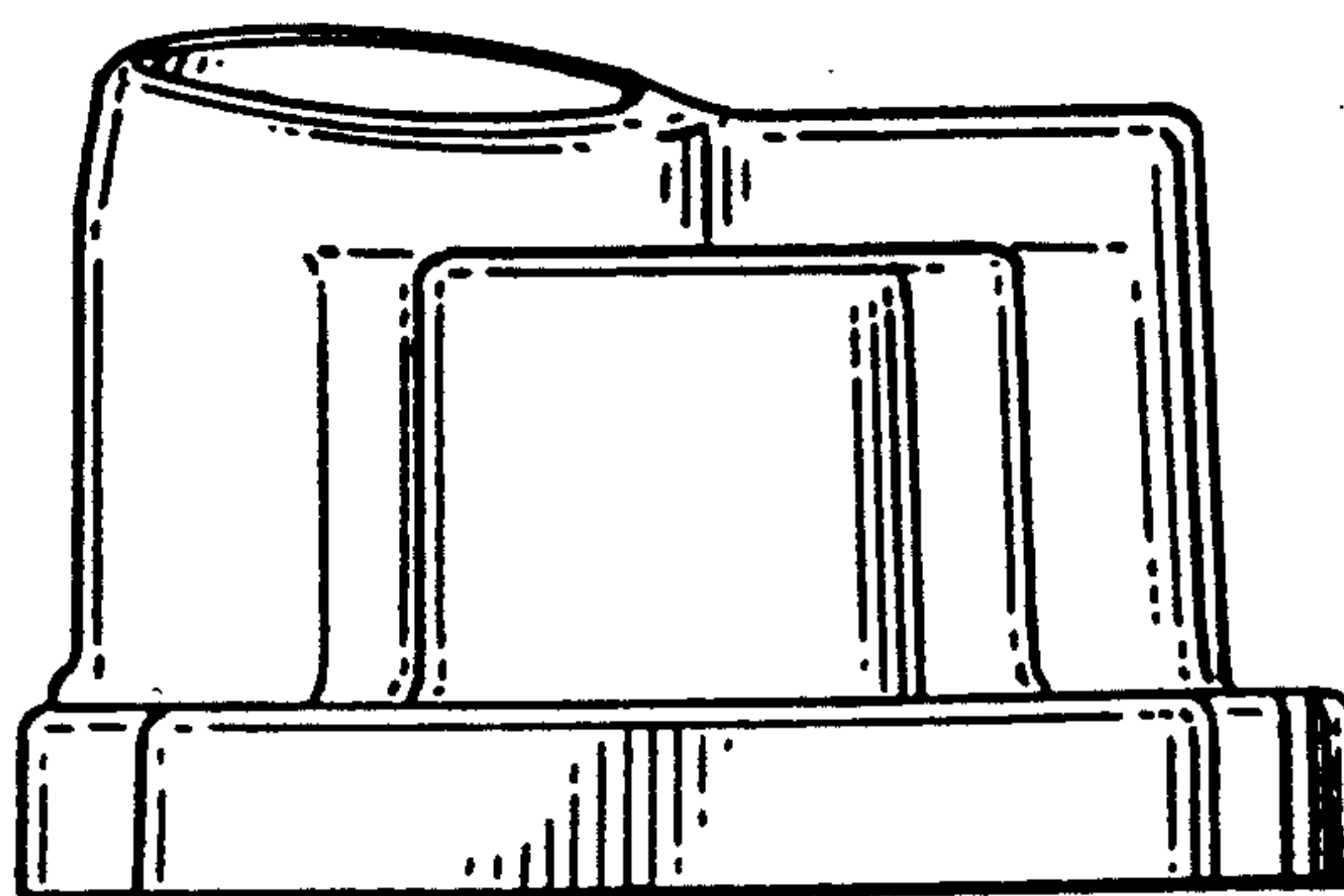


FIG. 4.

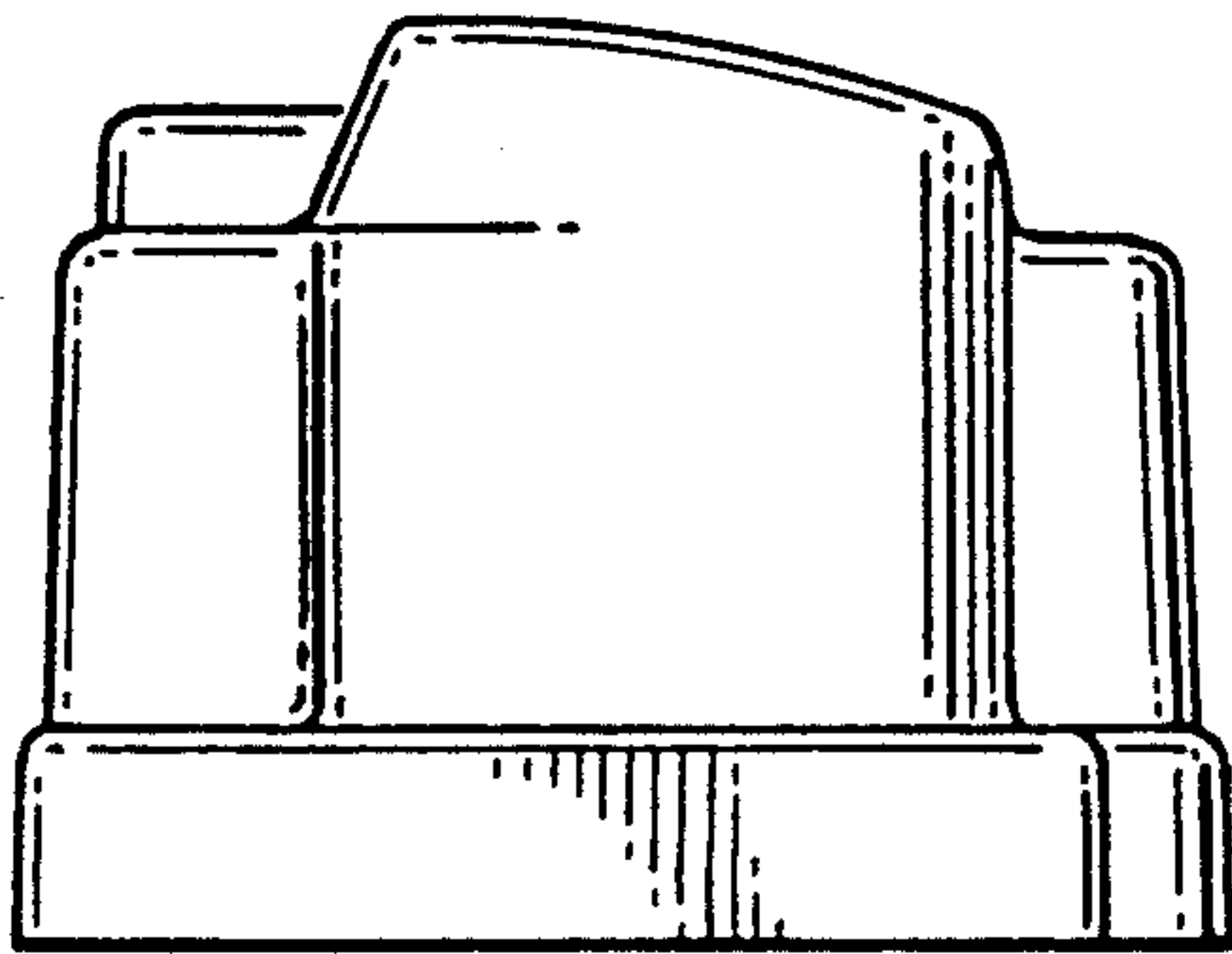
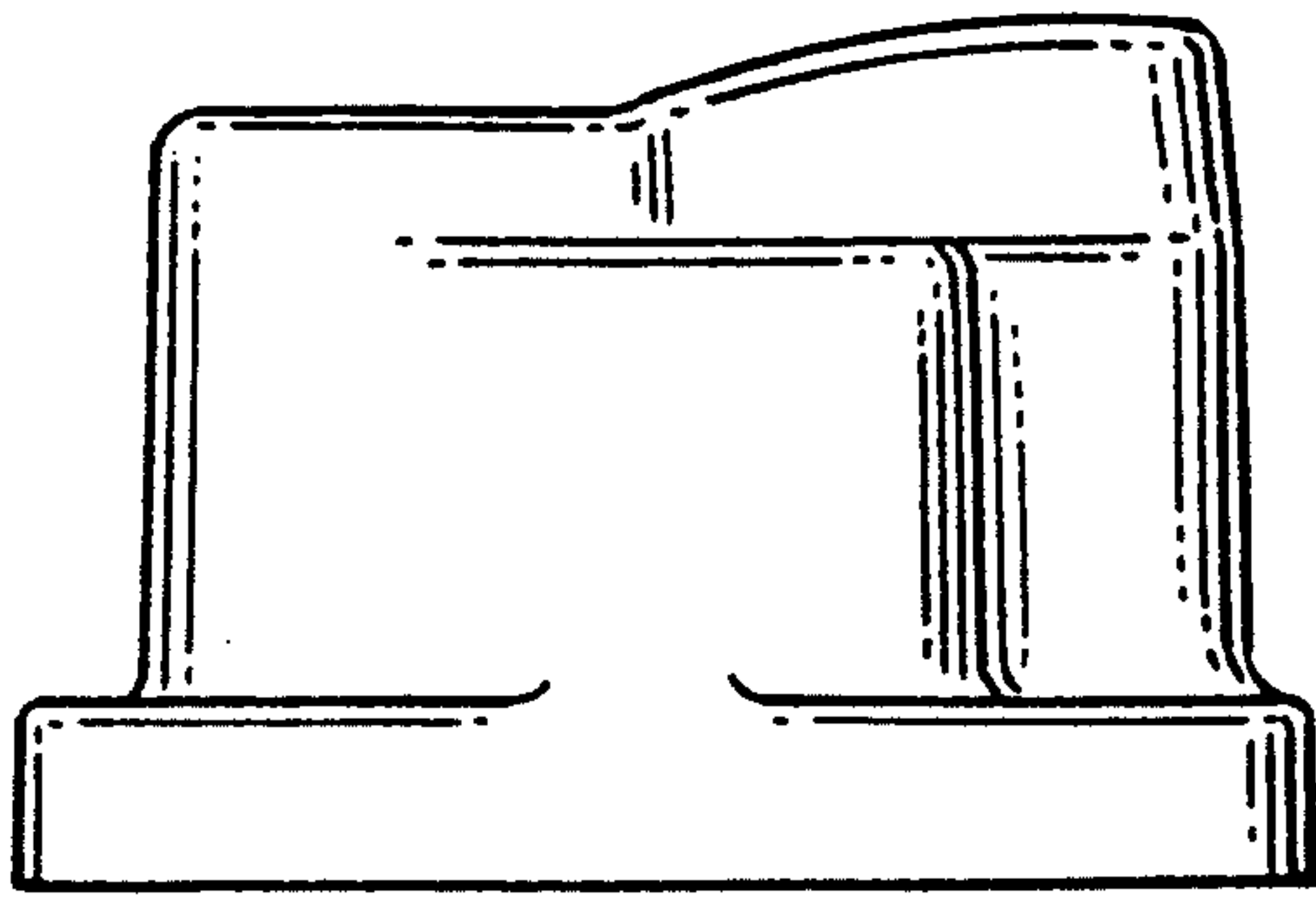


FIG. 5.

FIG. 6.

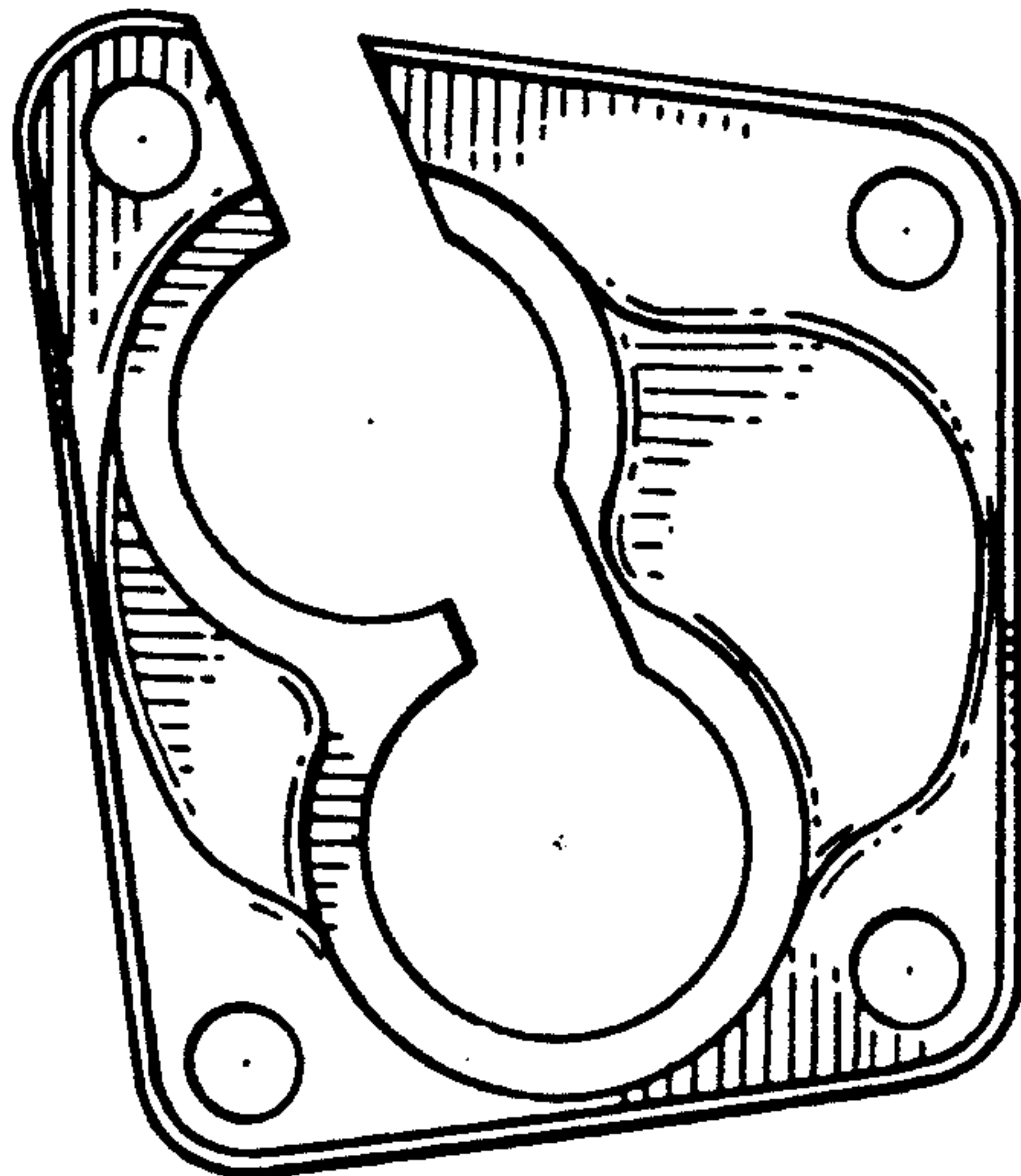
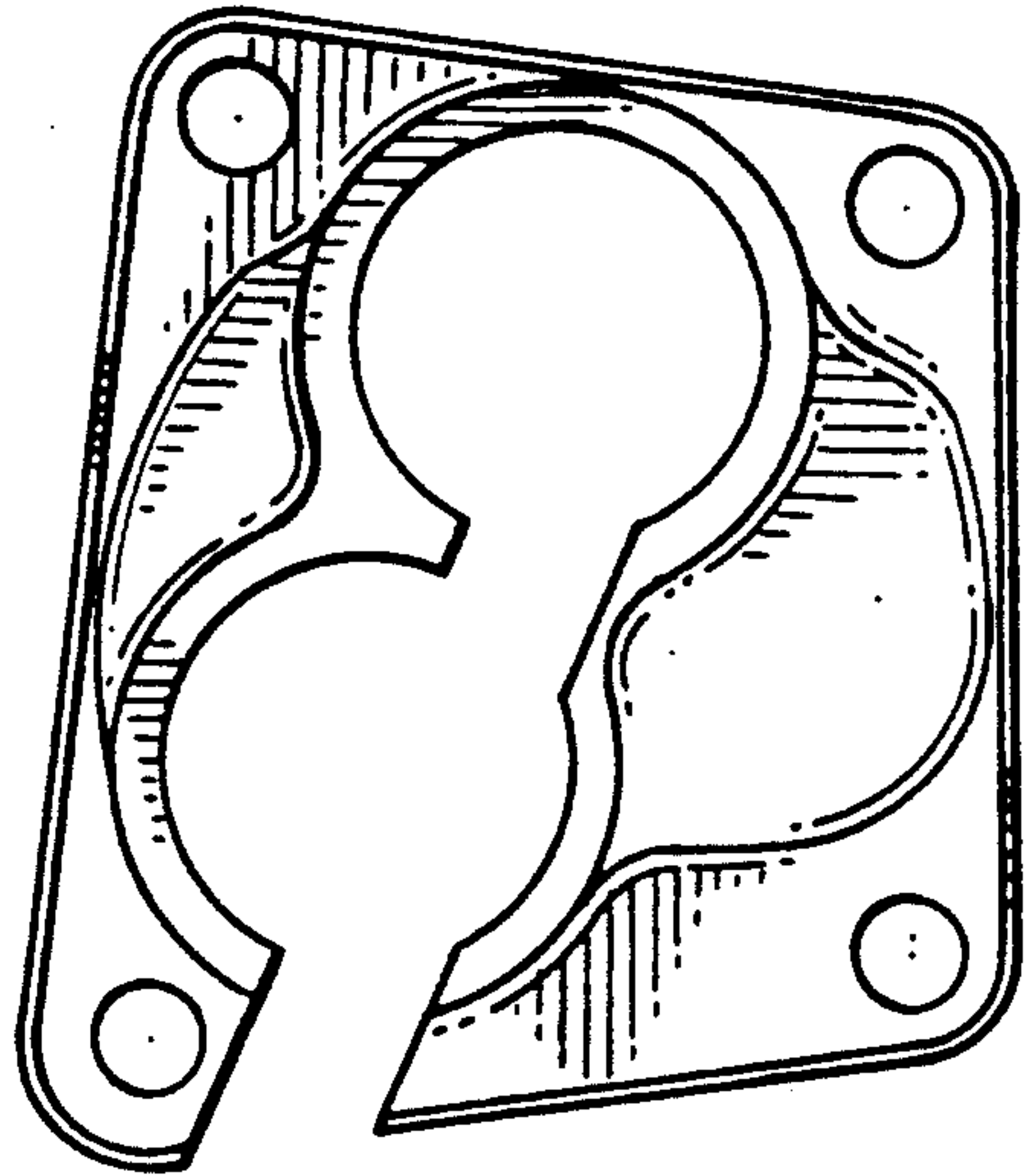


FIG. 7.