



US00D344269S

United States Patent [19]

[11] Patent Number: **Des. 344,269**

Toedter et al.

[45] Date of Patent: **** Feb. 15, 1994**

[54] **COMPUTER HOUSING**

D. 335,868 5/1993 Toedter D14/106
D. 337,096 7/1993 Iino D14/106

[75] Inventors: **Peter K. Toedter**, Trabuco Canyon;
Kevin D. Simmons, San Diego;
Charles S. Curbun, Leucadia, all of Calif.

Primary Examiner—Wallace R. Burke
Assistant Examiner—Freda S. Nunn
Attorney, Agent, or Firm—Knobbe, Martens, Olson & Bear

[73] Assignee: **AST Research, Inc.**, Irvine, Calif.

[**] Term: **14 Years**

[57] **CLAIM**

[21] Appl. No.: **932,011**

The ornamental design for a computer housing, as shown and described.

[22] Filed: **Aug. 18, 1992**

DESCRIPTION

[52] U.S. Cl. **D14/106**

[58] Field of Search 235/145 A, 145 R;
340/700, 706; 364/708, 709.04; 361/390, 394;
D14/100, 101, 106; D18/1, 7

FIG. 1 is a perspective view taken from the top, front and right side of computer housing showing our new design;

FIG. 2 is a top plan view thereof on an enlarged scale;

FIG. 3 is a front elevational view thereof;

FIG. 4 is a left side elevational view thereof;

FIG. 5 is a right side elevational view thereof;

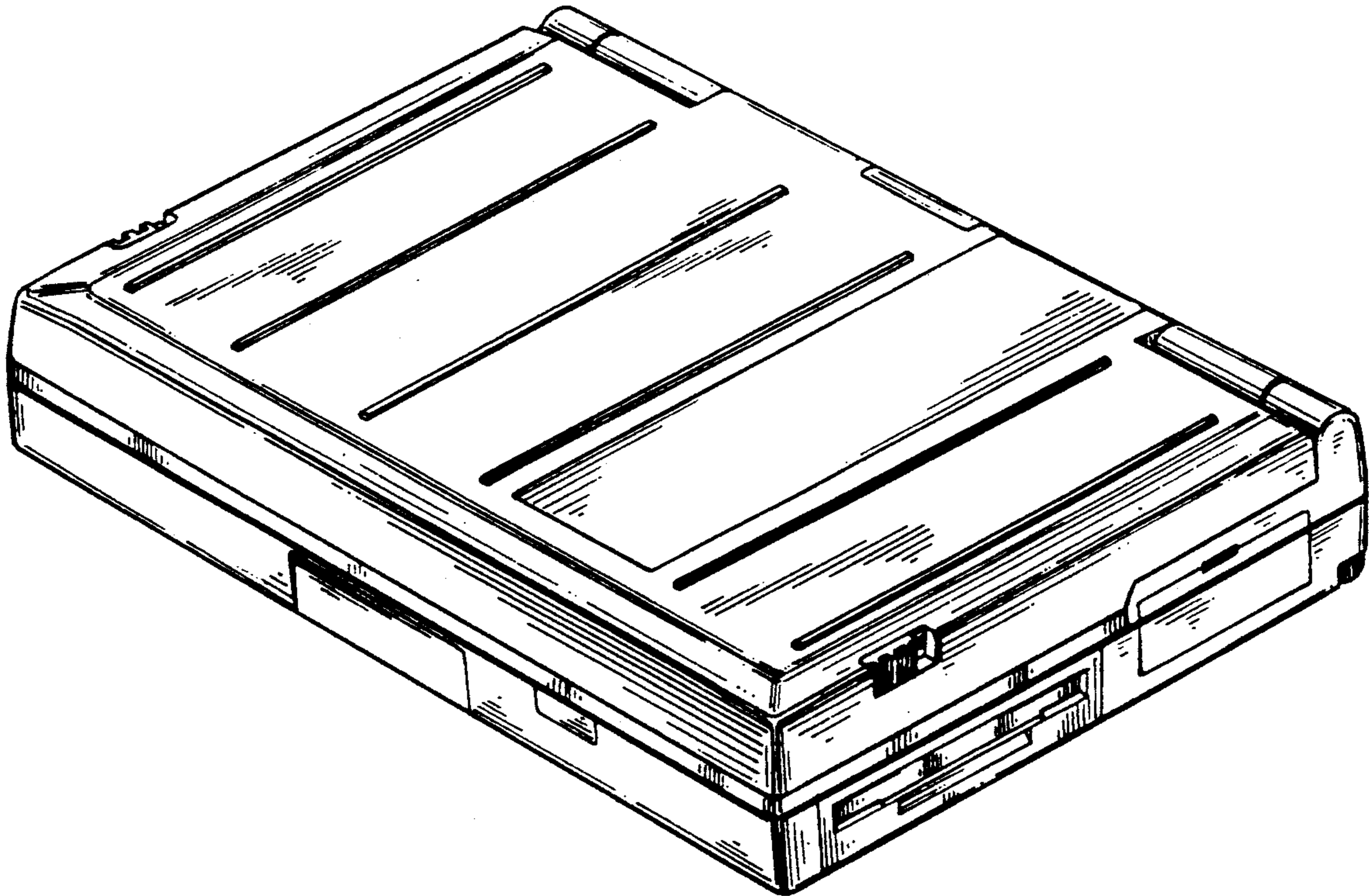
FIG. 6 is a bottom plan view thereof; and,

FIG. 7 is a rear elevational view thereof.

[56] **References Cited**

U.S. PATENT DOCUMENTS

D. 322,605 1/1993 Krakower et al. D14/106
D. 334,740 4/1993 Krause et al. D14/106



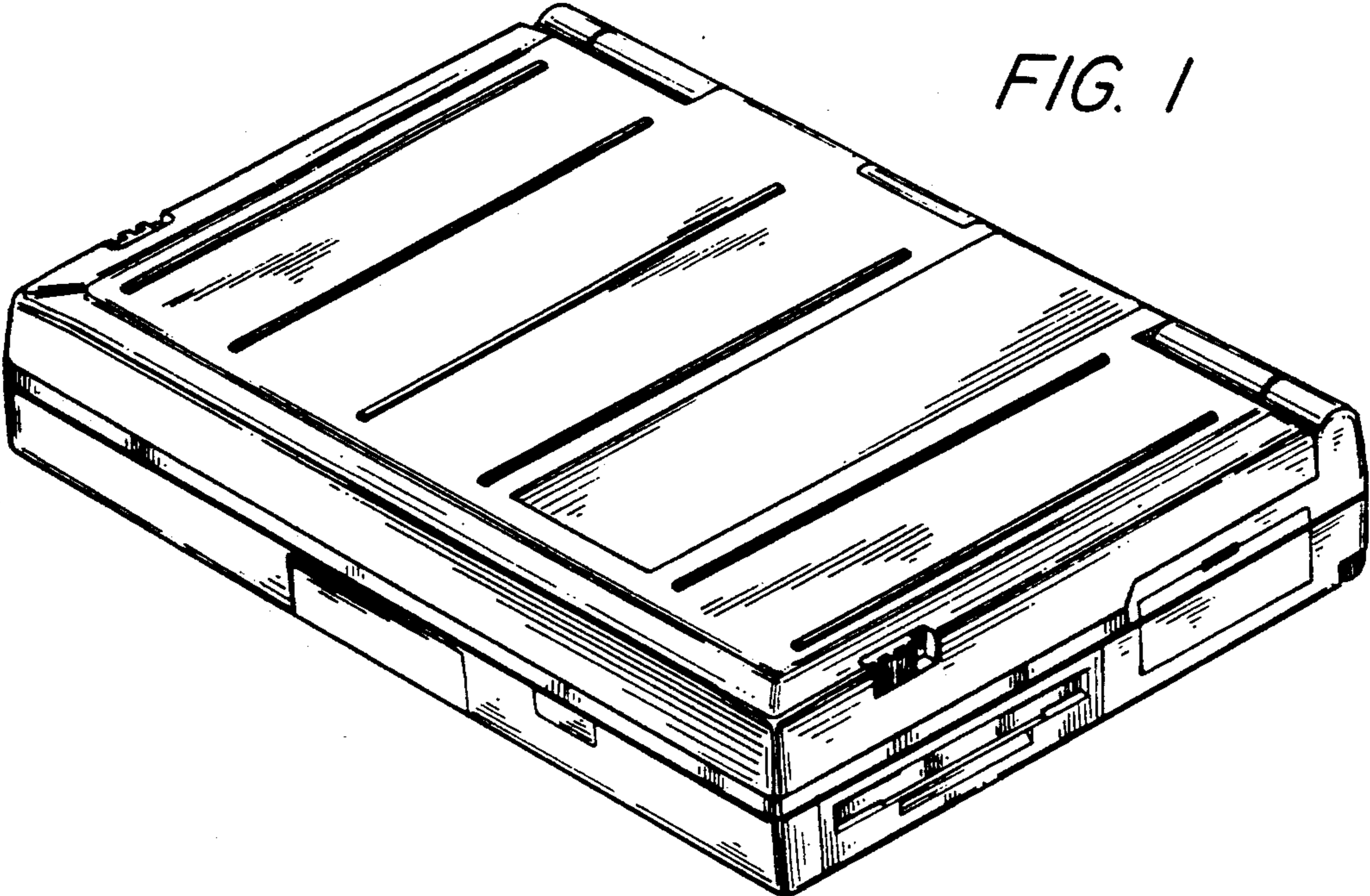


FIG. 1

FIG. 2

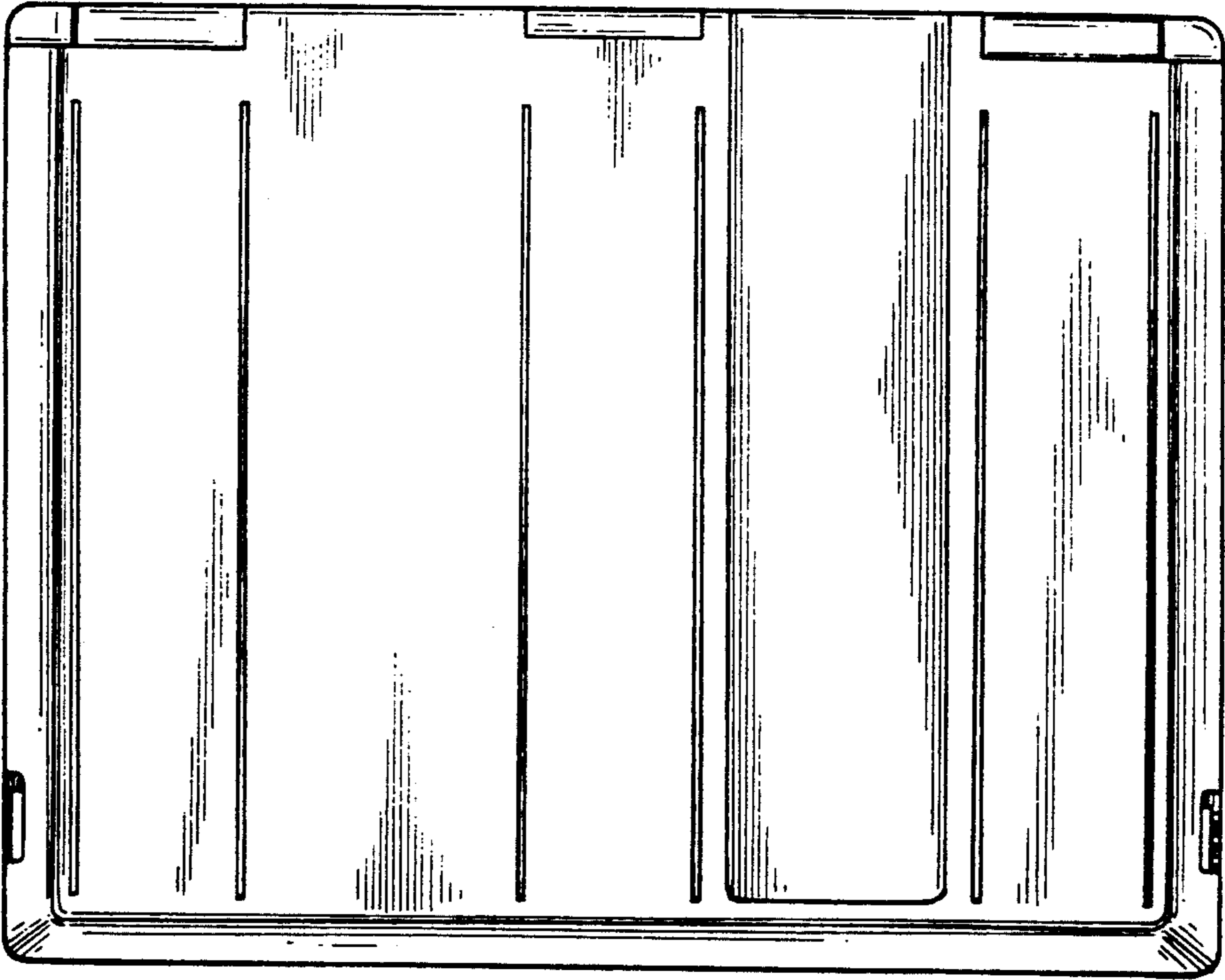


FIG. 3

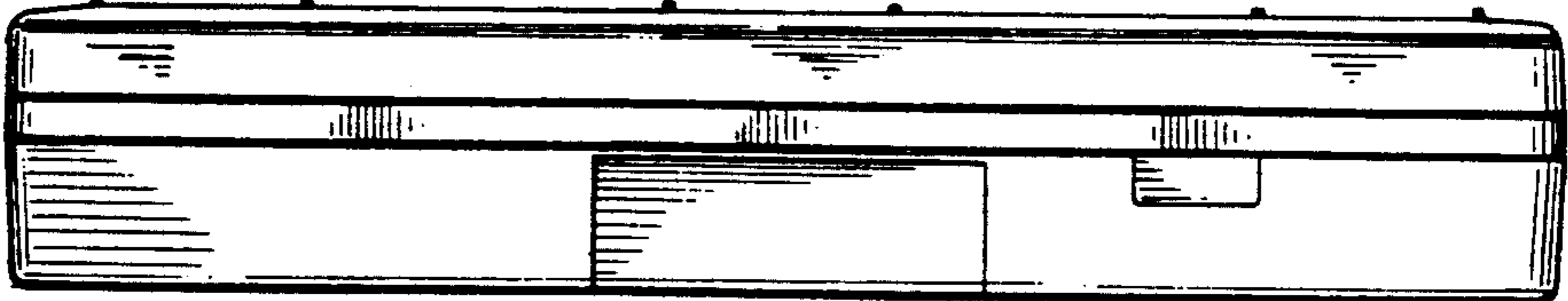


FIG. 4

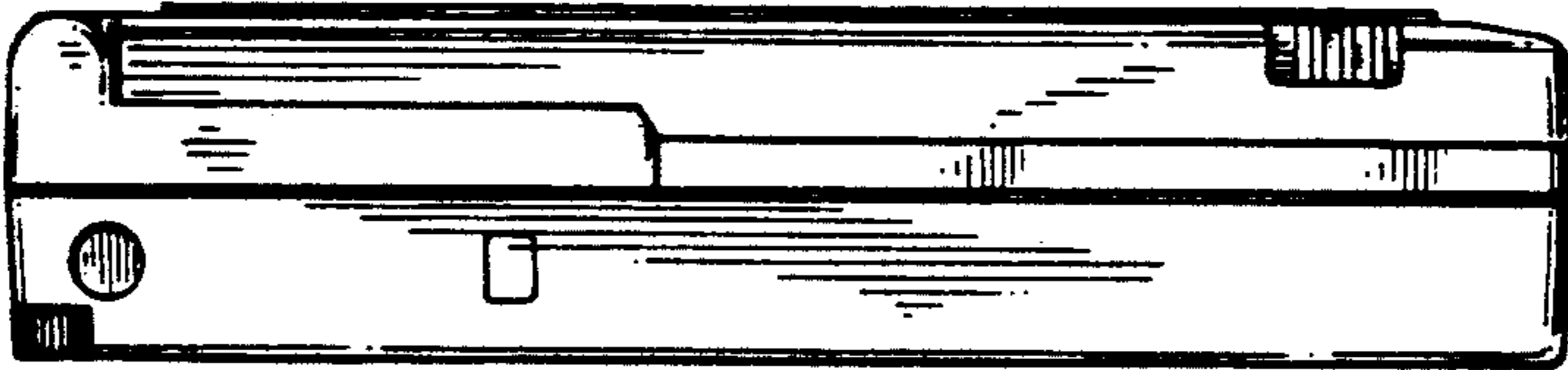


FIG. 5

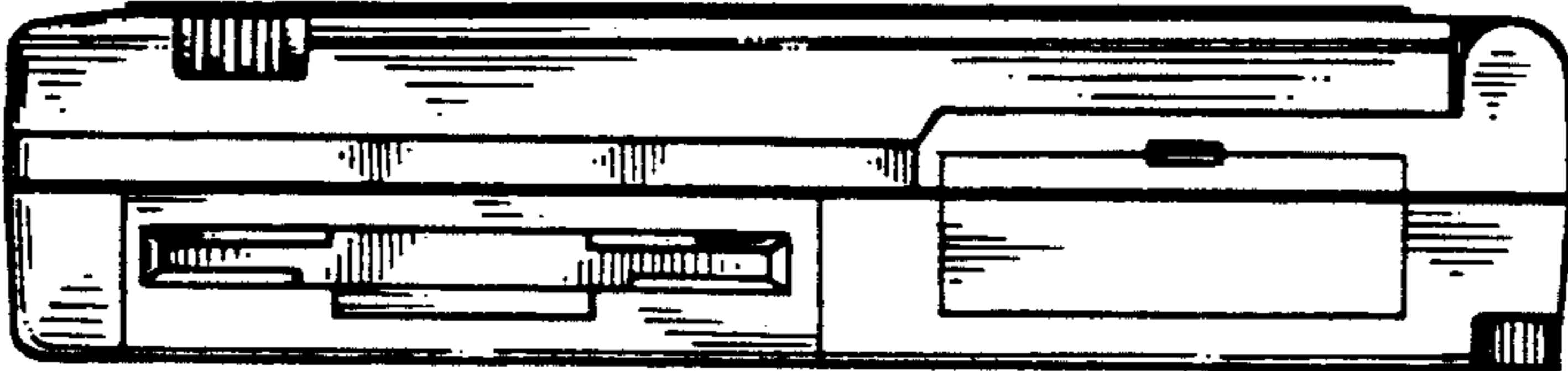


FIG. 6

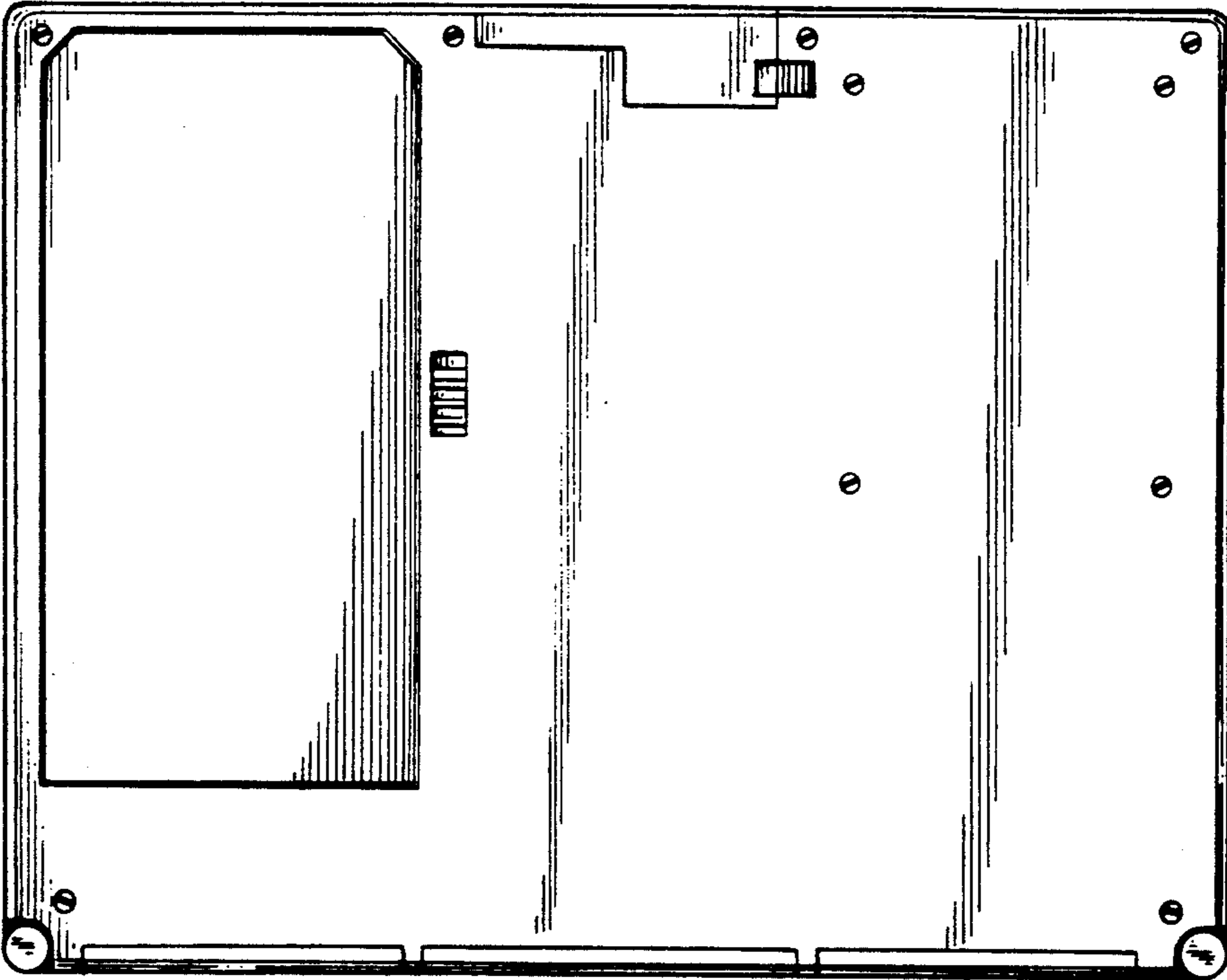


FIG. 7

