



US00D344268S

# United States Patent [19]

[11] Patent Number: **Des. 344,268**

Mitchum

[45] Date of Patent: **\*\* Feb. 15, 1994**

[54] **CHECK WRITING DEVICE**

4,455,100	6/1984	Bauer	.....	D18/7 X
4,733,060	3/1988	Dono et al.	.....	235/58 CW X
4,810,866	3/1989	Lord, Jr.	.....	235/379

[76] Inventor: **Theodore W. Mitchum, Rte. 1, Box 187, Ridge Spring, S.C. 29129**

*Primary Examiner*—Wallace R. Burke  
*Assistant Examiner*—Freda S. Nunn  
*Attorney, Agent, or Firm*—Terry M. Gernstein

[\*\*] Term: **14 Years**

[21] Appl. No.: **786,975**

[57] **CLAIM**

[22] Filed: **Nov. 4, 1991**

The ornamental design for a check writing device, as shown and described.

[52] U.S. Cl. .... **D14/105**

[58] Field of Search ..... 235/58 CW, 379, 381, 235/492; 400/88; 101/30, 90, 95; D14/100, 105, 106, 107; D18/1, 4, 7, 5

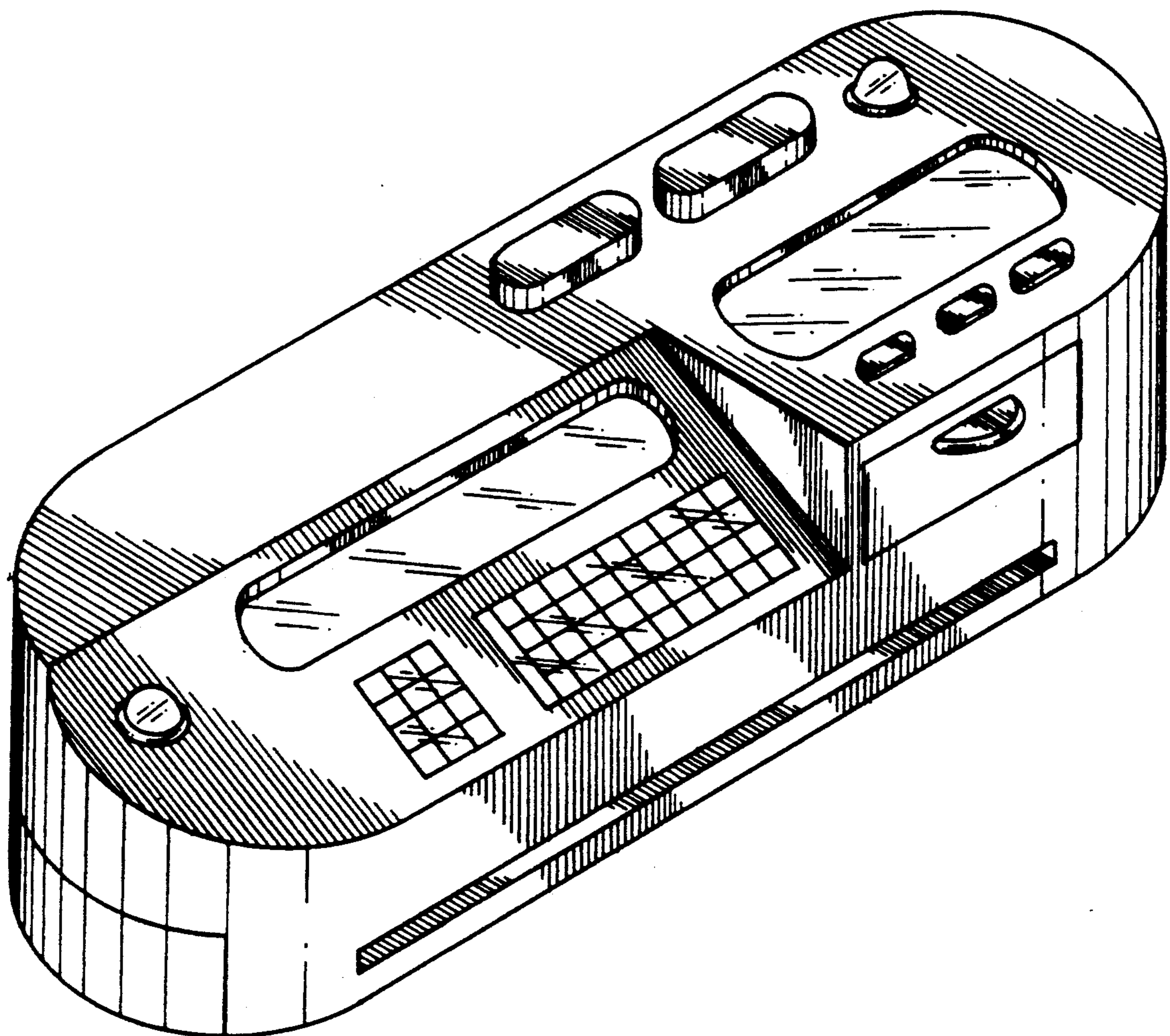
**DESCRIPTION**

[56] **References Cited**

**U.S. PATENT DOCUMENTS**

FIG. 1 is a perspective view of the check writing device embodying the design of the present invention; FIG. 2 is a front elevational view thereof on an enlarged scale; FIG. 3 is a rear elevational view thereof; FIG. 4 is a side elevational view thereof; FIG. 5 is an opposite side elevational view thereof; FIG. 6 is a top plan view thereof; and, FIG. 7 is a bottom plan view thereof.

D. 292,710	11/1987	Woods, Jr.	.....	D14/100
D. 328,607	8/1992	Brennan	.....	D18/7
3,307,476	3/1967	Jagger	.....	101/95
3,467,006	9/1969	Johnson	.....	101/95
3,601,043	8/1971	Cook	.....	101/30



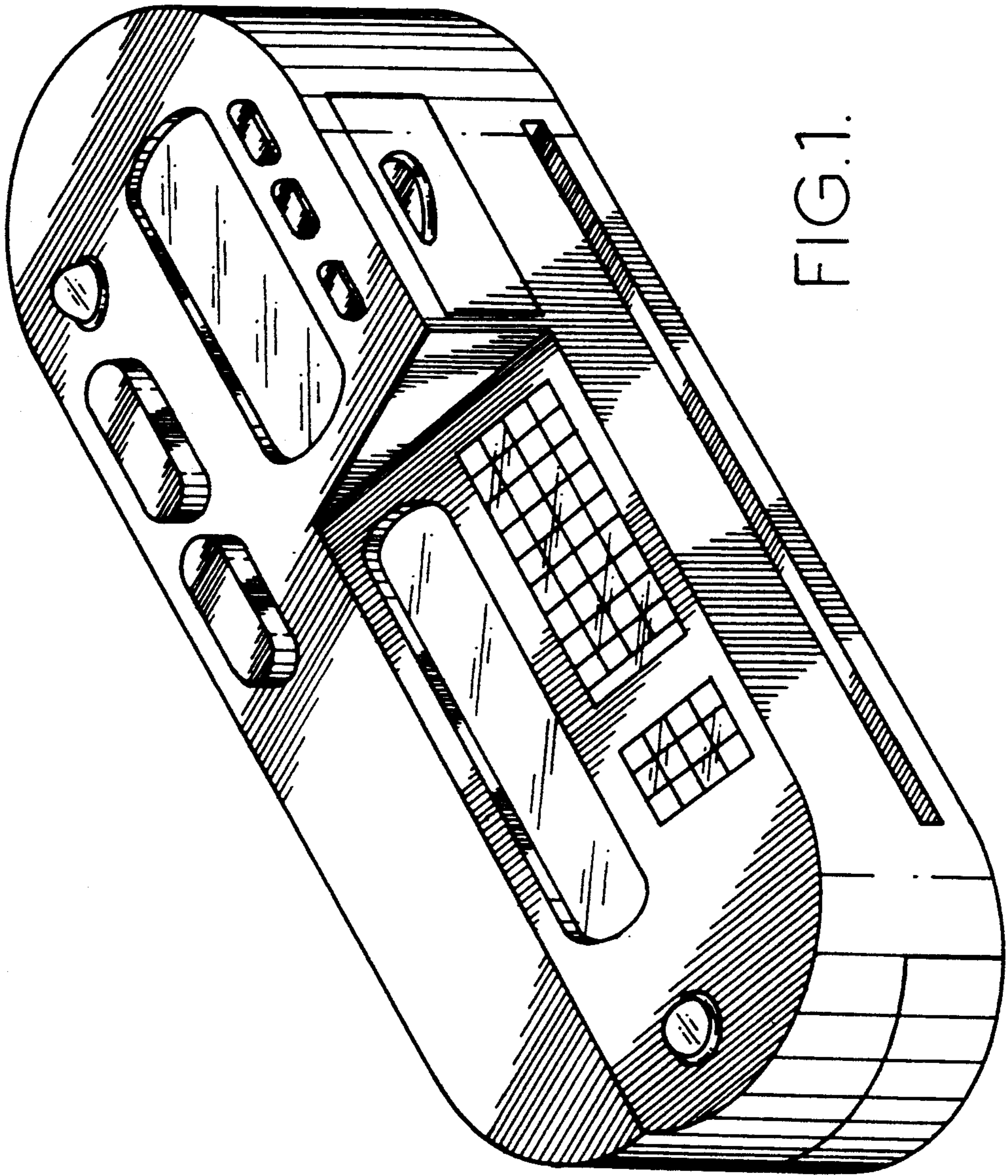


FIG.1.

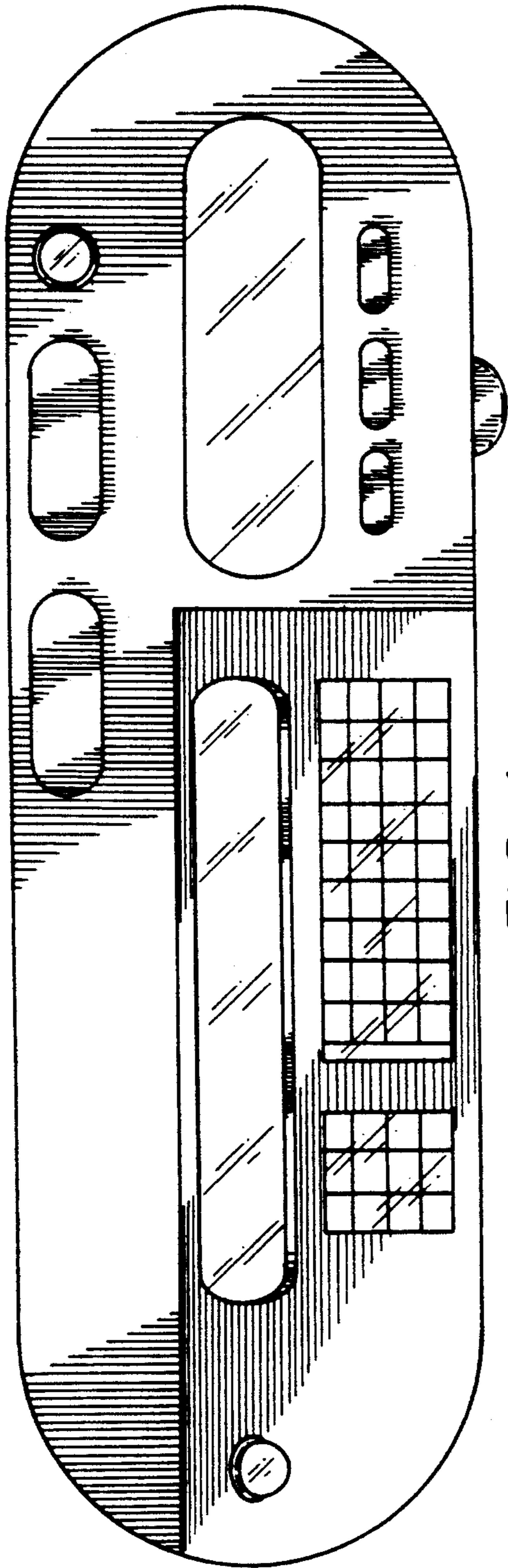


FIG. 6.

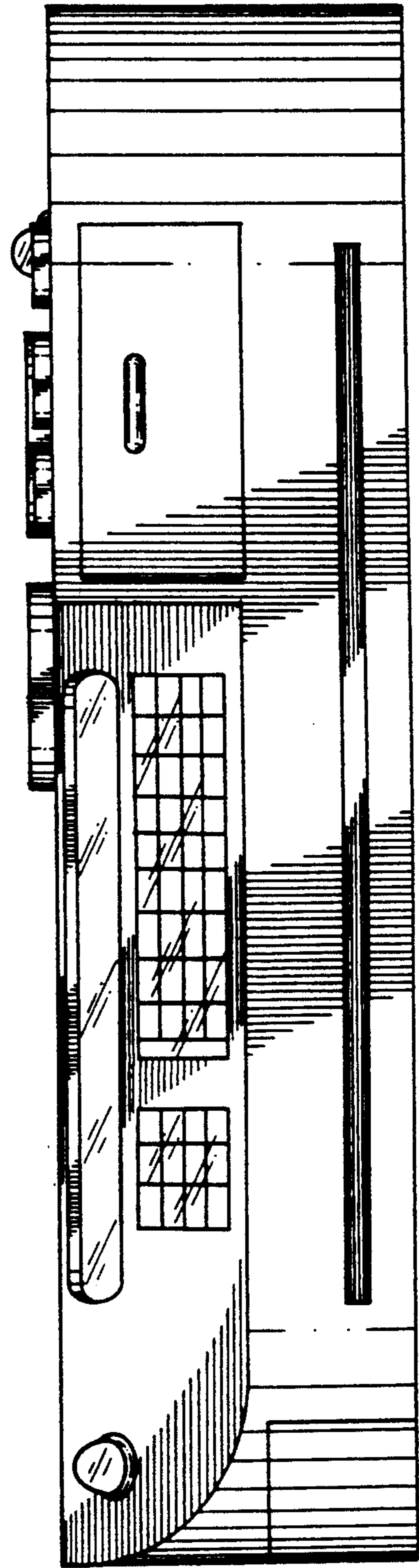


FIG. 2.

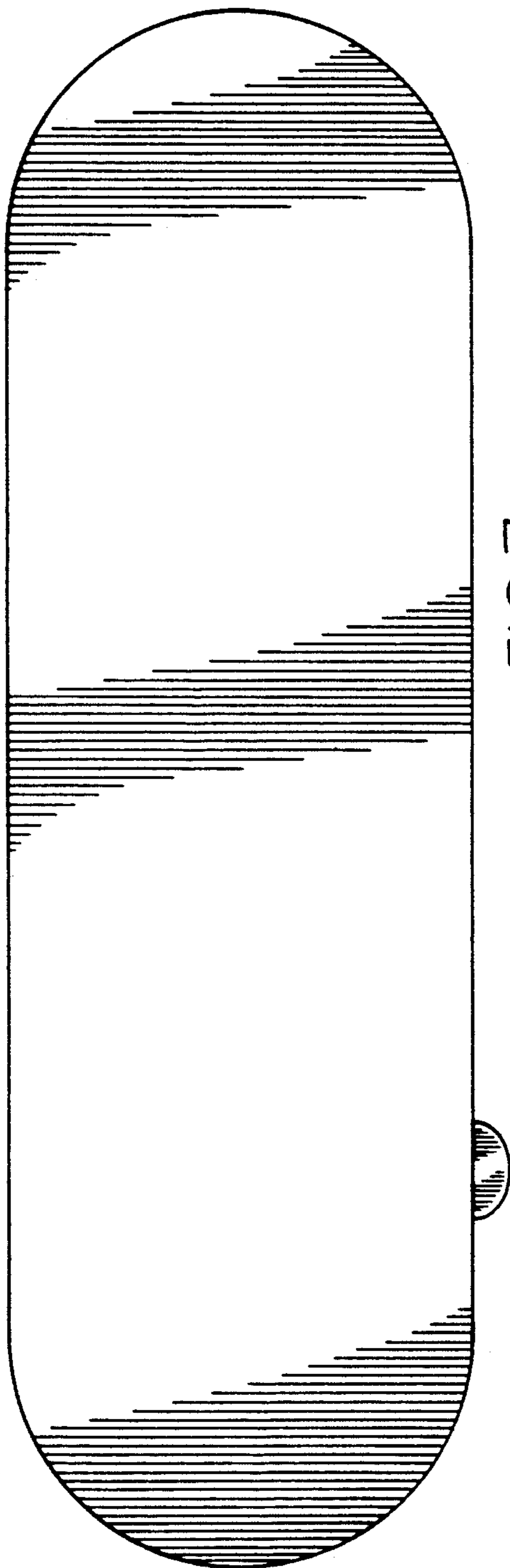


FIG. 7.

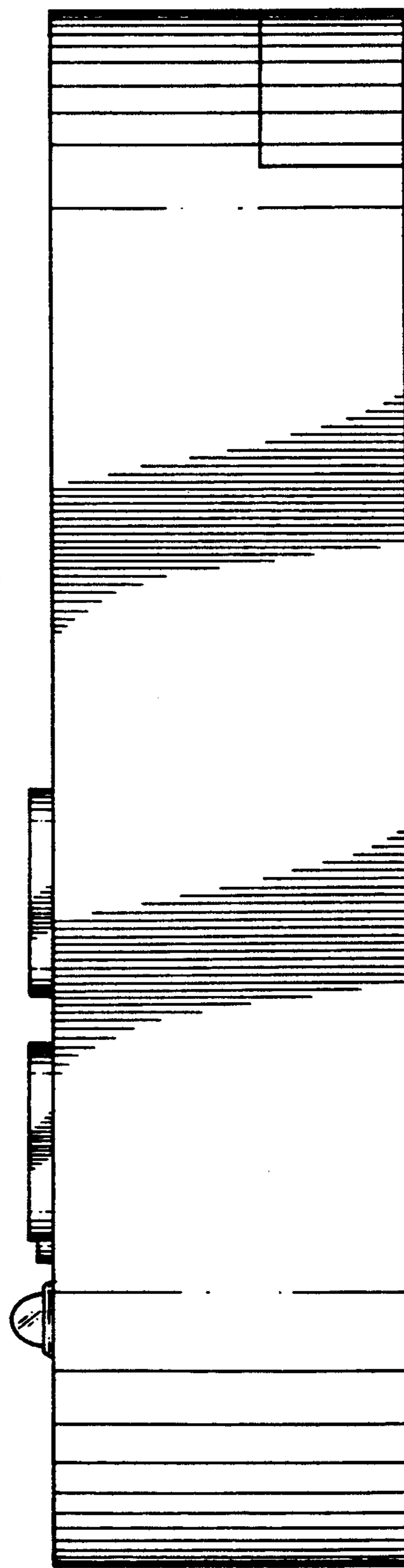


FIG. 3.

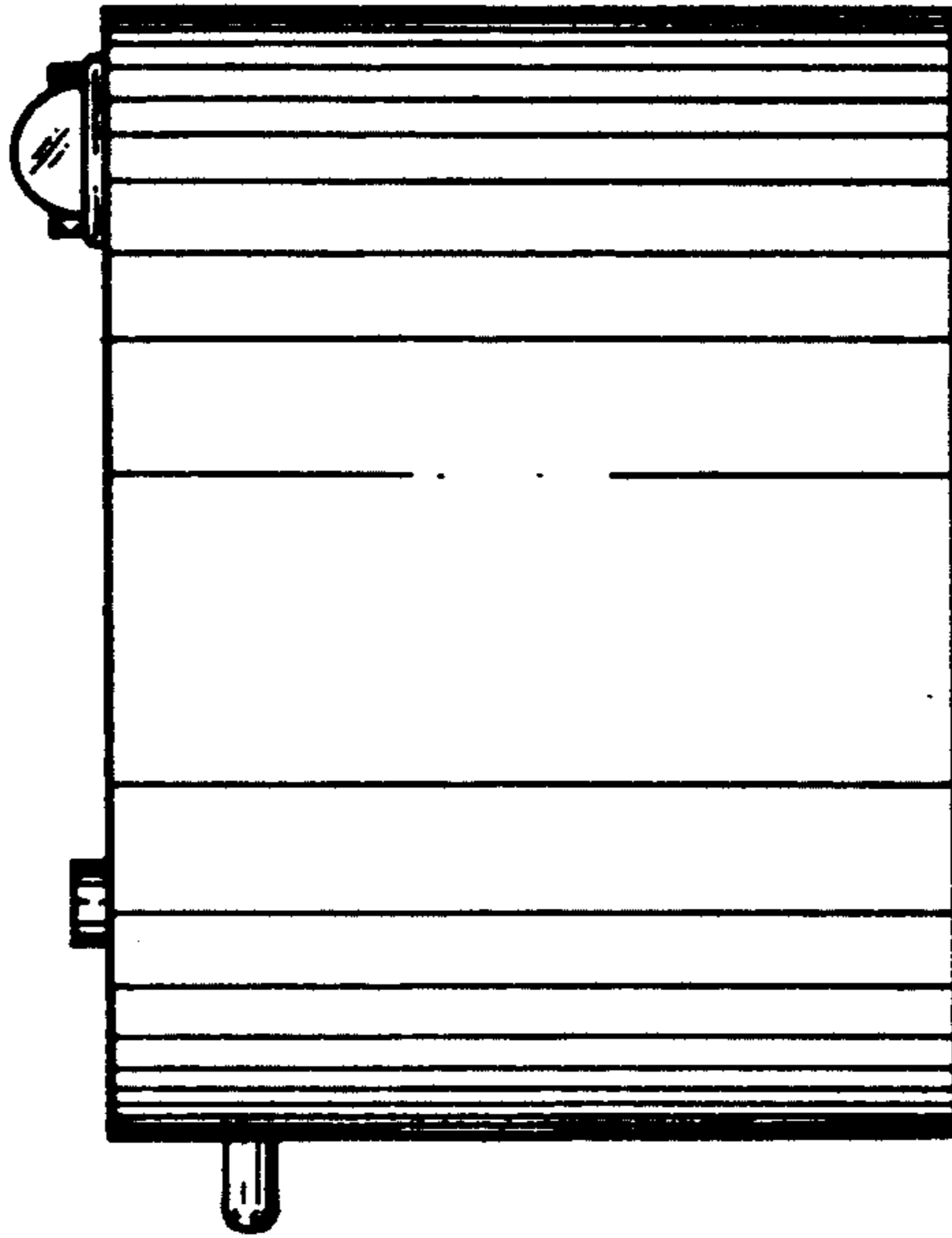


FIG. 5.

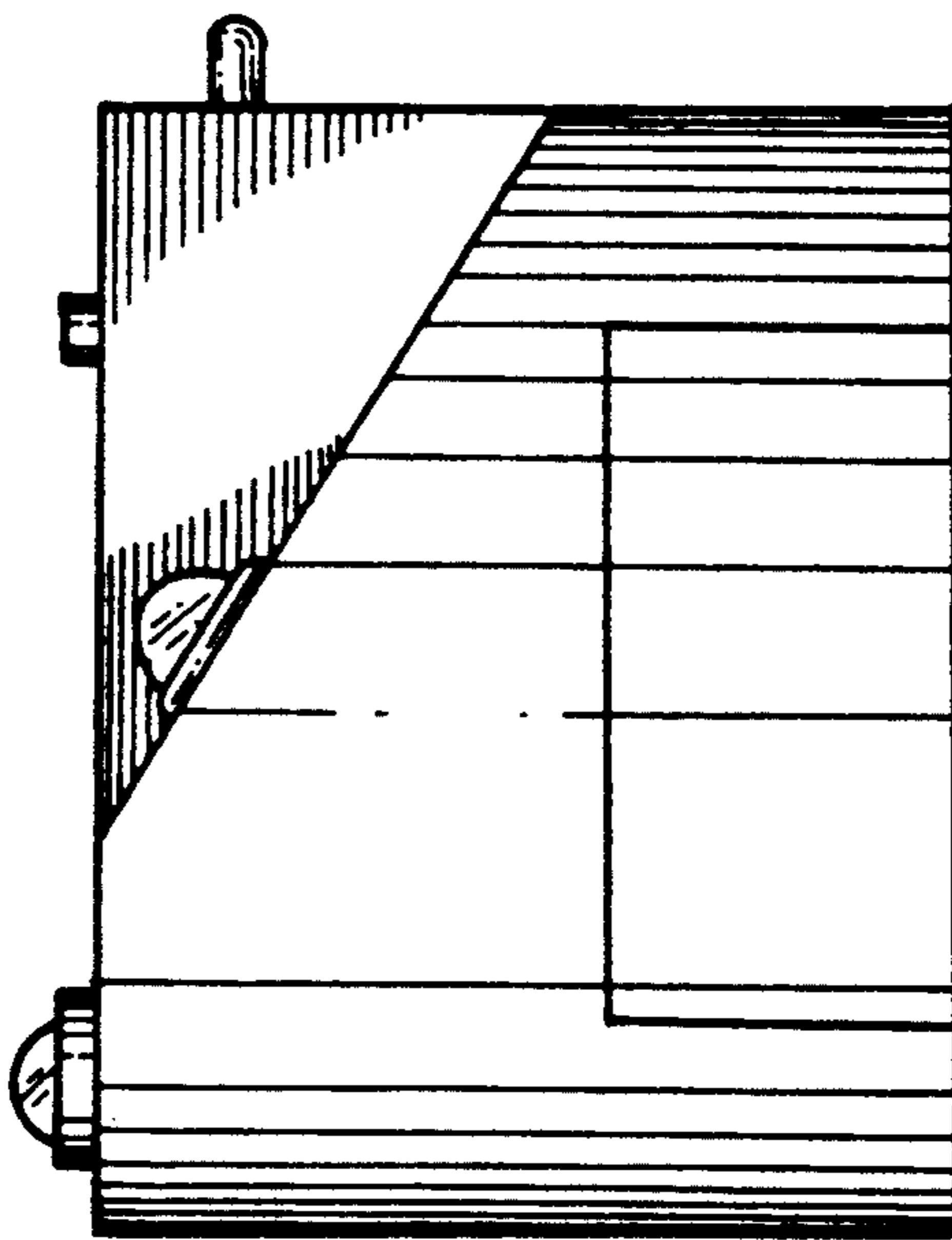


FIG. 4.