



US00D344265S

United States Patent [19]

[11] Patent Number: Des. 344,265

Schaeffer

[45] Date of Patent: ** Feb. 15, 1994

[54] ELECTRICAL SWITCH ACTUATOR

[75] Inventor: Maurice Schaeffer, Strasbourg, France

[73] Assignee: BACO Constructions Electriques - Anct. Baumgarten S.A., France

[**] Term: 14 Years

[21] Appl. No.: 820,043

[22] Filed: Jan. 13, 1992

[52] U.S. Cl. D13/169

[58] Field of Search 200/293, 296, 302.3, 200/311, 315, 339, 553; D13/158, 169, 174

[56] References Cited

U.S. PATENT DOCUMENTS

3,988,558	10/1976	Josemans et al.	200/339 X
4,359,611	11/1982	Haskins	200/339 X
4,803,317	2/1989	Sutoh et al.	200/339 X

FOREIGN PATENT DOCUMENTS

3615323	11/1986	Fed. Rep. of Germany	D13/ X
0585135	11/1958	Italy	200/296

OTHER PUBLICATIONS

Paddle switches on inside back cover of 1969 *McGill* catalog.

MLW3022 paddle switch on p. 605 of *Allied Electronics* catalog ©1990.

BACO Catalogue for Control And Signalling Gear, including only pages which show various switch designs, including front and back cover, and pp. 1, 3, 6, 7, 9, 10, 11, 12, 15, 16, 18, 20, 22-31, 36-42, 49, 55, 56 and 64, Apr. 1986.

Primary Examiner—Wallace R. Burke

Assistant Examiner—J. Sincavage

Attorney, Agent, or Firm—Larson and Taylor

[57] CLAIM

The ornamental design for an electric switch actuator, as shown and described.

DESCRIPTION

FIG. 1 is a perspective view of an electrical switch actuator, showing my new design;

FIG. 2 is a front elevational view of FIG. 1;

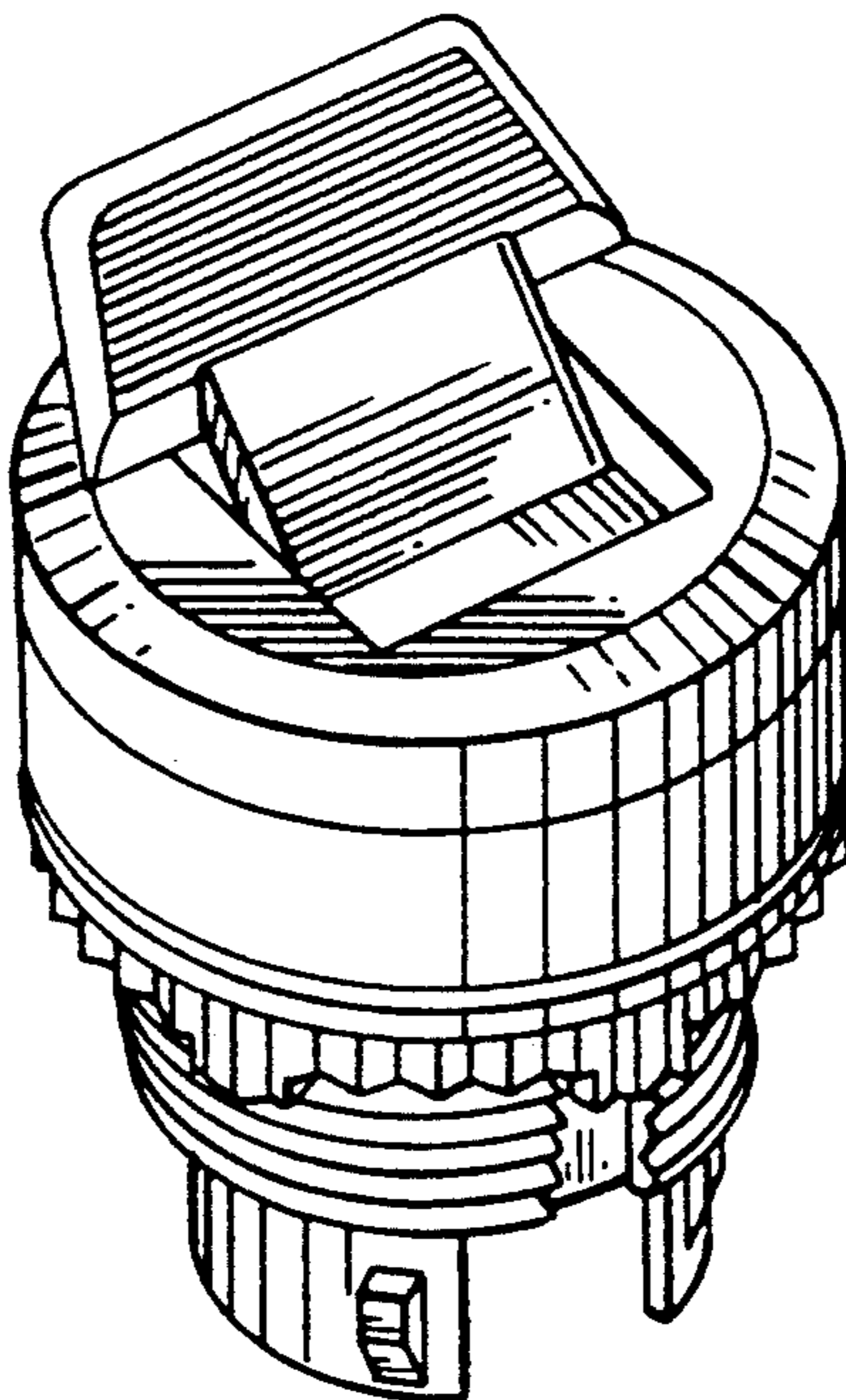
FIG. 3 is a back elevational view of FIG. 1;

FIG. 4 is a right side elevational view of FIG. 2;

FIG. 5 is a top plan view of FIG. 1; and,

FIG. 6 is a bottom plan view of FIG. 1.

The side opposite to FIG. 4 is a mirror image thereof.



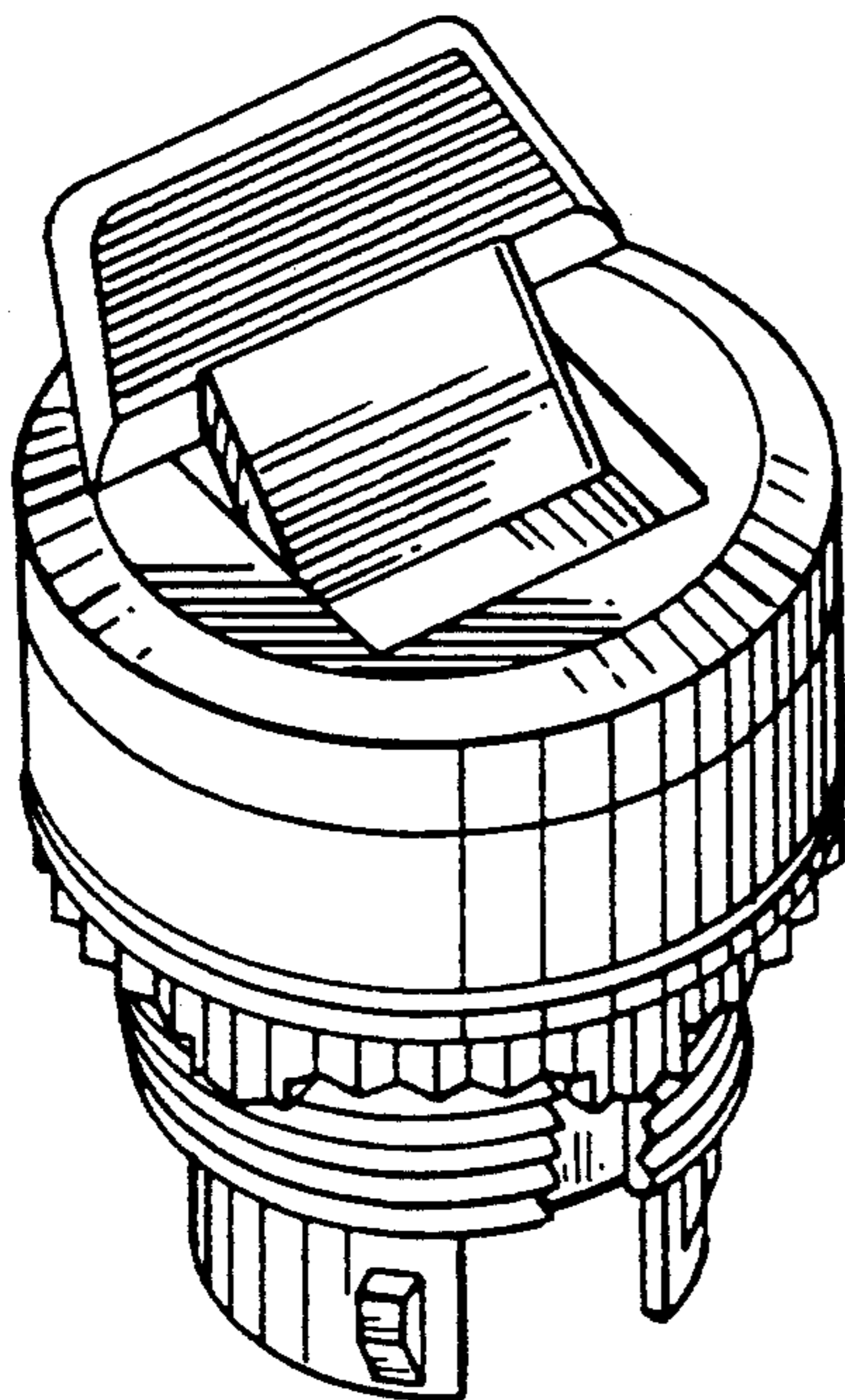


FIG. 1

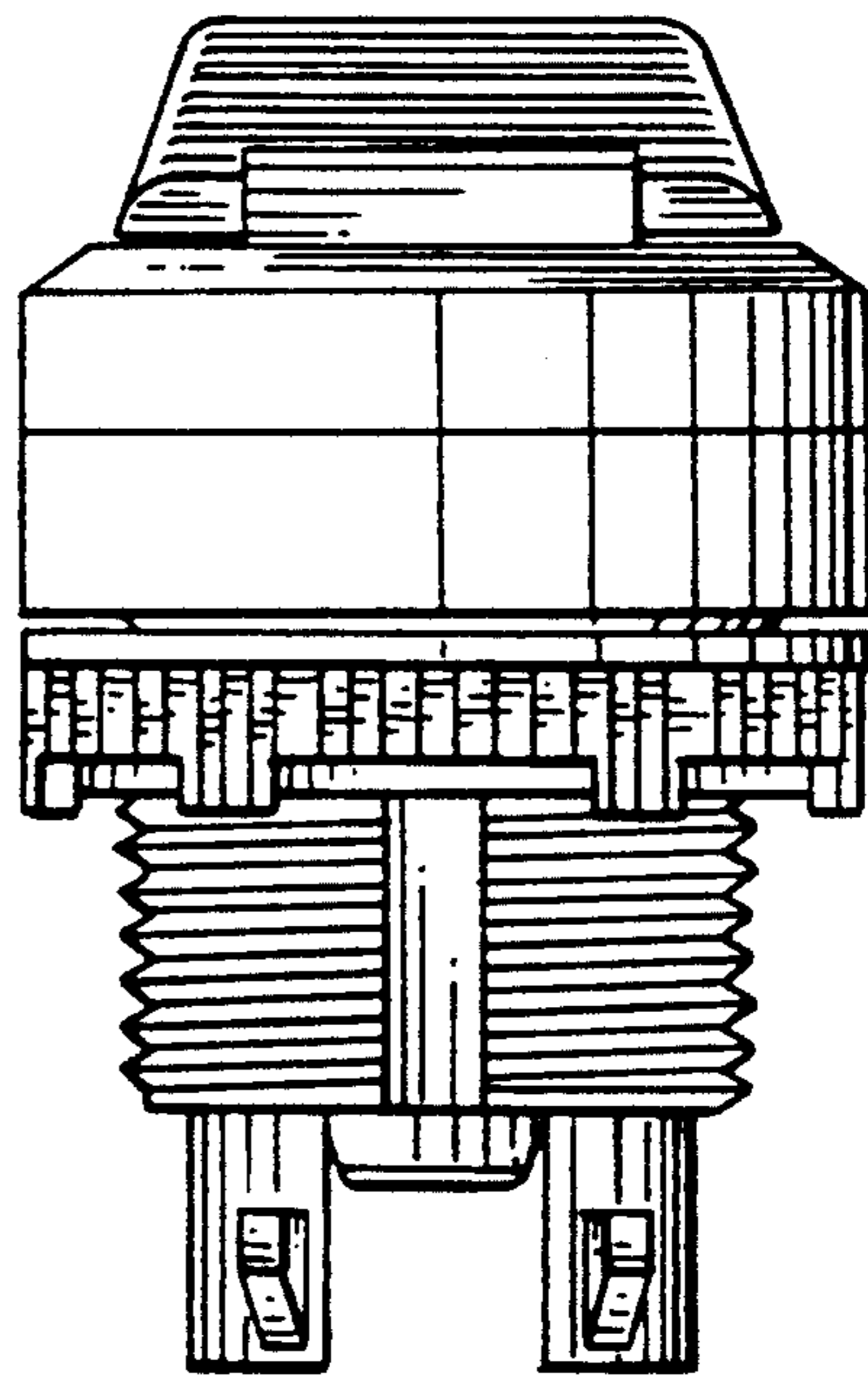


FIG. 2

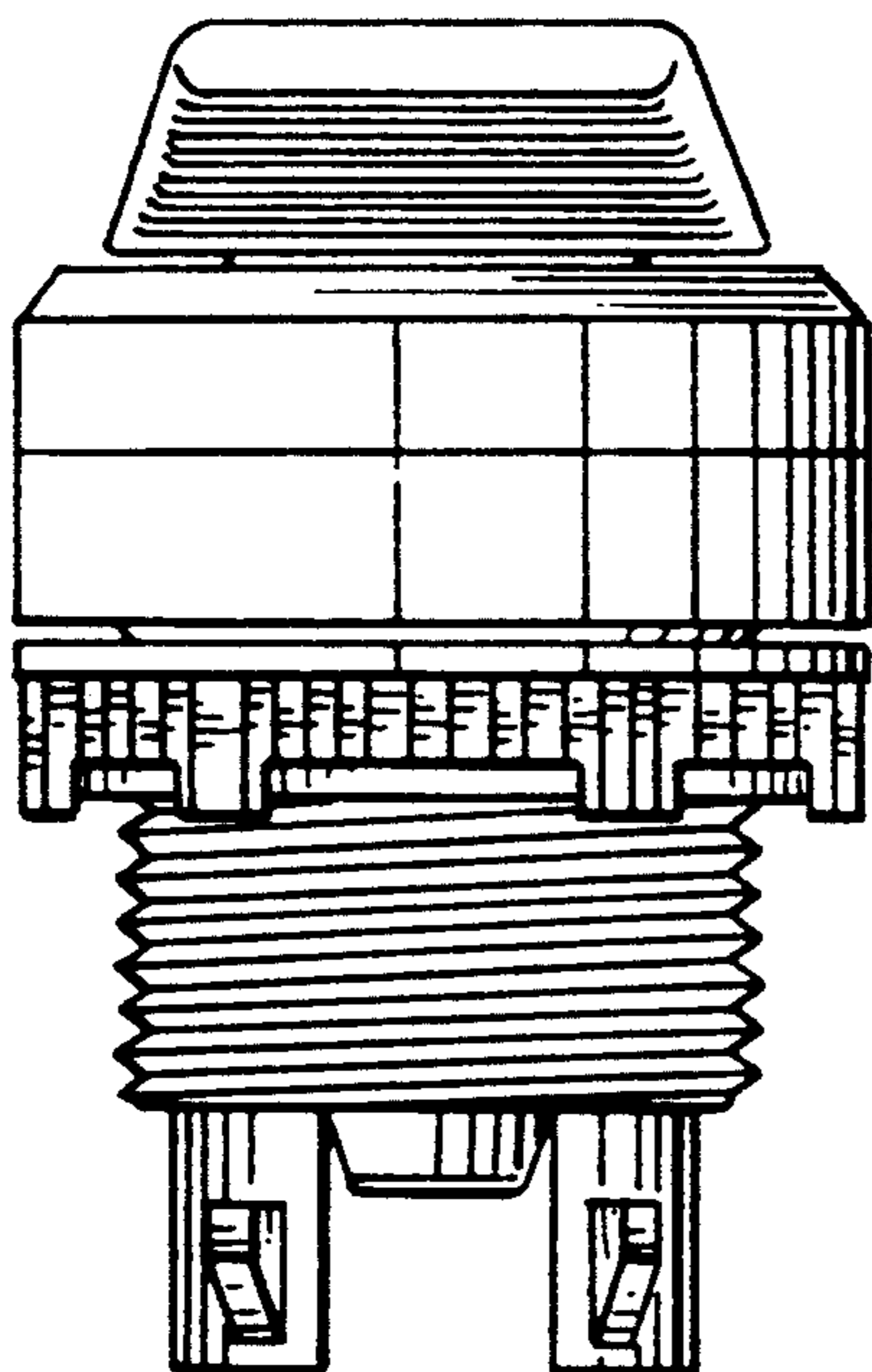


FIG. 3

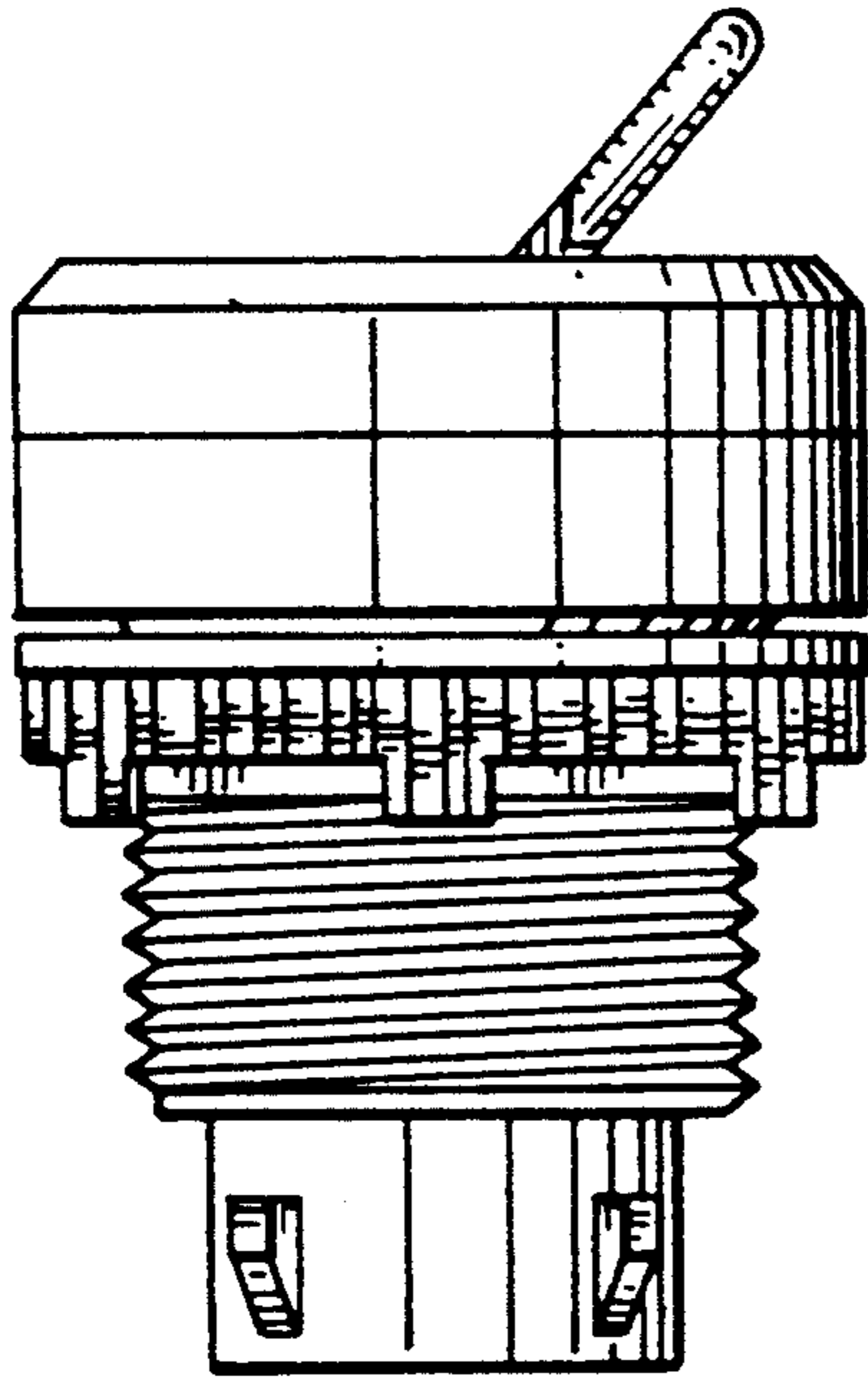


FIG. 4

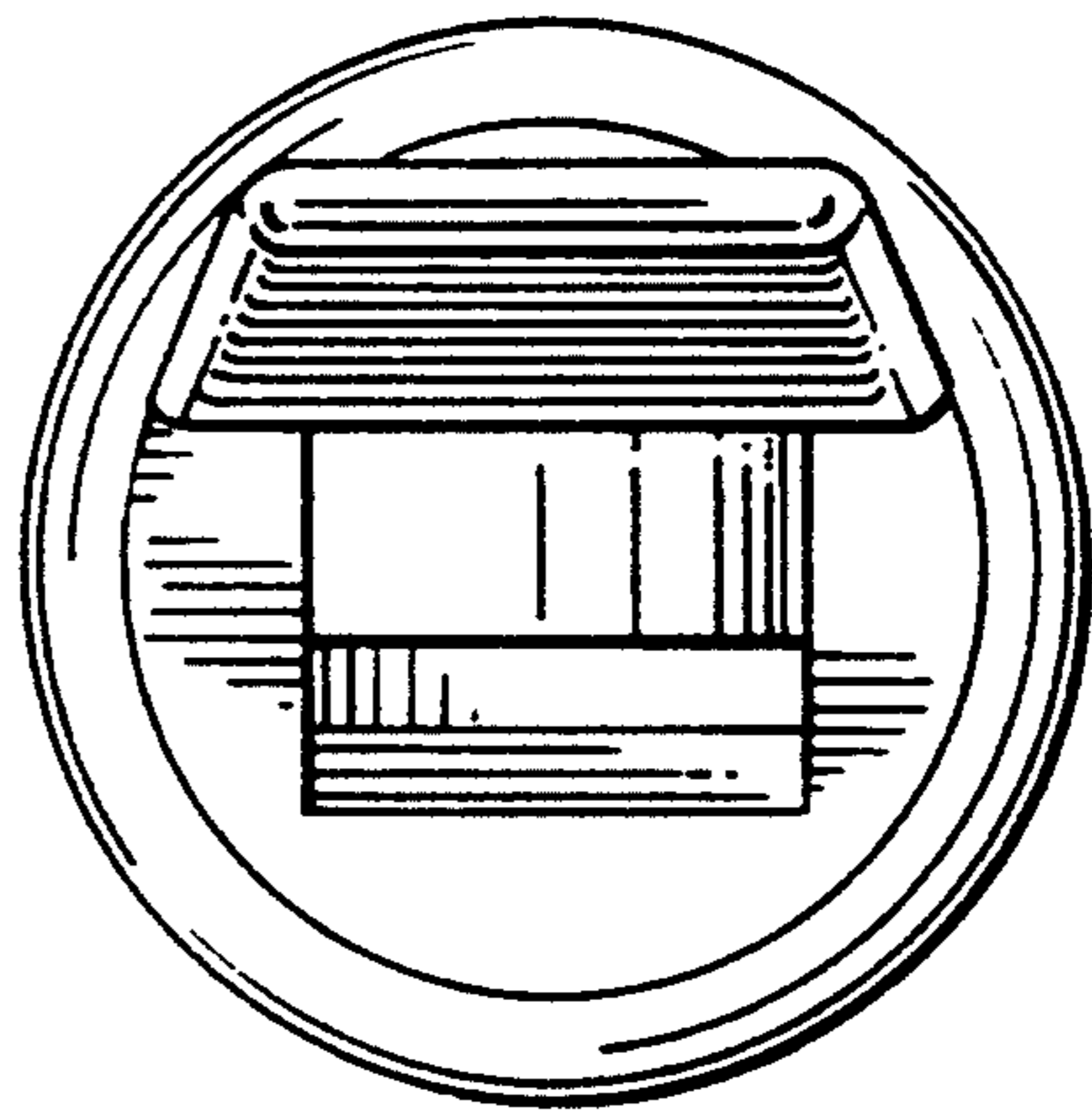


FIG. 5

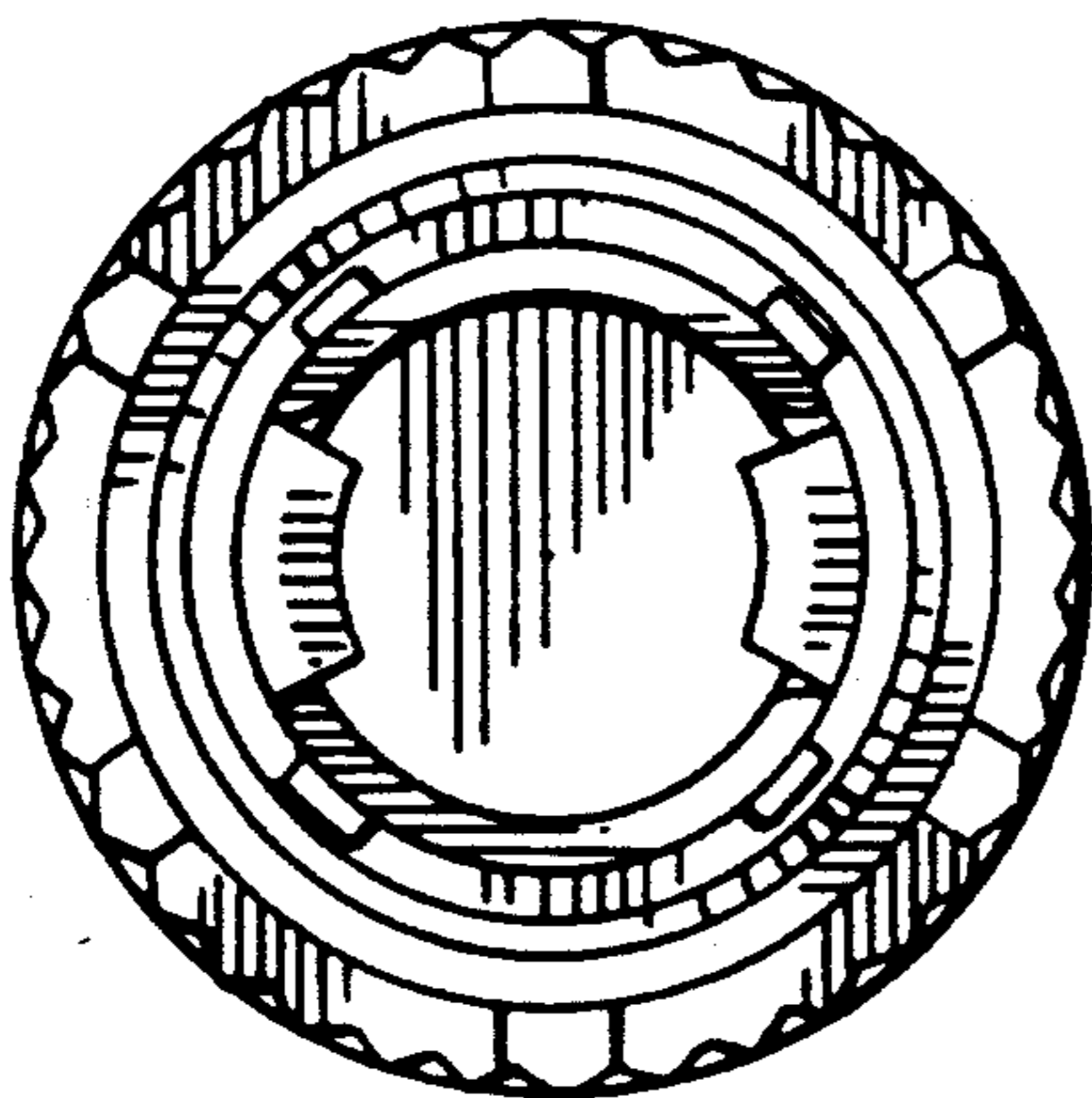


FIG. 6