



US00D344263S

United States Patent [19]

[11] Patent Number: Des. 344,263

Seido

[45] Date of Patent: ** Feb. 15, 1994

[54] PLUG-RECEIVING METAL FITTING

[76] Inventor: Masami Seido, 4-3, Ikegami 5-chome, Ohta-ku, Tokyo, Japan

[**] Term: 14 Years

[21] Appl. No.: 882,631

[22] Filed: May 13, 1992

[30] Foreign Application Priority Data

Nov. 15, 1991 [JP] Japan 3-34381
 [52] U.S. Cl. D13/154
 [58] Field of Search 439/95, 108, 538, 539,
 439/581, 567, 581, 607, 609, 610, 651, 668;
 D13/146, 154

[56] References Cited

U.S. PATENT DOCUMENTS

4,482,555 6/1989 Cosmos et al. 439/609
 4,913,644 4/1990 Dixon et al. 49/607
 4,936,795 6/1990 Kawai et al. 439/95 X
 4,983,127 1/1991 Kawai et al. 439/95 X
 5,017,158 5/1991 Liu et al. 439/609
 5,094,627 3/1992 Uekido 439/610
 5,178,562 1/1993 Ermini 439/609

FOREIGN PATENT DOCUMENTS

3308492 9/1984 Fed. Rep. of Germany 439/581

OTHER PUBLICATIONS

Connectors on p. 12 of *Hosiden* catalog, printed Nov. 1987. Located in examiner's office.

Primary Examiner—Wallace R. Burke
Assistant Examiner—Joel Sincavage
Attorney, Agent, or Firm—Poms, Smith, Lande & Rose

[57] CLAIM

The ornamental design for a plug-receiving metal fitting, as shown and described.

DESCRIPTION

FIG. 1 is a front view of a plug-receiving metal fitting showing my new design;
 FIG. 2 is a back view thereof;
 FIG. 3 is a top plan view thereof;
 FIG. 4 is a bottom plan view thereof;
 FIG. 5 is a right side view thereof, the left side view thereof being a mirror image;
 FIG. 6 is a sectional view taken along the line VI—VI in FIG. 1;
 FIG. 7 is a sectional view taken along the line VII—VII in FIG. 1; and,
 FIG. 8 is a front and upper right perspective view thereof showing the plug-receiving metal fitting in use. The broken line showing of the socket, circuit board and plug is included for the purpose of illustrating environmental elements only and forms no part of the claimed design.

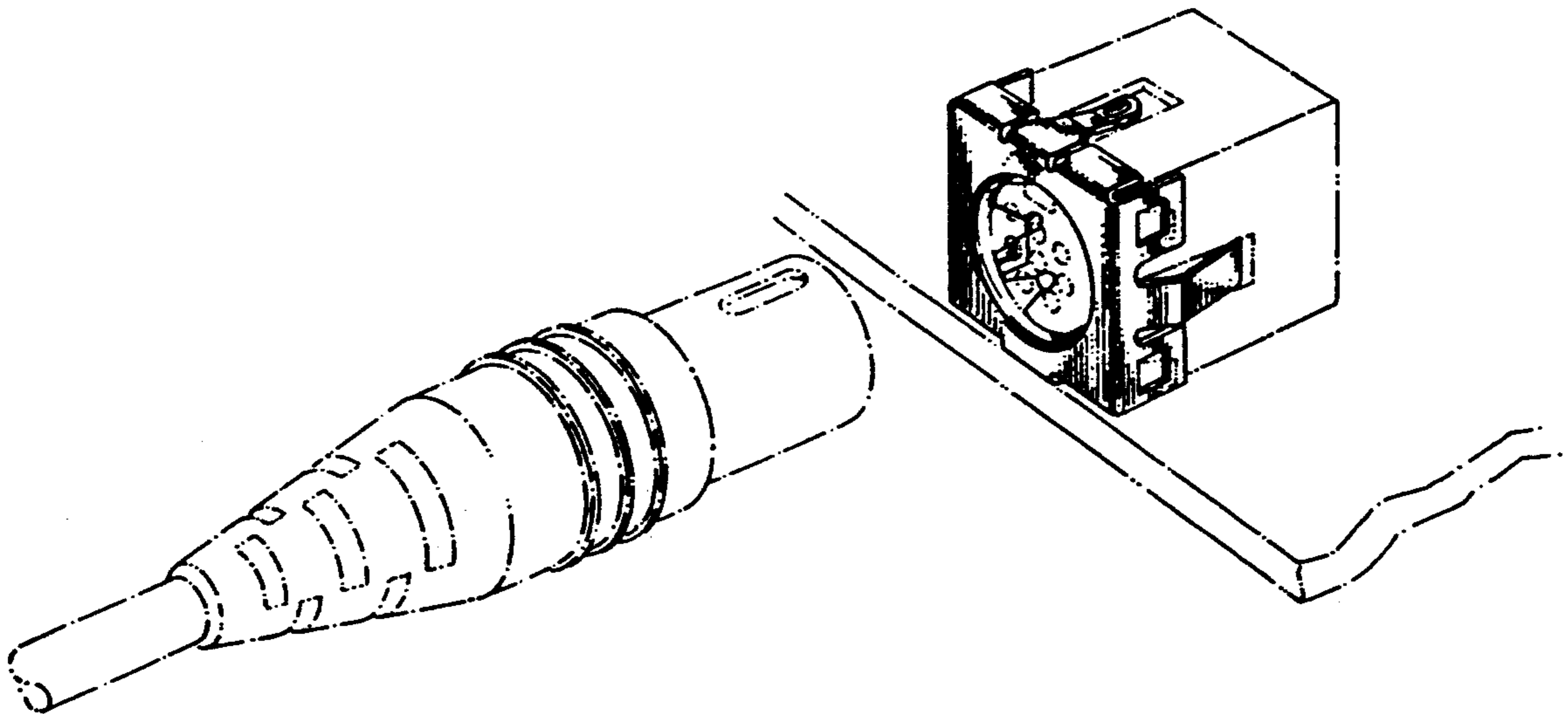


FIG. 1

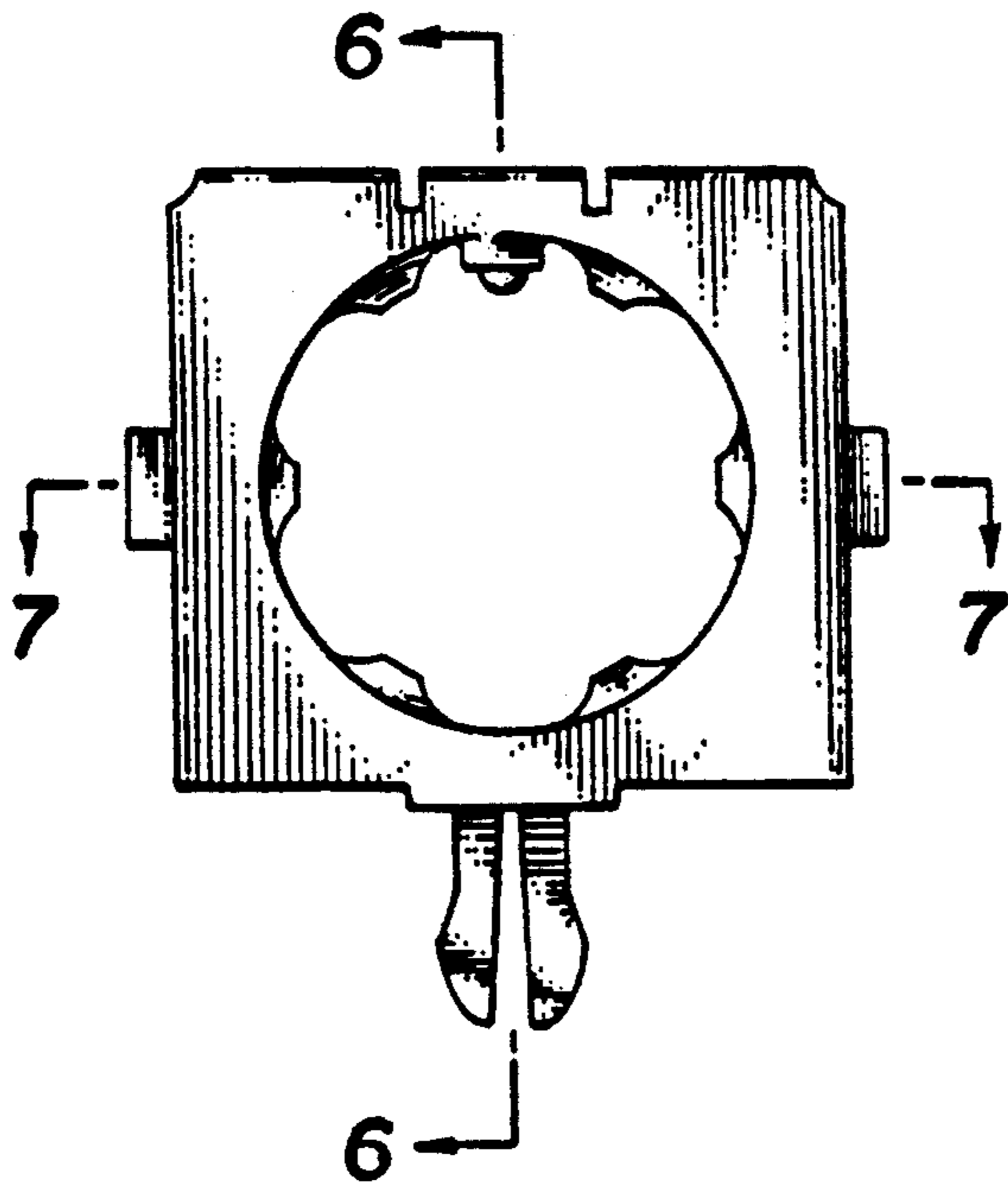


FIG. 2

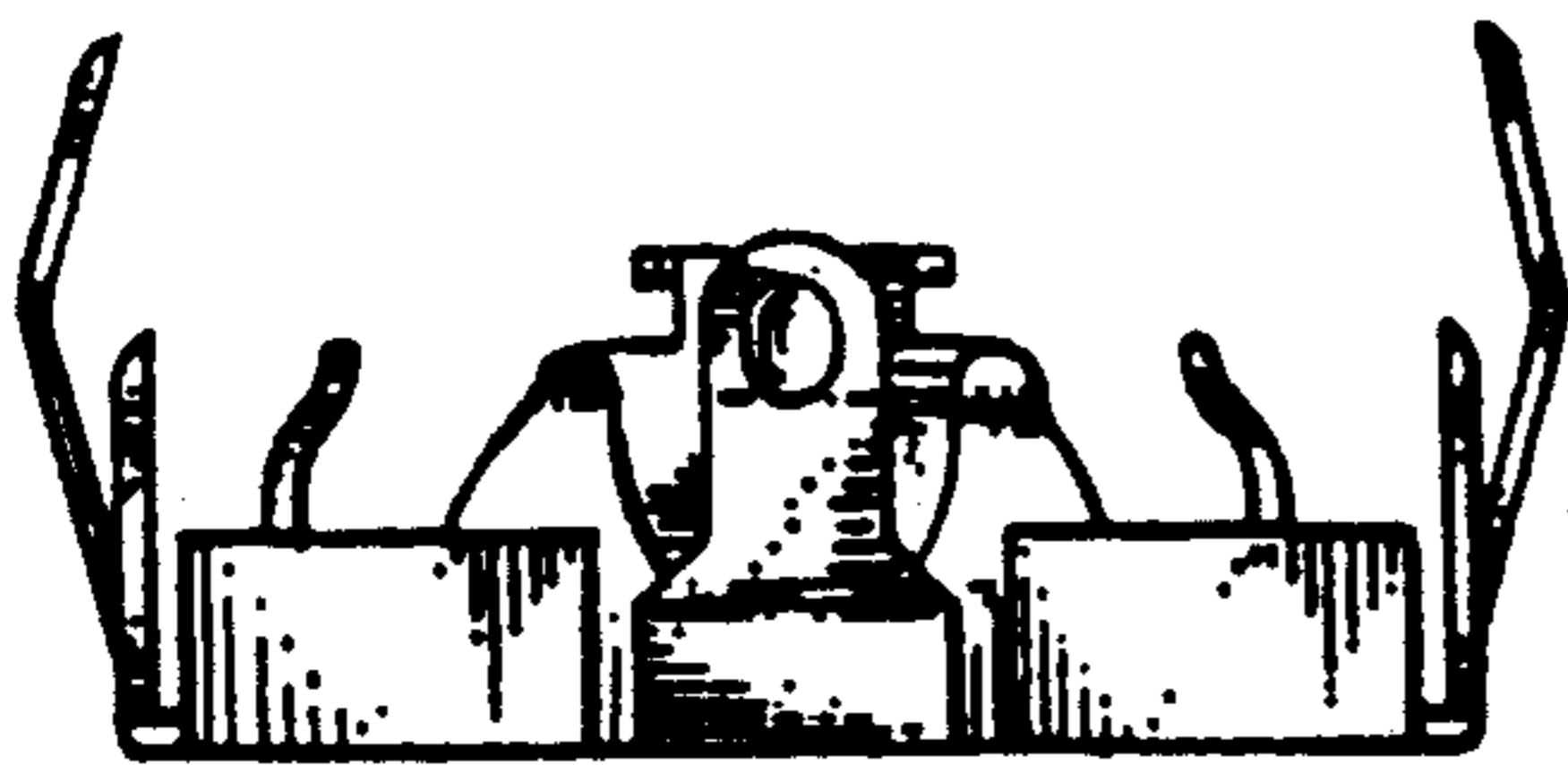
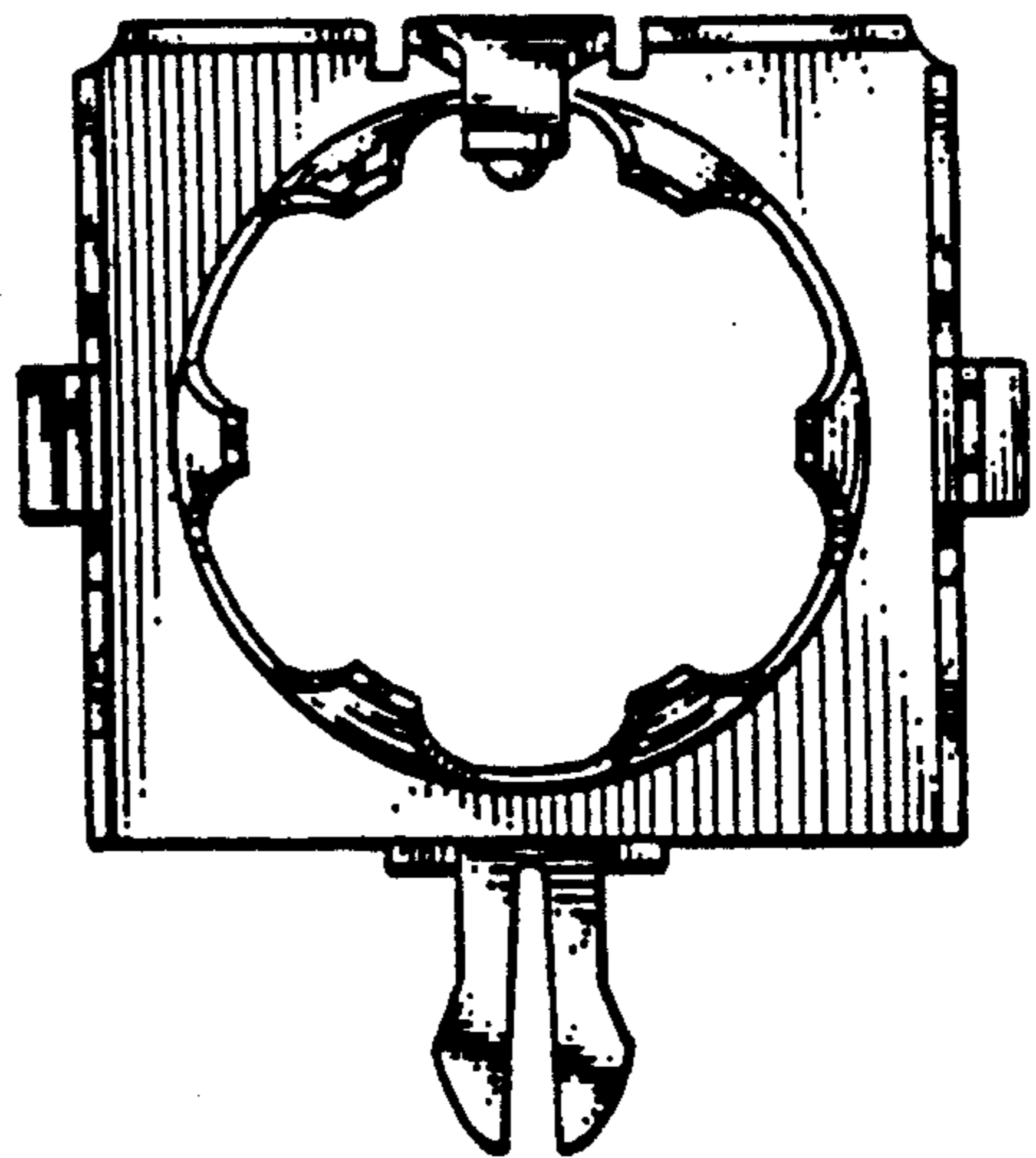


FIG. 3

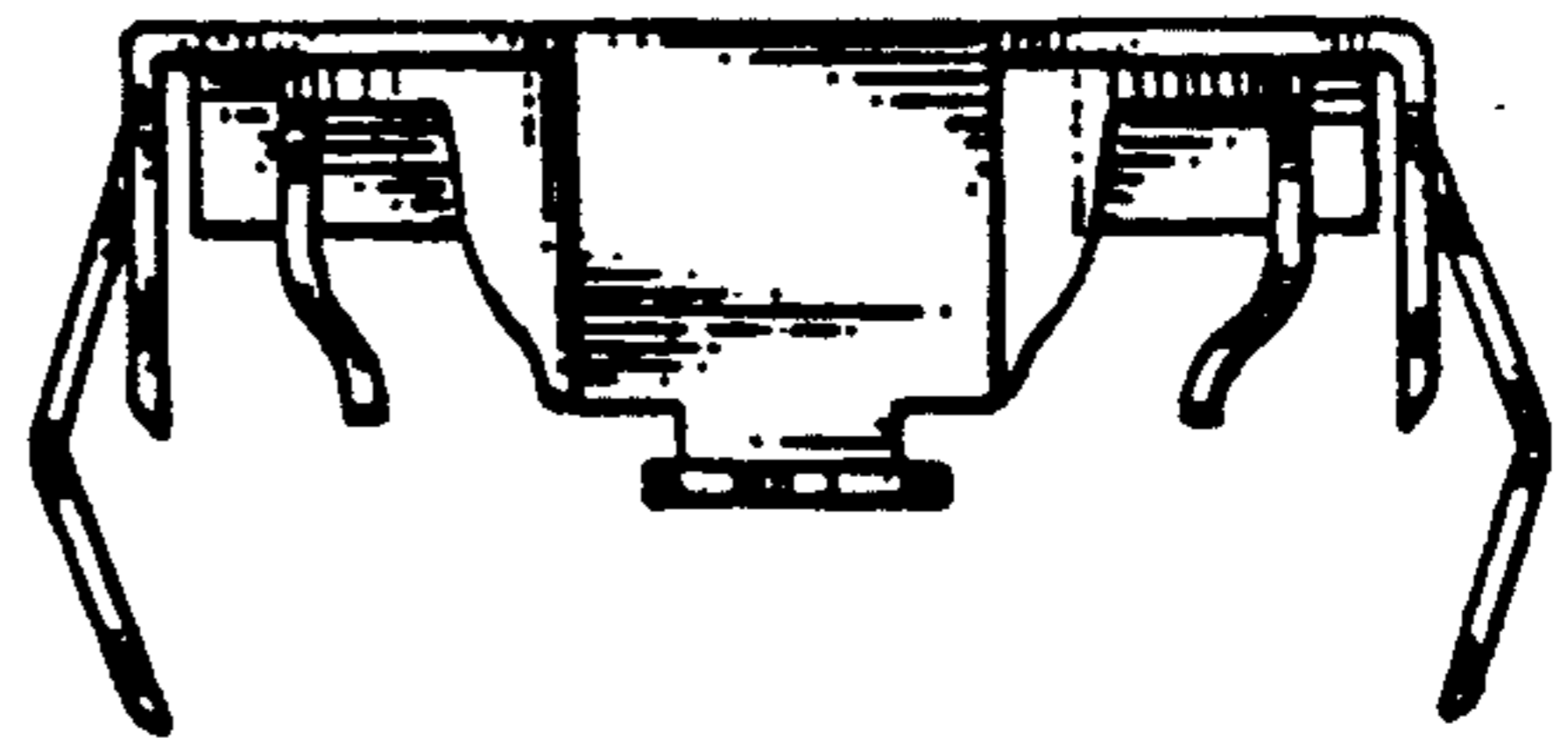


FIG. 4

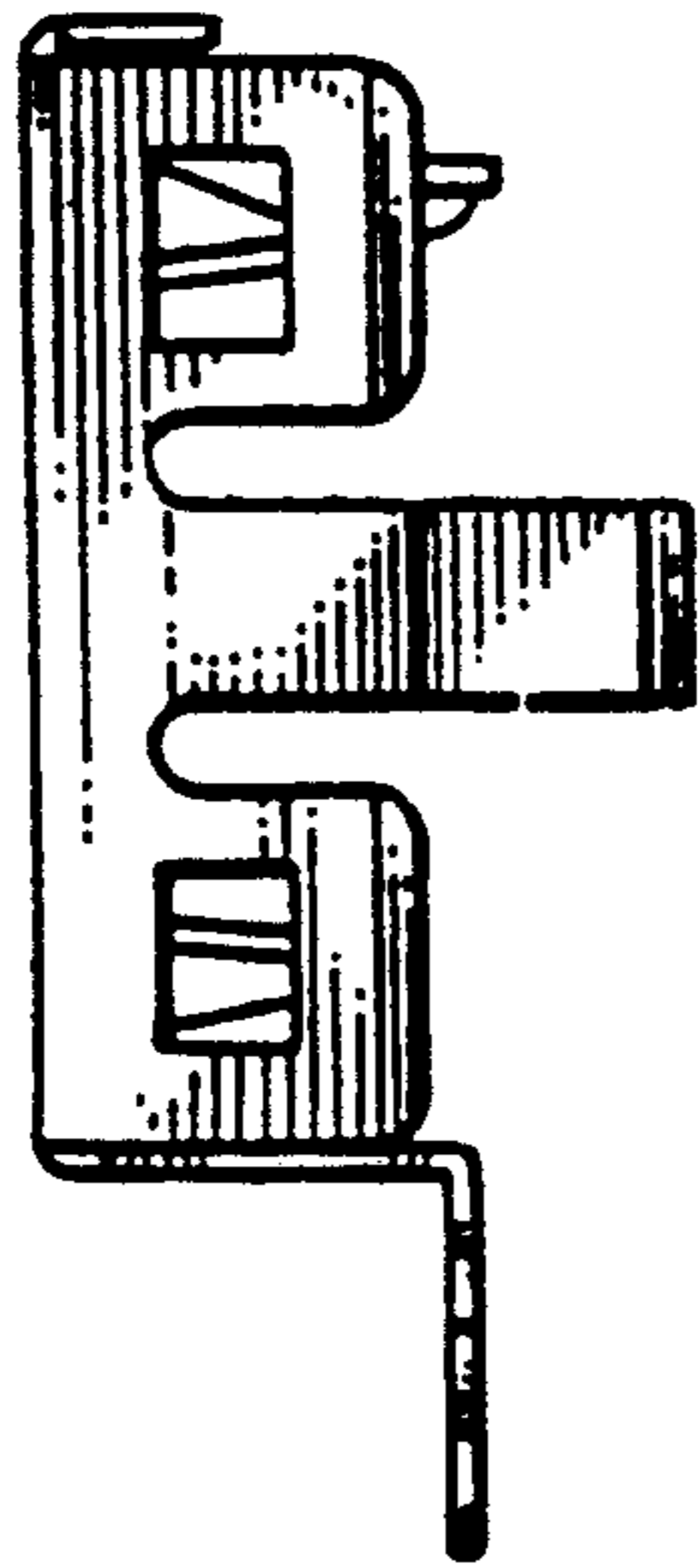


FIG. 5

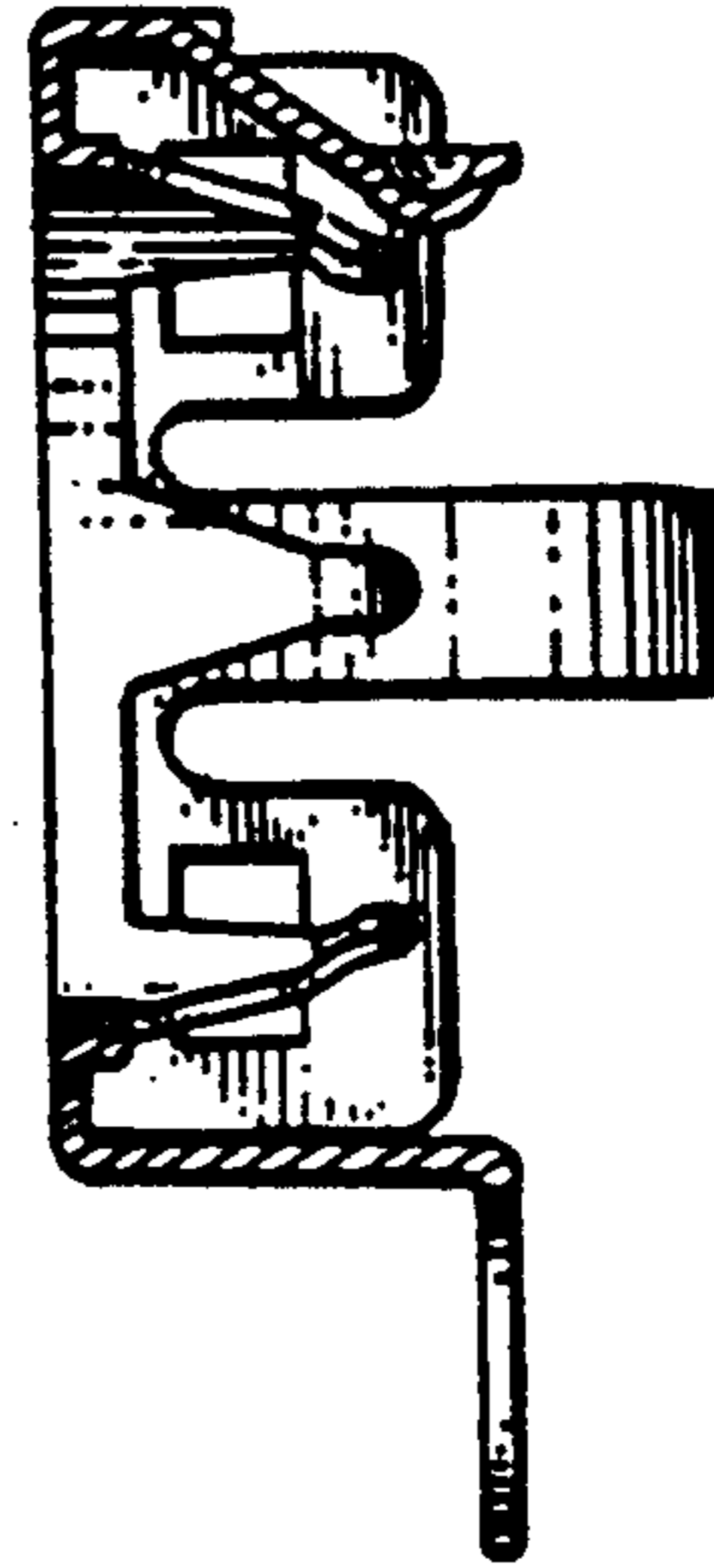


FIG. 6

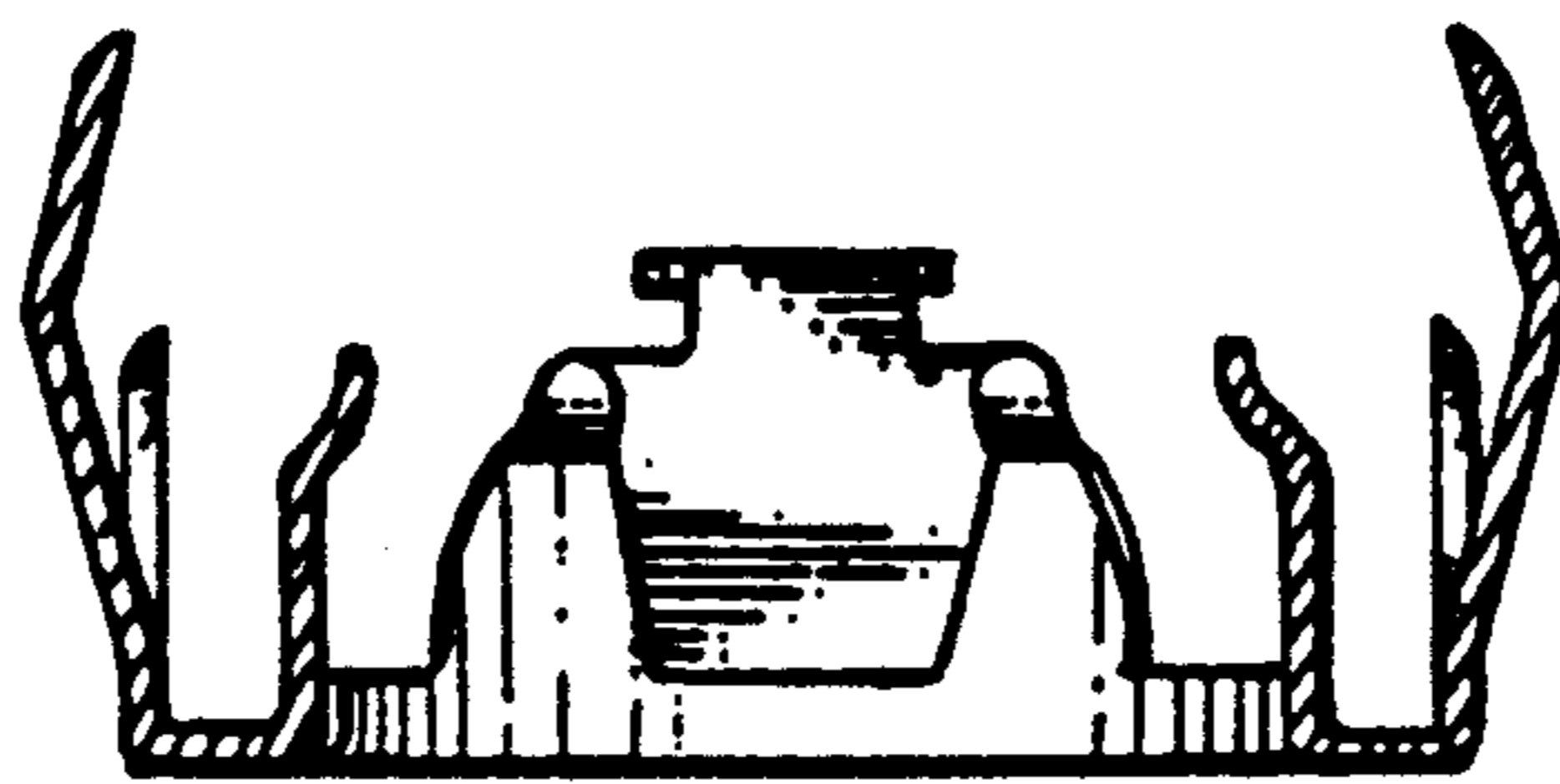


FIG. 7

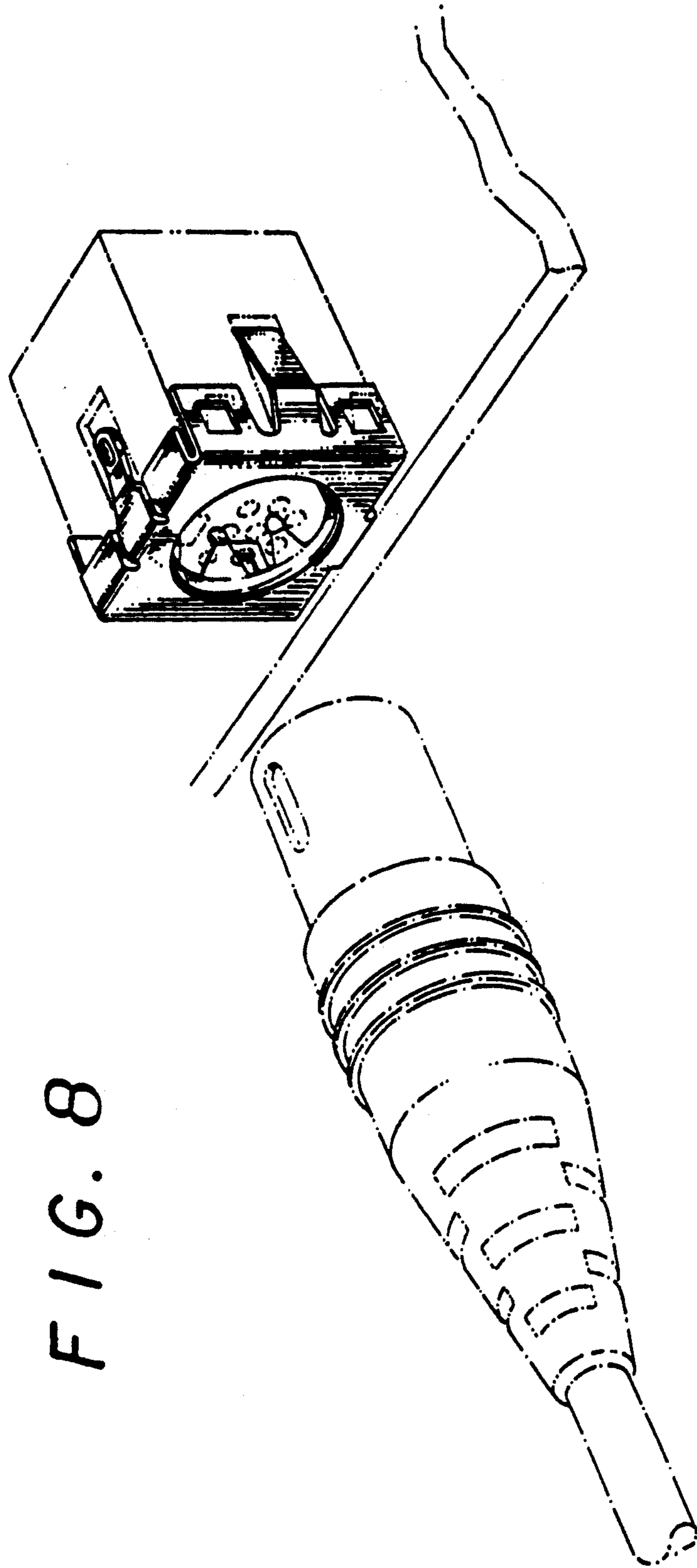


FIG. 8