



US00D344262S

United States Patent [19]

[11] Patent Number: **Des. 344,262**

Bray

[45] Date of Patent: **** Feb. 15, 1994**

[54] COMBINED LAMP SOCKET AND TRACK FOR LOW-VOLTAGE ACCENT LIGHT

[75] Inventor: **Douglas R. Bray, Medford, N.J.**

[73] Assignee: **Sea Gull Lighting, Riverside, N.J.**

[**] Term: **14 Years**

[21] Appl. No.: **825,717**

[22] Filed: **Jan. 22, 1992**

[52] U.S. Cl. **D13/134**

[58] Field of Search **362/227; 439/110, 119, 439/121; D13/134, 136**

[56] References Cited

U.S. PATENT DOCUMENTS

D. 331,222	11/1992	Van Riper et al.	D13/134
3,093,320	6/1963	Knapp	362/227
3,118,616	1/1964	Magazanik	362/227
4,533,190	8/1985	Booty	439/110
4,639,841	1/1987	Salestrom et al.	362/227
4,776,809	10/1988	Hall	439/121 X
4,858,088	8/1989	Agabekov	362/227 X
4,999,755	3/1991	Lin	439/110 X

FOREIGN PATENT DOCUMENTS

0322203	6/1989	European Pat. Off.	439/110
3123296	12/1982	Fed. Rep. of Germany	439/110
1533517	6/1968	France	362/227
0116695	9/1979	Japan	439/110

Primary Examiner—Wallace R. Burke

Assistant Examiner—J. Sincavage

Attorney, Agent, or Firm—Seidel, Gonda, Lavorgna & Monaco

[57] CLAIM

The ornamental design for a combined lamp socket and track for low-voltage accent light, as shown and described.

DESCRIPTION

FIG. 1 is a front and upper left perspective view of a combined lamp socket and track for a low-voltage accent light showing my new design. The broken line showing of the bulb is included for the purpose of illustrating environmental elements only and forms no part of the claimed design;

FIG. 2 is a right side elevational view thereof;

FIG. 3 is a left side elevational view thereof;

FIG. 4 is a front elevational view thereof;

FIG. 5 is a rear elevational view thereof;

FIG. 6 is a top plan view thereof; and,

FIG. 7 is a bottom plan view thereof.

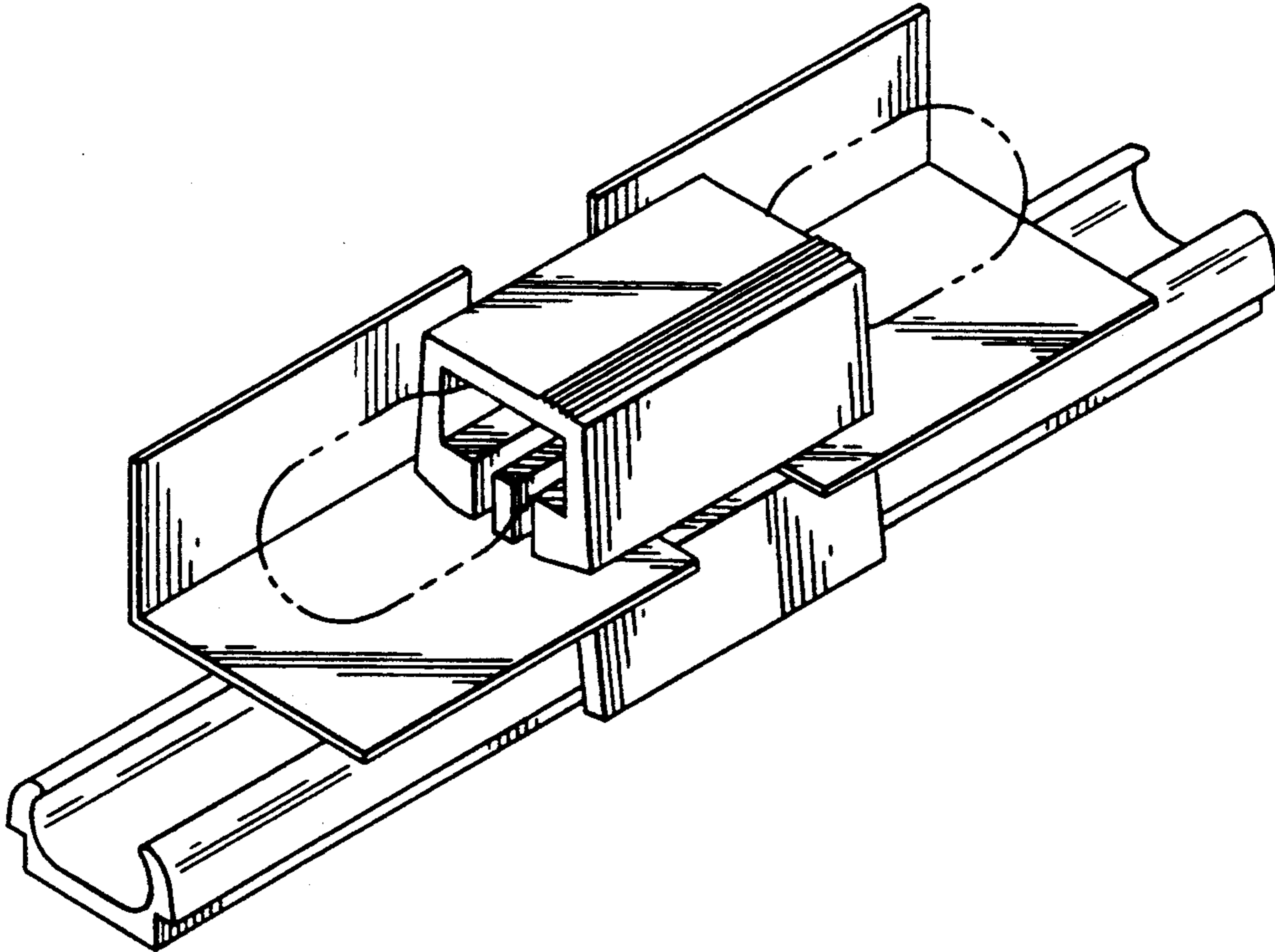


FIG. 1

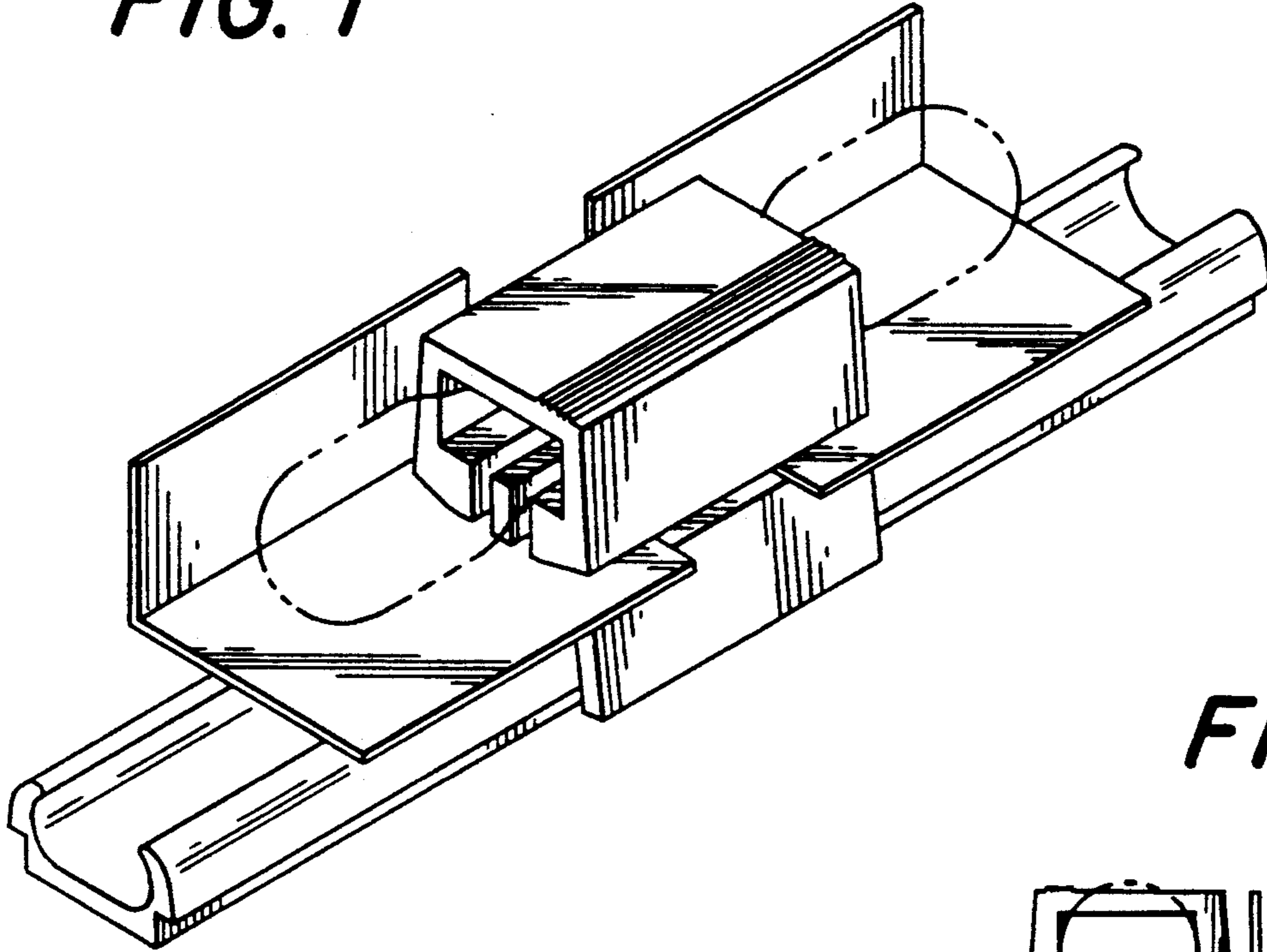


FIG. 2

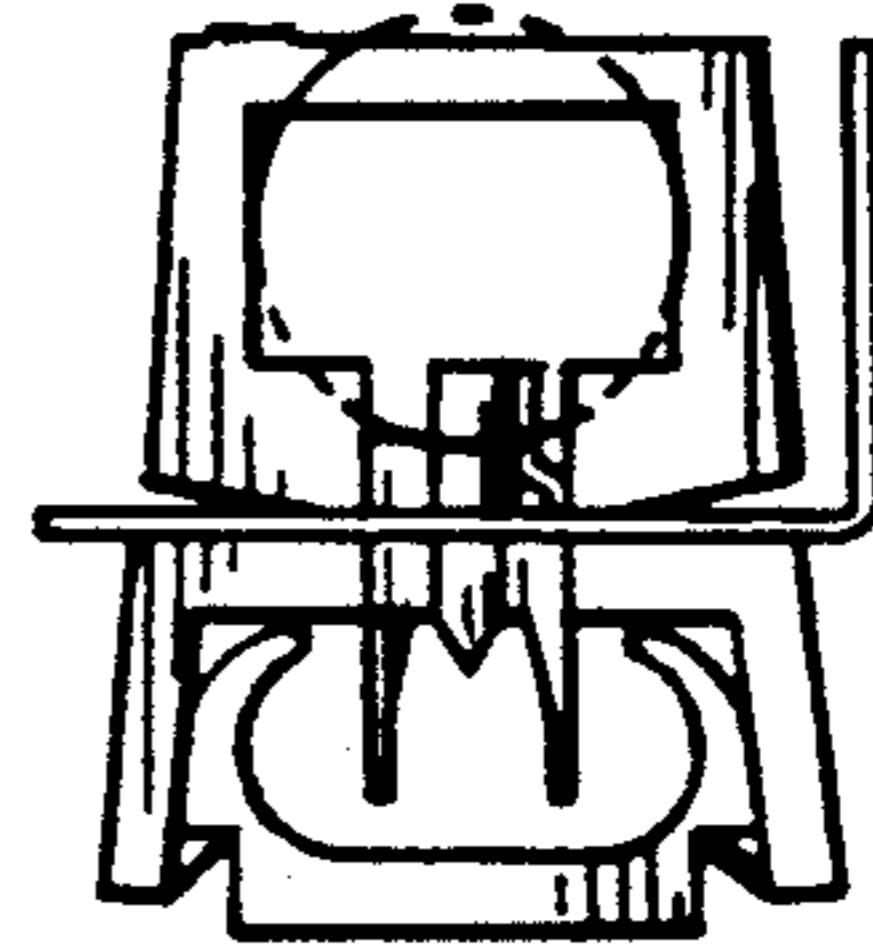


FIG. 3

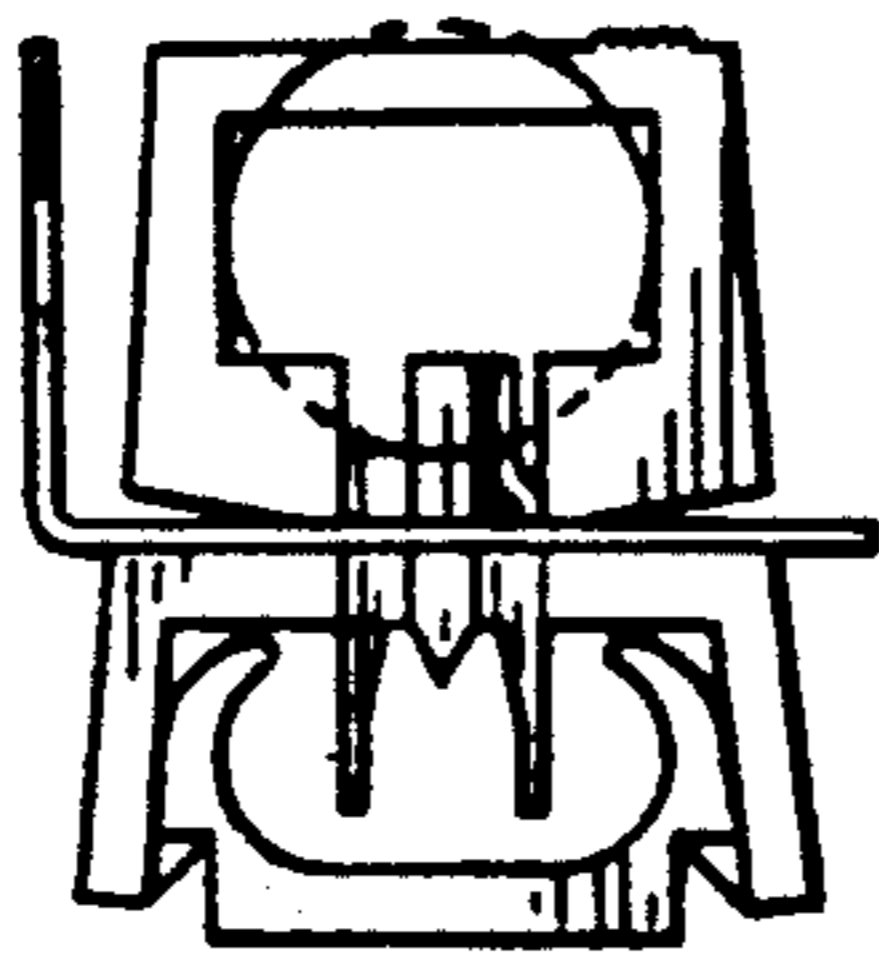


FIG. 4

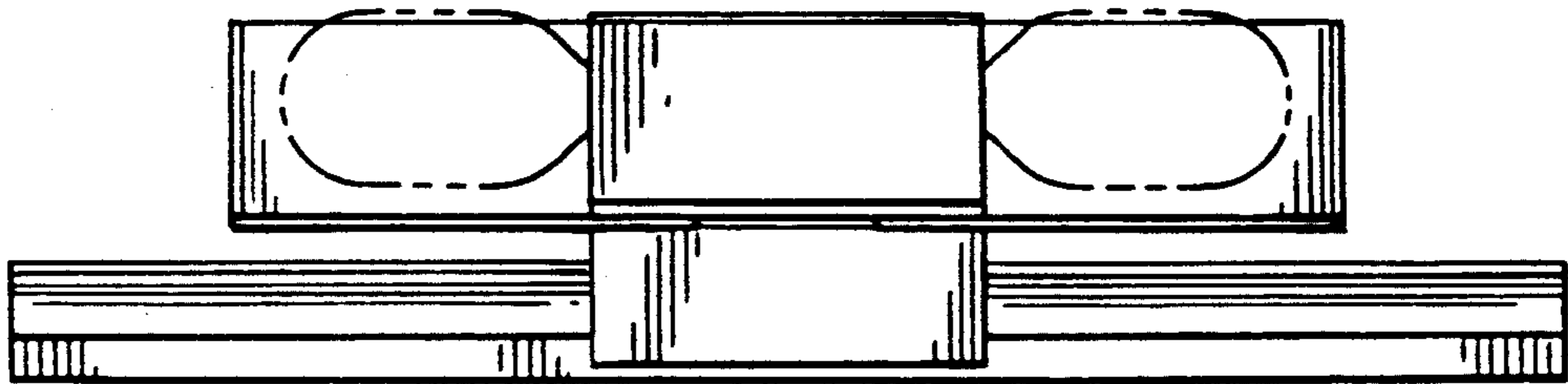


FIG. 5

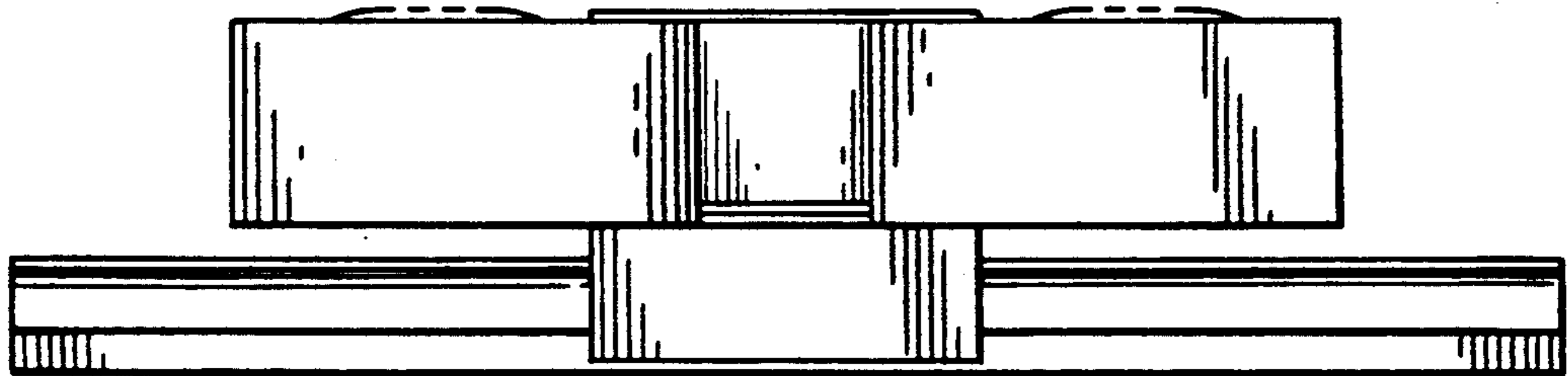


FIG. 6

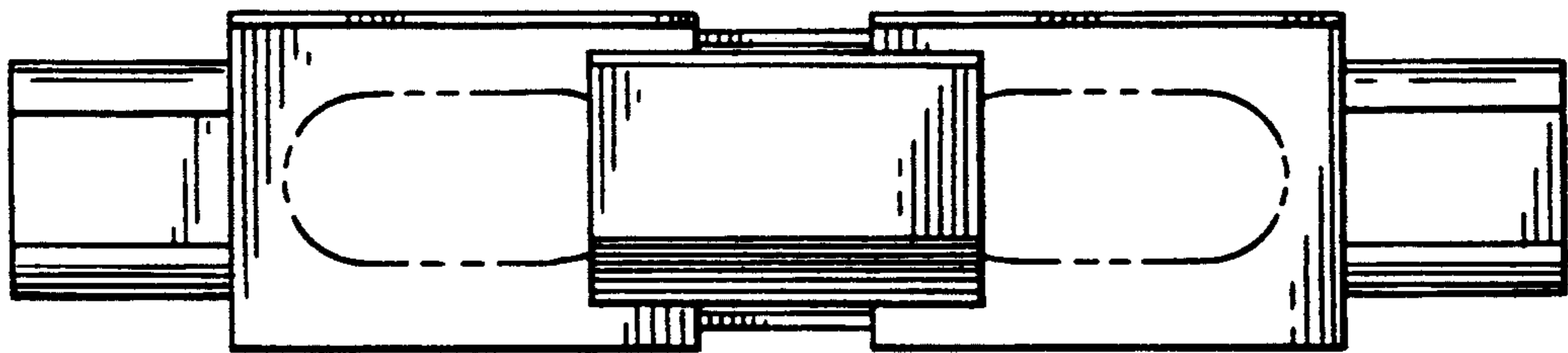


FIG. 7

