



US00D344254S

United States Patent [19]

[11] Patent Number: **Des. 344,254**

Zimmerman

[45] Date of Patent: **** Feb. 15, 1994**

[54] **BELL HOUSING COMPONENT FOR INDEPENDENT REAR SUSPENSION SYSTEM**

5,012,885 5/1991 Hilden 180/354

[76] Inventor: **Wade Zimmerman, 1212 Santa Paula St., Santa Paula, Calif. 93060**

Primary Examiner—Wallace R. Burke
Assistant Examiner—Melody Brown
Attorney, Agent, or Firm—Jessup & Slehofer

[**] Term: **14 Years**

[57] **CLAIM**

[21] Appl. No.: **1,628**

The ornamental design for a bell housing component for independent rear suspension system, as shown and described.

[22] Filed: **Nov. 19, 1992**

[52] U.S. Cl. **D12/159; 180/354**

DESCRIPTION

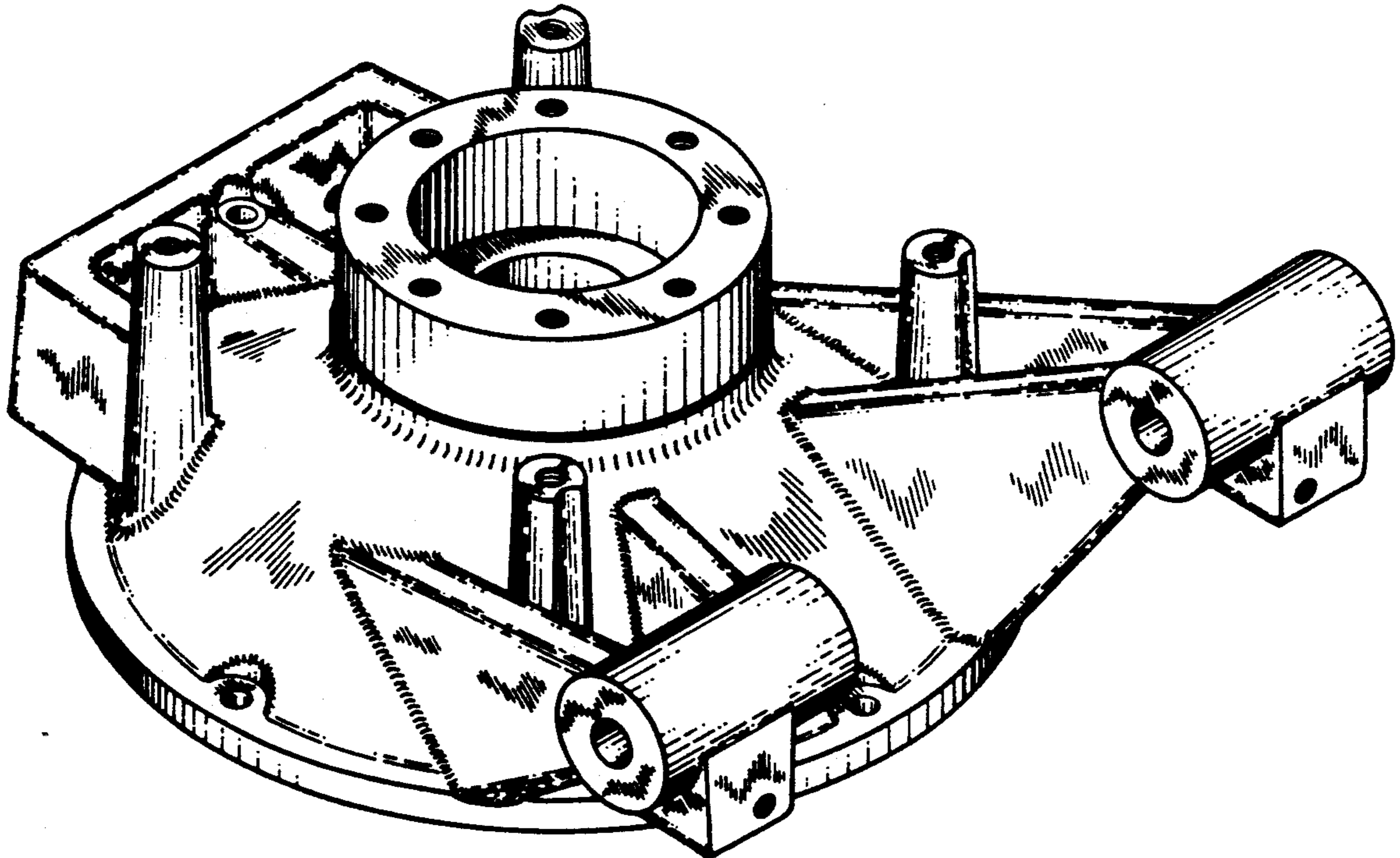
[58] Field of Search **180/352, 353, 354, 355, 180/378; D12/159**

FIG. 1 is a front elevational view of a bell housing component for independent rear suspension system; FIG. 2 is a bottom plan view thereof; FIG. 3 is a rear elevational view thereof; FIG. 4 is a top plan view thereof; FIG. 5 is a right side elevational view thereof, the left side being a mirror image of that shown; and, FIG. 6 is a top and left side perspective view thereof.

[56] **References Cited**

U.S. PATENT DOCUMENTS

| | | | |
|-----------|---------|----------------------|---------|
| 2,988,160 | 6/1961 | Hooven | 180/353 |
| 3,931,863 | 1/1976 | Sugiyama et al. | 180/352 |
| 4,705,128 | 11/1987 | Krude | 180/378 |



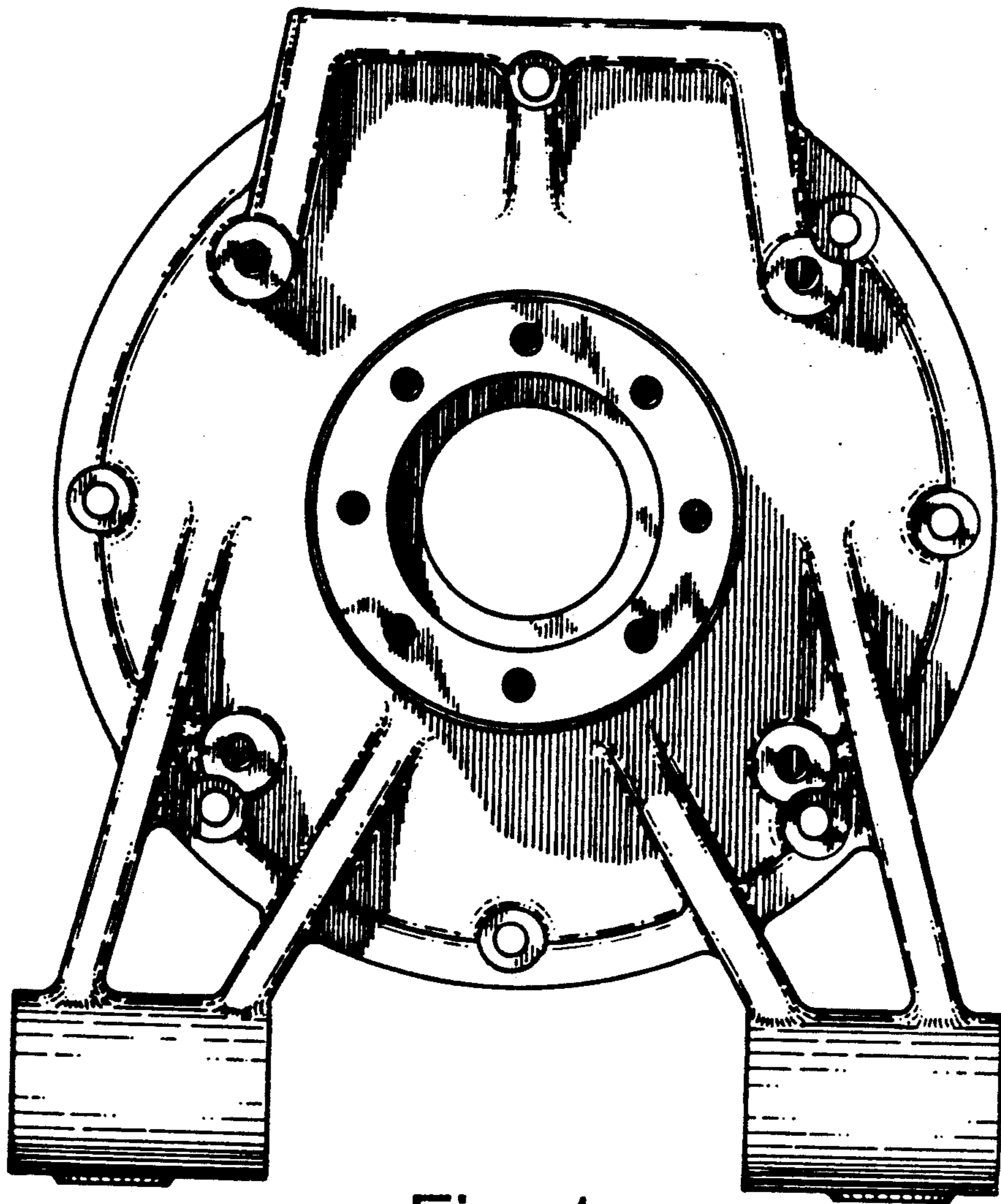


Fig. 1

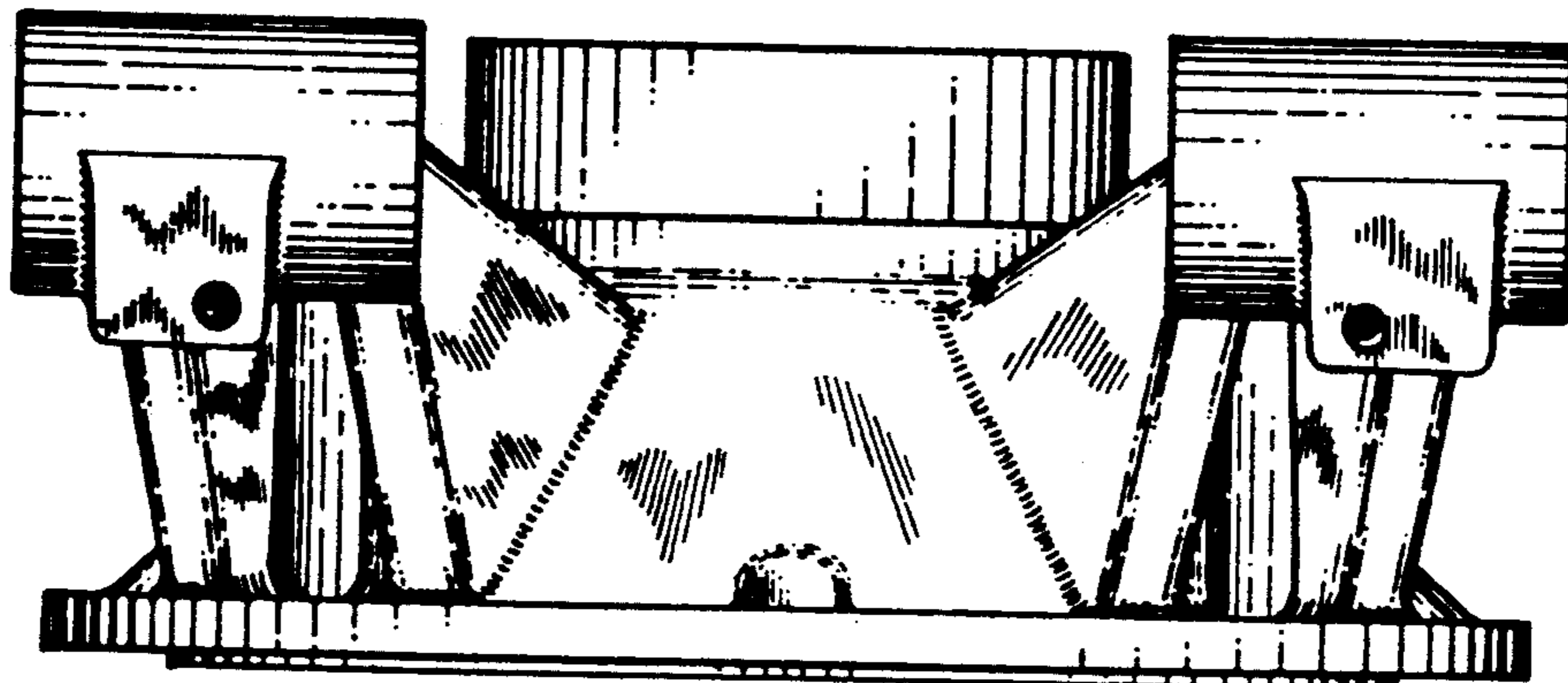


Fig. 2

Fig. 3

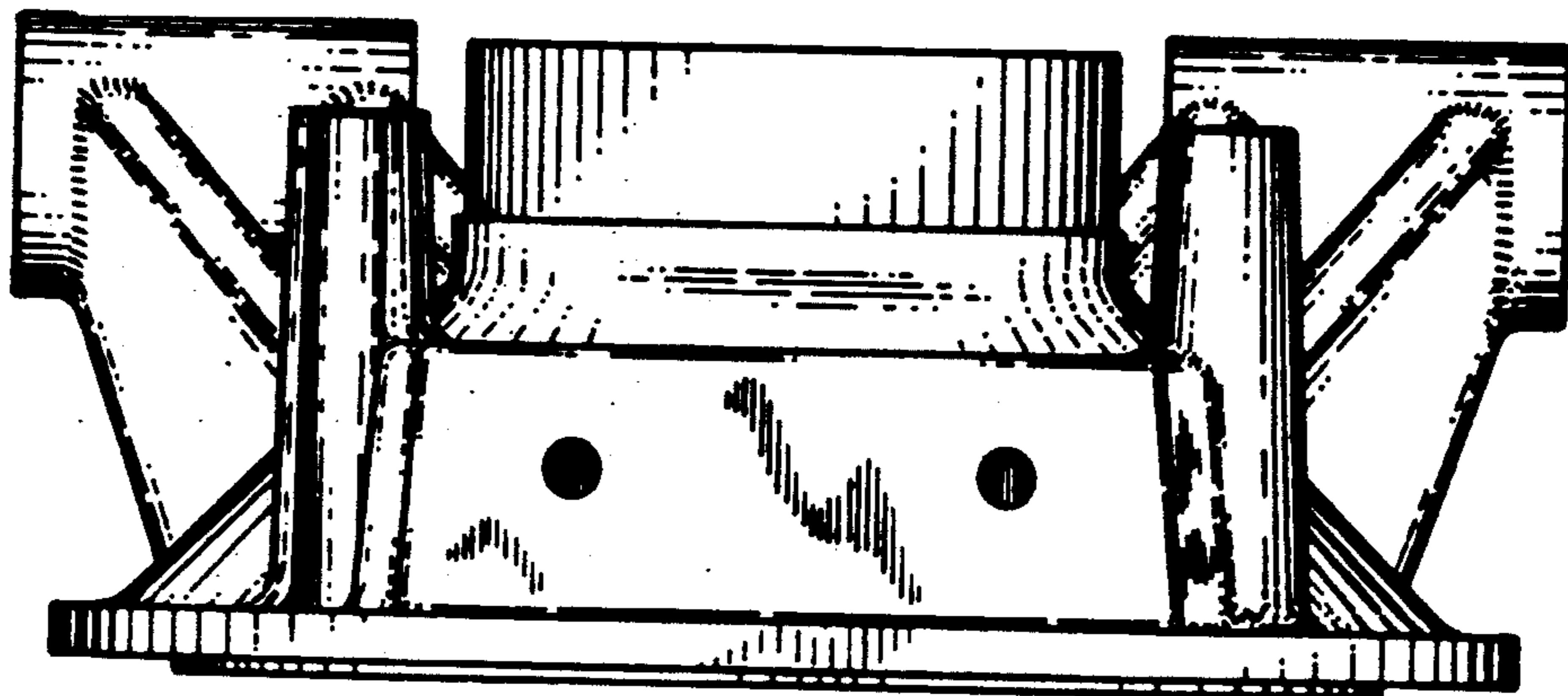
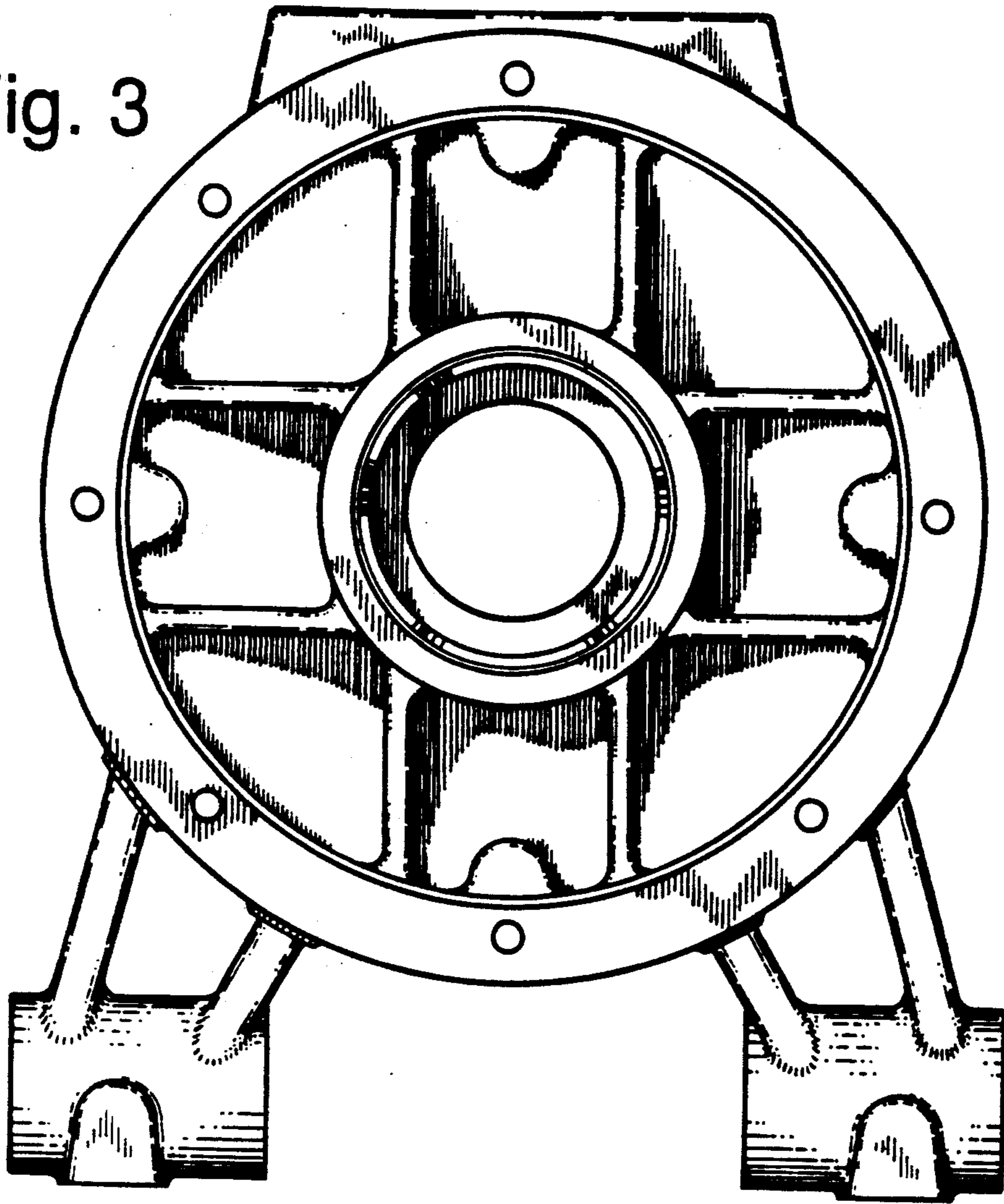


Fig. 4

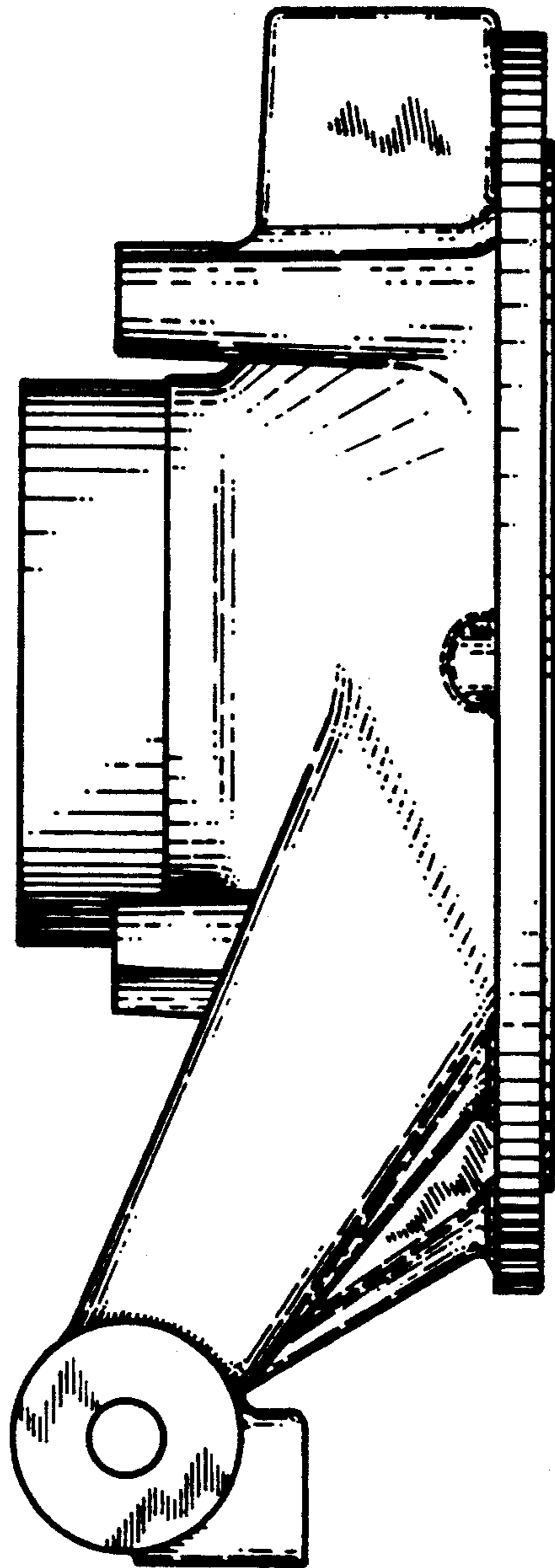


Fig. 5

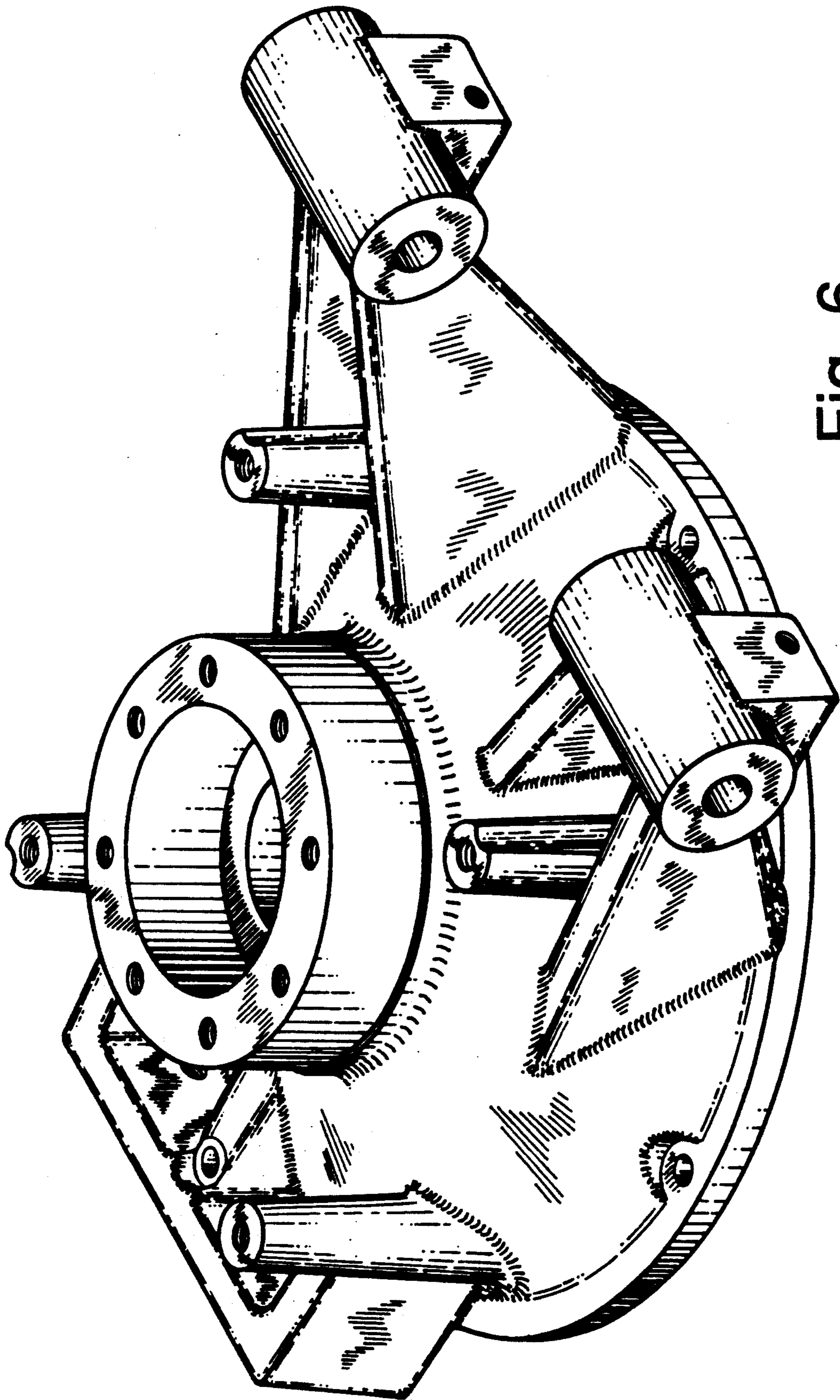


Fig. 6