



US00D344253S

United States Patent [19]

[11] Patent Number: Des. 344,253

Bishop et al.

[45] Date of Patent: ** Feb. 15, 1994

[54] BICYCLE FRONT FORK

[75] Inventors: Stephen J. Bishop, Celina; Andrew J. Bean, Cincinnati; Timothy J. Dietz, Springboro; Michael D. Melton, Farmersville; Ronald J. Schneider, Cleves, all of Ohio

[73] Assignee: Huffy Corporation, Miamisburg, Ohio

[**] Term: 14 Years

[21] Appl. No.: 465

[22] Filed: Oct. 15, 1992

[52] U.S. Cl. D12/118

[58] Field of Search 280/276, 279, 284, 288; D12/118, 111

4,245,826	1/1981	Wirges	267/131
4,342,175	8/1982	Cernansky et al.	46/254
4,493,490	1/1985	Ohma	280/276
4,742,885	5/1988	Tidwell	180/219
4,756,547	7/1988	Trema	280/668
4,881,750	11/1989	Hartmann	280/276
4,971,344	11/1990	Turner	280/276
5,044,648	9/1991	Knapp	280/283

OTHER PUBLICATIONS

American Bicyclist & Motorcyclist, Sep. 1991, p. 77, the Regina MTB Suspension Forks.
American Bicyclist & Motorcyclist, Aug. 1991, p. 31, the RST suspension fork and Kei Hydra-Suspension Fork System.

Primary Examiner—Wallace R. Burke
Assistant Examiner—Melody Brown
Attorney, Agent, or Firm—Biebel & French

[56] References Cited

U.S. PATENT DOCUMENTS

D. 216,382	12/1969	Wolf	D12/118
D. 326,249	5/1992	Chance et al.	D12/118
1,223,572	4/1917	Drew	280/276
1,588,900	6/1926	McGrath	280/276
2,226,712	12/1940	Edgar et al.	280/276
2,233,313	2/1941	Hazelroth	280/276
2,543,991	3/1951	Schuricht	280/276
3,459,441	8/1969	Hornsby	280/276
3,701,544	10/1972	Stankovich	280/276
3,753,578	8/1973	Rupp, II	280/276
3,810,659	5/1974	Marcil	280/276
3,936,076	2/1976	Probst	280/276

[57] CLAIM

The ornamental design for a bicycle front fork, as shown and described.

DESCRIPTION

FIG. 1 is a front perspective view of a bicycle front fork showing my new design;
FIG. 2 is a right side elevational view thereof, the left side being a mirror image of that shown;
FIG. 3 is a top plan view thereof;
FIG. 4 is a bottom plan view thereof;
FIG. 5 is a front elevational view thereof; and,
FIG. 6 is a rear elevational view thereof.

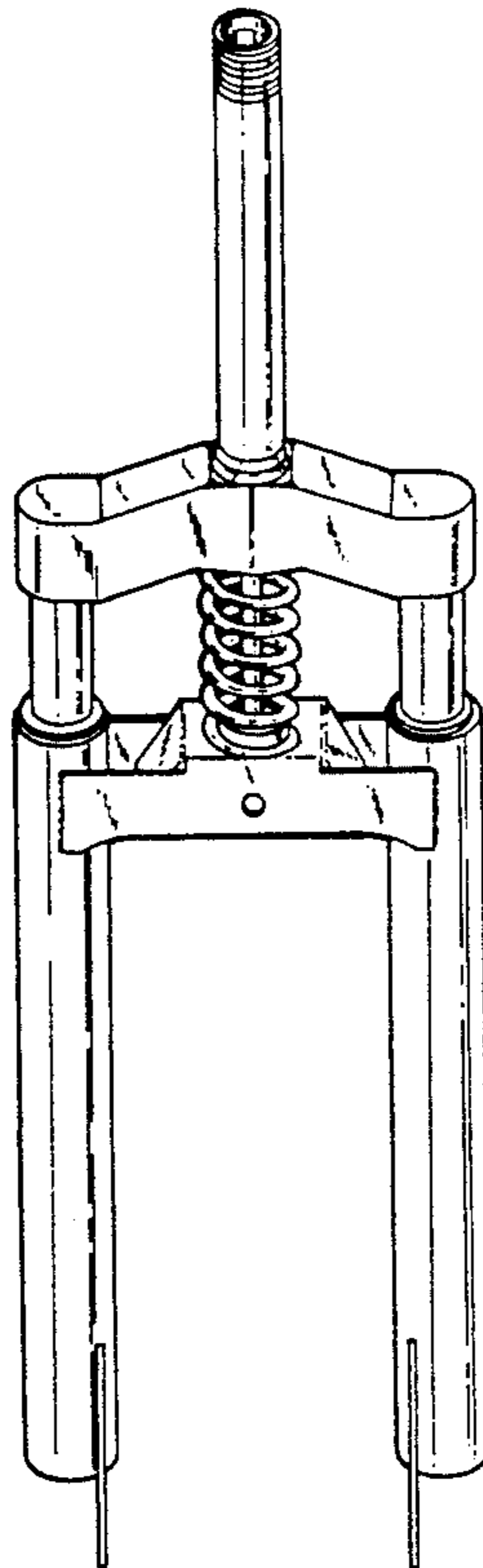


FIG -1

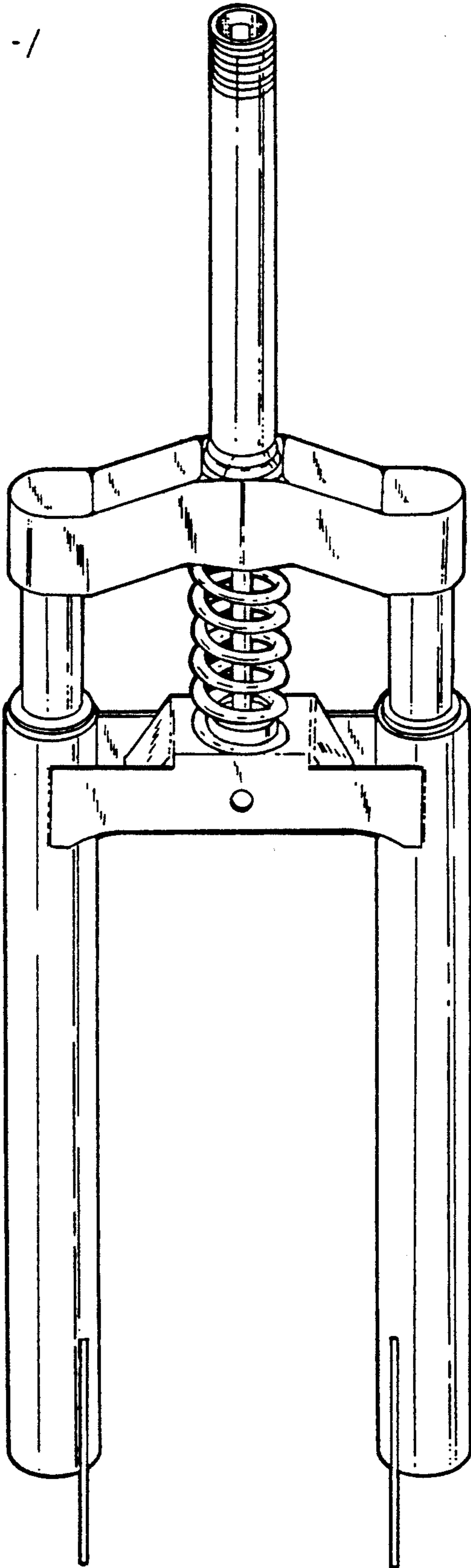


FIG - 2

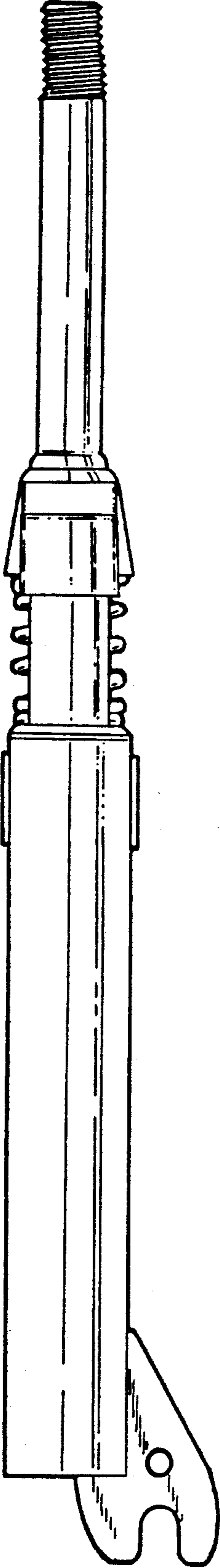


FIG - 3

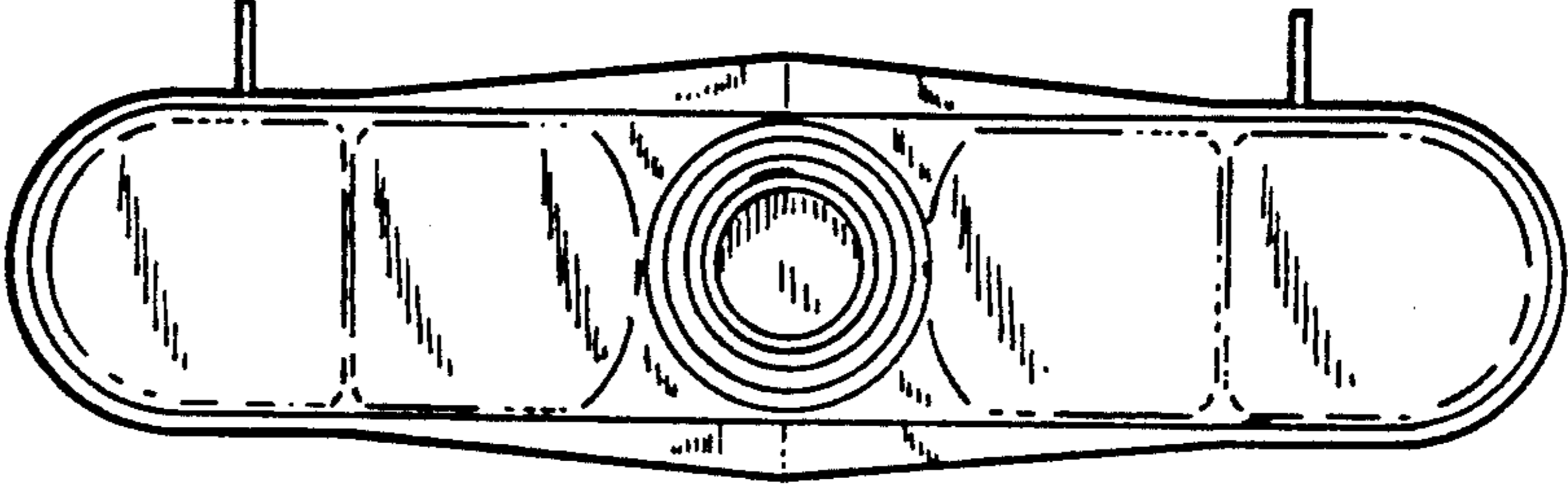


FIG - 4

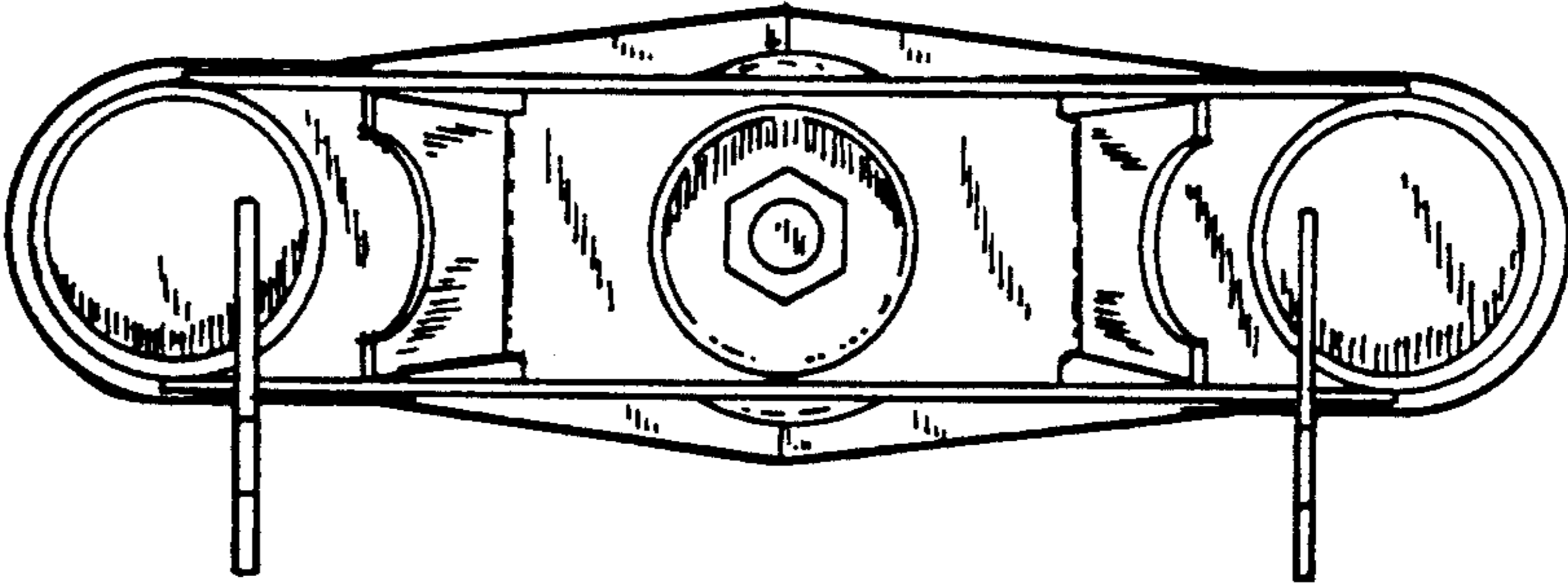


FIG - 5

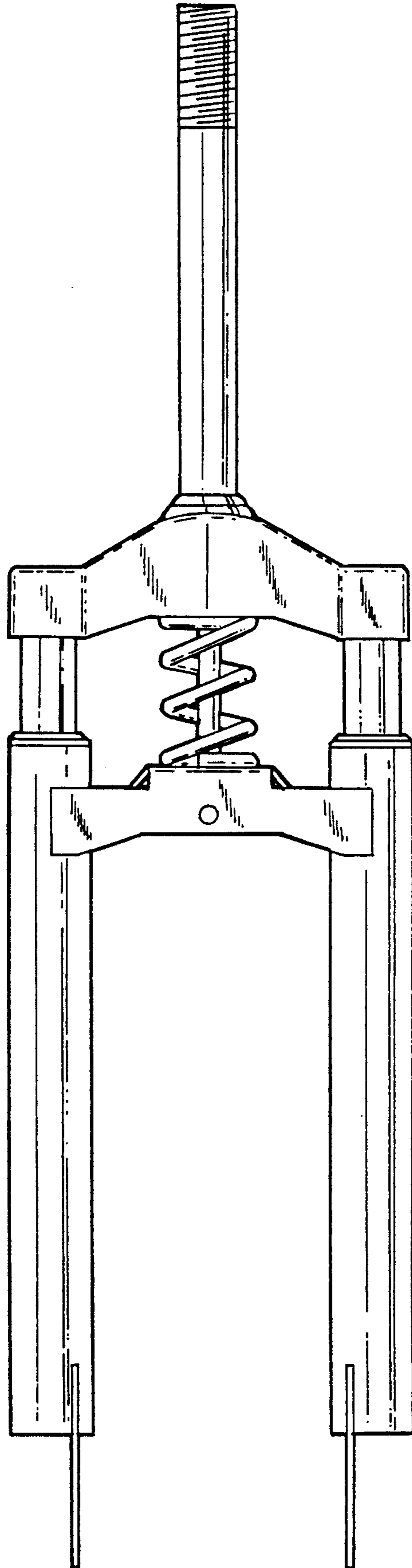


FIG - 6

