



US00D344252S

# United States Patent [19]

[11] Patent Number: **Des. 344,252**

**Choi**

[45] Date of Patent: **\*\* Feb. 15, 1994**

[54] **STUD FOR USE IN SECURING A BUTTON**

[56] **References Cited**

[75] Inventor: **Leung Y. Choi, Hong Kong, Hong Kong**

### U.S. PATENT DOCUMENTS

|           |        |                     |         |
|-----------|--------|---------------------|---------|
| 4,570,307 | 2/1986 | Kanzaka             | 24/90 C |
| 4,607,415 | 8/1986 | Fukuroi             | 24/94   |
| 4,662,033 | 5/1987 | Wieland, Jr. et al. | 24/90 E |

[73] Assignee: **Ching Fung Metal Manufacturing Factory Ltd., Hong Kong**

*Primary Examiner*—A. Hugo Word  
*Assistant Examiner*—R. Seifert  
*Attorney, Agent, or Firm*—Kokjer, Kircher, Bowman & Johnson

[\*\*] Term: **14 Years**

[21] Appl. No.: **802,442**

[57] **CLAIM**

[22] Filed: **Dec. 4, 1991**

The ornamental design for a stud for use in securing a button, as shown.

[30] **Foreign Application Priority Data**

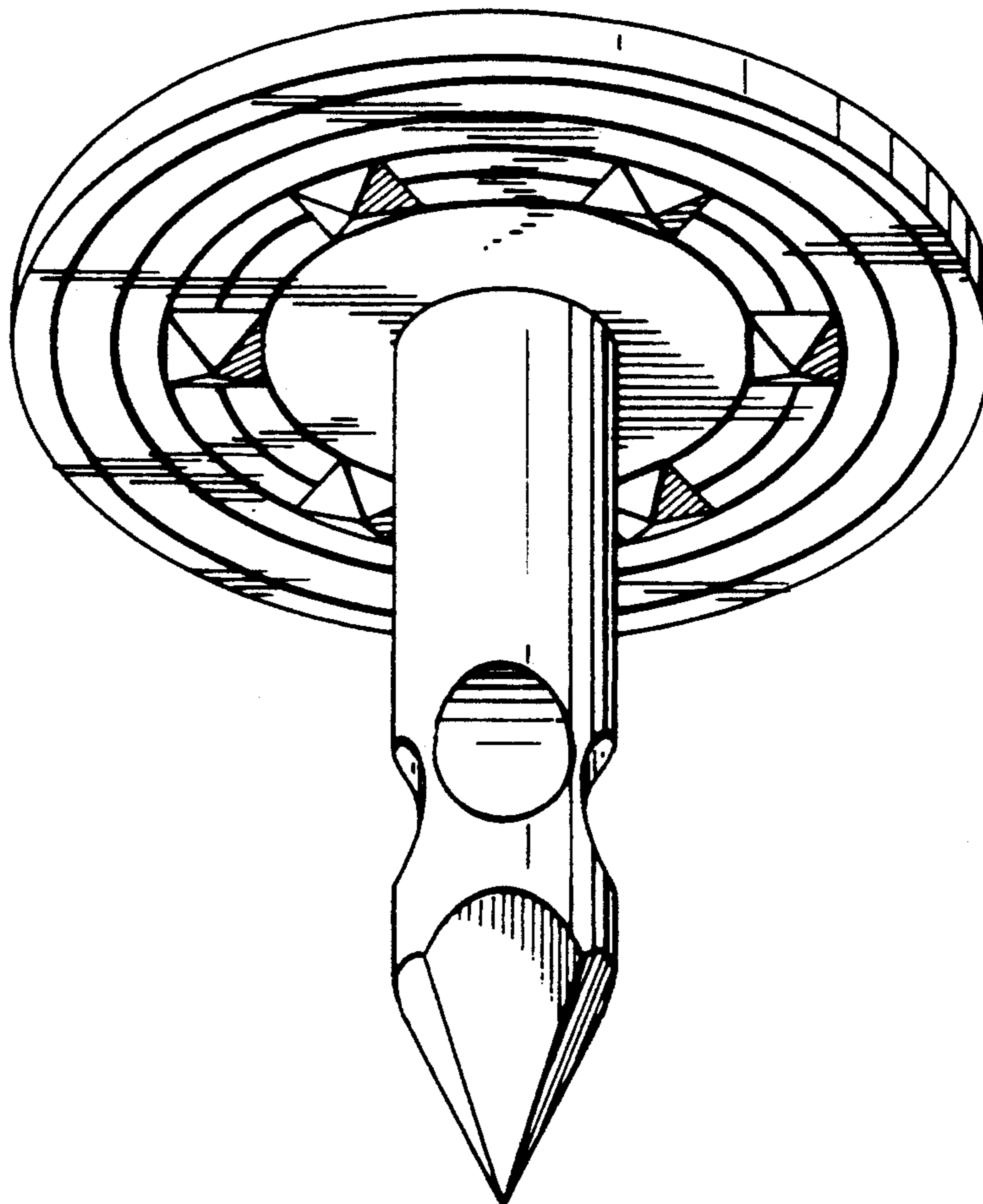
Jun. 5, 1991 [GB] United Kingdom ..... 2015128

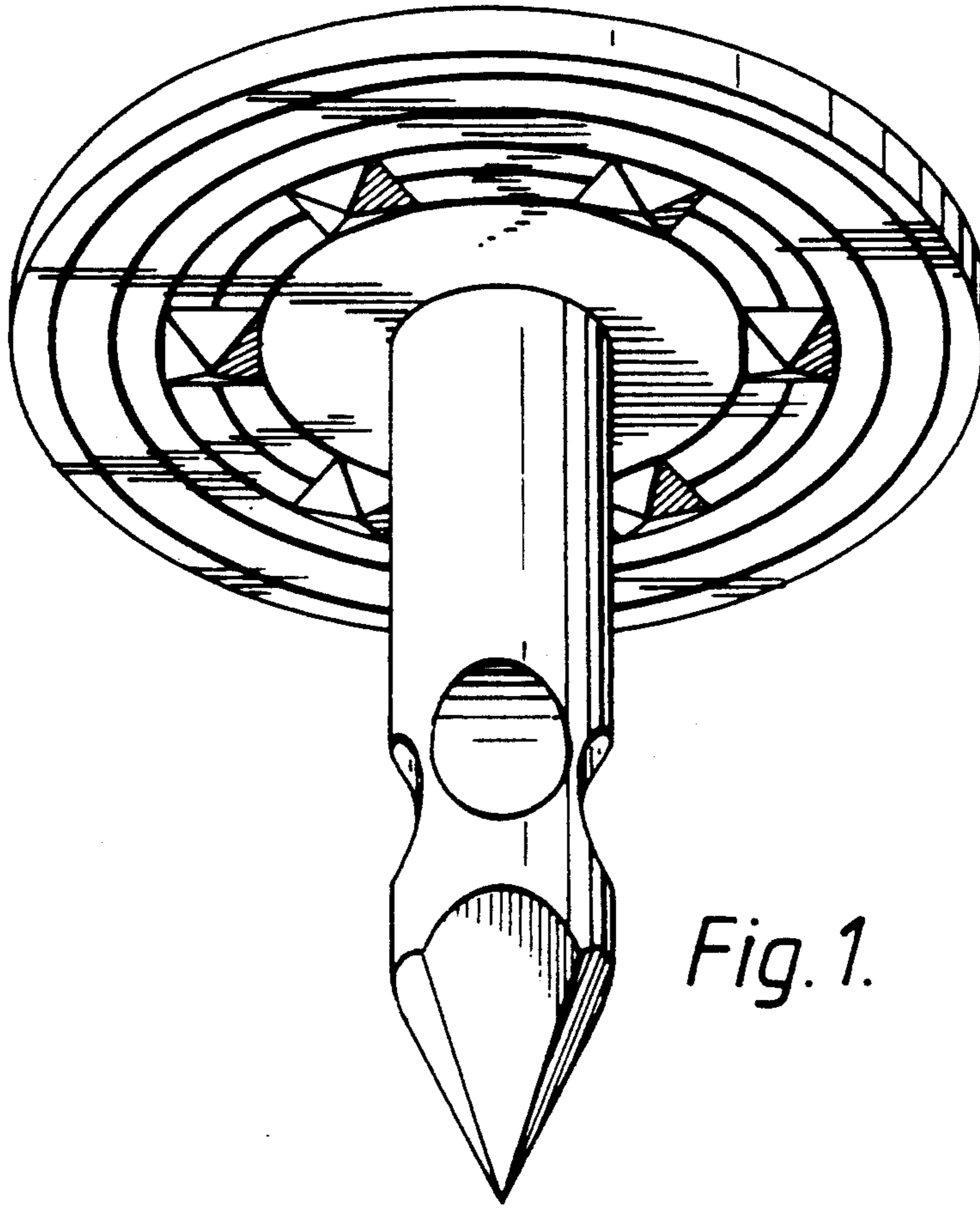
### DESCRIPTION

[52] U.S. Cl. .... **D11/222**

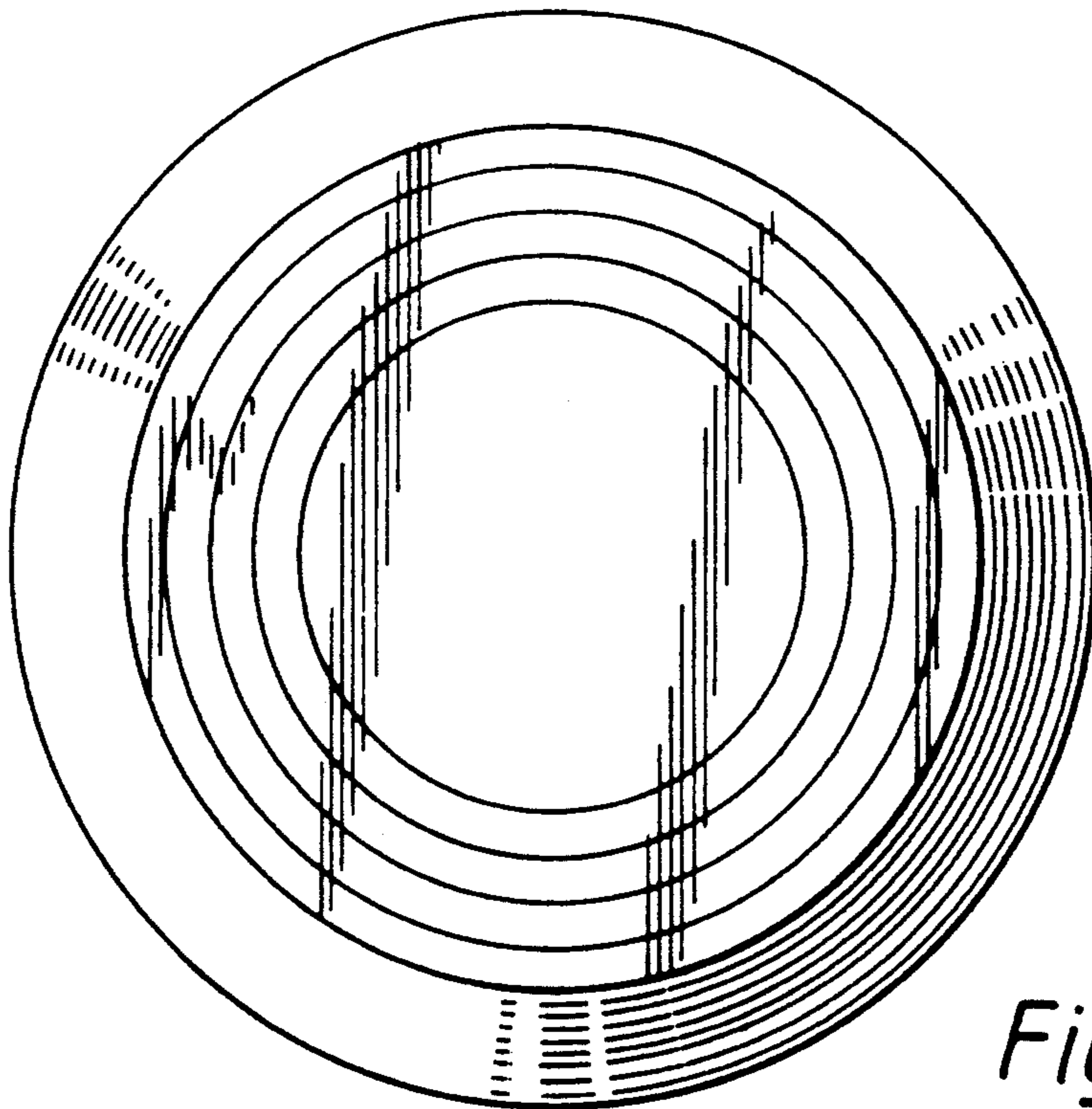
[58] Field of Search ..... 24/94, 95, 92, 113 R,  
24/90 C, 90 E; D11/200, 222, 223, 224, 225,  
226, 227, 228, 86

FIG. 1 is a perspective view from below;  
FIG. 2 is a plan view;  
FIG. 3 is a side view; and,  
FIG. 4 is an underneath plan view.

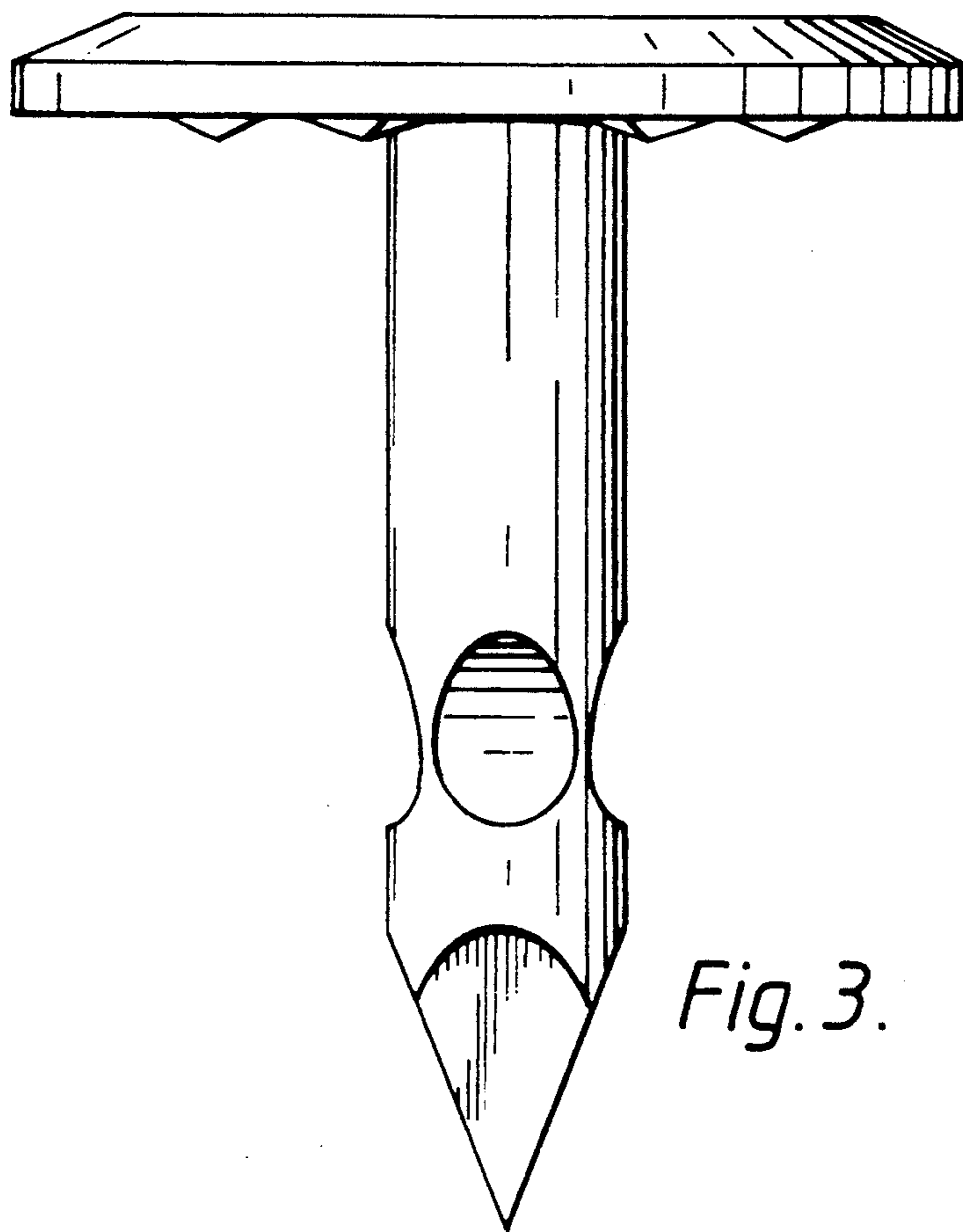




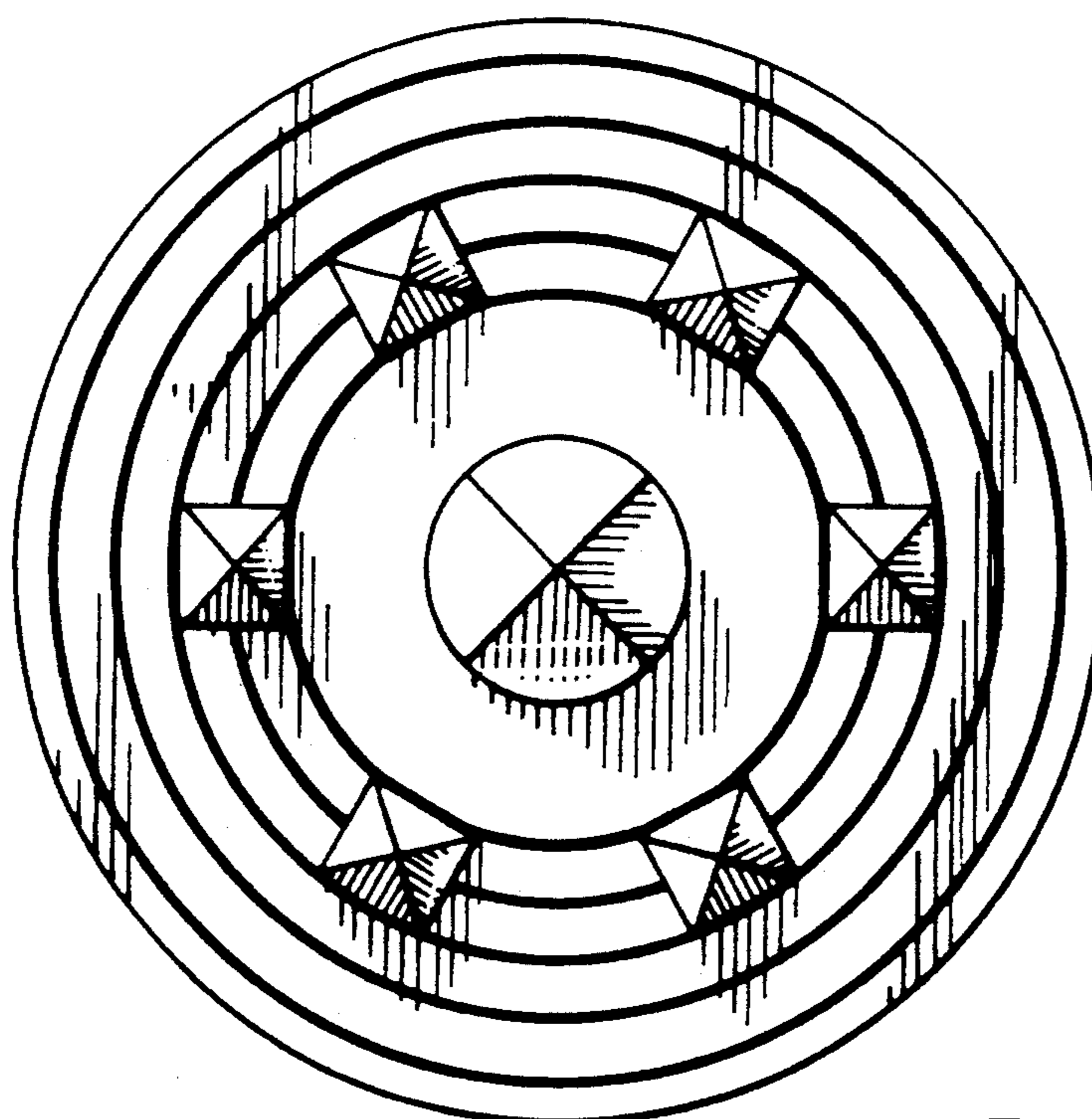
*Fig. 1.*



*Fig. 2.*



*Fig. 3.*



*Fig. 4.*