



US00D344243S

United States Patent [19]

[11] Patent Number: **Des. 344,243**

Peraino et al.

[45] Date of Patent: **** Feb. 15, 1994**

[54] **EMERGENCY VEHICLE WARNING SIGNAL FOR AUTOMOBILES**

4,209,769	6/1980	Chronerberry	340/902
4,649,286	3/1987	Takeda	361/170
4,873,606	10/1989	Pannier	361/170
4,908,732	3/1990	Davis	361/170

[76] Inventors: **Frank Peraino; Matthew Peraino,**
both of 32494 Knollwood, Warren,
Mich. 48092

Primary Examiner—Wallace R. Burke
Assistant Examiner—Marcus Jackson
Attorney, Agent, or Firm—Terry M. Gernstein

[**] Term: **14 Years**

[57] **CLAIM**

[21] Appl. No.: **838,007**

The ornamental design for an emergency vehicle warn-
ing signal for automobiles, as shown and described.

[22] Filed: **Feb. 21, 1992**

[52] U.S. Cl. **D10/104**

[58] Field of Search 340/901, 902, 903, 904,
340/905, 438; D10/104, 106, 109, 121; D26/30,
31, 32, 33

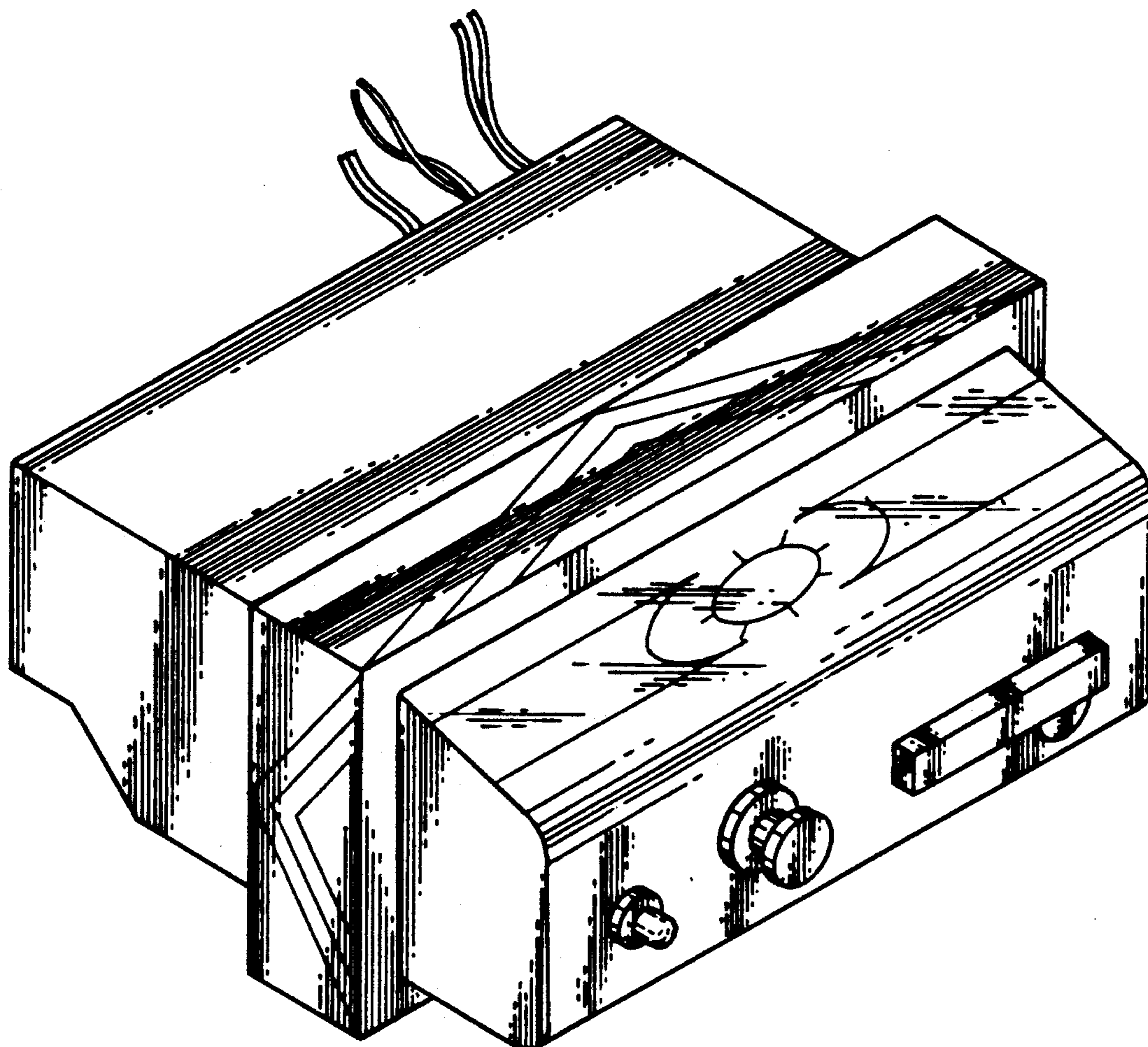
DESCRIPTION

[56] **References Cited**

U.S. PATENT DOCUMENTS

D. 181,956	1/1958	Beckerich	D10/104
D. 188,108	6/1960	Sundberg	D10/104
D. 337,066	7/1993	Thompson	D10/104
3,873,963	3/1975	Neal et al.	340/902
3,876,940	4/1975	Wickord	340/902

FIG. 1 is a perspective view of the emergency vehicle warning signal for automobiles embodying the design, with the wires broken away at the ends to indicate indeterminate length, of the present invention; FIG. 2 is a side elevational view thereof; FIG. 3 is a side elevational view thereof; FIG. 4 is a rear elevational view thereof; FIG. 5 is a front elevational view thereof; FIG. 6 is a top plan view thereof; and, FIG. 7 is a bottom view thereof.



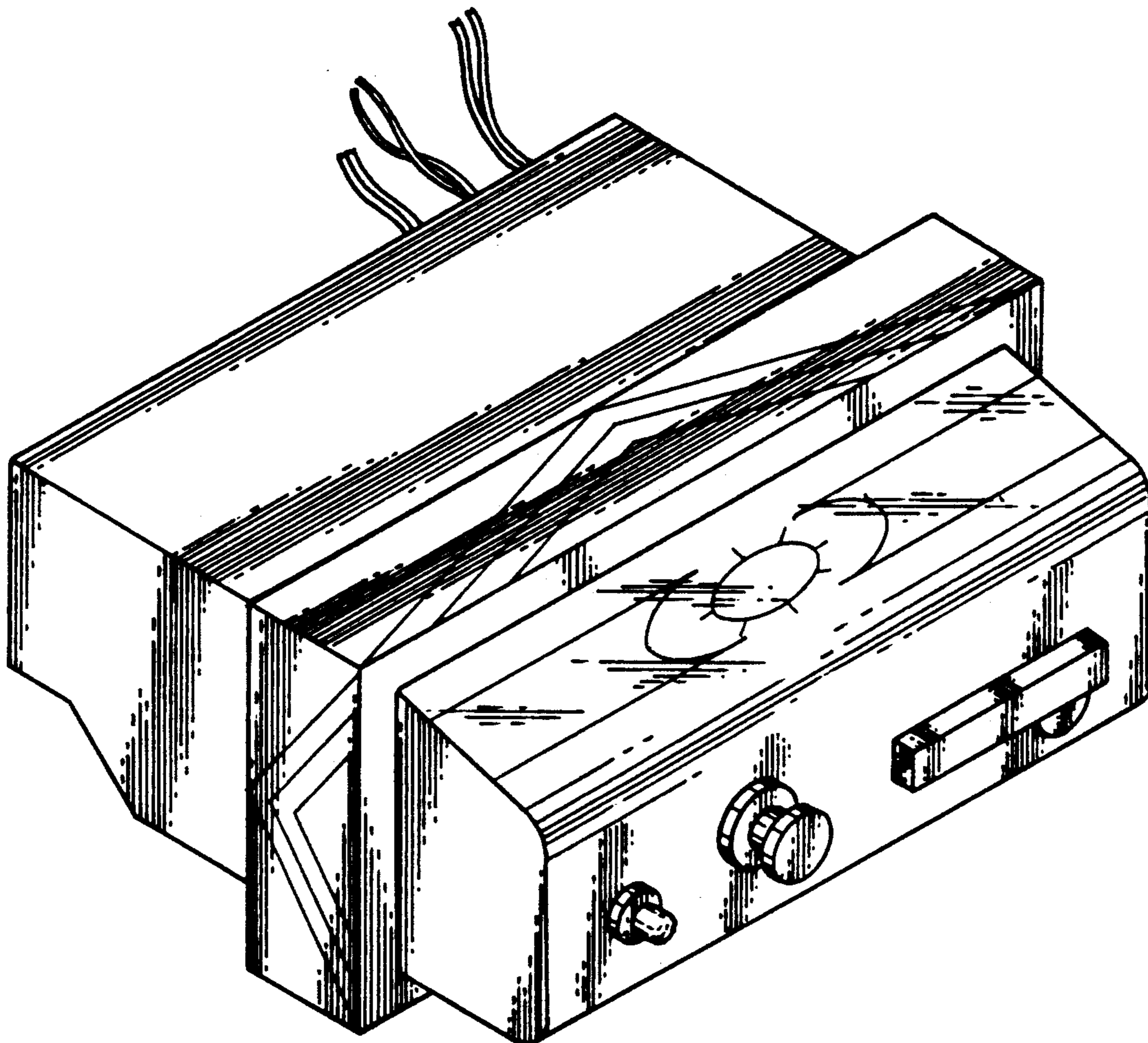


FIG. 1

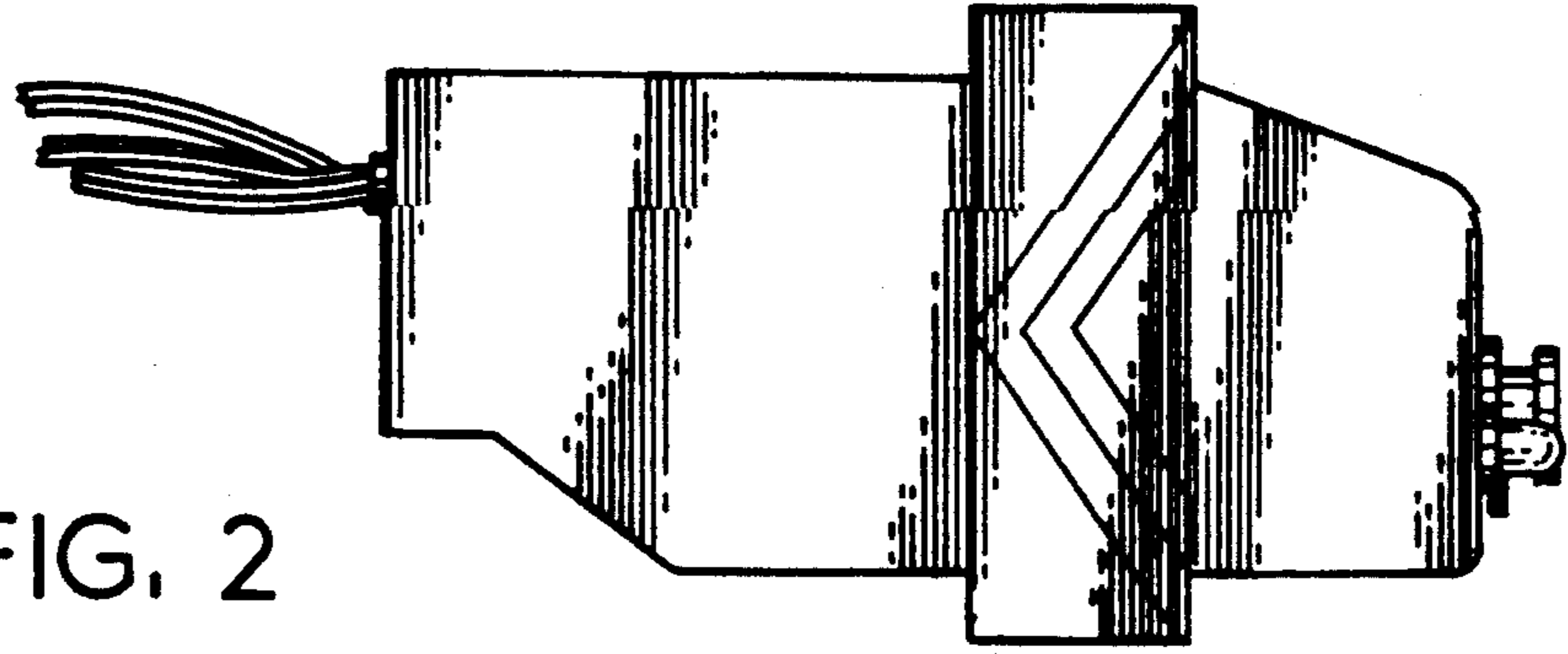


FIG. 2

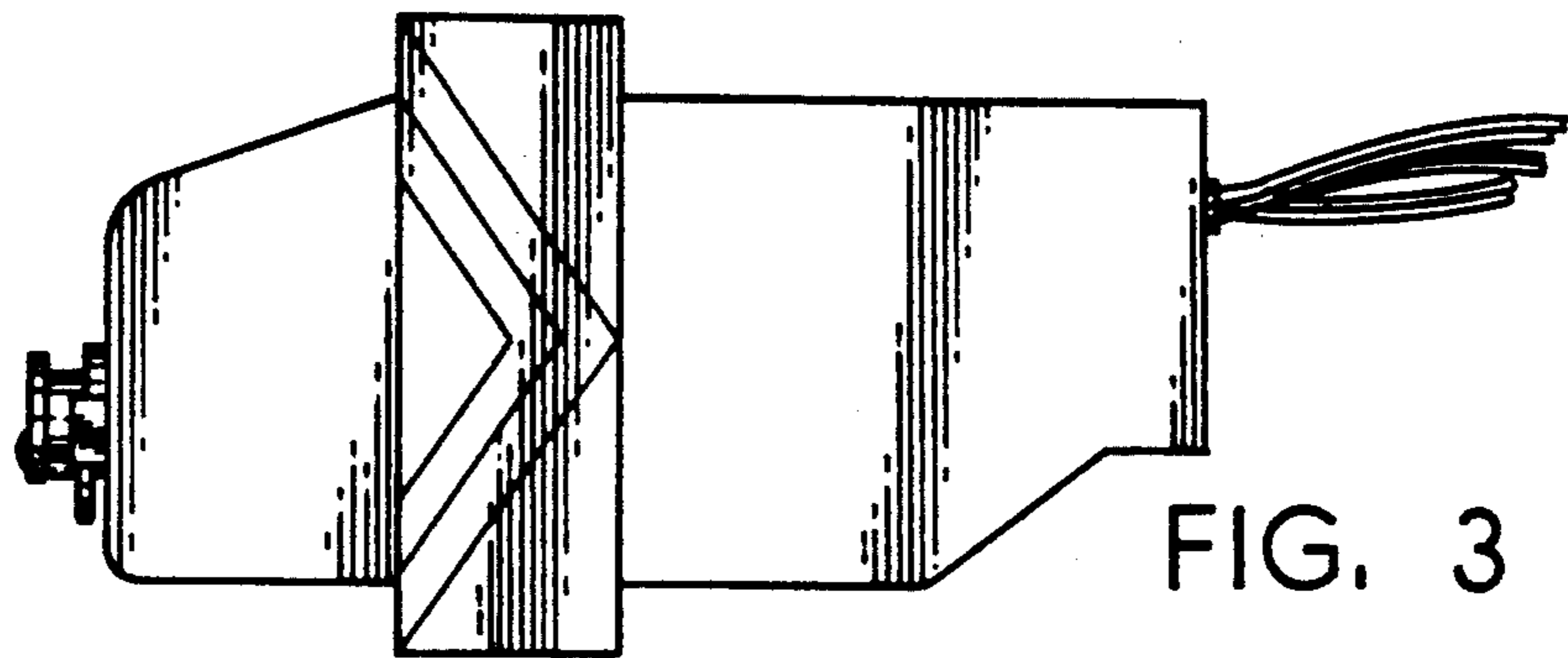


FIG. 3

FIG. 4

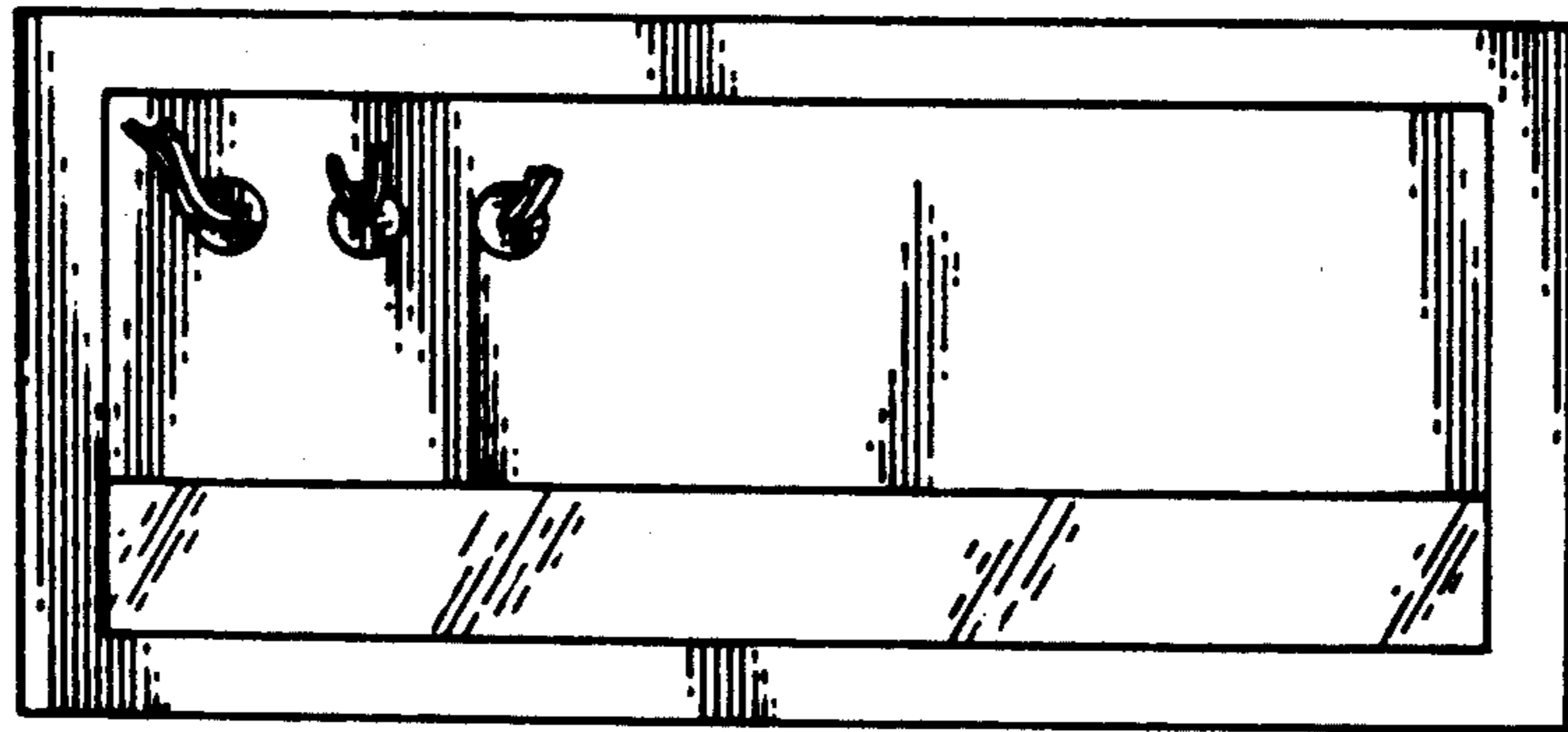


FIG. 5

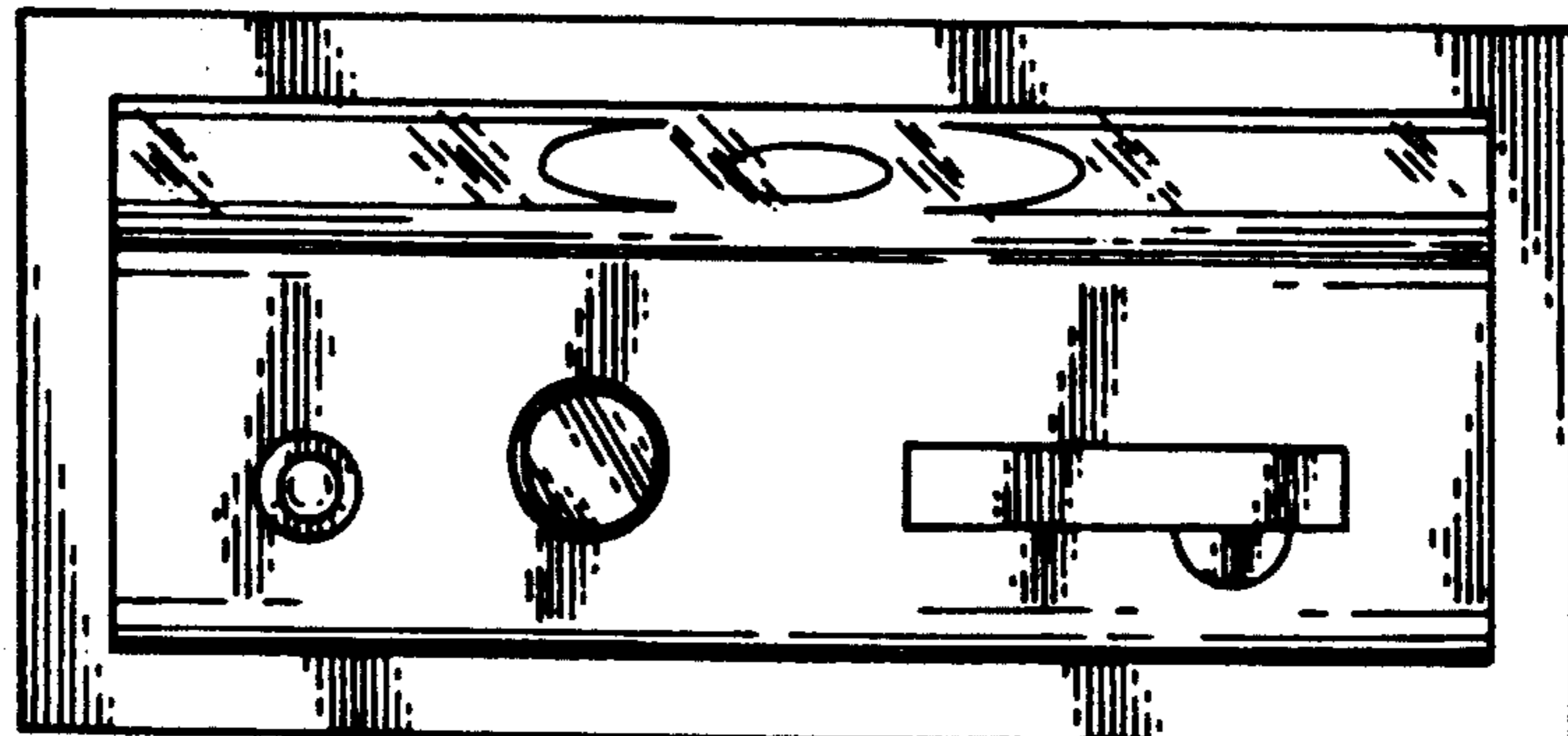


FIG. 6

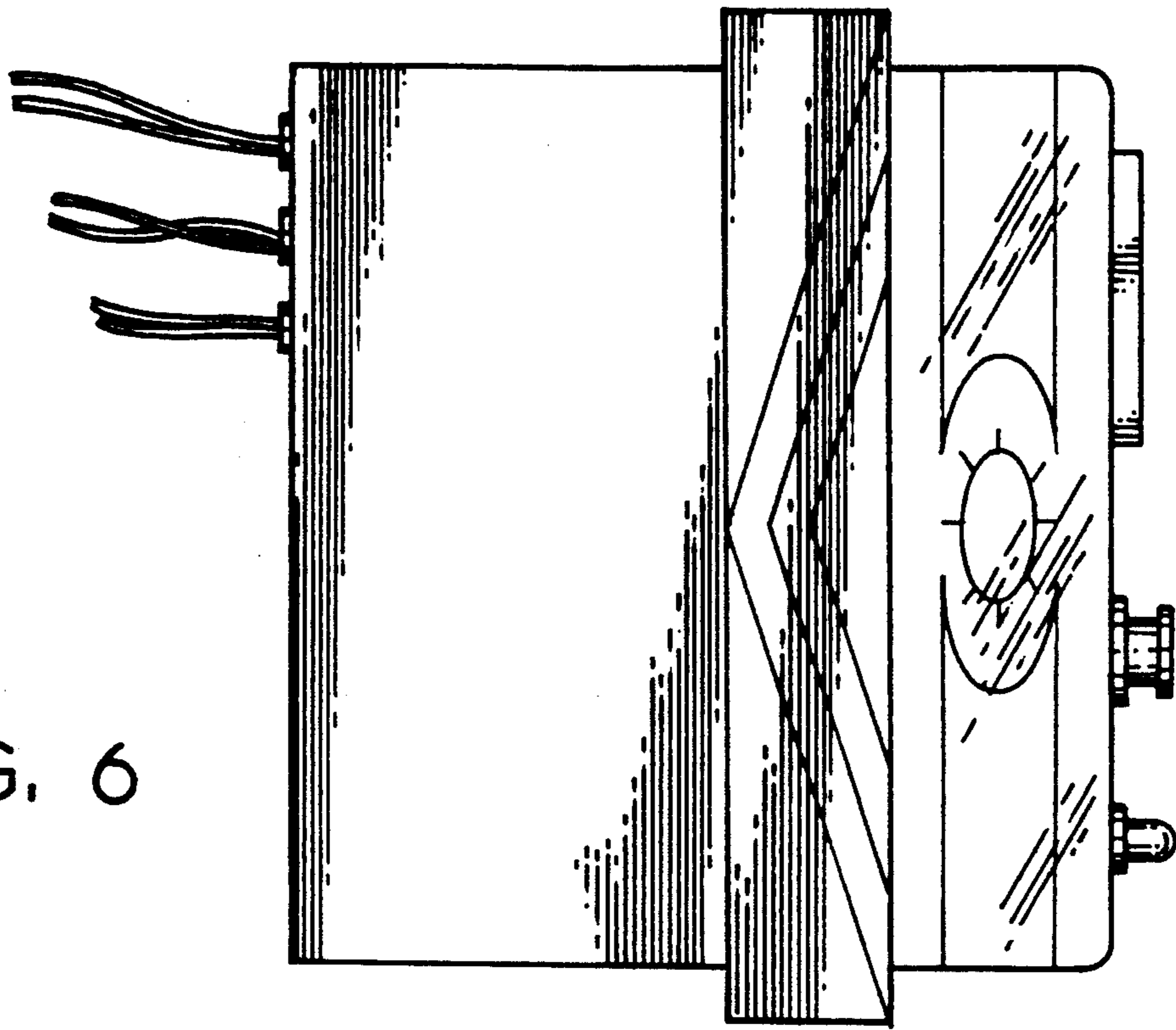


FIG. 7

