



US00D344241S

United States Patent [19]

[11] Patent Number: **Des. 344,241**

Kaunitz

[45] Date of Patent: **** Feb. 15, 1994**

[54] **STATUS INDICATING DEVICE**

Assistant Examiner—Antoine D. Davis

[76] Inventor: **Franklin Kaunitz**, 28 N. Summit St.,
Southington, Conn. 06489

[57] **CLAIM**

The ornamental design for a status indicating device, as shown and described.

[**] Term: **14 Years**

DESCRIPTION

[21] Appl. No.: **868,584**

[22] Filed: **Apr. 14, 1992**

[52] U.S. Cl. **D10/77**

[58] Field of Search 324/435, 425, 426, 429,
324/430, 432, 450, 156; 206/333, 459.1;
340/636; D10/77, 78

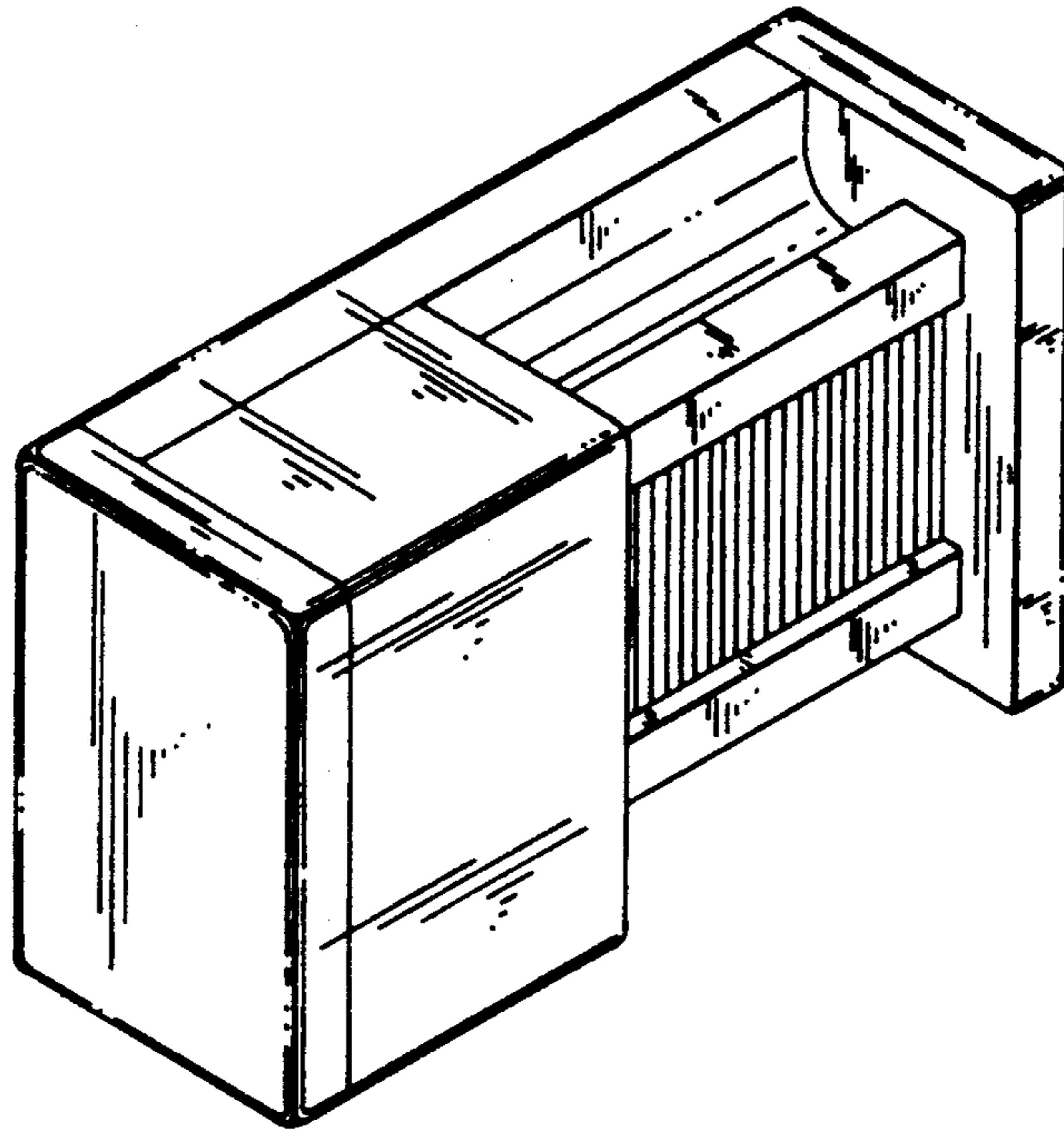
FIG. 1 is a perspective view of an alternate embodiment of a status indicating device showing my new design; FIG. 2 is a front elevational view thereof; FIG. 3 is a right side elevational view thereof, the left side being a mirror image; FIG. 4 is a rear elevational view thereof; FIG. 5 is a top plan view thereof, the bottom being a mirror image; FIG. 6 is a perspective view thereof; FIG. 7 is a perspective view of a further alterante embodiment of a status indicating device showing my new design; and, FIG. 8 is a perspective view thereof.

[56] **References Cited**

U.S. PATENT DOCUMENTS

D. 288,791 3/1987 **Bezikos** D10/77 X
D. 297,516 9/1988 **Wang** D10/77

Primary Examiner—Nelson C. Holtje



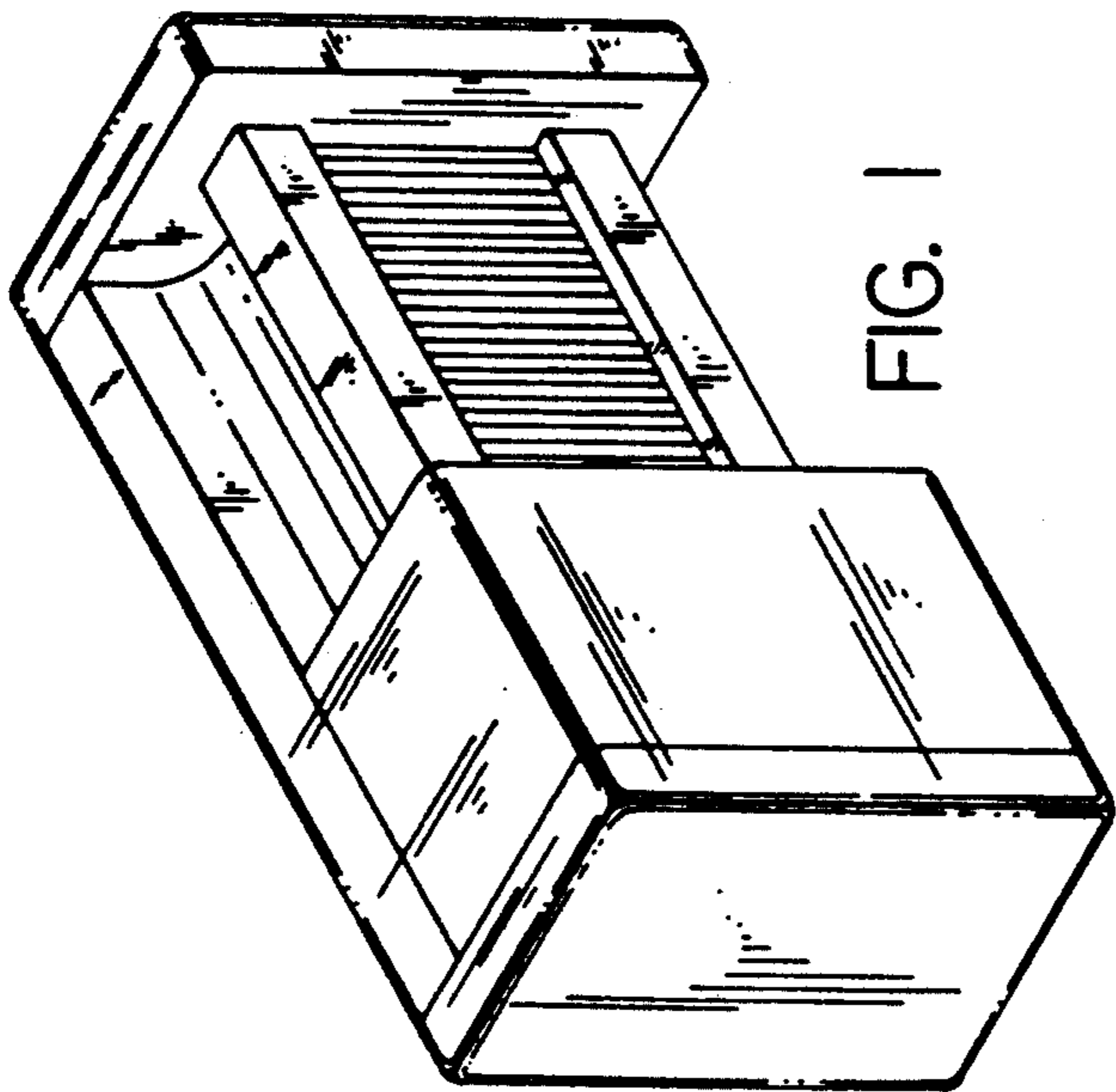


FIG. 1

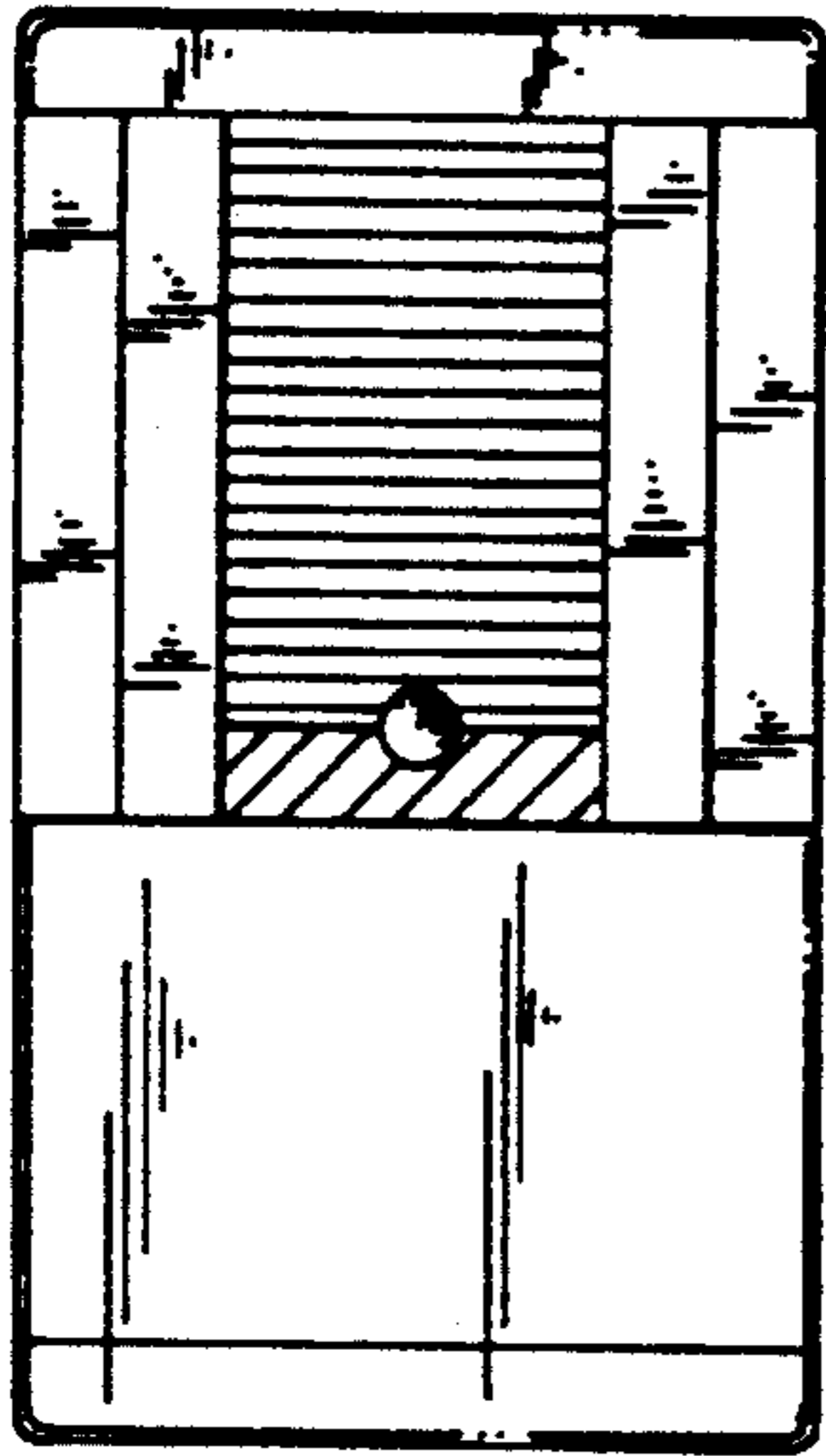


FIG. 2

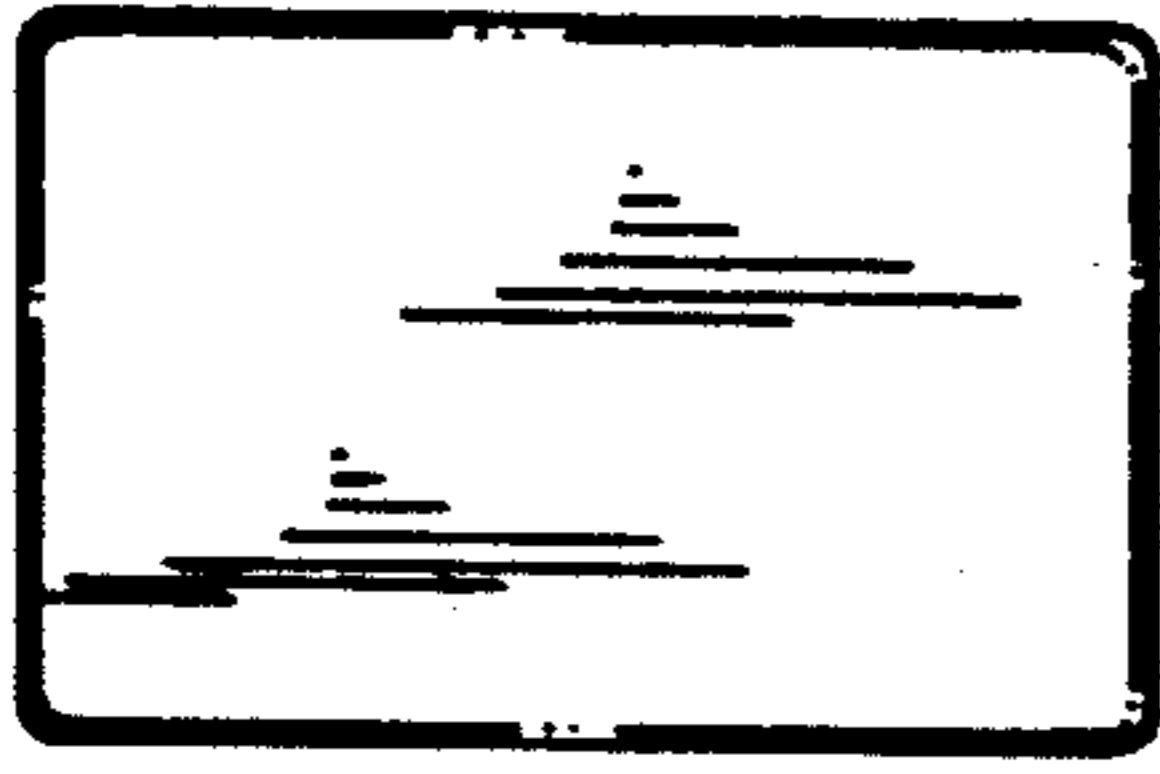


FIG. 3

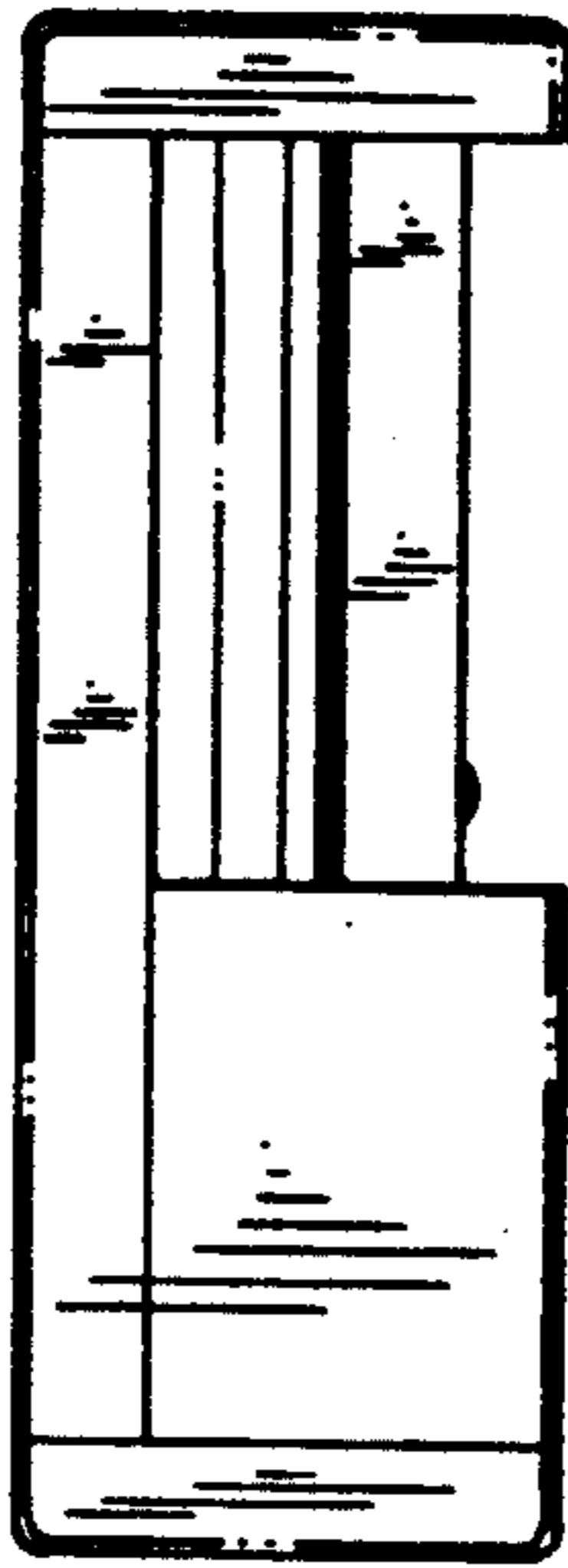


FIG. 5

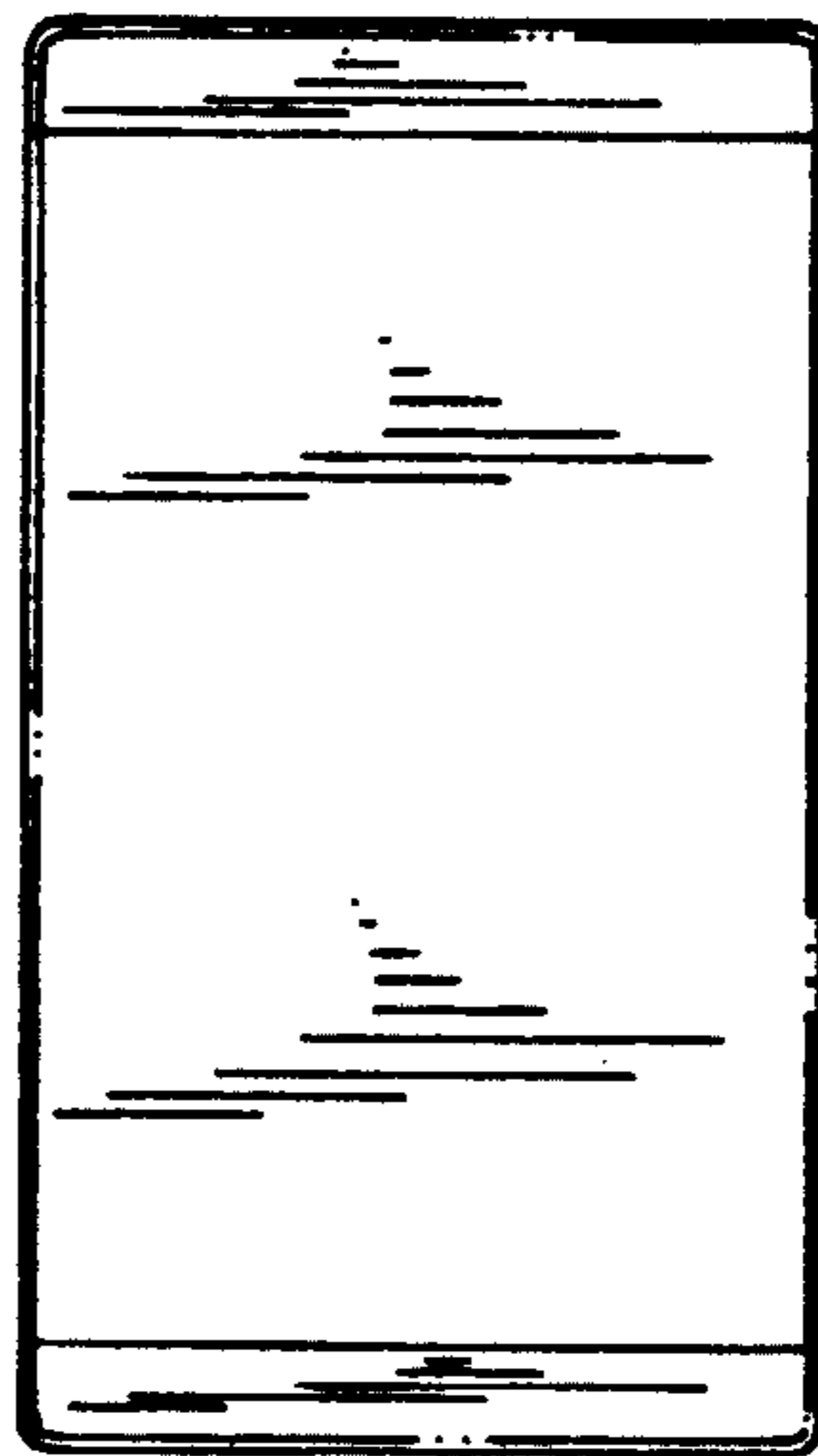


FIG. 4

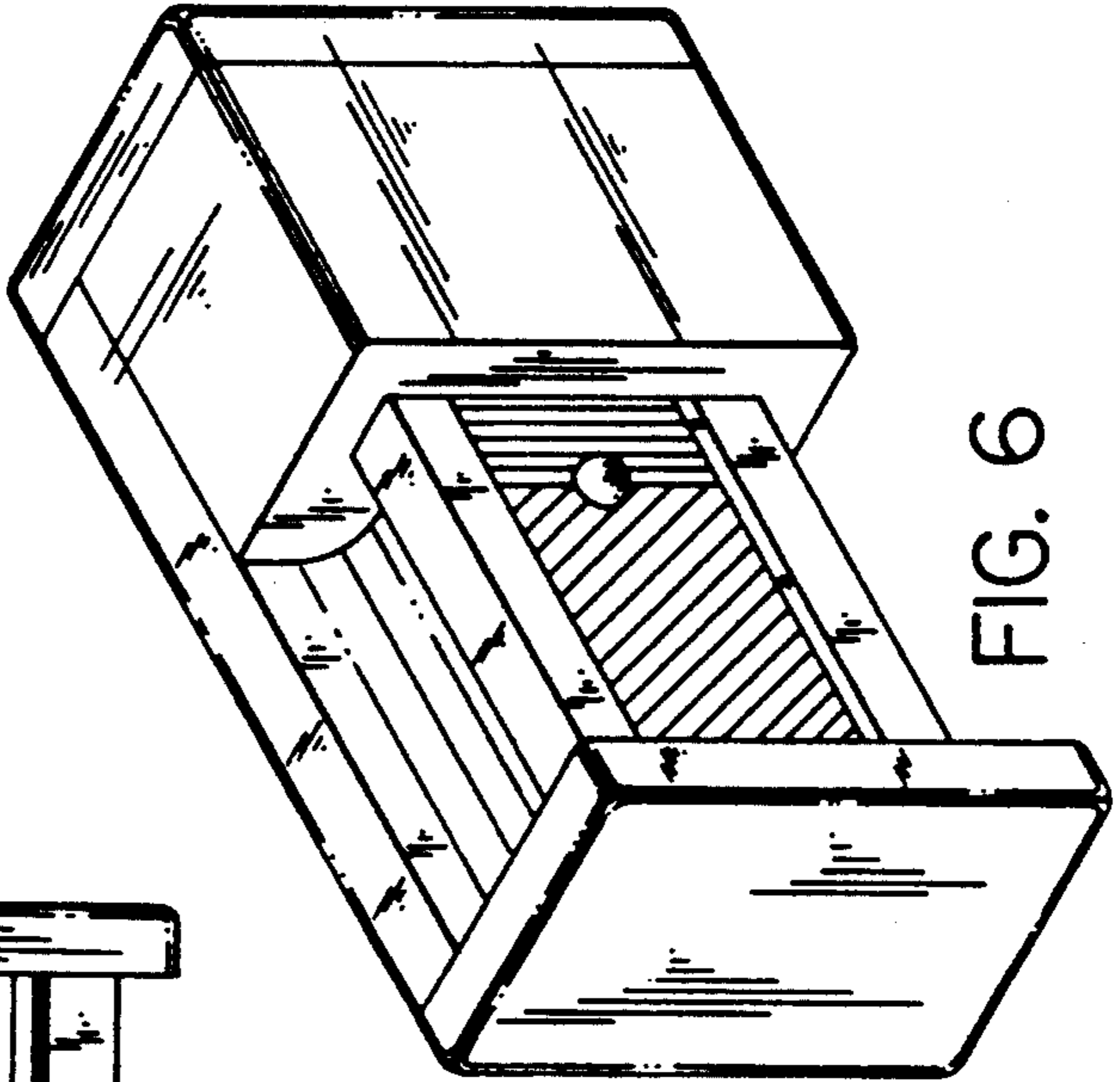


FIG. 6

