



US00D344240S

# United States Patent [19] Schnyder

[11] Patent Number: **Des. 344,240**

[45] Date of Patent: **\*\* Feb. 15, 1994**

[54] **SLIDE CALIPER**

[75] Inventor: **Urs Schnyder, Bevilard, Switzerland**

[73] Assignee: **Melius S.A., Crissier, Switzerland**

[\*\*] Term: **14 Years**

[21] Appl. No.: **903,666**

[22] Filed: **Jun. 24, 1992**

[30] **Foreign Application Priority Data**

Jan. 8, 1992 [XH] Hague ..... DM/021640

[52] U.S. Cl. .... **D10/73**

[58] Field of Search ..... 33/783-832,  
33/DIG. 12; D10/73

[56] **References Cited**

**U.S. PATENT DOCUMENTS**

- D. 313,562 1/1991 Meyer ..... D10/73
- D. 334,719 4/1993 Yeo ..... D10/73
- 4,375,722 3/1983 Nishikata et al. .... D10/73 X
- 5,102,471 4/1992 Sasaki ..... D10/73 X

*Primary Examiner*—Alan P. Douglas  
*Assistant Examiner*—Antonine D. Davis  
*Attorney, Agent, or Firm*—Young & Thompson

[57] **CLAIM**

The ornamental design for a slide caliper, as shown and described.

**DESCRIPTION**

FIG. 1 is a perspective view of a slide caliper showing my new design;

FIG. 2 is a front elevational view thereof;

FIG. 3 is a rear elevational view thereof;

FIG. 4 is a plan view thereof from the top of FIG. 3;

FIG. 5 is a plan view thereof from the bottom of FIG. 3;

FIG. 6 is an end elevational view thereof from the right of FIG. 3;

FIG. 7 is an end elevational view thereof from the left of FIG. 3; and,

FIG. 8 is a view similar to FIG. 1 but showing the slide caliper with its jaws extended.

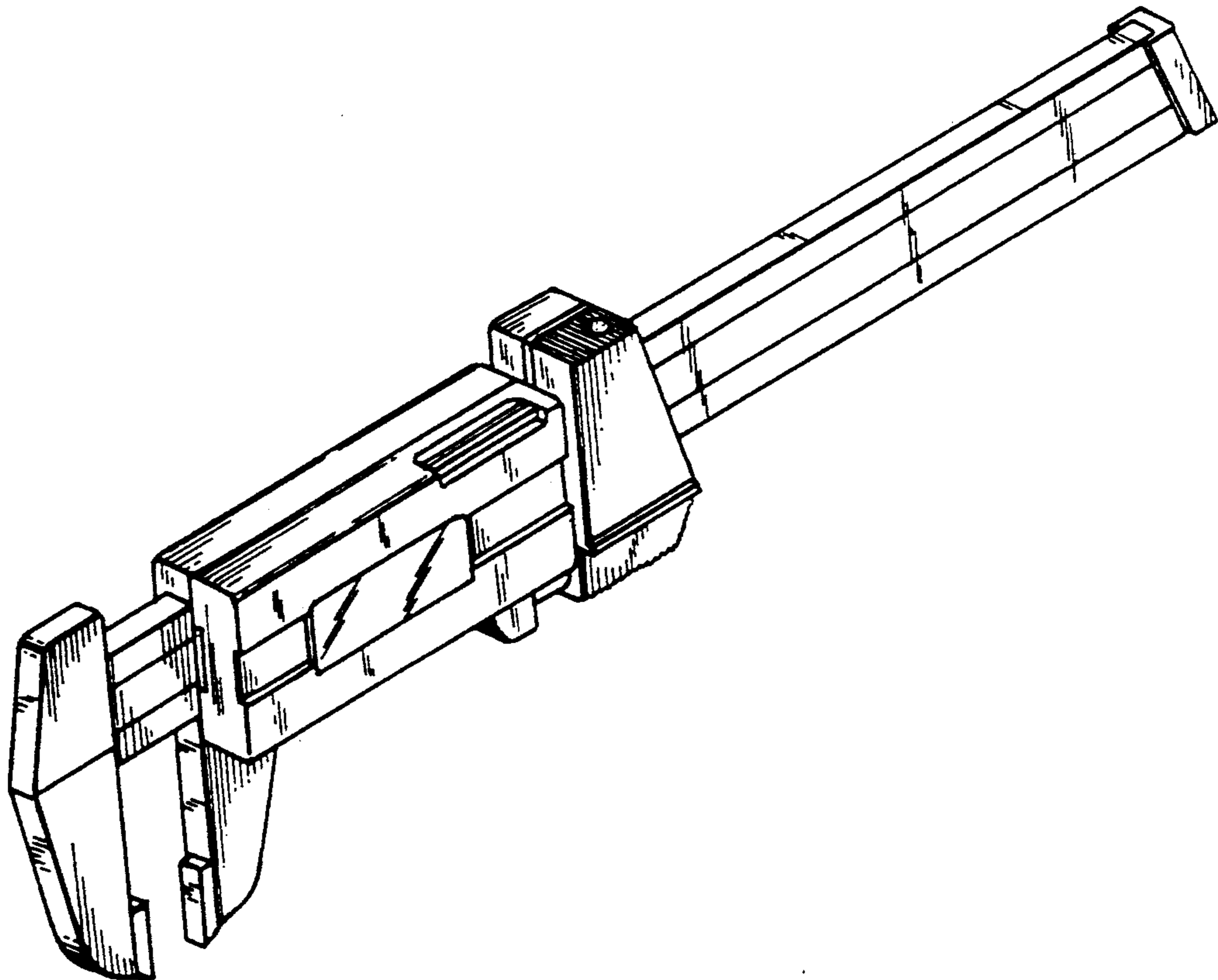


FIG. 1

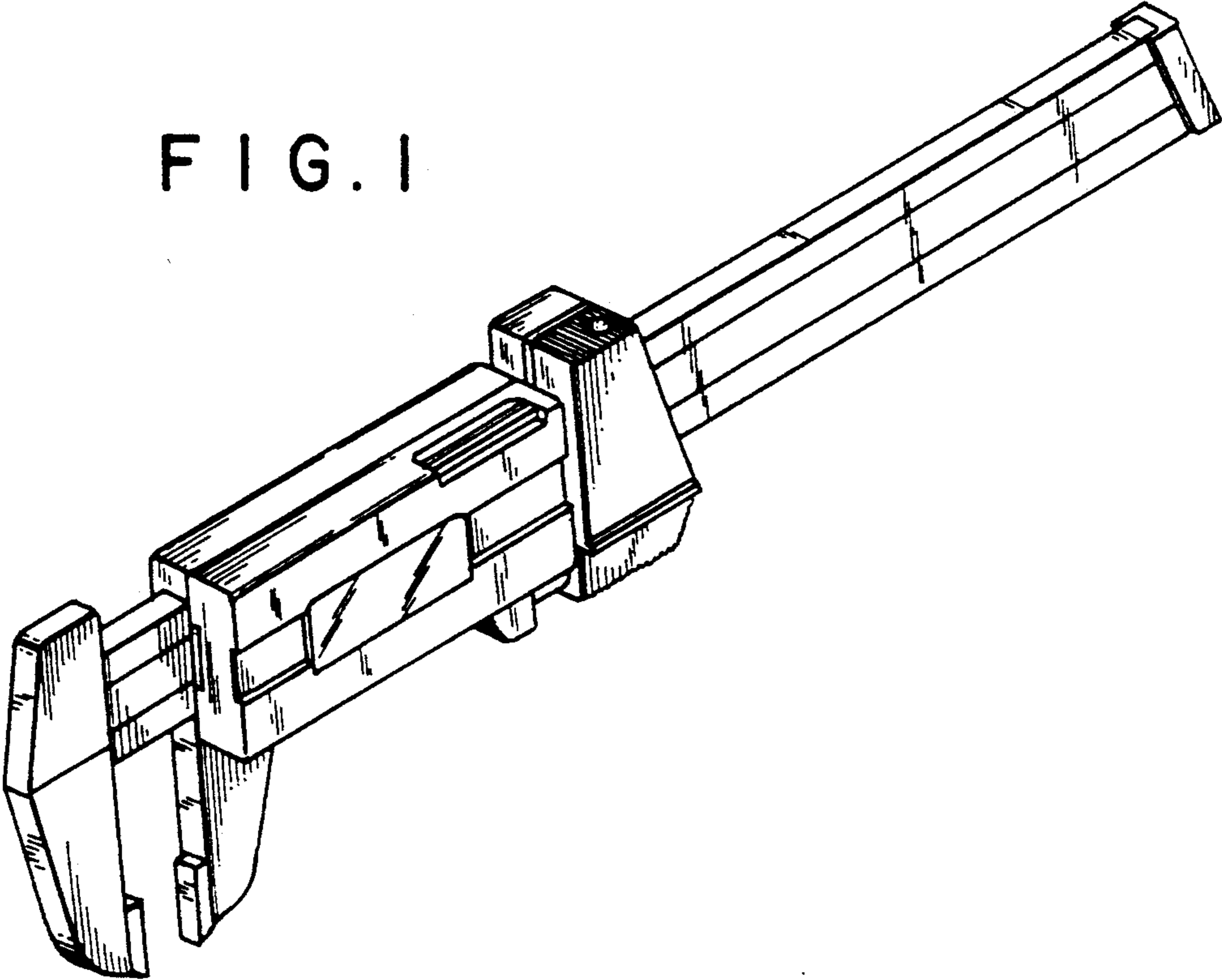


FIG. 8

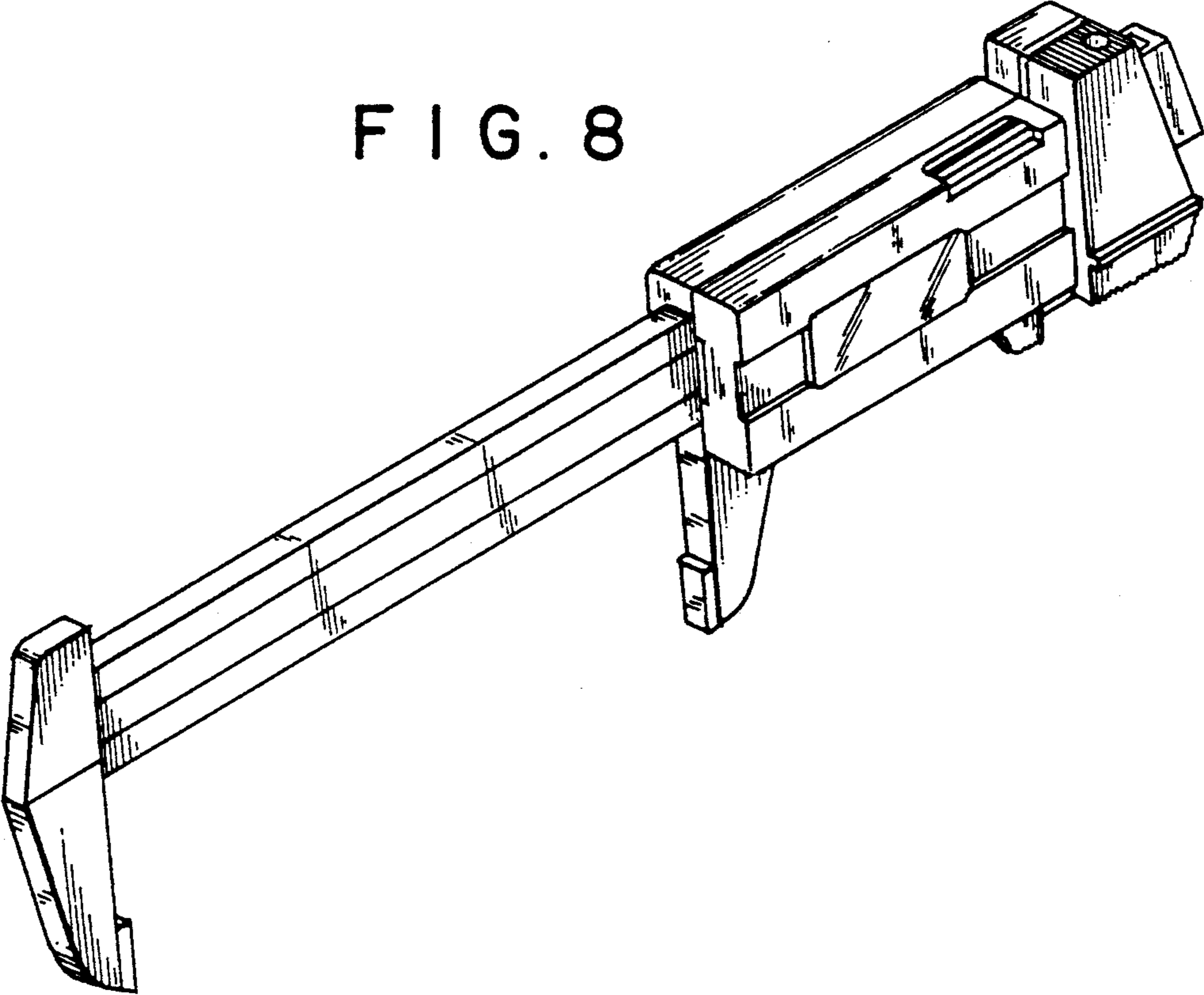


FIG. 2

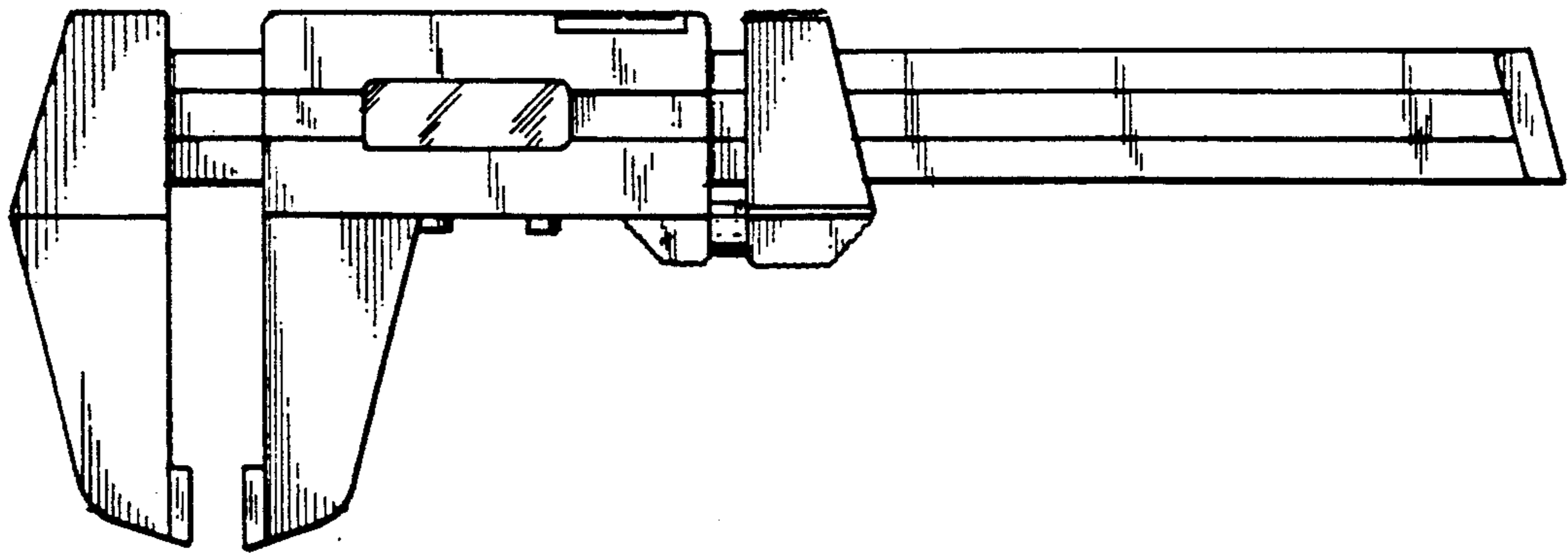


FIG. 3

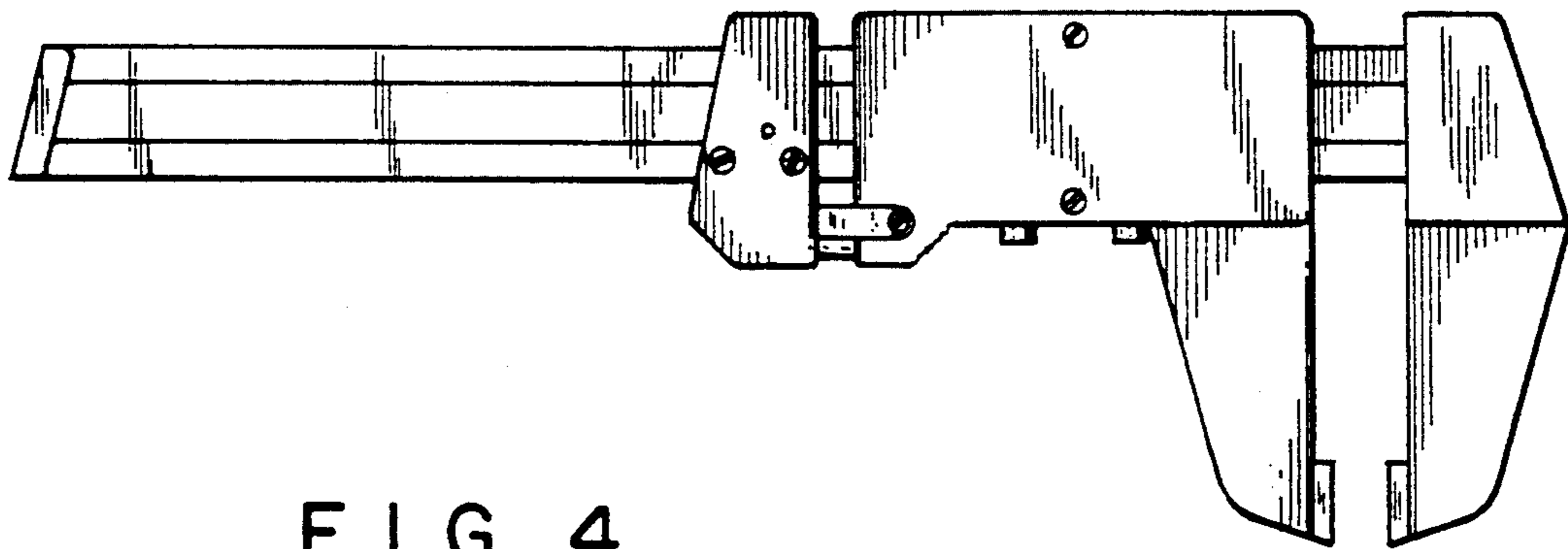


FIG. 4



FIG. 5

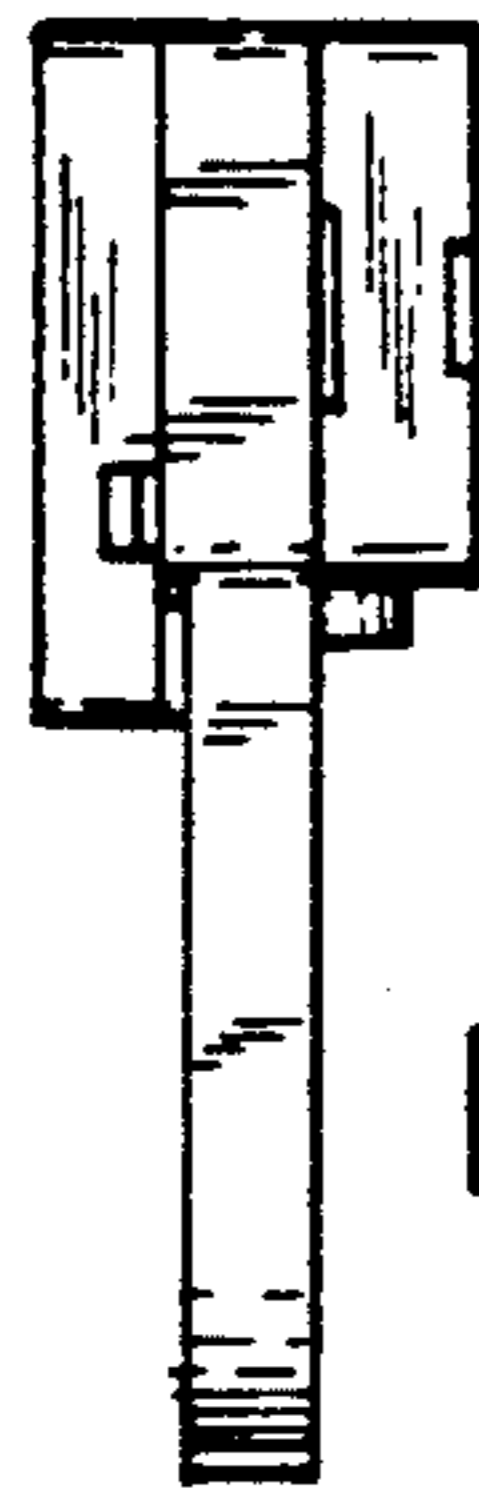
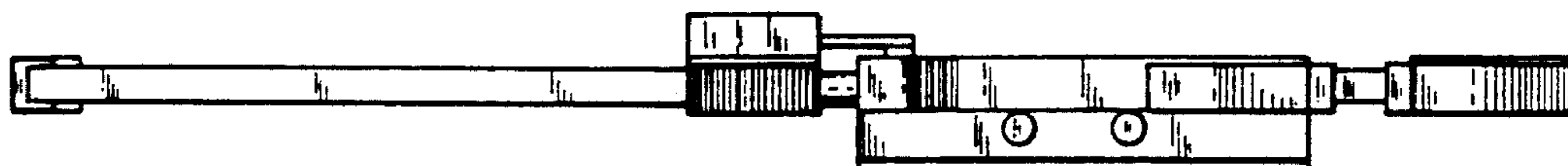


FIG. 6

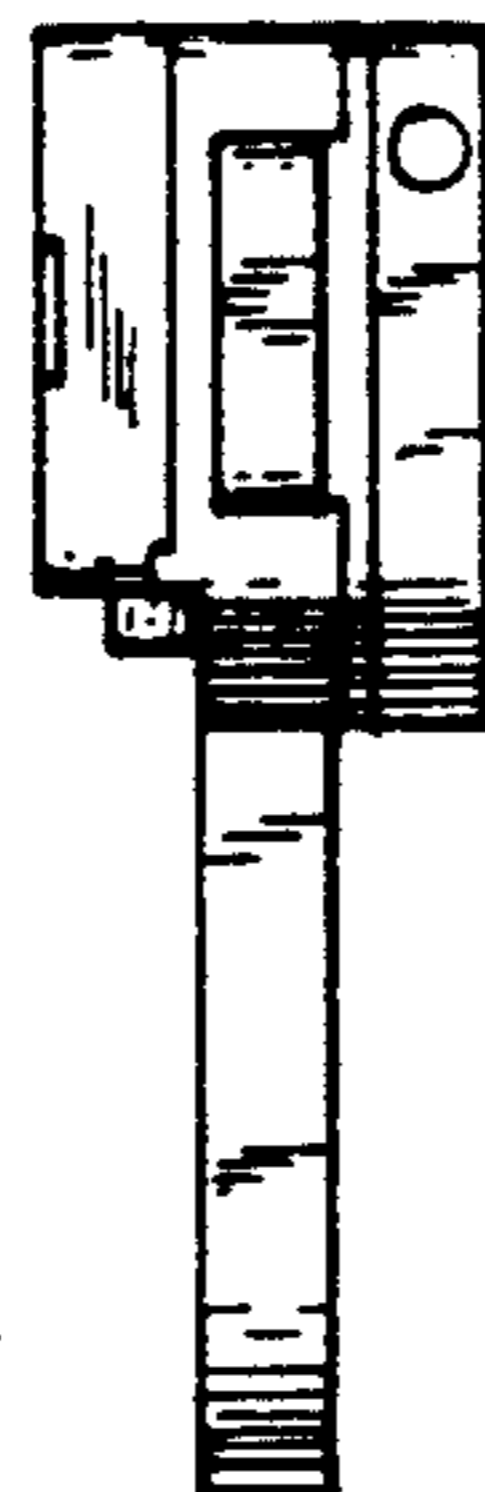


FIG. 7