



US00D344239S

United States Patent [19]

[11] Patent Number: **Des. 344,239**

Suggs

[45] Date of Patent: **** Feb. 15, 1994**

[54] **SONAR TRANSDUCER MOUNTING AND POINTING APPARATUS**

4,980,872 12/1990 Oler et al. 367/173

[76] Inventor: **Kenneth Suggs**, 714 S. 3rd St.,
Rogers, Ark. 72756

Primary Examiner—Nelson C. Holtje
Assistant Examiner—Antoine D. Davis
Attorney, Agent, or Firm—Robert R. Keegan

[**] Term: **14 Years**

[57] **CLAIM**

[21] Appl. No.: **948,721**

The ornamental design for a sonar transducer mounting and pointing apparatus, as shown.

[22] Filed: **Sep. 14, 1992**

[52] U.S. Cl. **D10/65**

DESCRIPTION

[58] Field of Search 73/633; 248/291, 295.1,
248/288.5, 642; 367/104, 173; D10/65

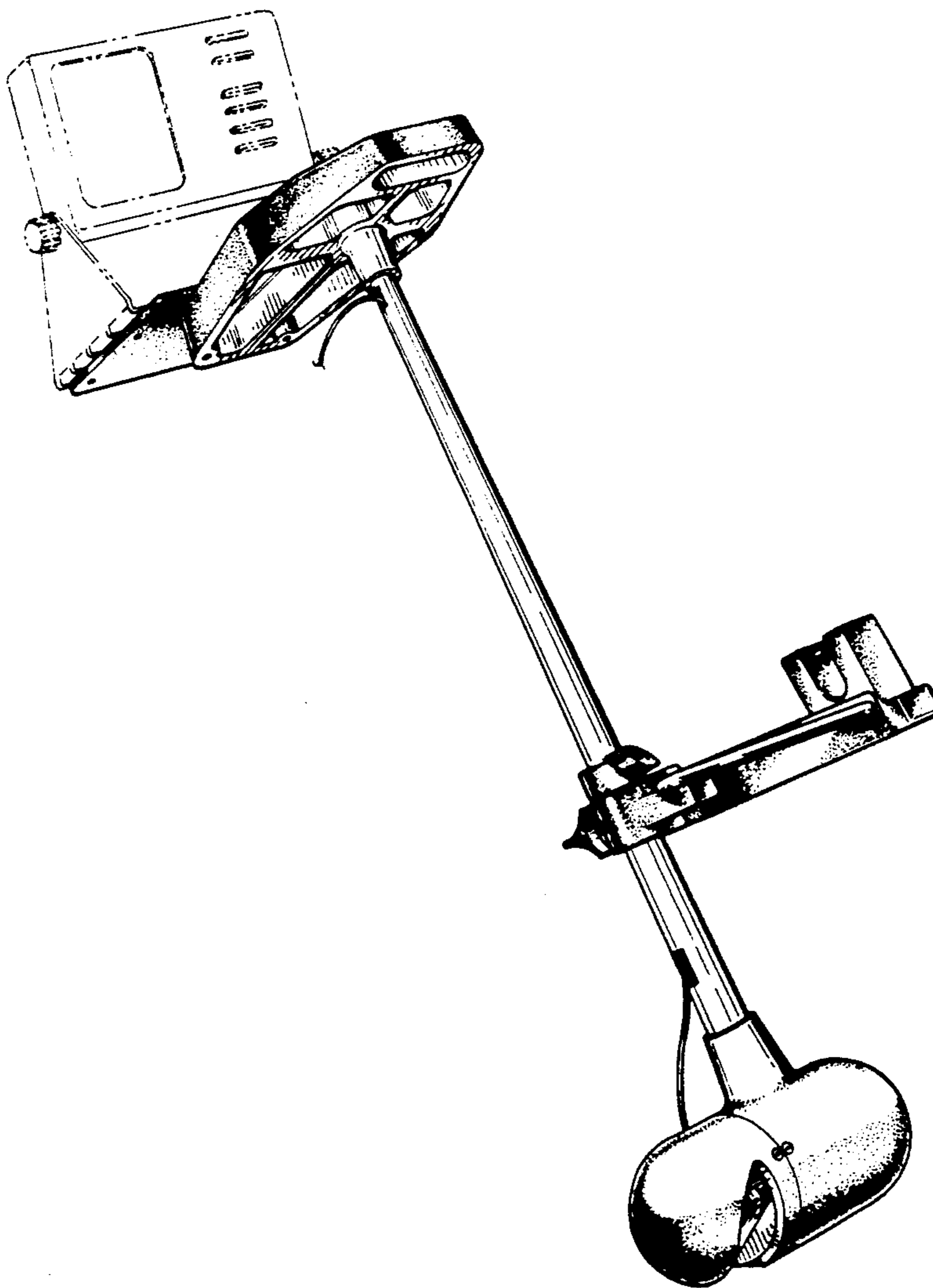
FIG. 1 is a perspective view of a sonar transducer mounting and pointing apparatus incorporating my design; the positioning of a sonar display on the apparatus is shown in phantom lines, which display does not form a part of my design;

[56] **References Cited**

U.S. PATENT DOCUMENTS

D. 219,998	2/1971	Behnk et al.	D10/65
2,837,727	6/1958	Mayes	340/6
4,282,590	8/1981	Wingate	367/104
4,285,485	8/1981	Burke	248/291
4,928,915	5/1990	Havins	248/288.5
4,979,153	12/1980	Terry	367/173 X

FIG. 2 is a left side elevational view thereof;
FIG. 3 is a right side elevational view thereof;
FIG. 4 is a front elevational view thereof;
FIG. 5 is a rear elevational view thereof;
FIG. 6 is an enlarged top plan view thereof; and,
FIG. 7 is an enlarged bottom plan view thereof.



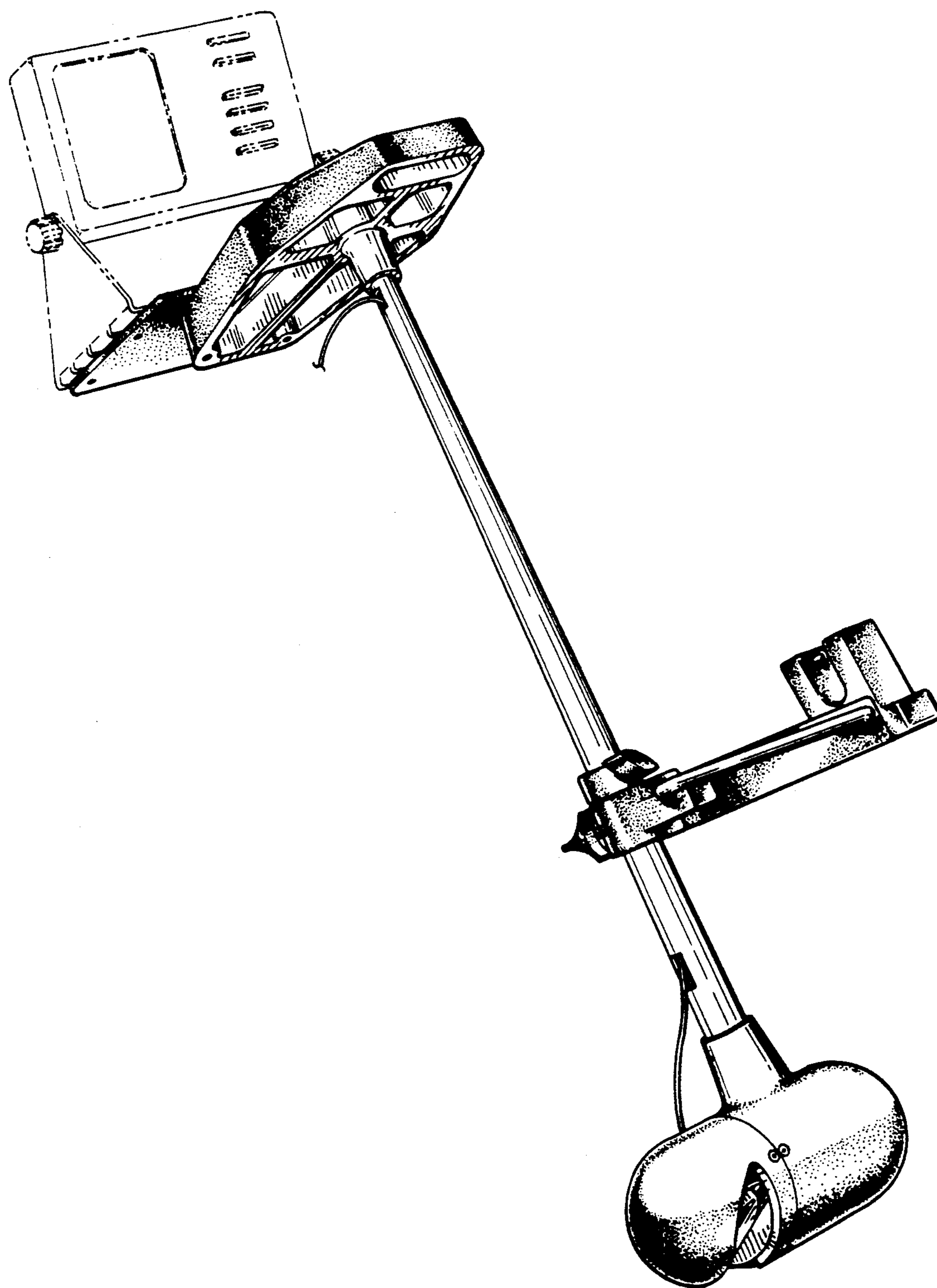


FIG. 1

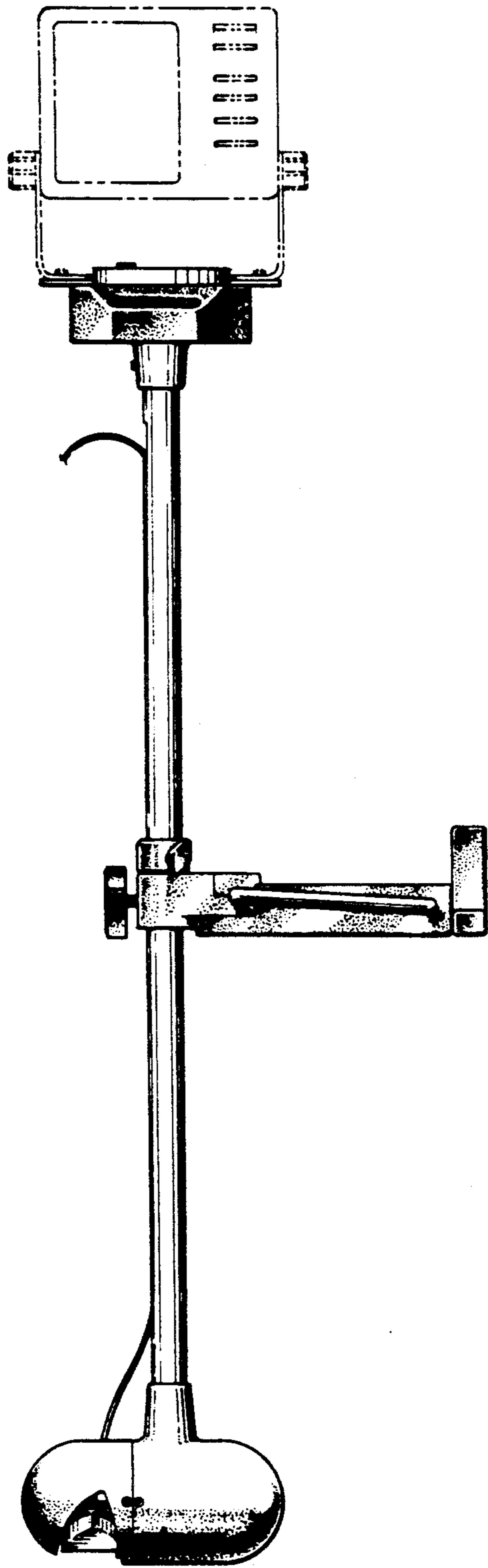


FIG. 2

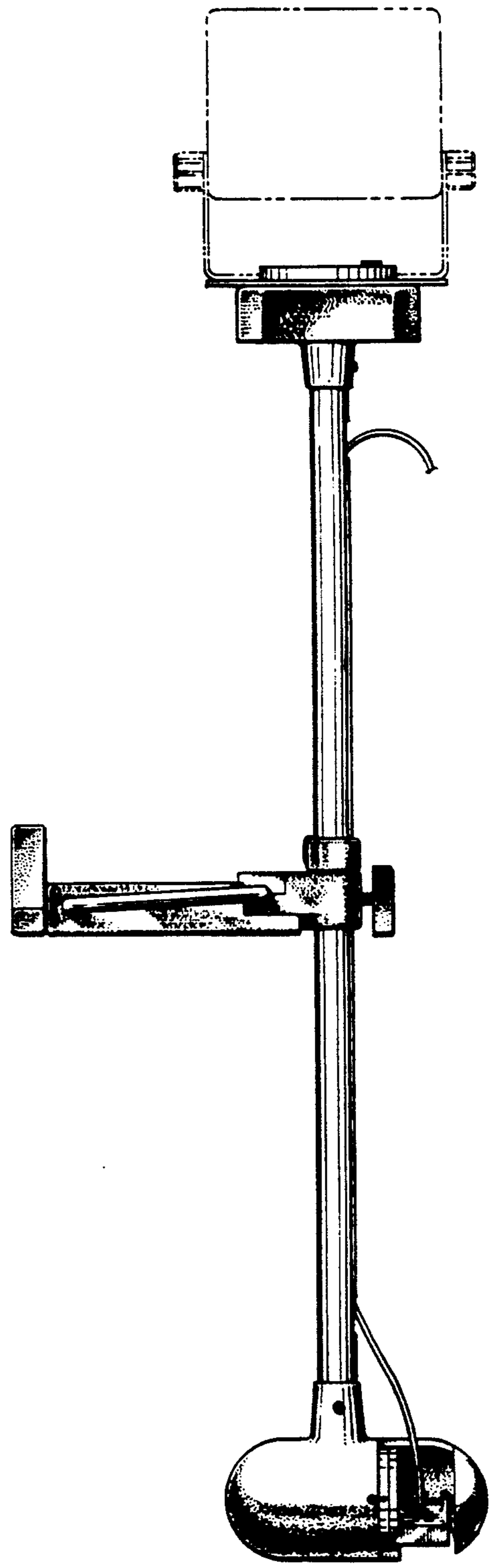


FIG. 3

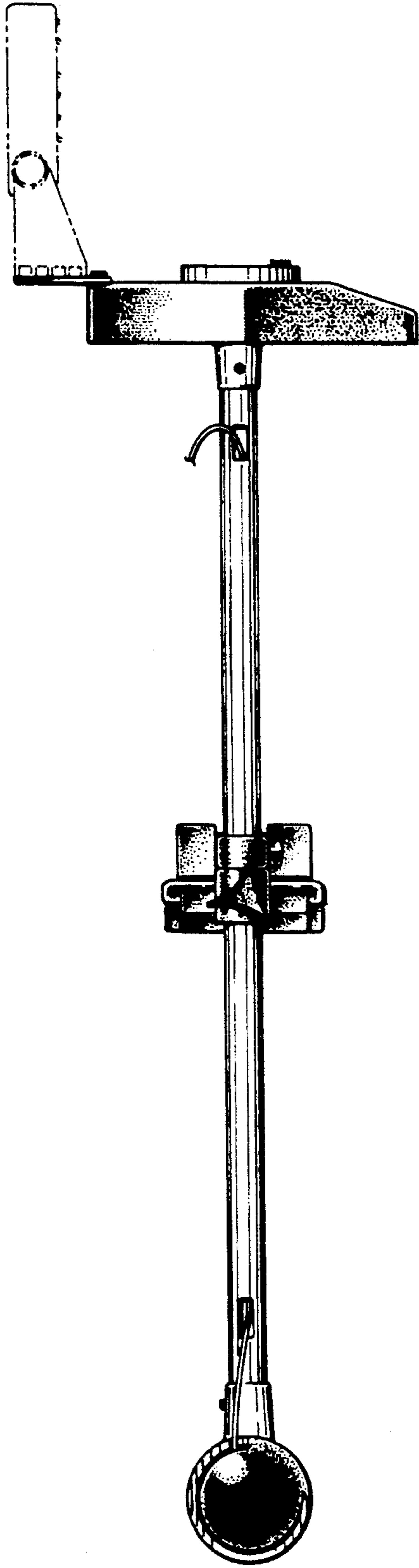


FIG. 4

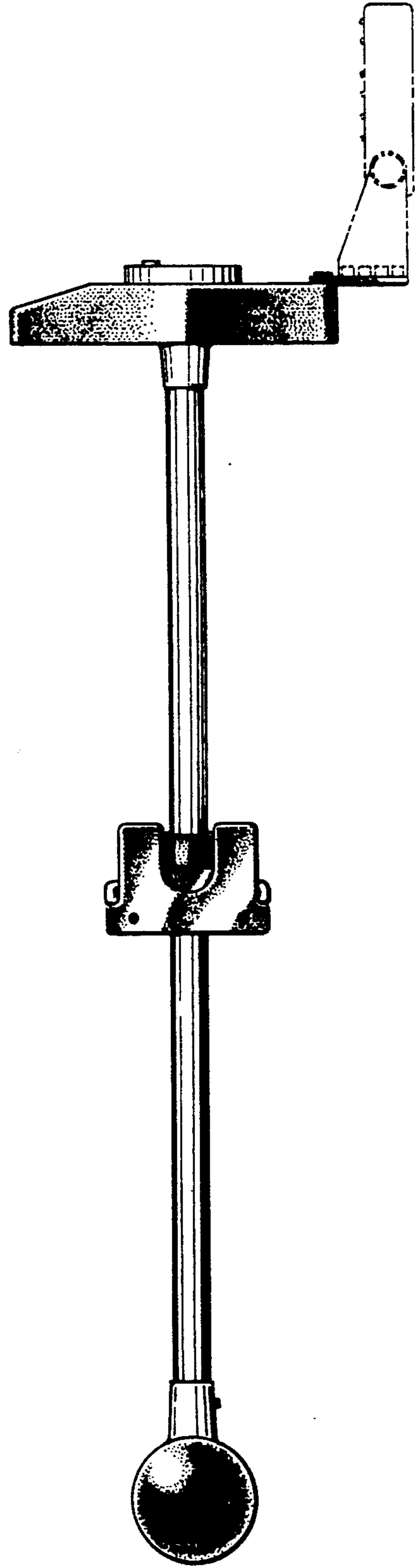


FIG. 5

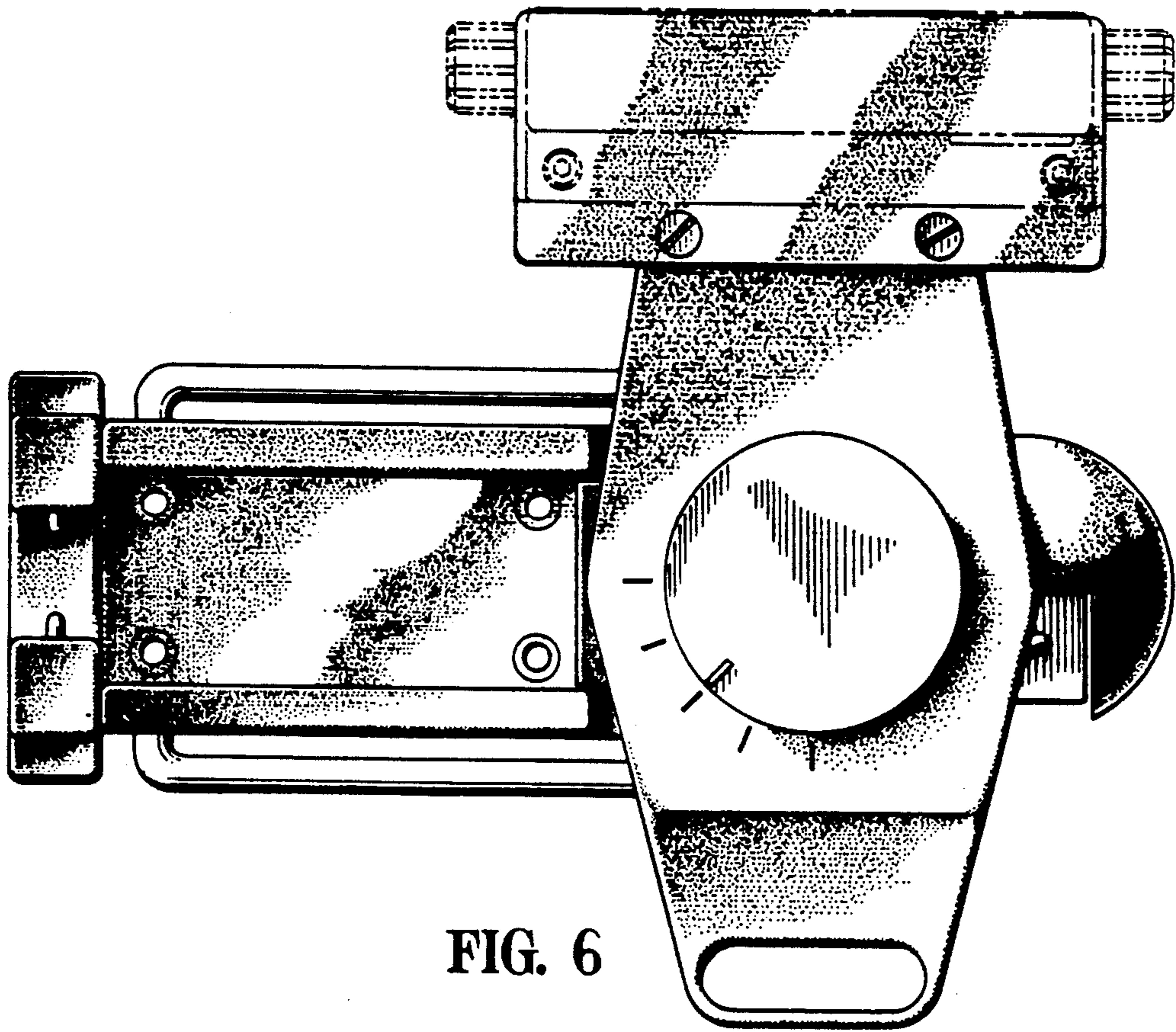


FIG. 6

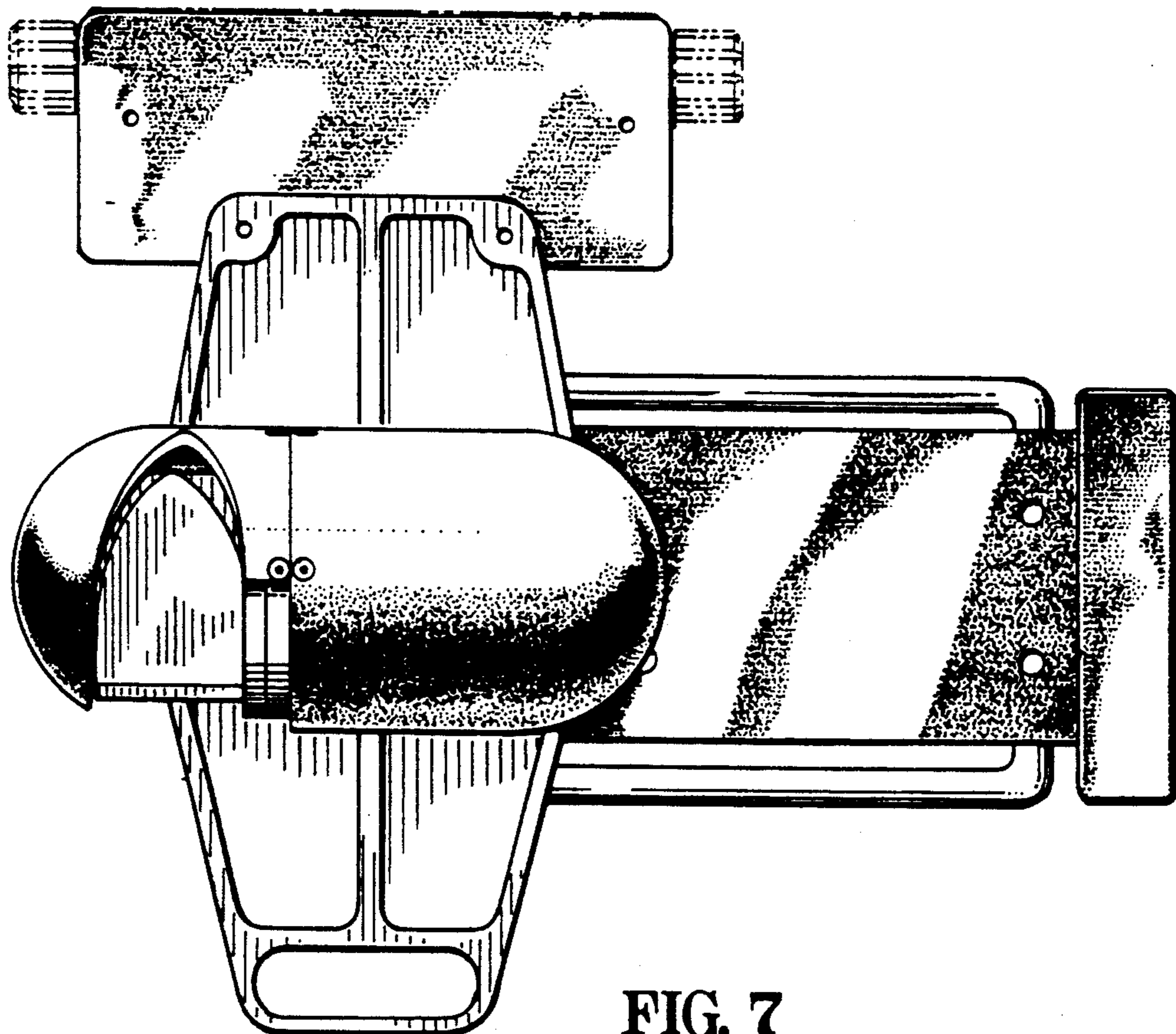


FIG. 7