



US00D344233S

United States Patent [19]

[11] Patent Number: Des. 344,233

Peters

[45] Date of Patent: ** Feb. 15, 1994

[54] BASEBALL CAP CARRYING CASE

[76] Inventor: Terry M. Peters, 1515 Alta, Wichita, Kans. 67216

[**] Term: 14 Years

[21] Appl. No.: 911,309

[22] Filed: Jul. 10, 1992

[52] U.S. Cl. D9/415; D9/320

[58] Field of Search D9/415, 418, 414, 337, D9/320; D3/30.1; 206/461-471, 806, 8, 216, 278, 457, 458; 229/23 BT, 8, 922; 220/200

[56] References Cited

U.S. PATENT DOCUMENTS

D. 288,533	3/1987	Jialanella et al.	D9/415
D. 314,492	2/1991	Weller et al.	D9/320 X
D. 318,223	7/1991	Allen	D9/320
3,324,994	6/1967	Rauser, Sr.	206/8
5,022,515	6/1991	Agostine	206/8
5,074,410	12/1991	Fries et al.	206/8
5,186,345	2/1993	Ching An	206/468 X

OTHER PUBLICATIONS

Modern Packaging Encyclopedia, 1957, p. 385 bottom right of the page.

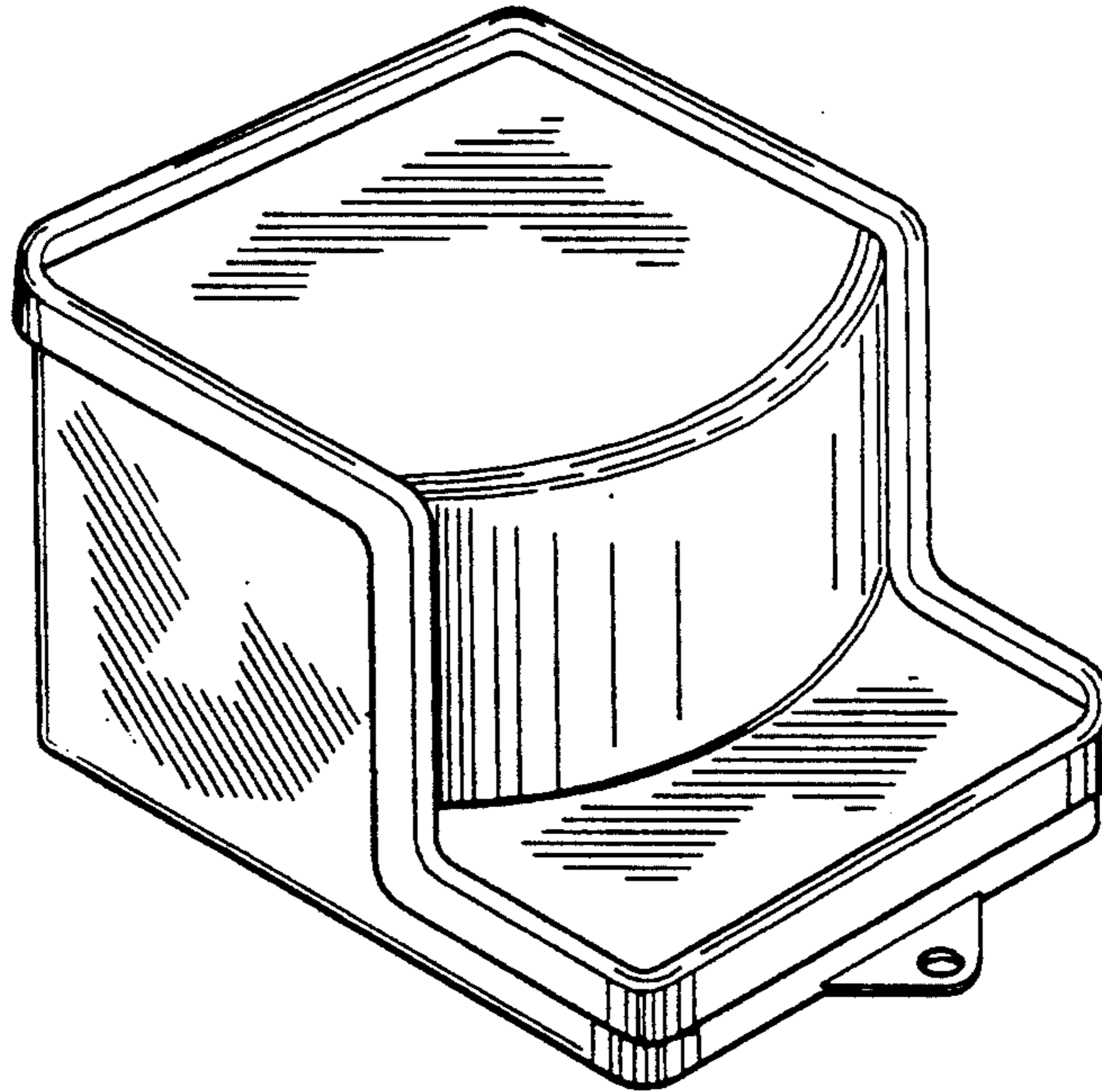
Primary Examiner—Prabhakar G. Deshmukh
Attorney, Agent, or Firm—Phillip A. Rein

[57] CLAIM

The ornamental design for a baseball cap carrying case, as shown and described.

DESCRIPTION

FIG. 1 is a perspective view of a baseball cap carrying case showing my new design;
FIG. 2 is a left side elevational view thereof; the right side elevational view being a mirror image thereof;
FIG. 3 is a front elevational view thereof;
FIG. 4 is a top plan view thereof;
FIG. 5 is a rear elevational view thereof;
FIG. 6 is a bottom plan view thereof;
FIG. 7 is an exploded perspective view thereof; and,
FIG. 8 is an enlarged scale fragmentary sectional view taken along line 8—8 of FIG. 7, showing a connection of lid and container and shown in a closed position for clarity of illustration.



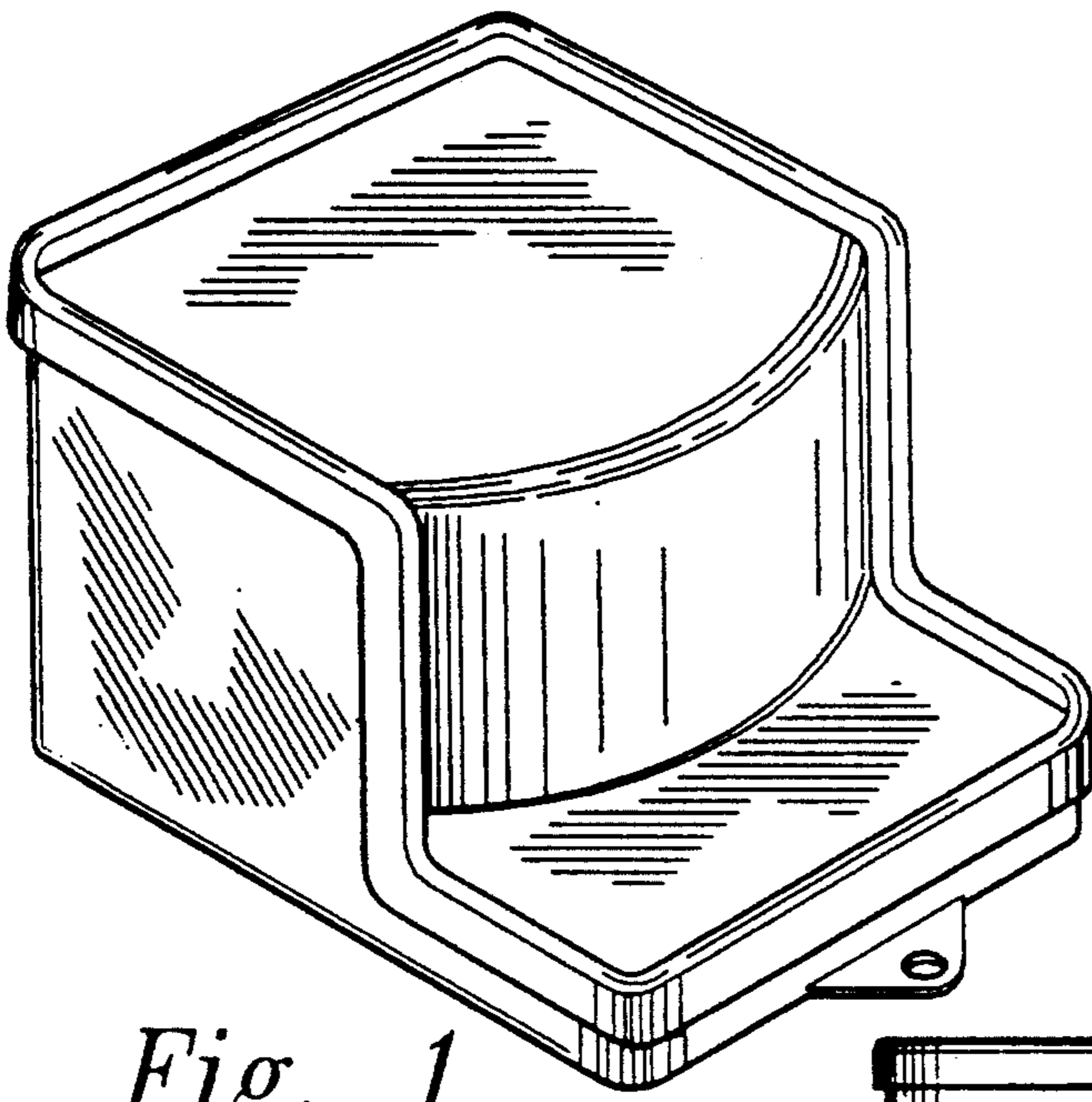


Fig. 1

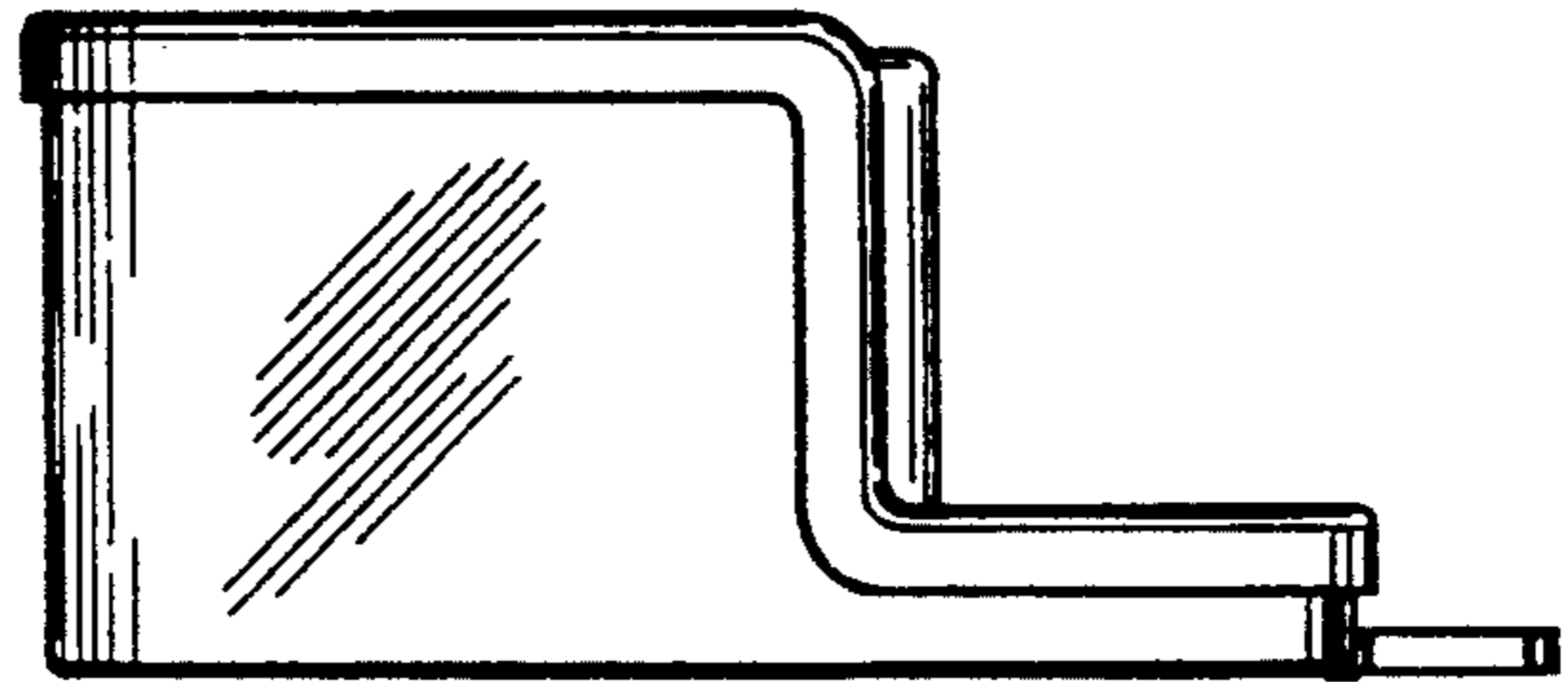


Fig. 2

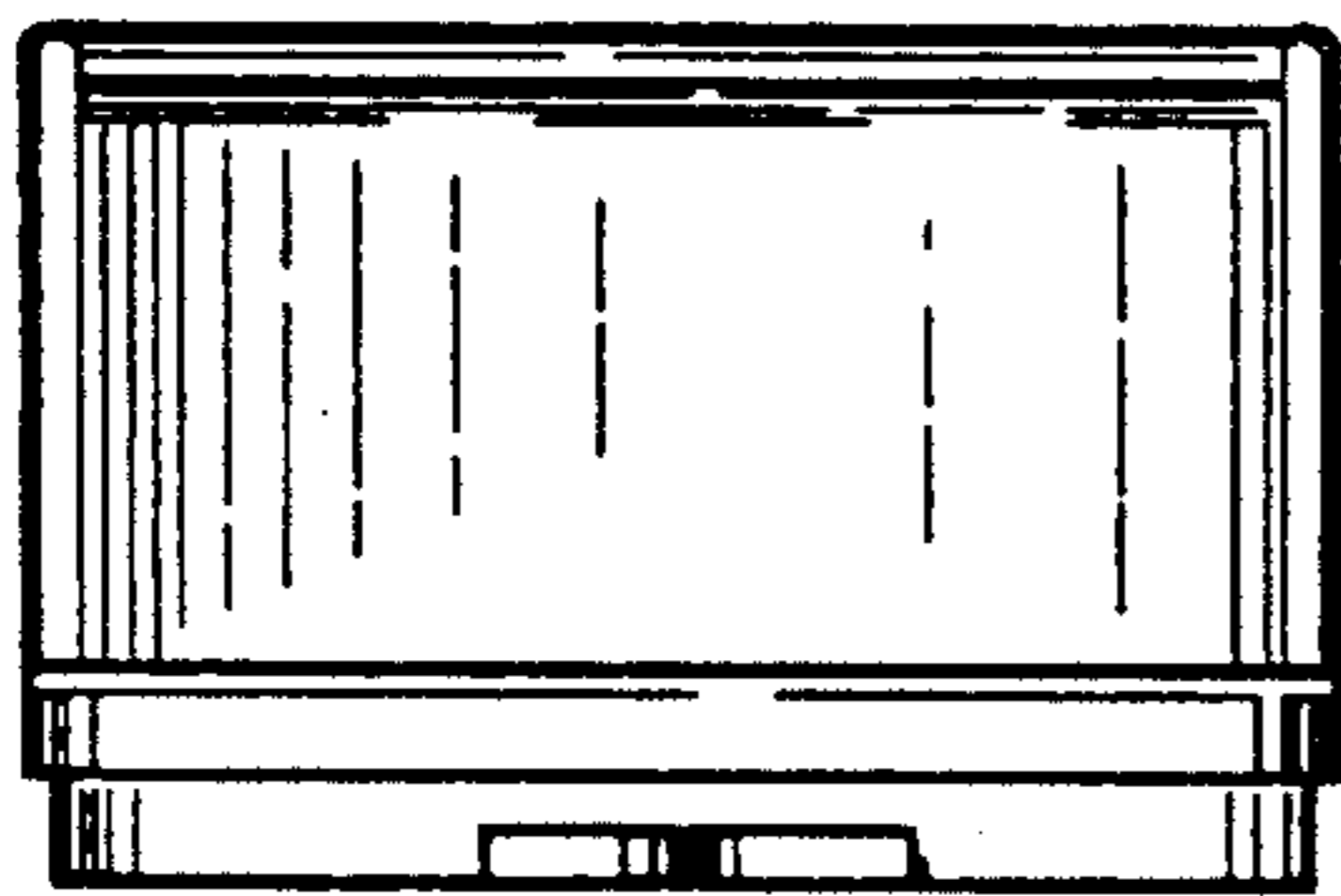


Fig. 3

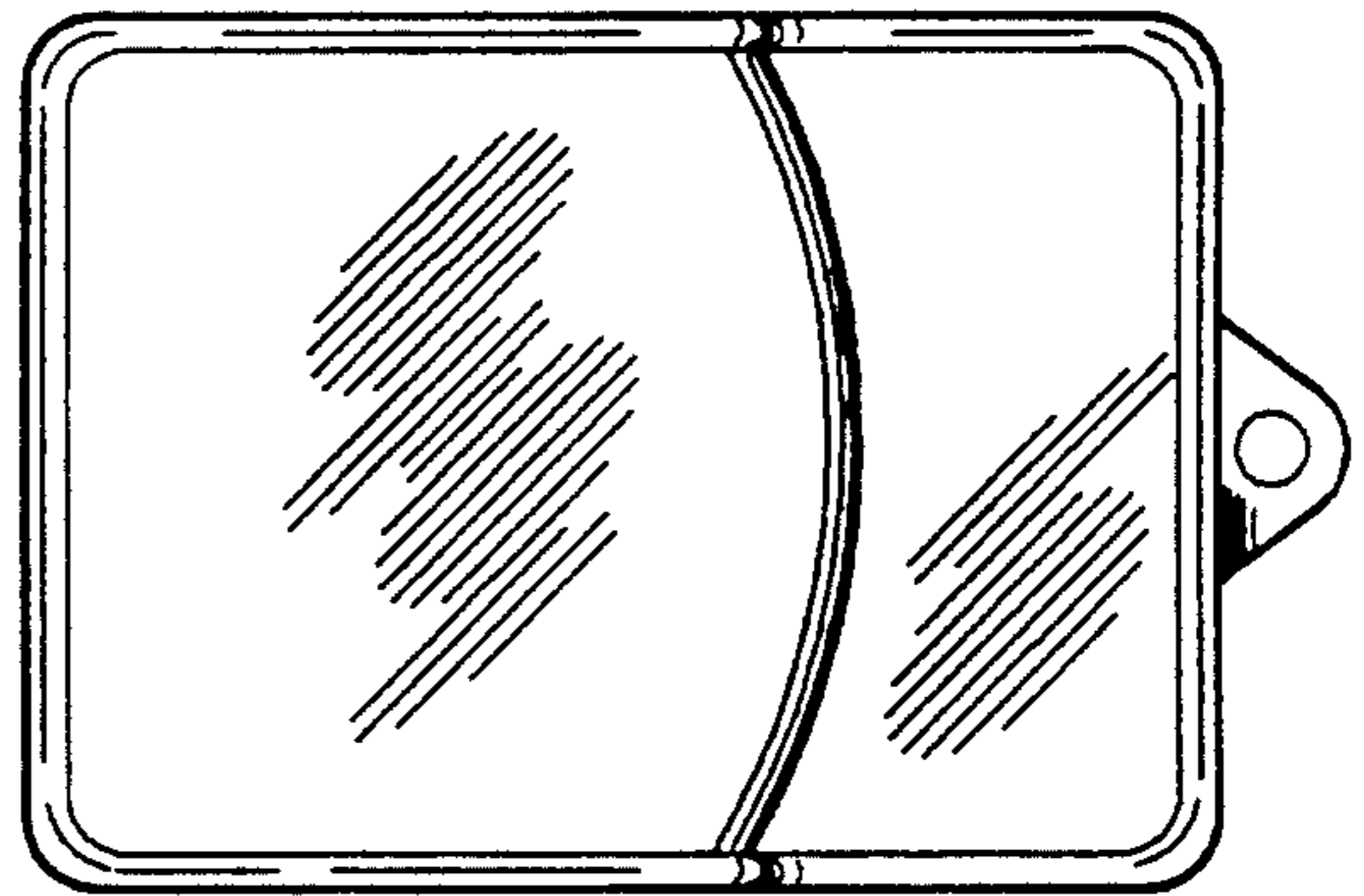


Fig. 4

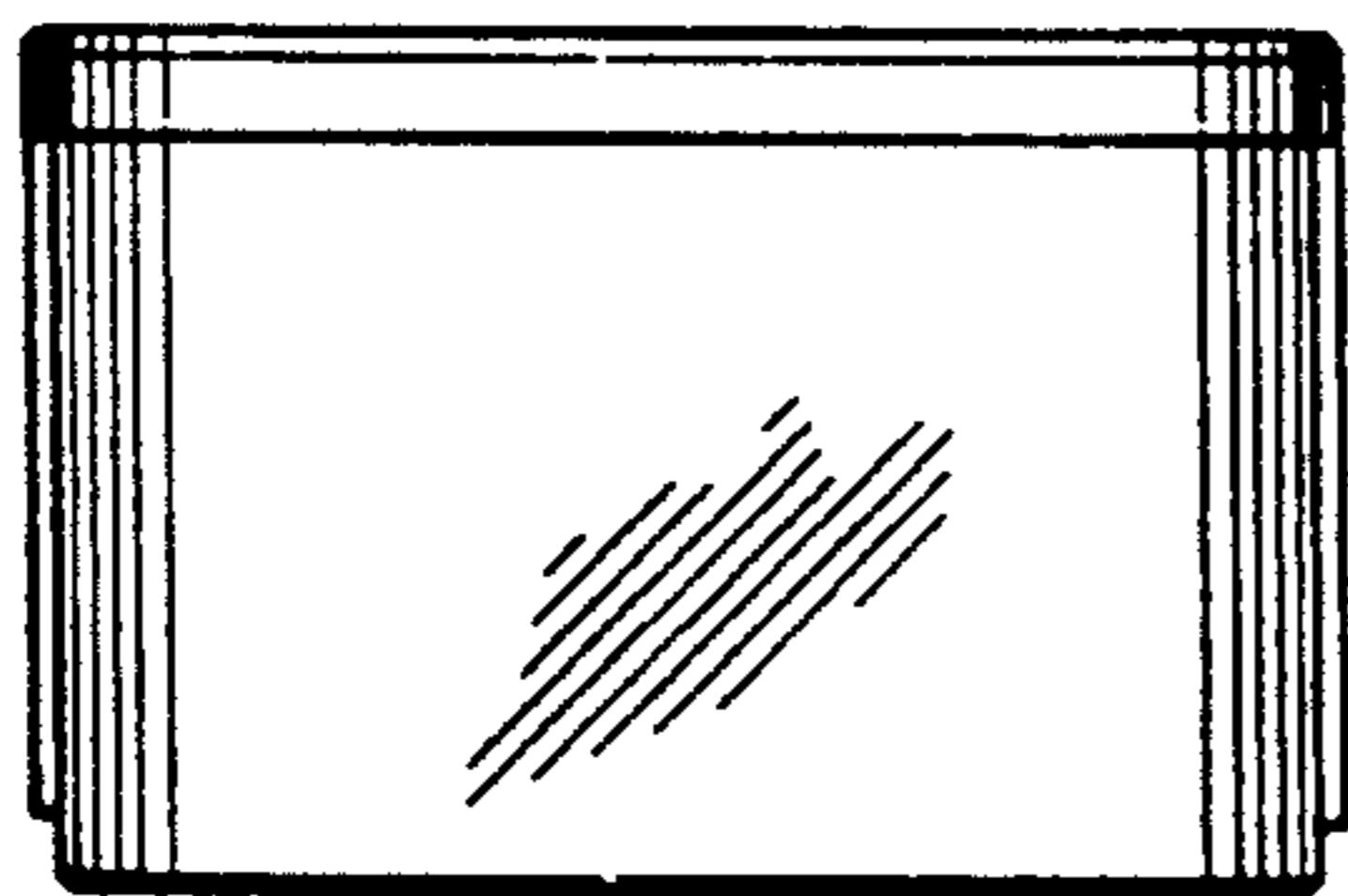


Fig. 5

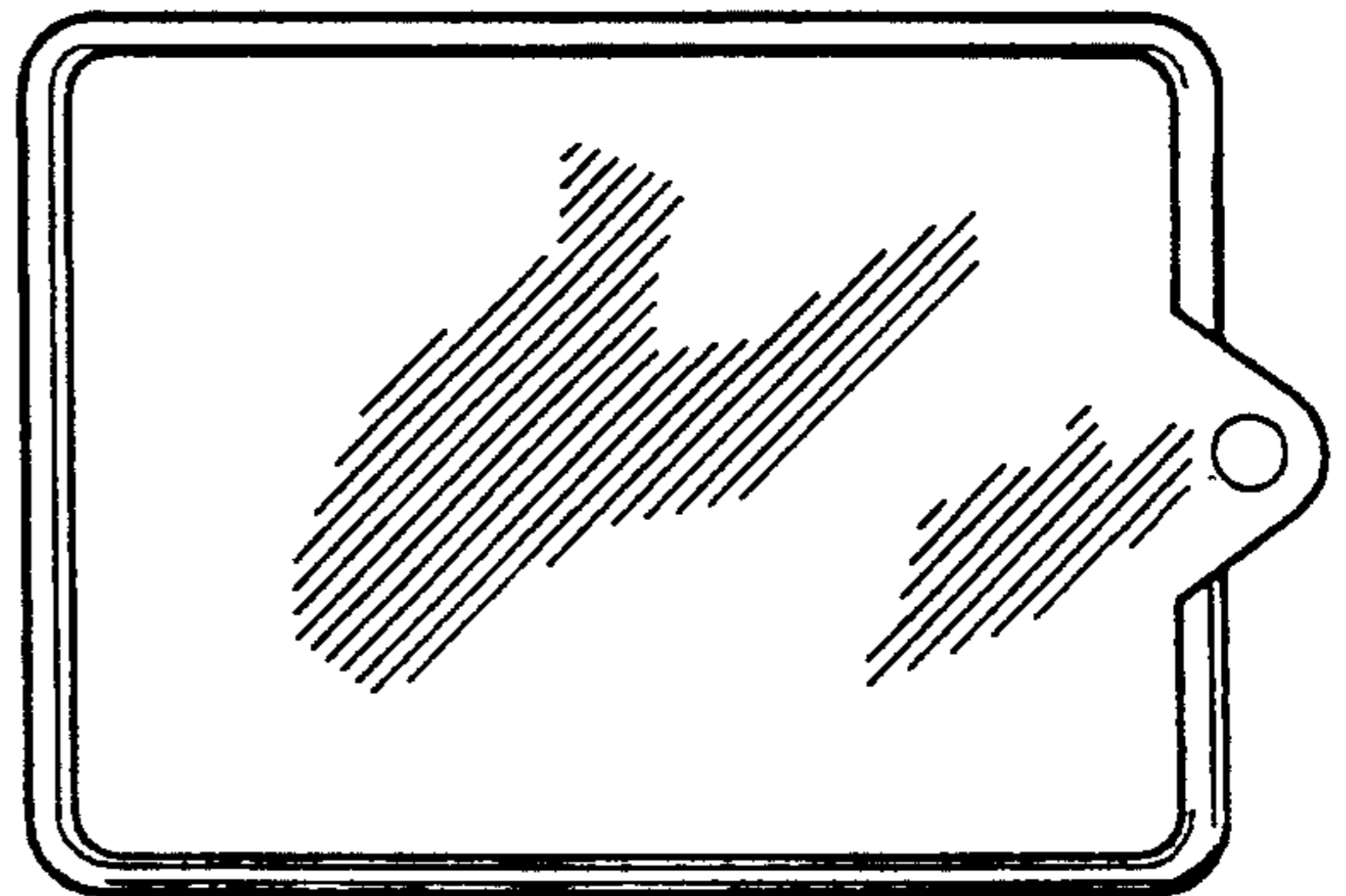


Fig. 6

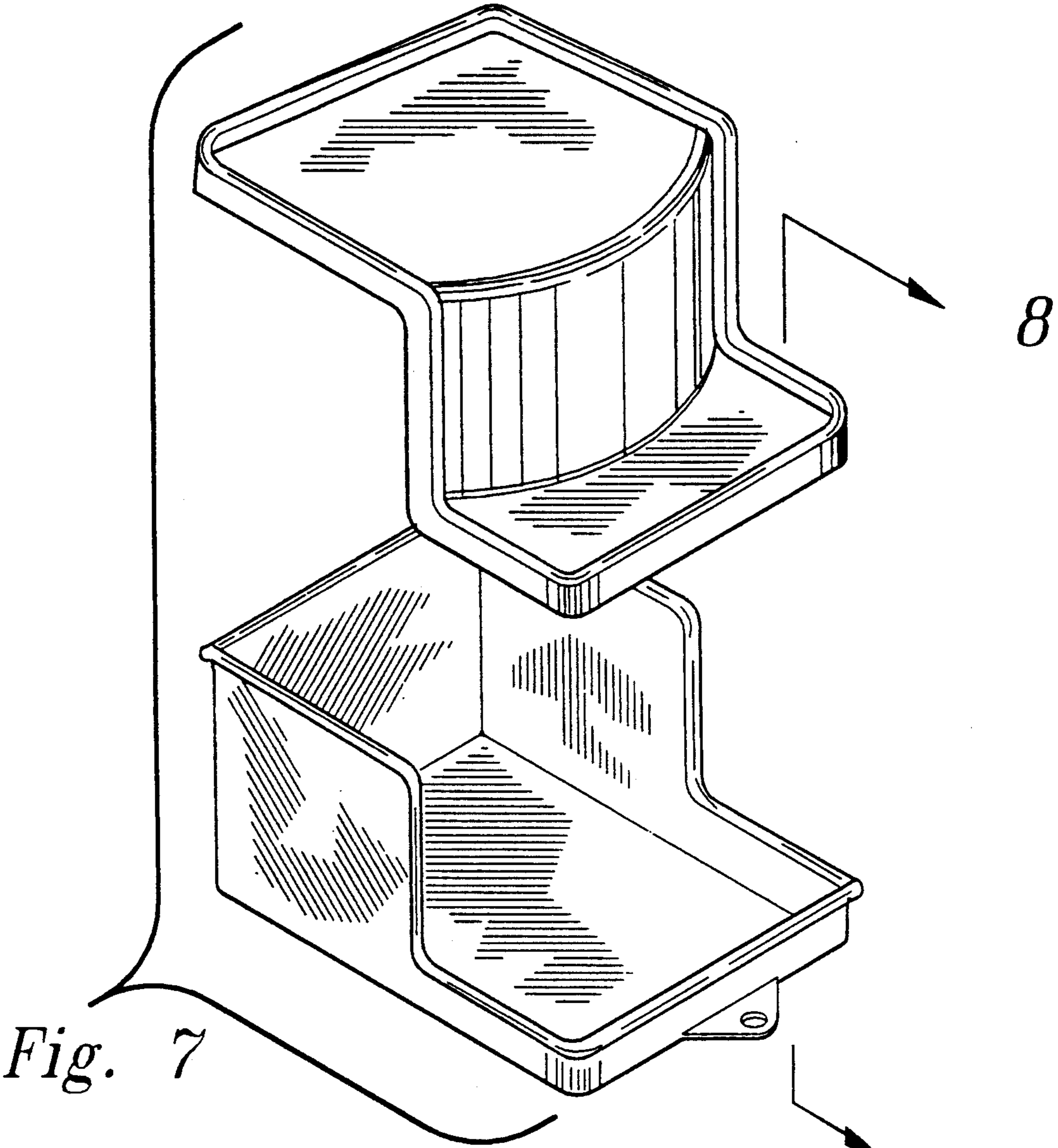


Fig. 7

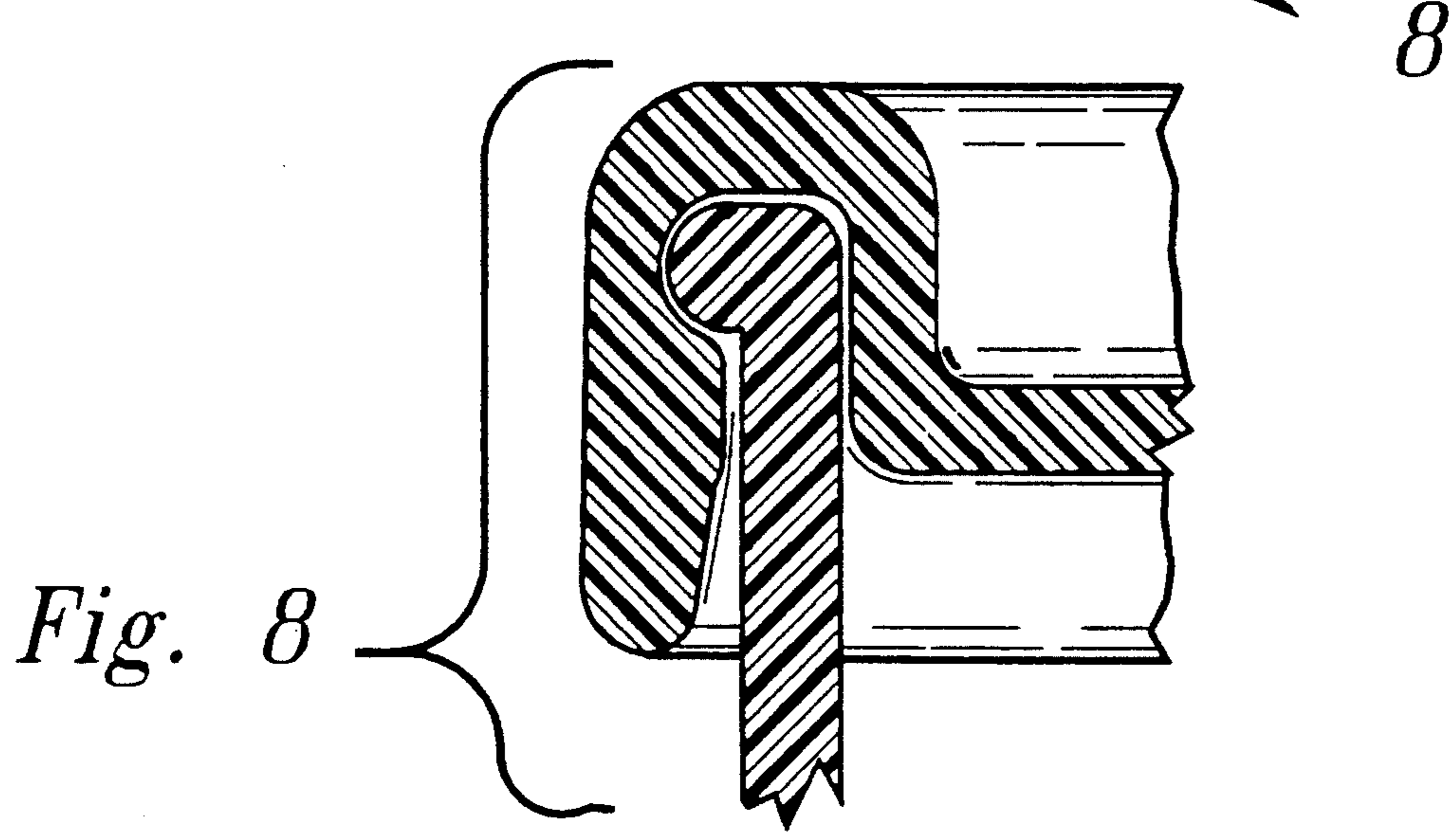


Fig. 8