



US00D344229S

United States Patent [19]

[11] Patent Number: Des. 344,229

Nelson

[45] Date of Patent: ** Feb. 15, 1994

[54] WIRE REEL

4,856,729 8/1989 Maraman 242/129

[76] Inventor: Lee E. Nelson, P.O. Box 2186, Kirkland, Wash. 98083

Primary Examiner—Wallace R. Burke
Assistant Examiner—H. Baynham
Attorney, Agent, or Firm—James Richard Vance

[**] Term: 14 Years

[57] CLAIM

[21] Appl. No.: 854,970

The ornamental design for a wire reel, as shown and described.

[22] Filed: Mar. 17, 1992

[52] U.S. Cl. D8/358

DESCRIPTION

[58] Field of Search D8/356, 358; 248/97, 248/99; 242/86.5 R, 85.1, 129

FIG. 1 is an isometric view of the wire reel of my invention in an open position;

[56] References Cited

U.S. PATENT DOCUMENTS

D. 192,189	2/1962	McMasters	D8/358
2,562,650	7/1951	Trunkhill	242/129
2,630,980	3/1953	Weaver	242/129
2,847,172	8/1958	Salkield	242/129
3,000,589	9/1961	Patterson	242/115
3,017,136	1/1962	Noffke	242/129
3,127,127	3/1964	Kohn et al.	242/129
3,729,092	4/1973	Marcell	206/52 W
3,974,980	8/1976	Marcell	242/129 X

FIG. 2 is an isometric view thereof in a closed position; FIG. 3 is a side-elevational view thereof in an open position;

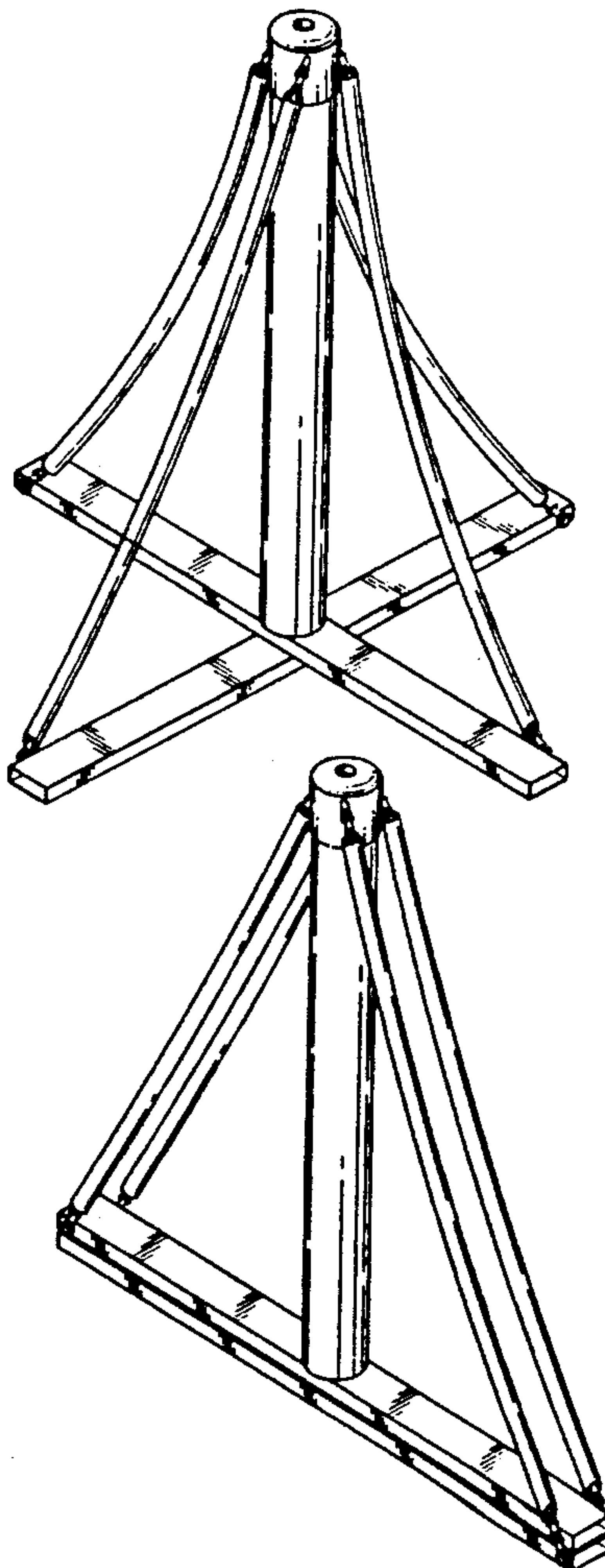
FIG. 4 is a side-elevational view thereof in a closed position;

FIG. 5 is a top plan view thereof in an open position;

FIG. 6 is a bottom plan view thereof in an open position;

FIG. 7 is a top plan view thereof in a closed position; and,

FIG. 8 is a bottom plan view thereof in a closed position.



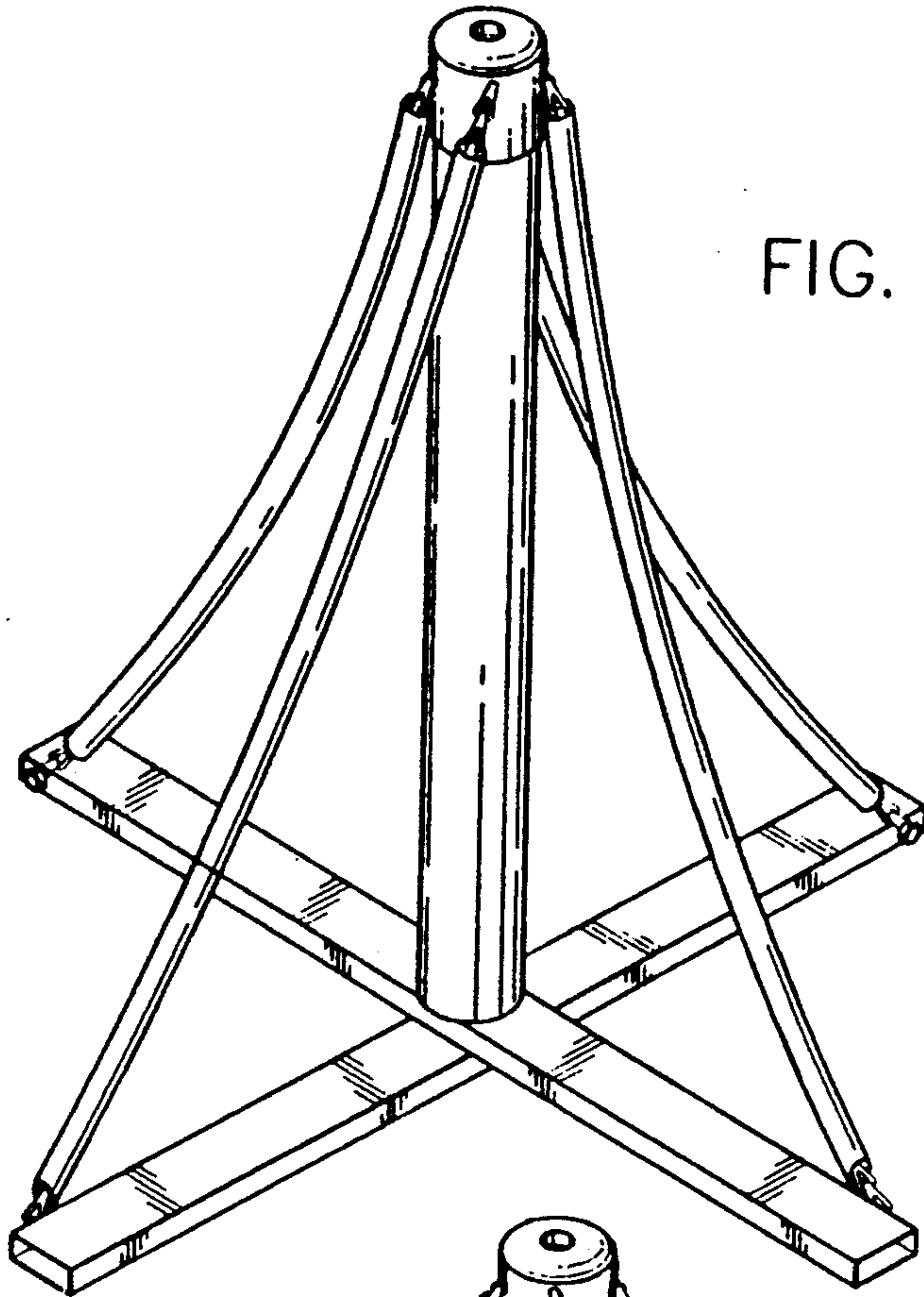


FIG. 1

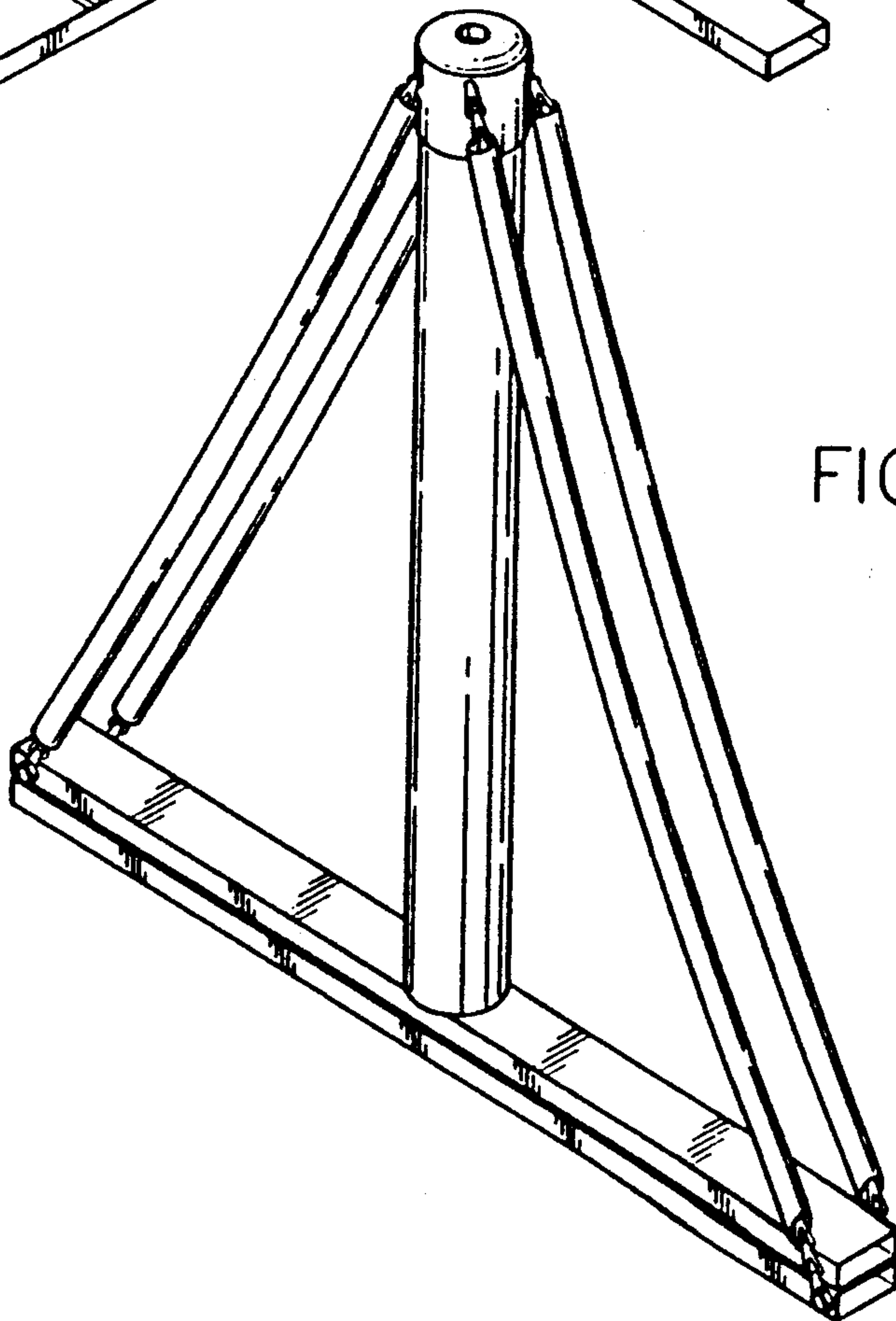
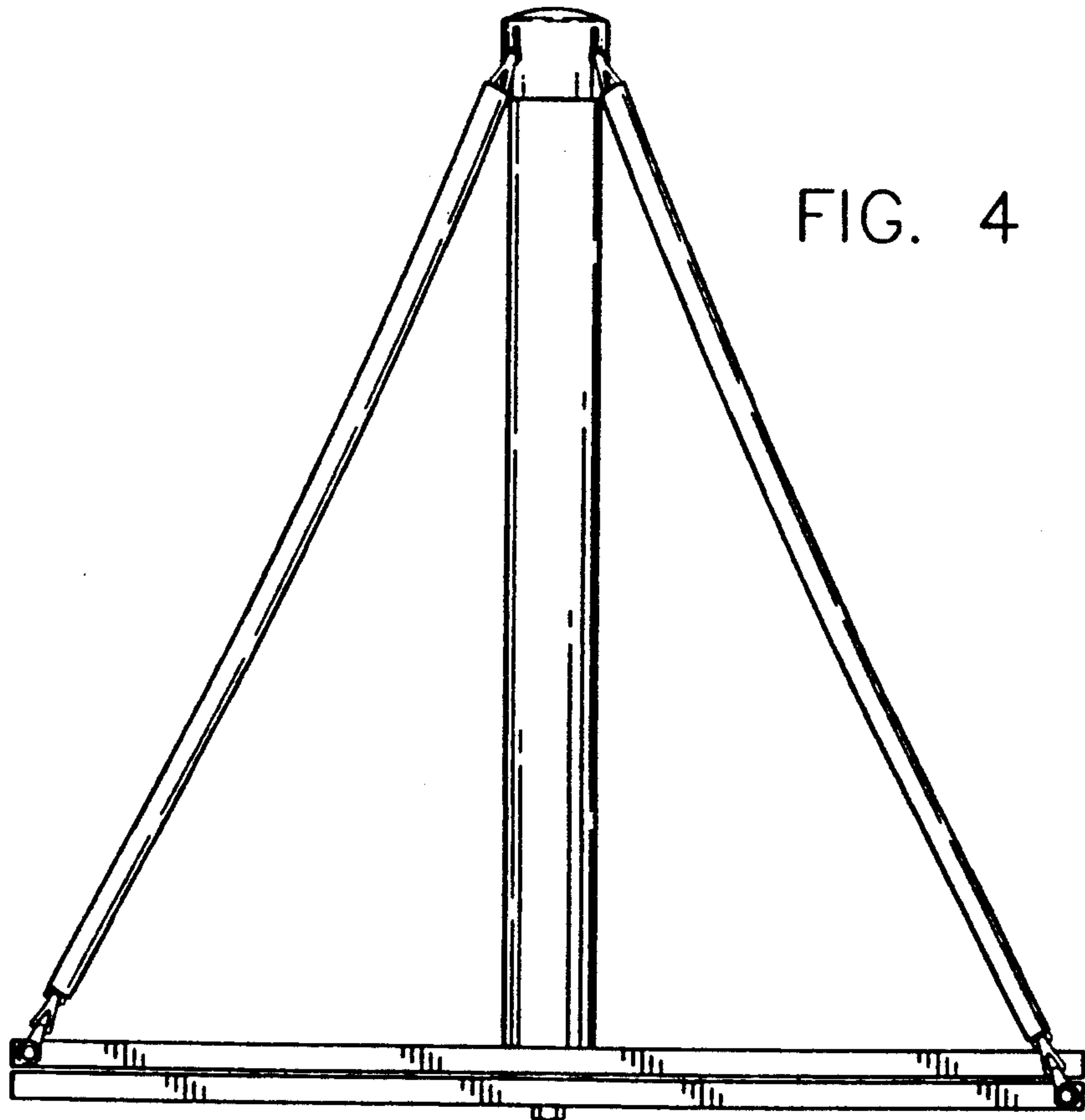
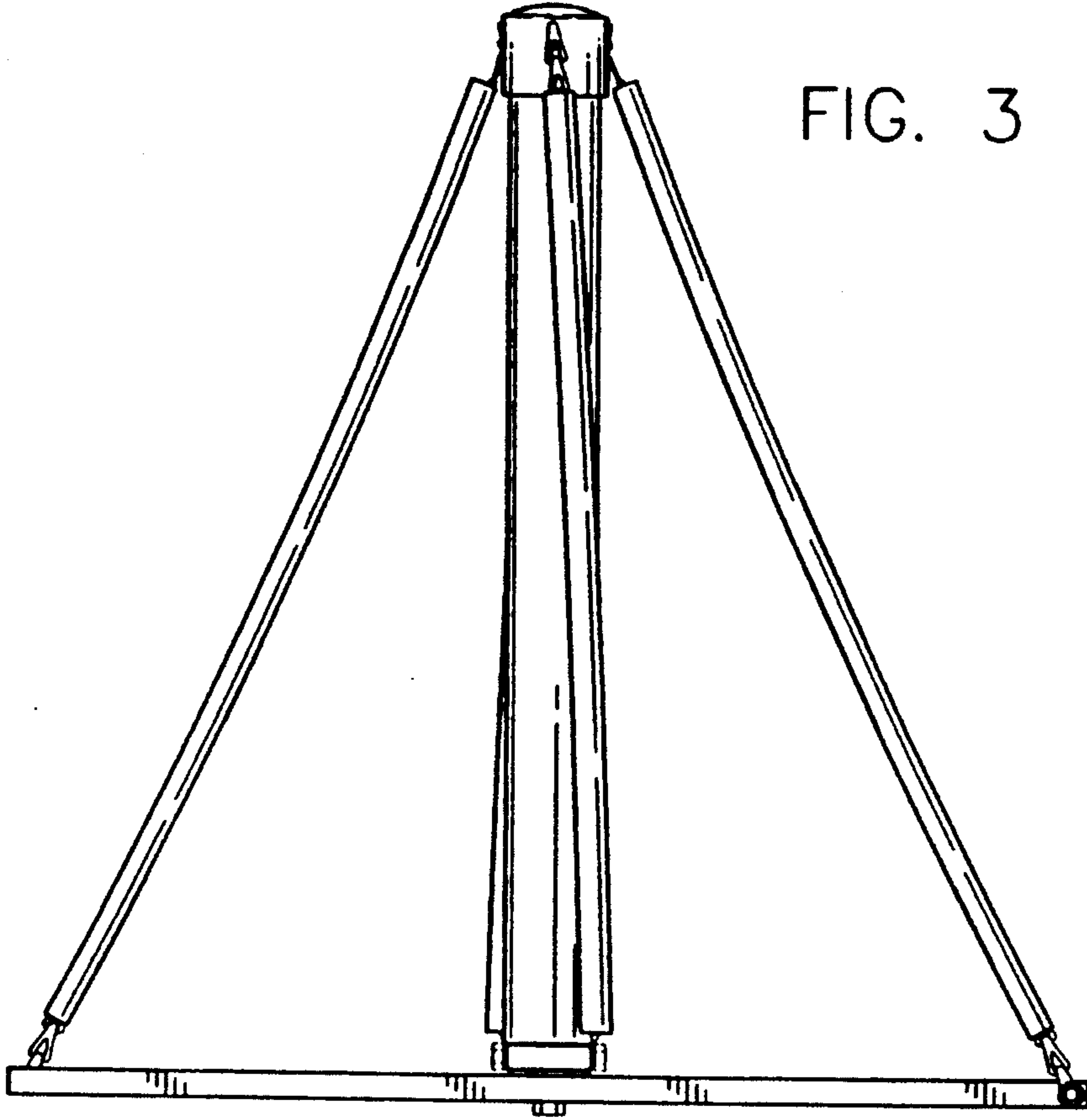


FIG. 2



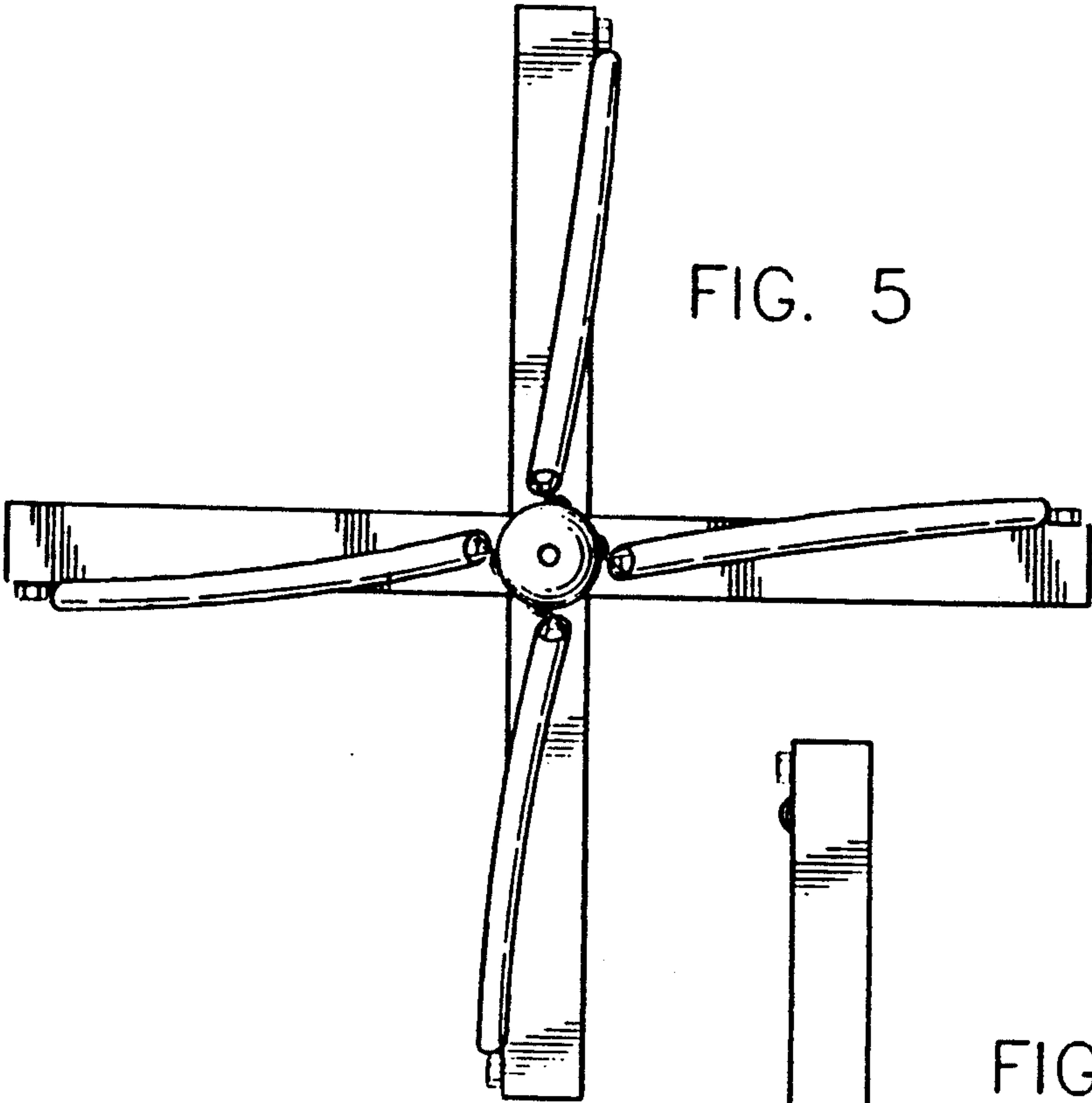


FIG. 5

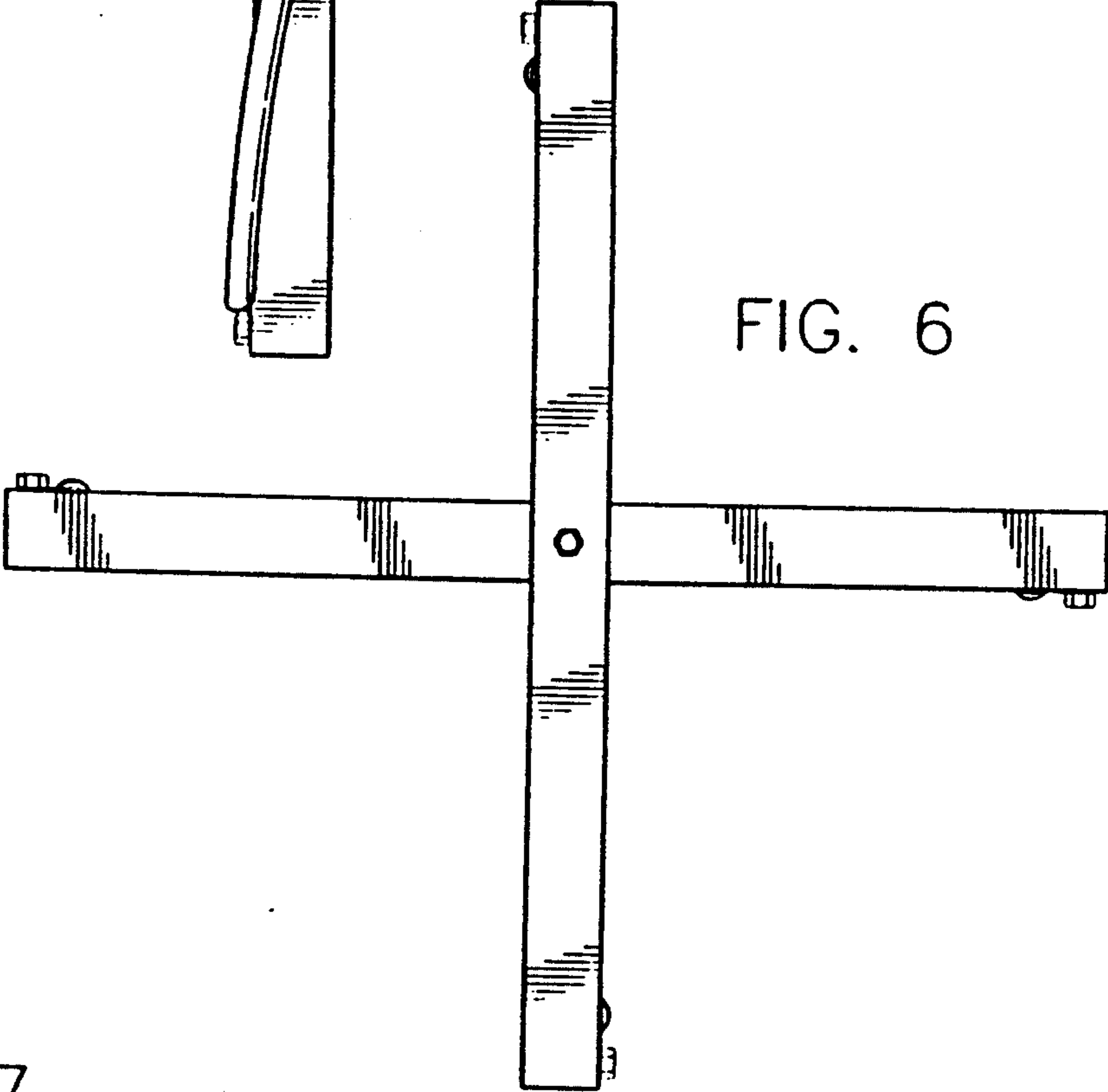


FIG. 6

FIG. 7

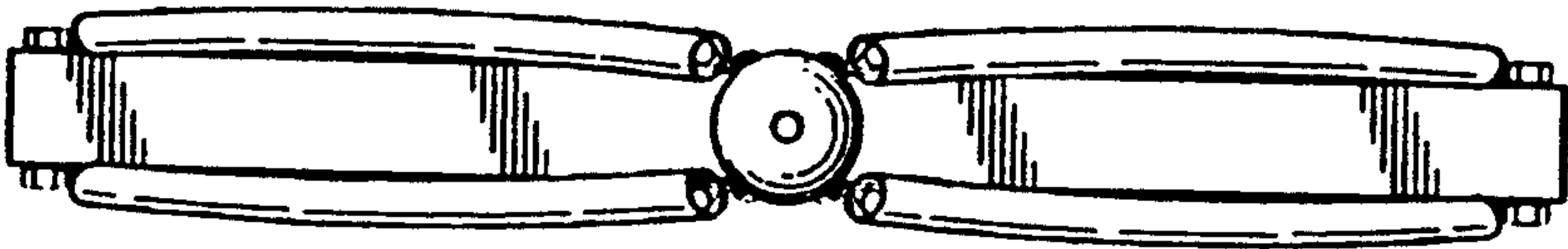


FIG. 8

