



US00D344223S

United States Patent [19]

[11] Patent Number: **Des. 344,223**

Kubicek

[45] Date of Patent: **** Feb. 15, 1994**

[54] **OPEN END RATCHET WRENCH**

2,712,259	7/1955	Cowell	D8/25
2,954,715	10/1960	Wycech	81/58.2
3,508,456	4/1970	Schultz	D8/25
4,592,255	6/1986	Mayer	81/63
4,926,720	5/1990	Srzanna	81/61

[76] Inventor: **Edward L. Kubicek**, 237 Morris, DeSoto, Tex. 75115-4929

[**] Term: **14 Years**

Primary Examiner—Bernard Ansher
Assistant Examiner—Philip Hyder
Attorney, Agent, or Firm—Terry M. Gernstein

[21] Appl. No.: **937,661**

[22] Filed: **Sep. 1, 1992**

[52] U.S. Cl. **D8/25; D8/22**

[57] **CLAIM**

[58] Field of Search **D8/21, 22, 25, 28; 81/61, 62, 63, 58.2**

The ornamental design for a open end ratchet wrench, as shown and described.

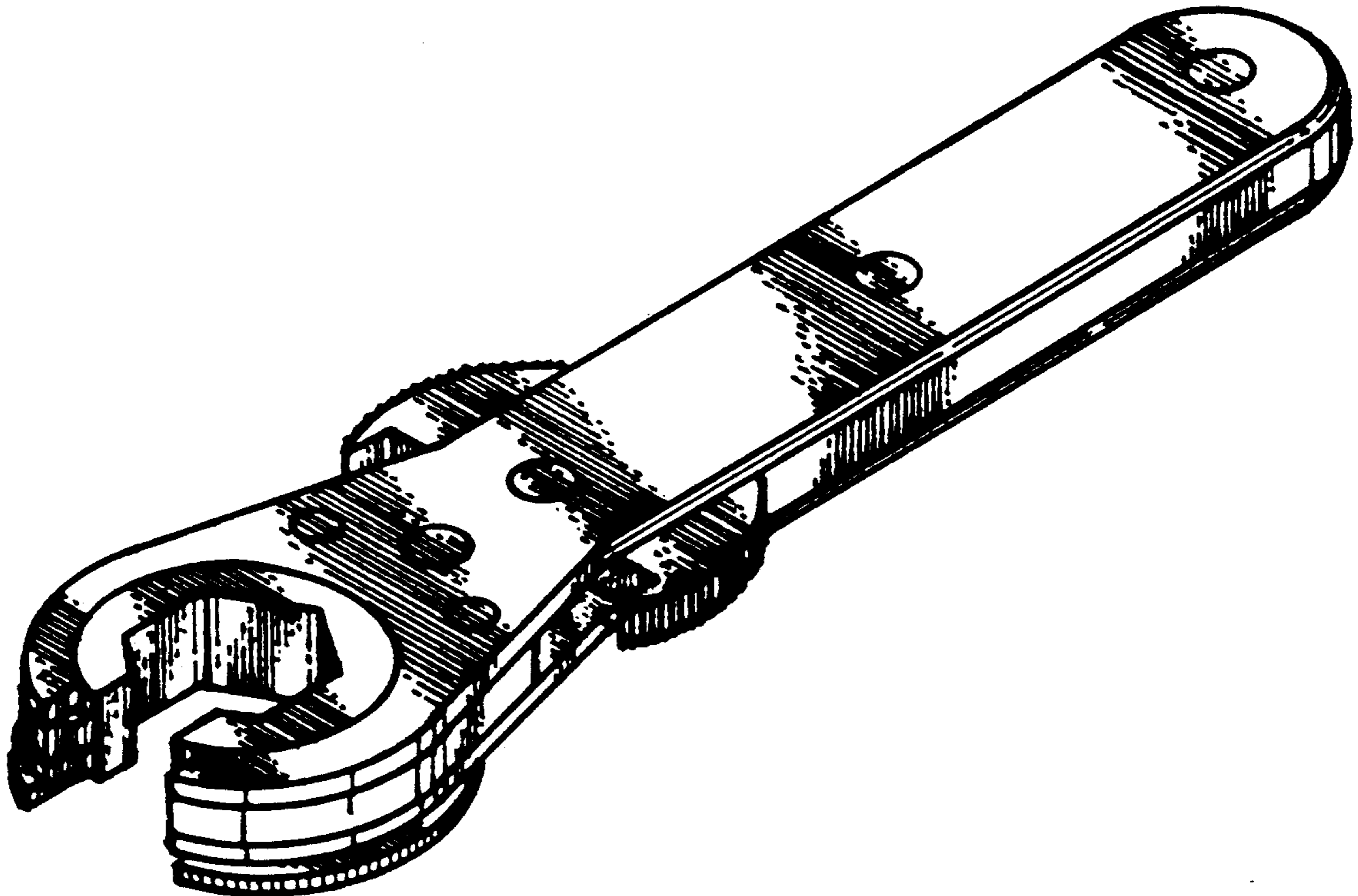
[56] **References Cited**

DESCRIPTION

U.S. PATENT DOCUMENTS

D. 225,606	12/1972	Teichmeier	D8/25
D. 238,140	12/1975	Gulmarin	D8/25
D. 260,353	8/1981	Redman	D8/25
1,639,078	8/1927	Coe	D8/25
2,537,175	1/1951	Viets	81/63
2,712,256	7/1955	Fish	81/62
2,712,257	7/1955	Fish	D8/25

FIG. 1 is a top and front end perspective view of the open end ratchet wrench showing my new design; FIG. 2 is a front end elevational view thereof; FIG. 3 is a rear end elevational view thereof; FIG. 4 is a side elevational view thereof, the side opposite being a mirror image of the side shown in FIG. 4; FIG. 5 is a top plan view thereof; and, FIG. 6 is a bottom plan view thereof.



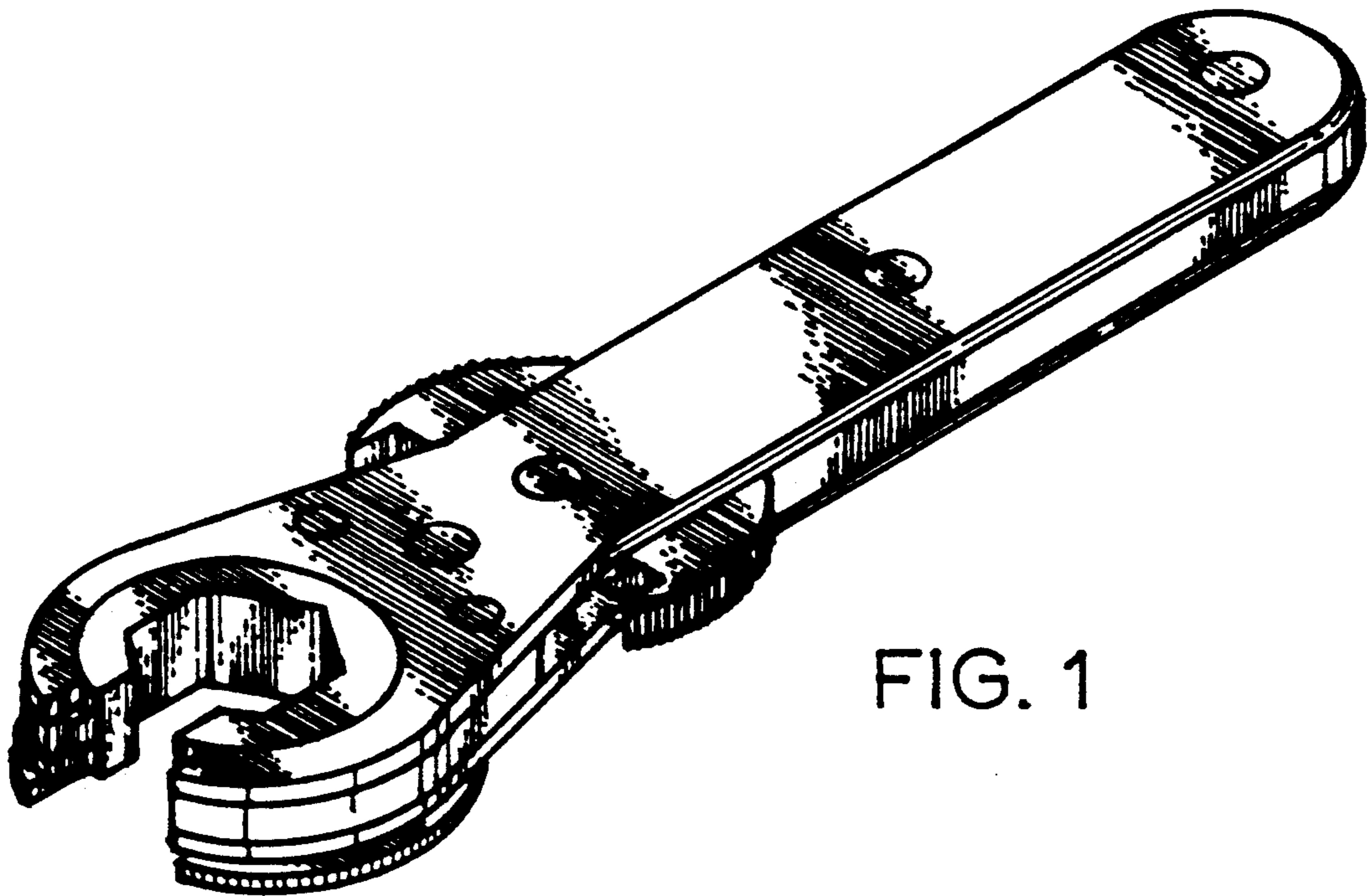


FIG. 1



FIG. 2



FIG. 3



FIG. 4

