



US00D344222S

# United States Patent [19]

[11] Patent Number: Des. 344,222

White

[45] Date of Patent: \*\* Feb. 15, 1994

[54] CARPET STRETCHER

4,627,653 12/1986 Koroyasu ..... 254/200

[76] Inventor: Michael J. White, 1705 12th St., Los Osos, Calif. 93402

Primary Examiner—Bernard Ansher  
Assistant Examiner—Philip Hyder  
Attorney, Agent, or Firm—Daniel C. McKown

[\*\*] Term: 14 Years

[57] CLAIM

[21] Appl. No.: 833,392

The ornamental design for a carpet stretcher, as shown and described.

[22] Filed: Feb. 6, 1992

[52] U.S. Cl. .... D8/15

DESCRIPTION

[58] Field of Search ..... D8/14, 15, 51; 227/12, 227/13; 254/200, 201, 206

FIG. 1 is a bottom plan view of a carpet stretcher showing my new design;

[56] References Cited

U.S. PATENT DOCUMENTS

D. 213,402	2/1969	Brenner	.....	D8/15
3,300,182	1/1967	Bussard	.....	D8/15
3,572,800	3/1971	Graziano	.....	254/200
3,784,078	1/1974	Escoe	.....	D8/15
3,951,382	4/1976	Asbury	.....	254/201
3,977,651	8/1976	Chamberlain	.....	254/201

FIG. 2 is a top plan view thereof;

FIG. 3 is a front elevational view thereof;

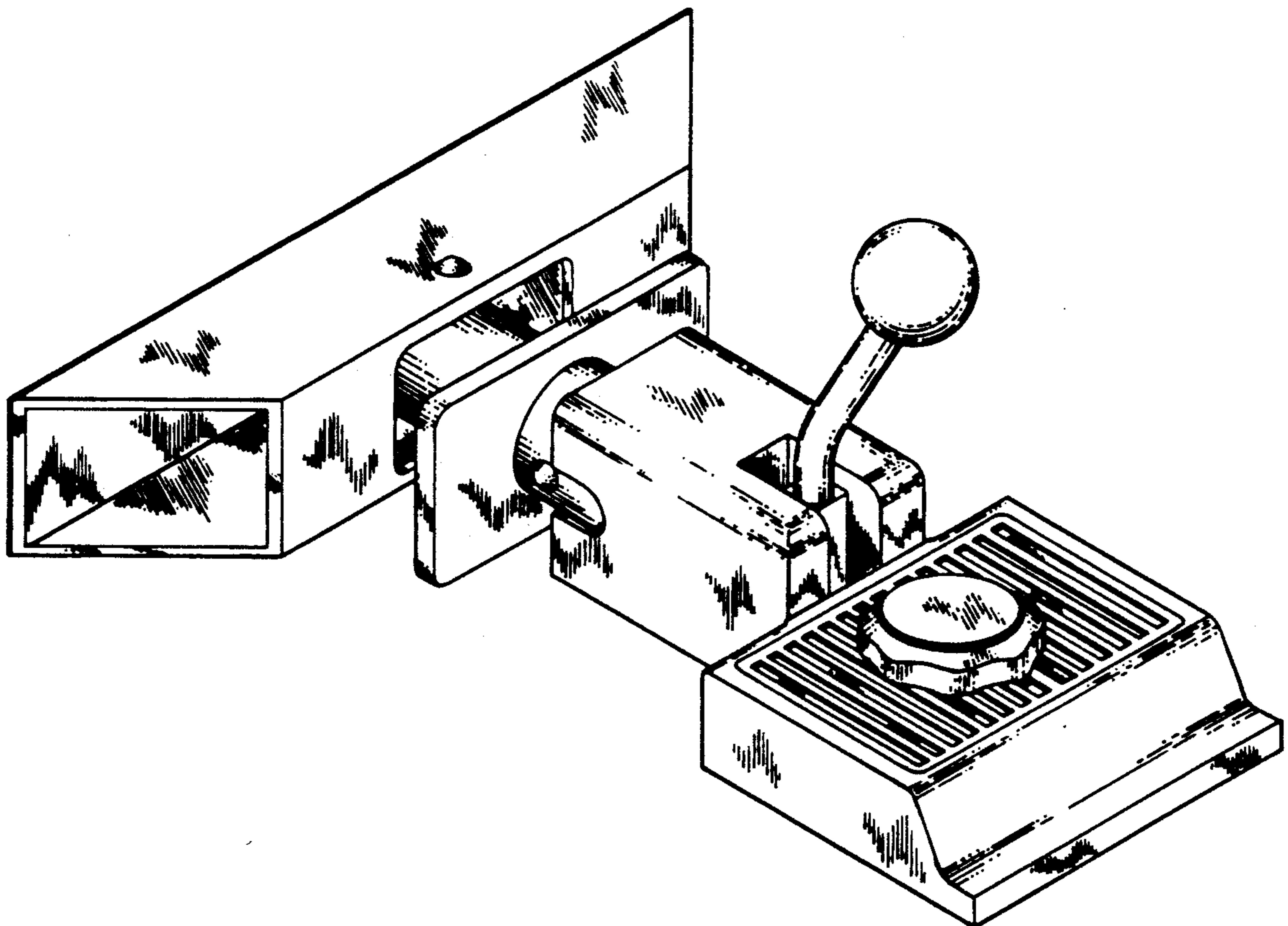
FIG. 4 is a rear elevational view thereof;

FIG. 5 is a left side elevational view thereof;

FIG. 6 is a right side elevational view thereof;

FIG. 7 is a right side elevational view showing the carpet stretcher for use in confined areas in its configuration of maximum extension; and,

FIG. 8 is a top front right side perspective view thereof.



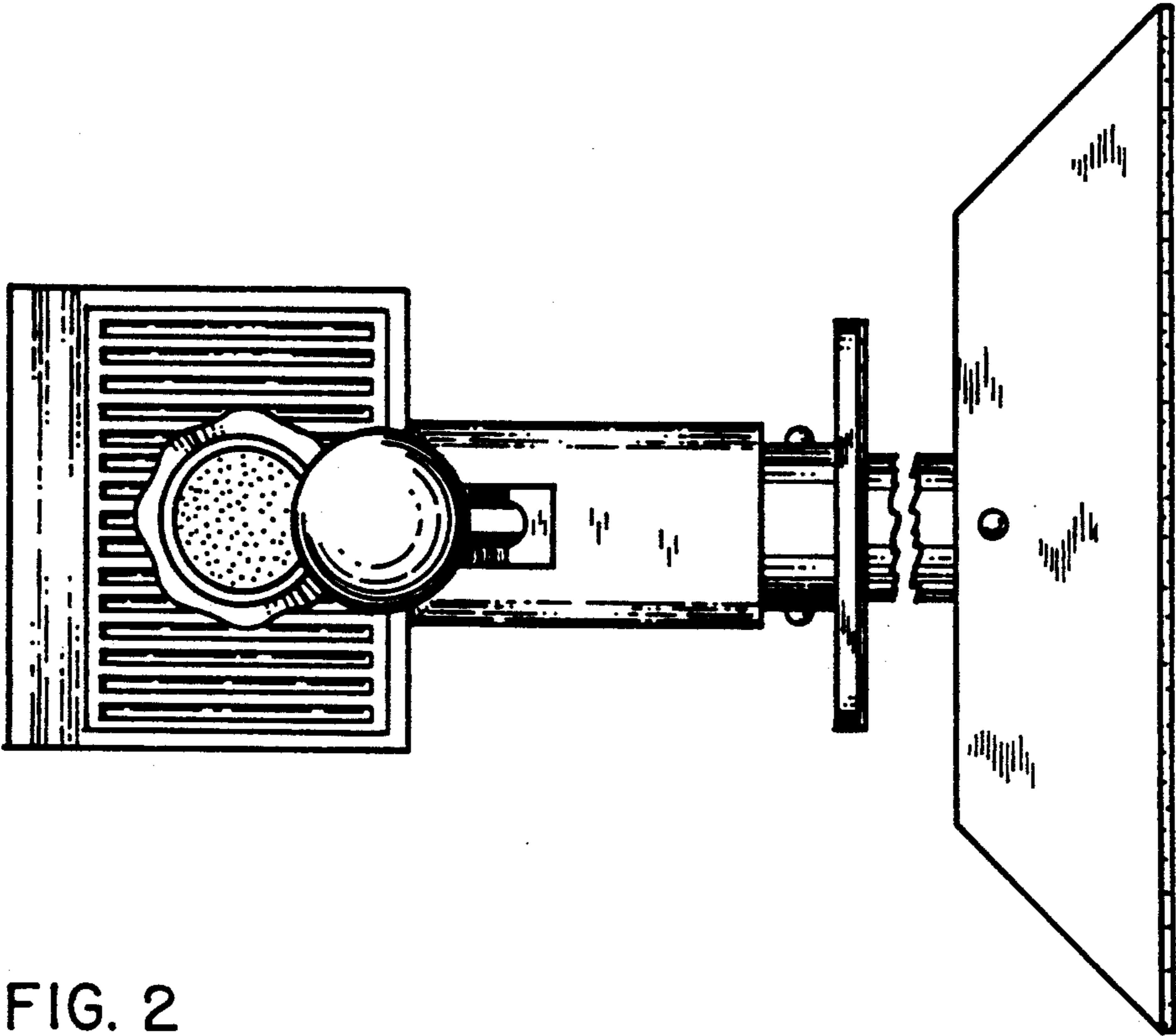


FIG. 2

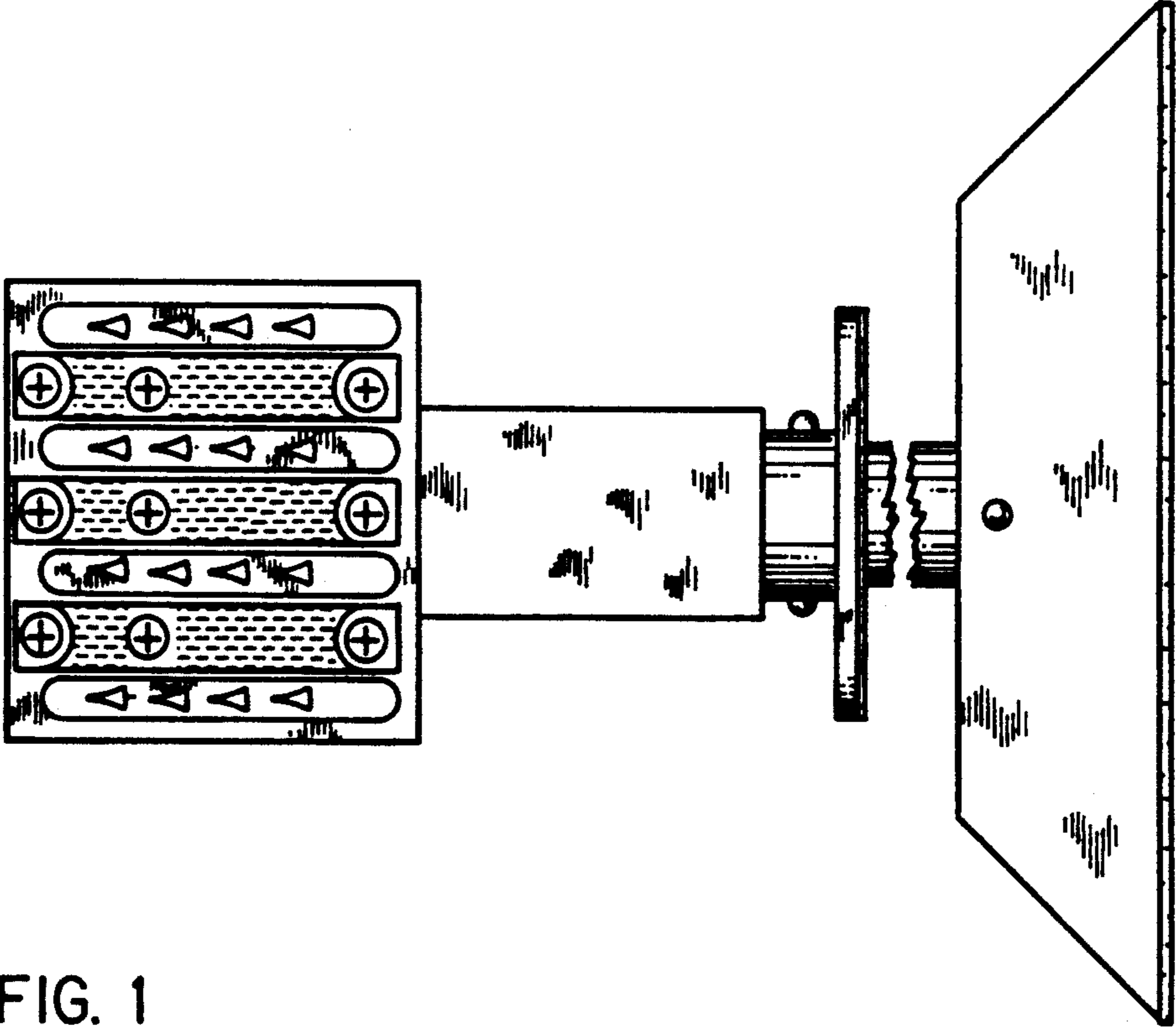


FIG. 1

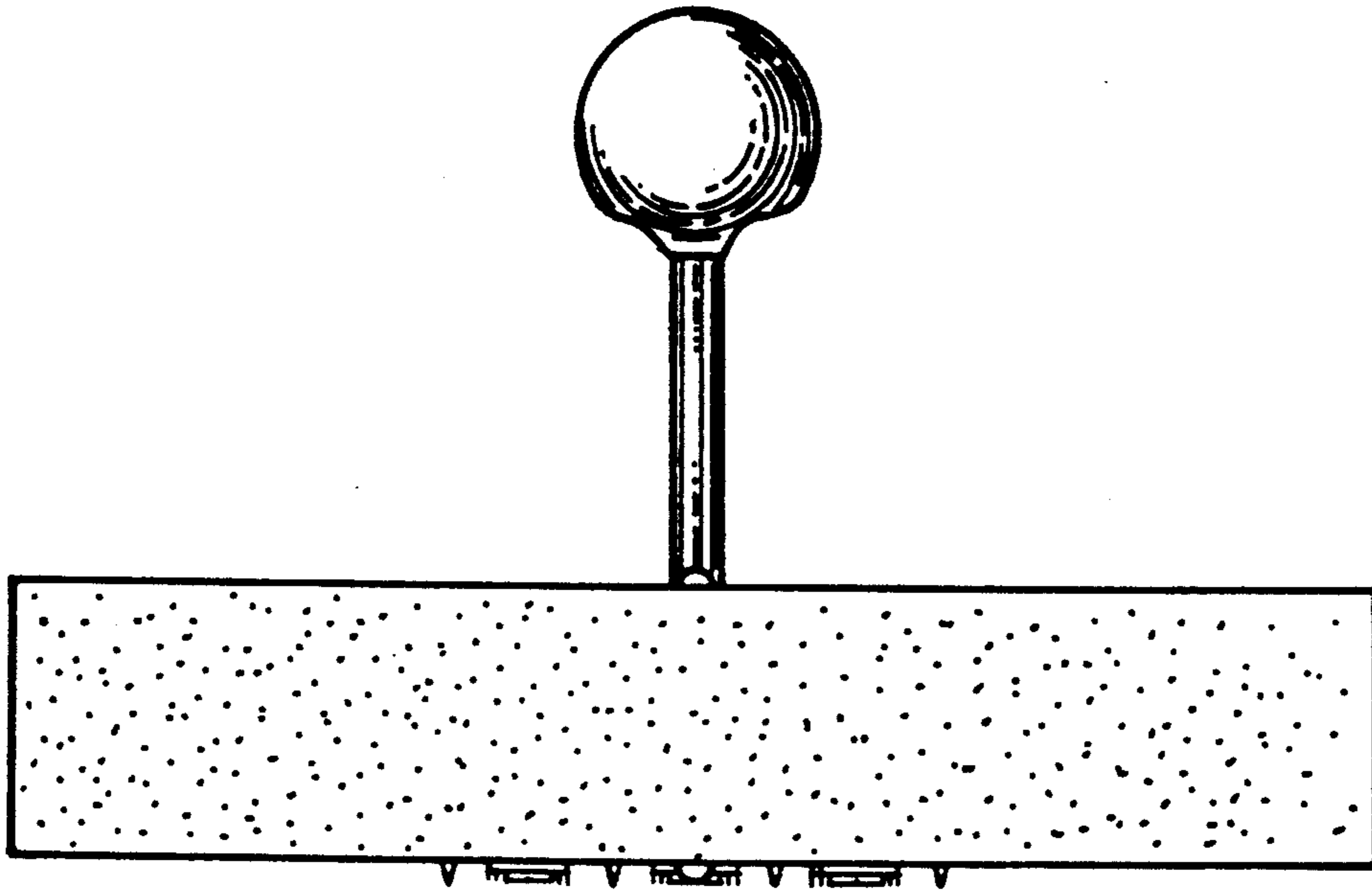


FIG. 4

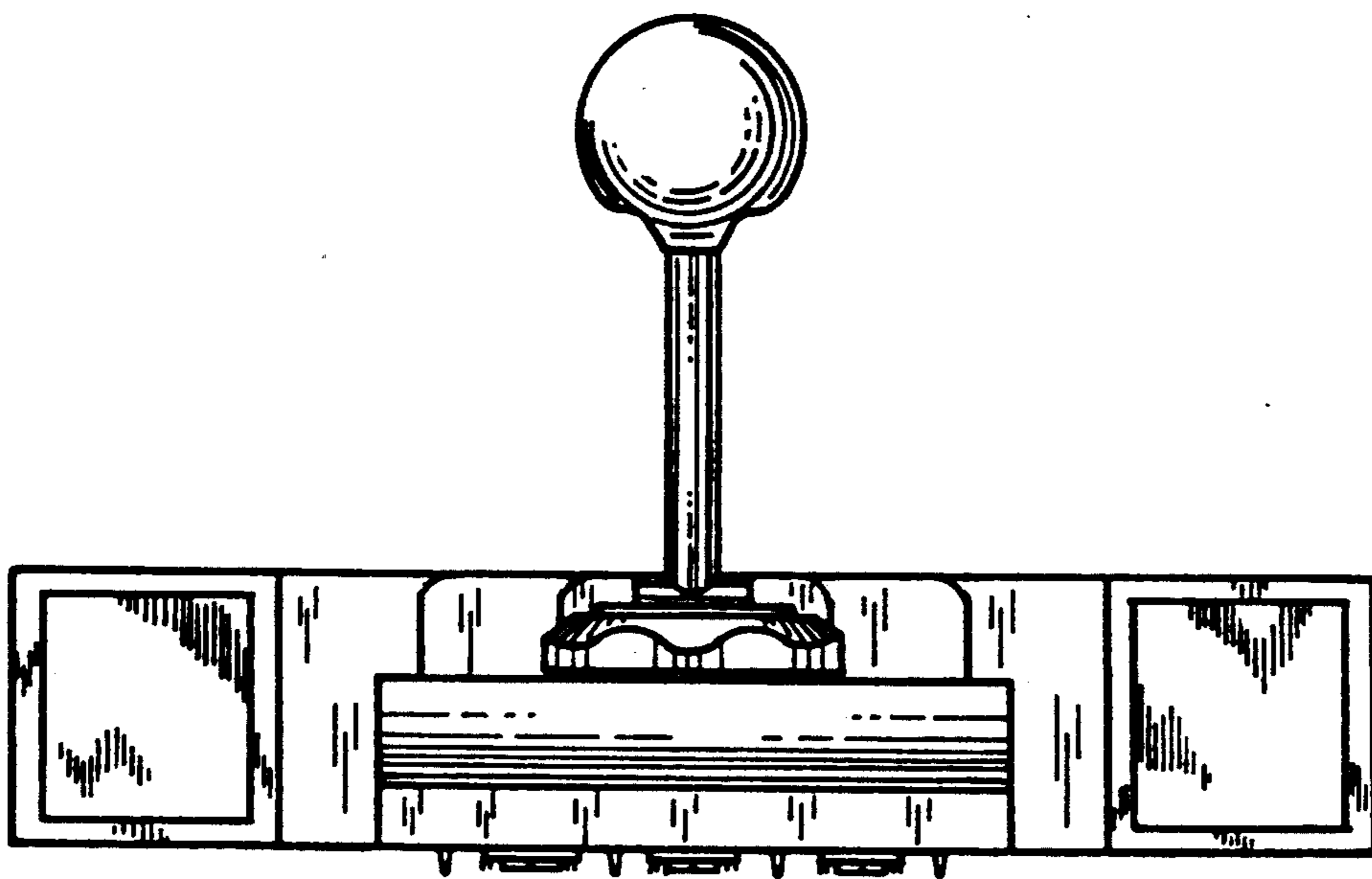


FIG. 3

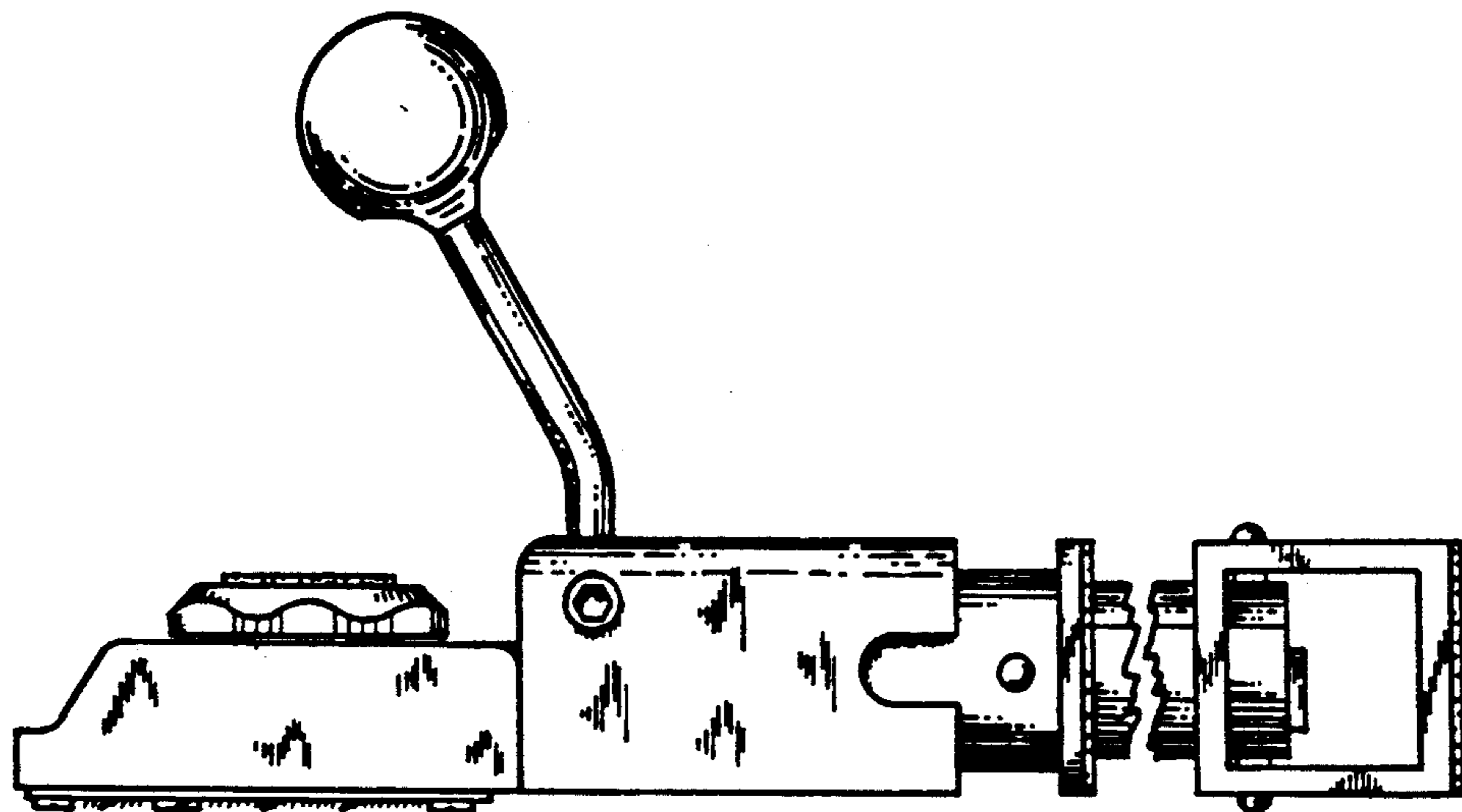


FIG. 5

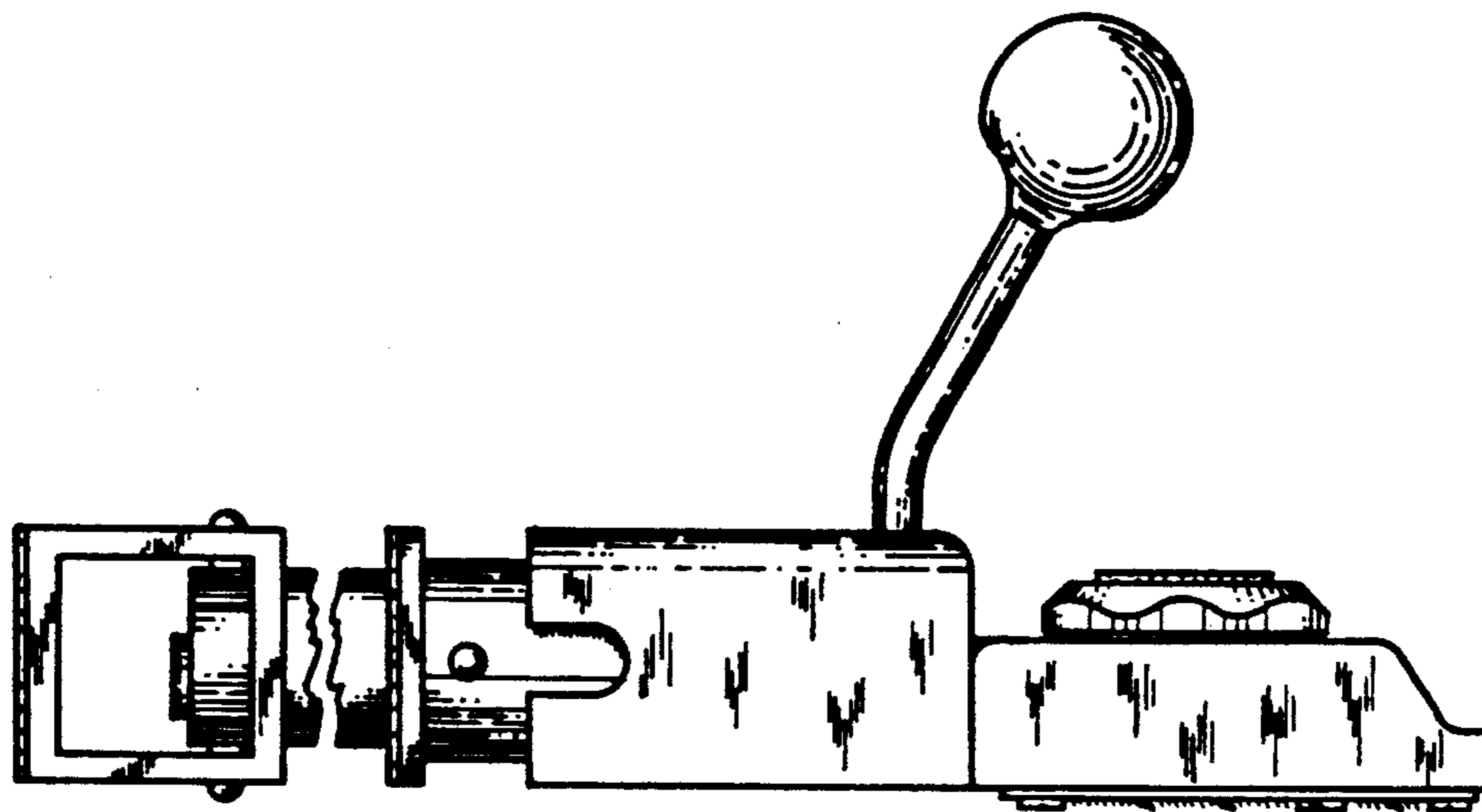


FIG. 6

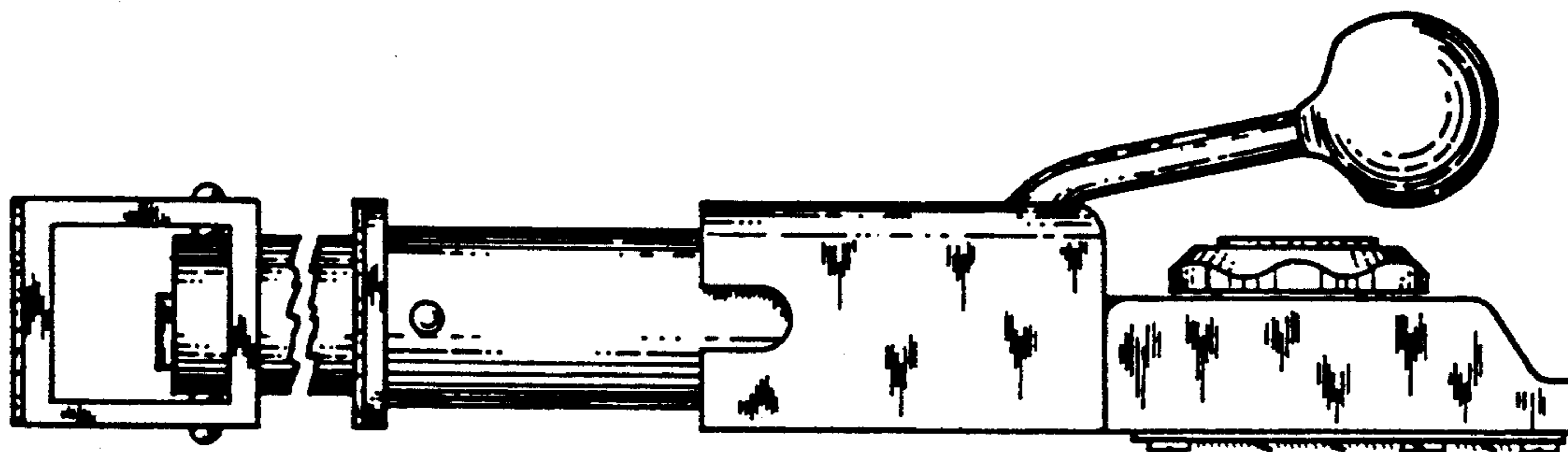


FIG. 7

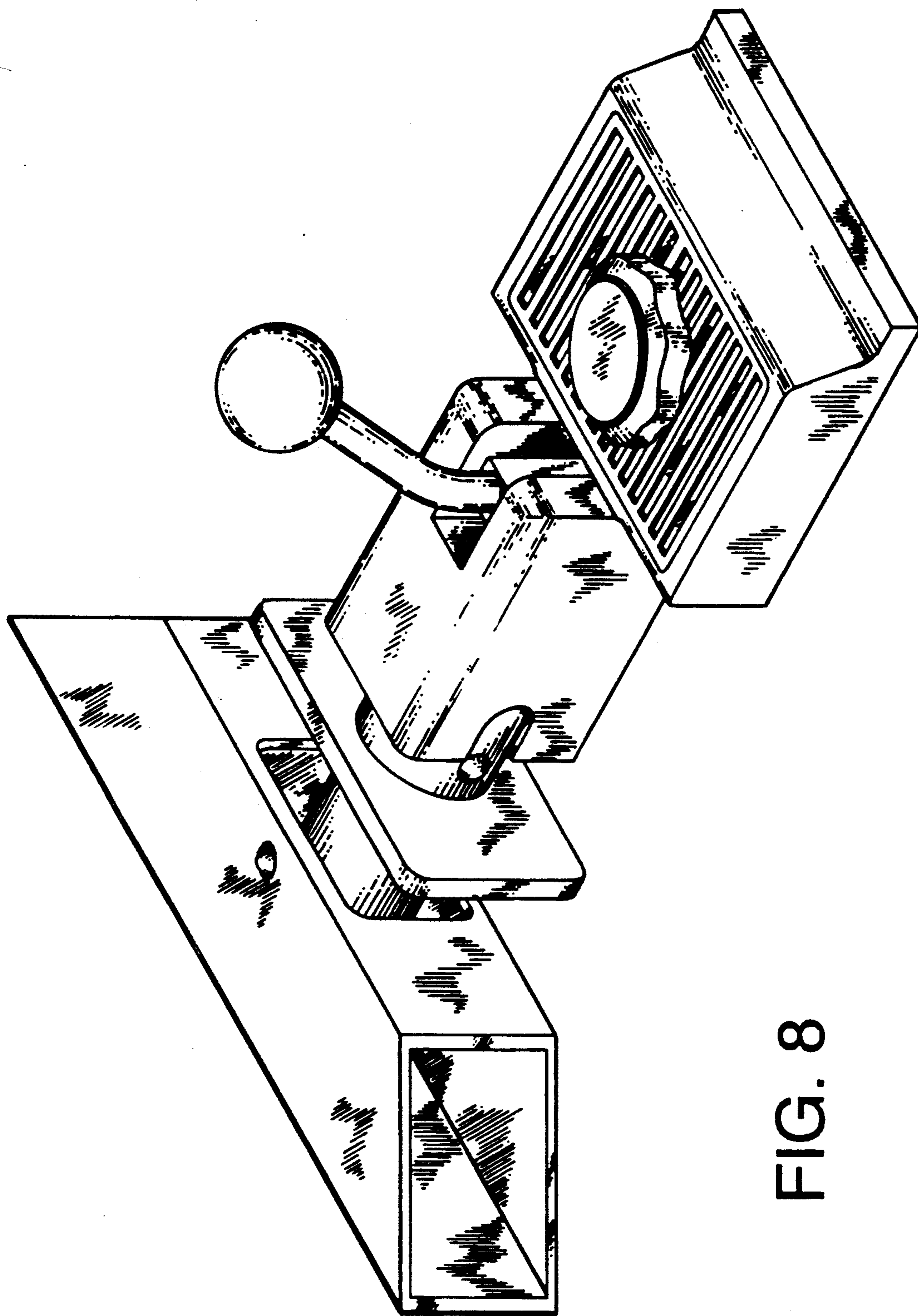


FIG. 8