



US00D344221S

United States Patent [19]

[11] Patent Number: **Des. 344,221**

Allbright

[45] Date of Patent: **** Feb. 15, 1994**

[54] GARDEN HOE BLADE

[76] Inventor: **Jimmy W. Allbright**, 3943 Richmond, Odessa, Tex. 79762

[**] Term: **14 Years**

[21] Appl. No.: **5,581**

[22] Filed: **Mar. 5, 1993**

[52] U.S. Cl. **D8/11**

[58] Field of Search **D8/11, 9, 7; 172/371-373, 375; 7/114-116**

[56] **References Cited**

U.S. PATENT DOCUMENTS

D. 248,819	8/1978	Hare	D8/11
D. 279,541	7/1985	Rodrigues-Quiros et al.	D8/11
926,220	6/1909	Sordi	D8/11 X
1,259,530	3/1918	Lasister	172/371

OTHER PUBLICATIONS

Leichtung Handys Catalog, Fall 1985, p. 60, scraper, circled at bottom of page.

Primary Examiner—Wallace R. Burke

Assistant Examiner—H. Baynham

Attorney, Agent, or Firm—Richard C. Litman

[57] CLAIM

The ornamental design for a garden hoe blade, as shown and described.

DESCRIPTION

FIG. 1 is an perspective view of a garden hoe blade showing my new design;

FIG. 2 is a front elevational view thereof;

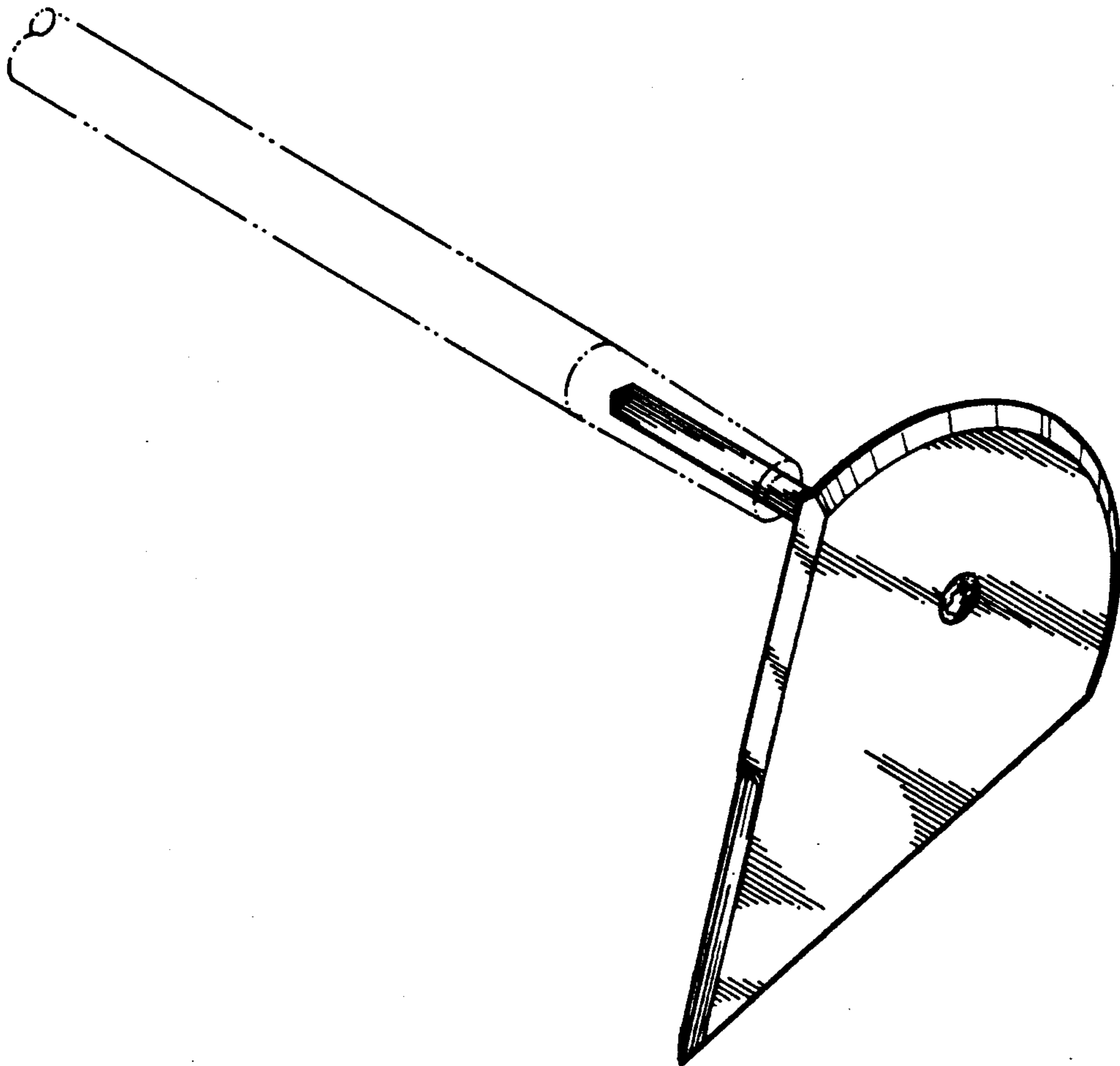
FIG. 3 is a rear elevational view thereof;

FIG. 4 is a bottom view thereof;

FIG. 5 is a right side elevational view with the left side being a mirror image thereof; and,

FIG. 6 is a top view thereof.

The broken line showing of the hoe handle in FIG. 1 is for illustrative purposes only and forms no part of the claimed design.



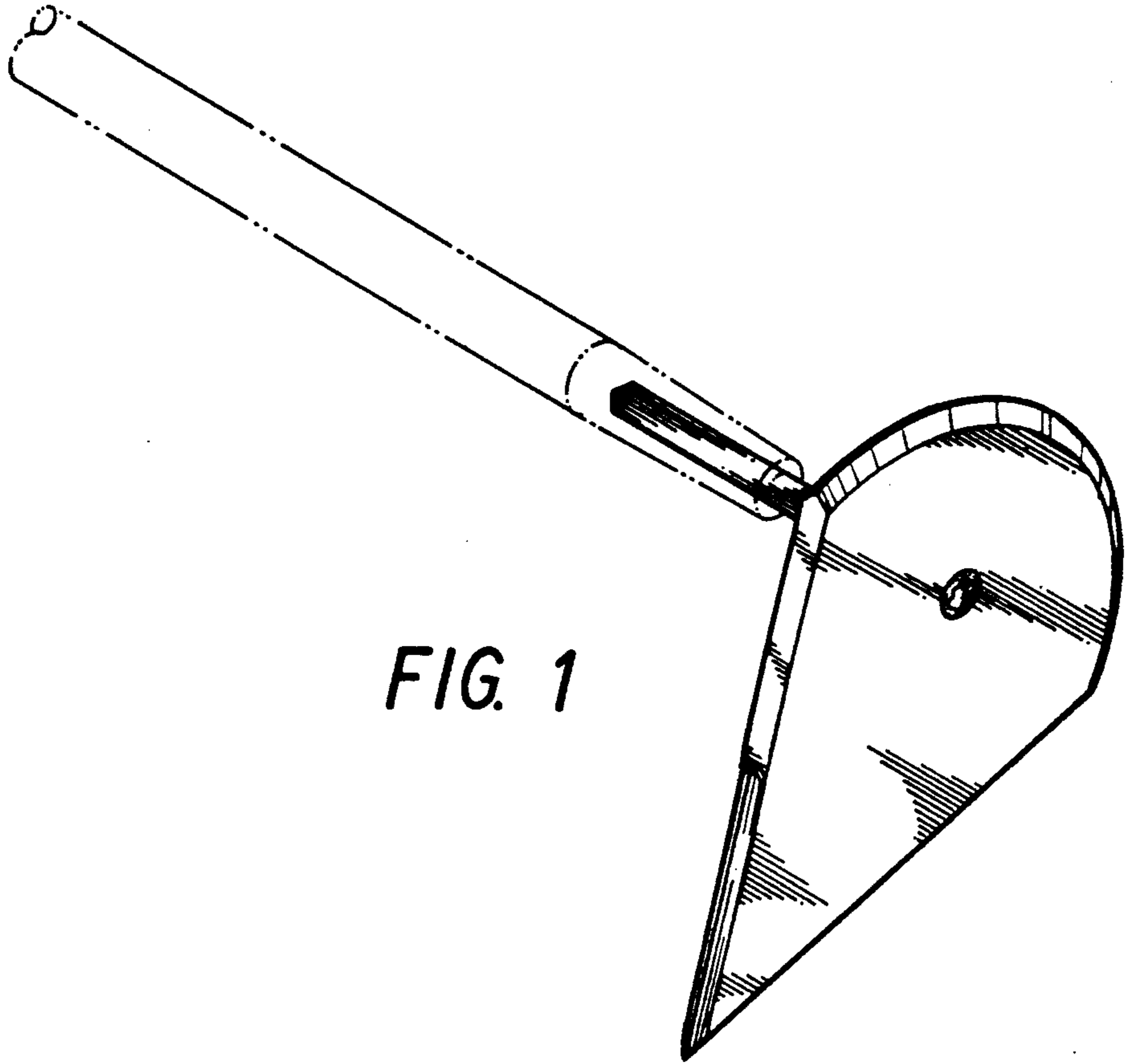


FIG. 1

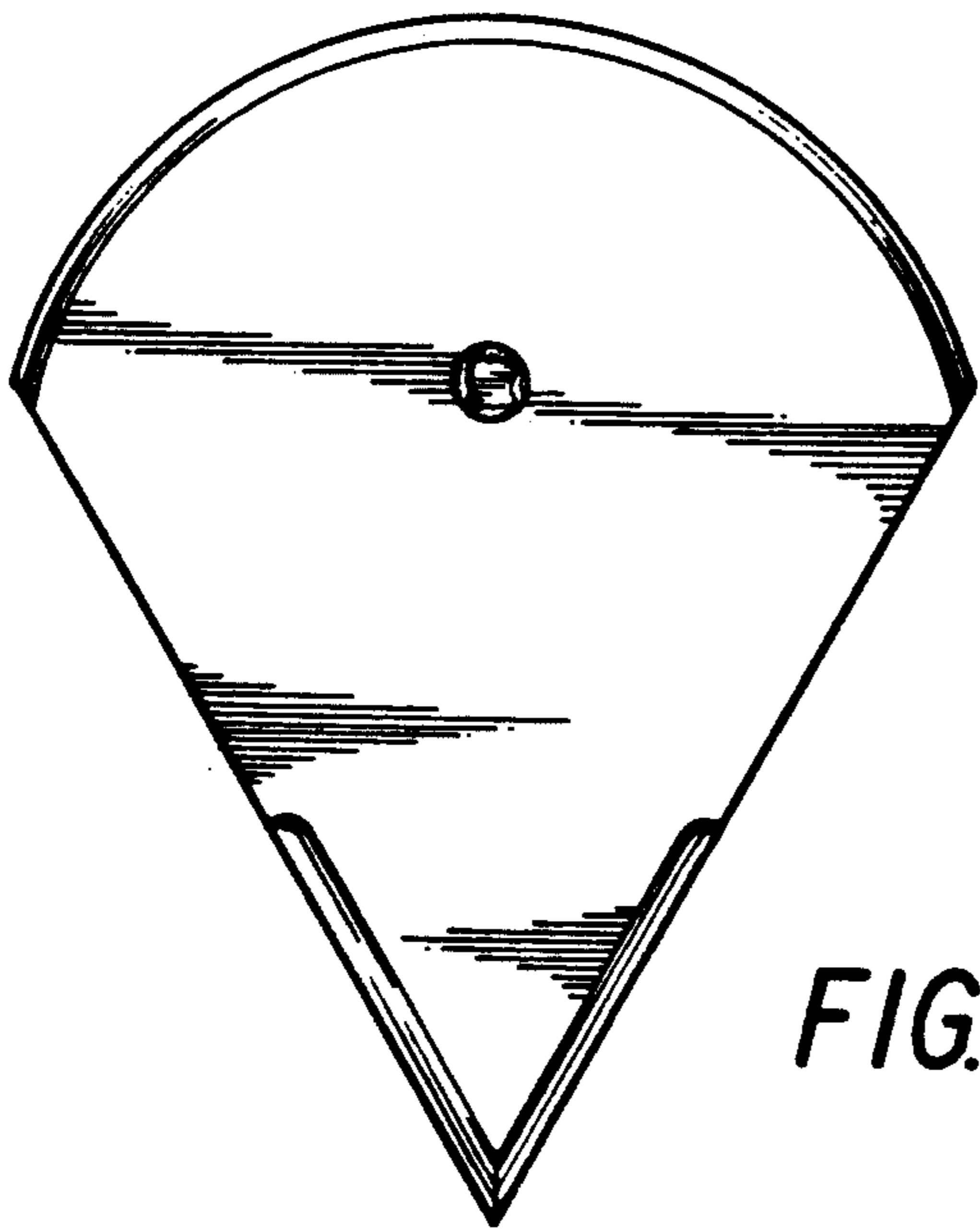


FIG. 2

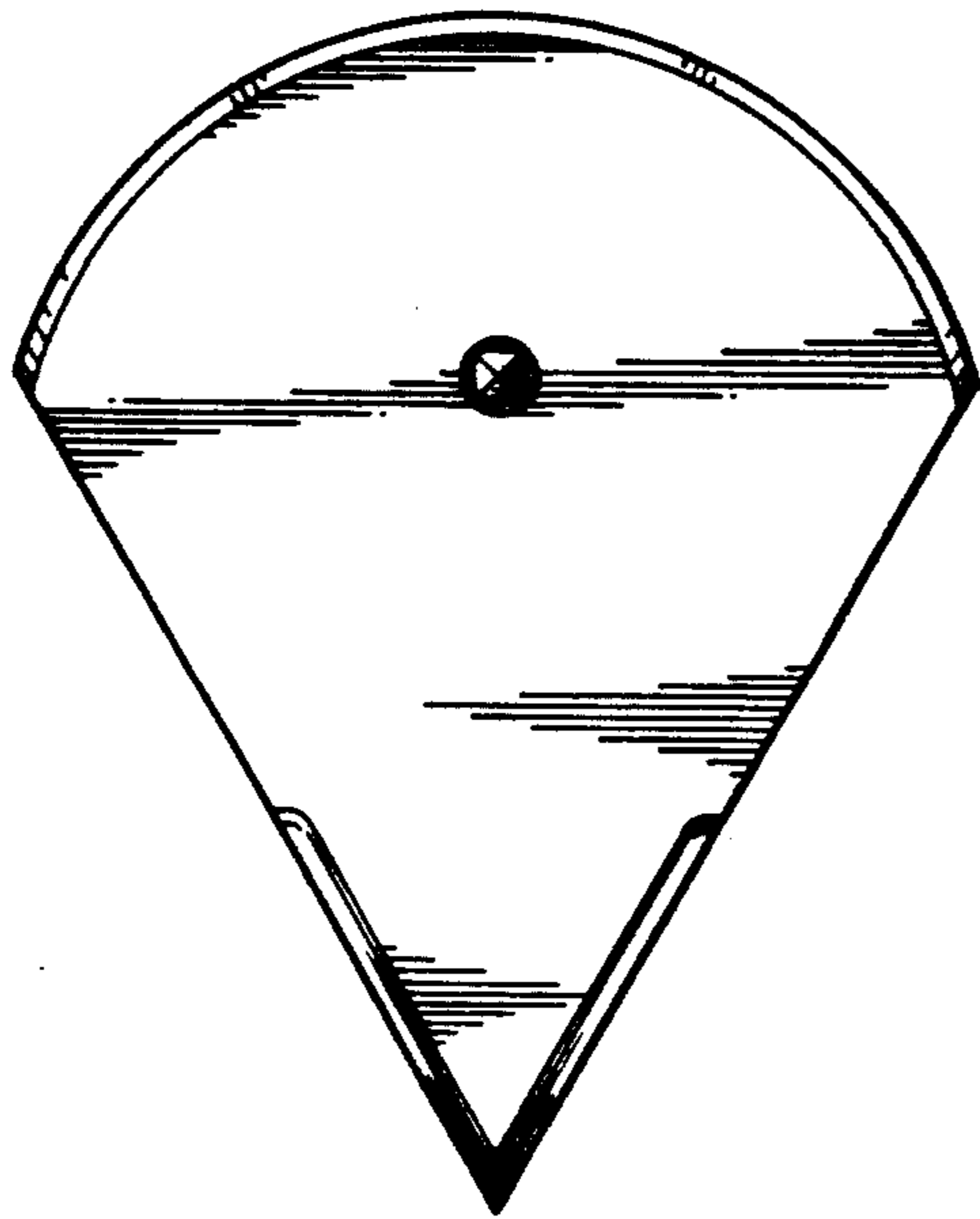


FIG. 3

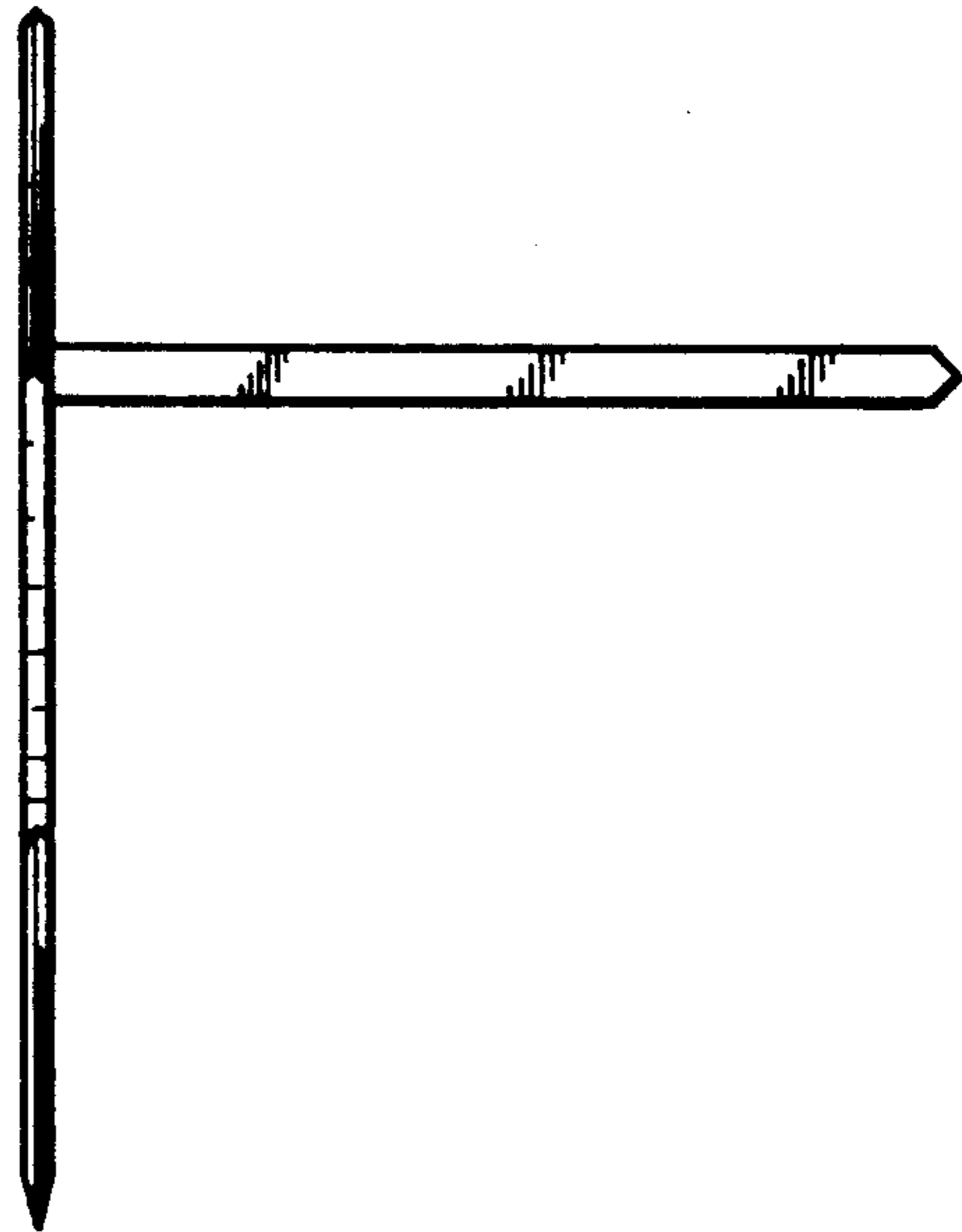


FIG. 5

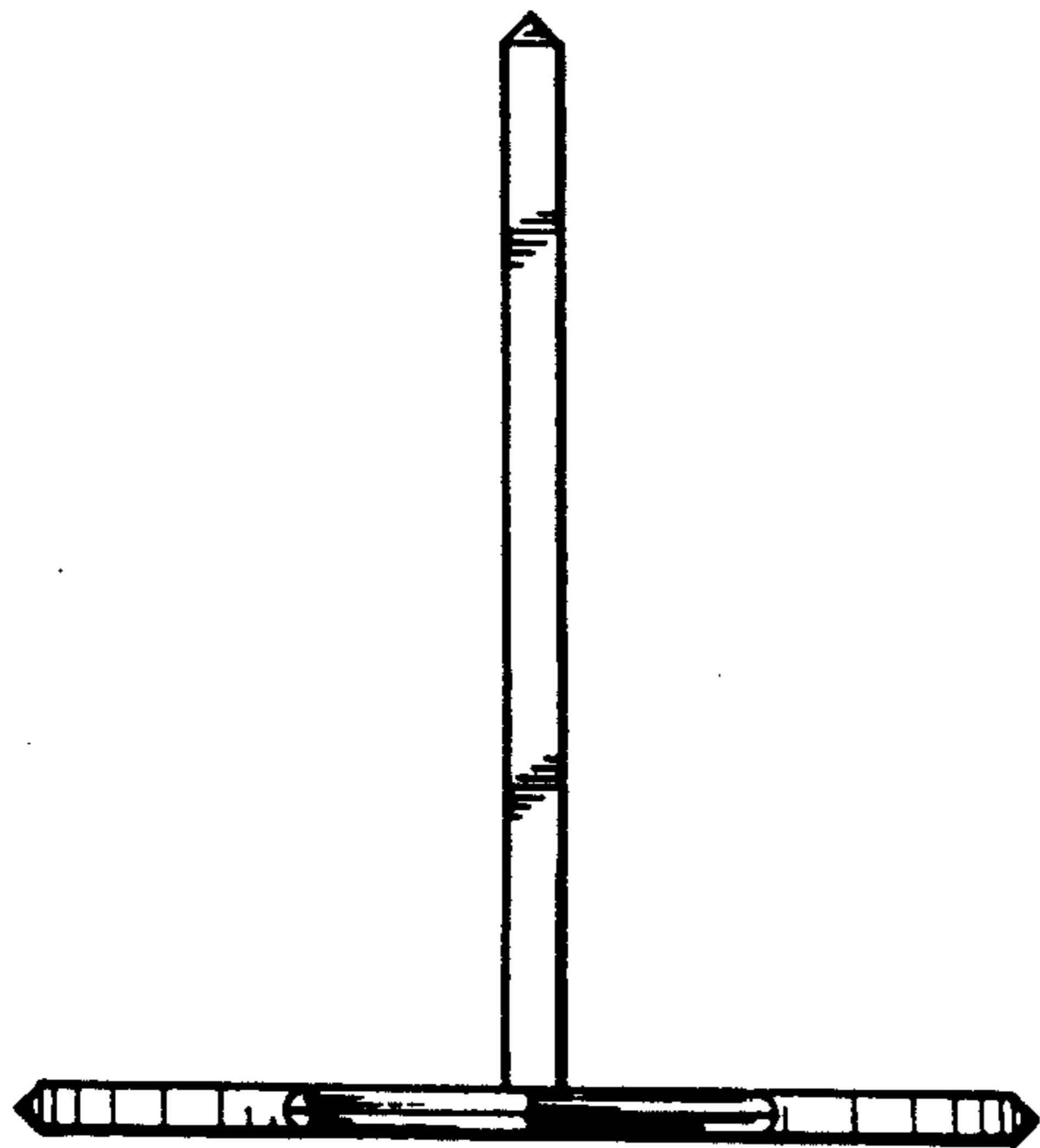


FIG. 4

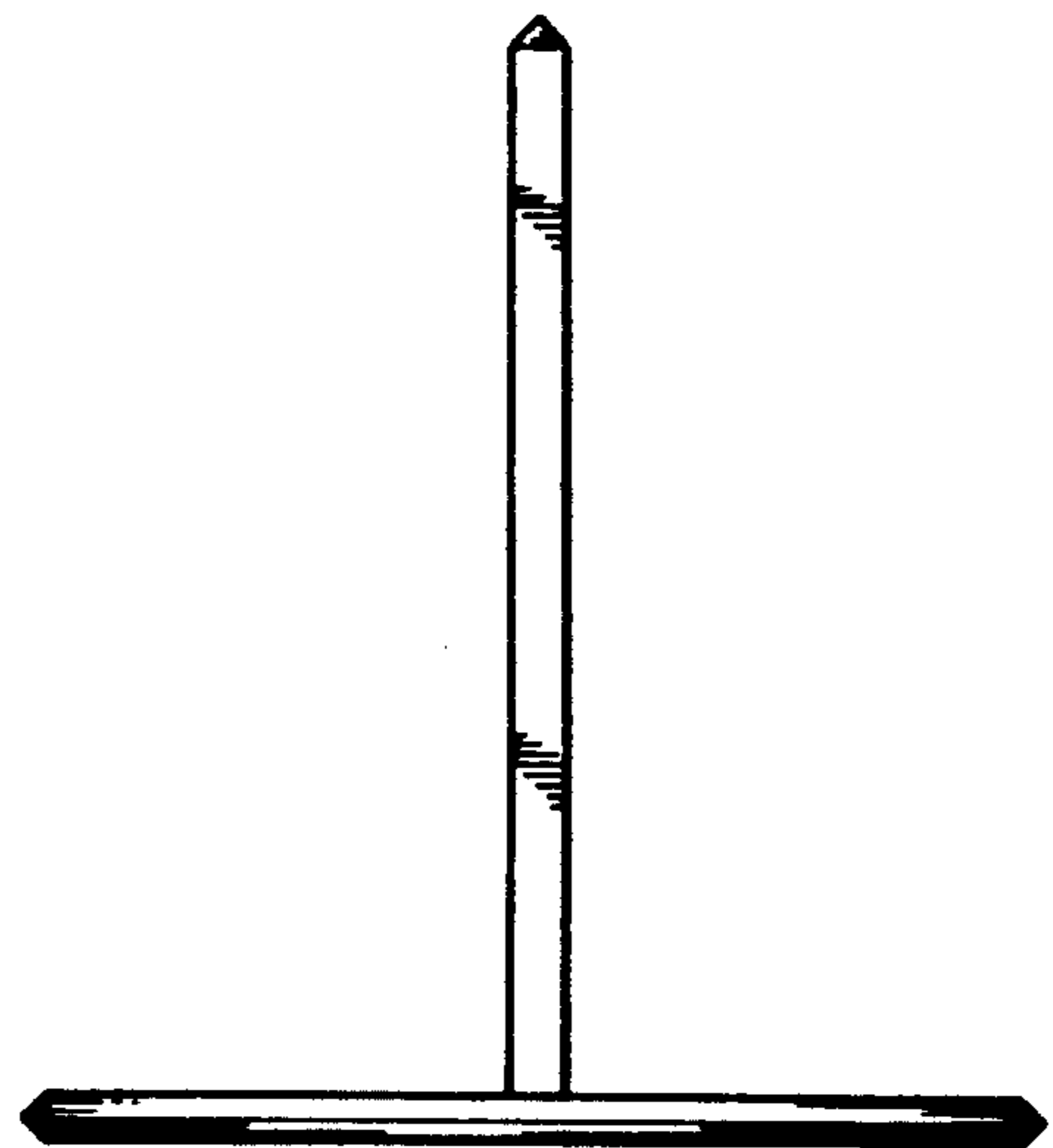


FIG. 6