



US00D344215S

# United States Patent [19]

[11] Patent Number: **Des. 344,215**

**Jorgensen**

[45] Date of Patent: **\*\* Feb. 15, 1994**

[54] **CONDIMENT MILL**

[75] Inventor: **Carsten Jorgensen, Kriens, Switzerland**

[73] Assignee: **PI-Design AG, Triengen, Switzerland**

[\*\*] Term: **14 Years**

[21] Appl. No.: **851,361**

[22] Filed: **Mar. 16, 1992**

[30] **Foreign Application Priority Data**

Sep. 16, 1991 [DK] Denmark ..... 940/91

[52] U.S. Cl. .... **D7/679**

[58] Field of Search ..... **D7/372-373, D7/590-597, 679; 222/142.1-142.9; 241/168, 169.1**

[56] **References Cited  
PUBLICATIONS**

Mr. Dudley Catalog, p. 9 Pepper Mills, Model 88-W.

*Primary Examiner*—Terry A. Wallace  
*Attorney, Agent, or Firm*—J. W. Gipple

[57] **CLAIM**

The ornamental design for a condiment mill, as shown and described.

**DESCRIPTION**

FIG. 1 is a top, side perspective view of the condiment mill showing my new design;

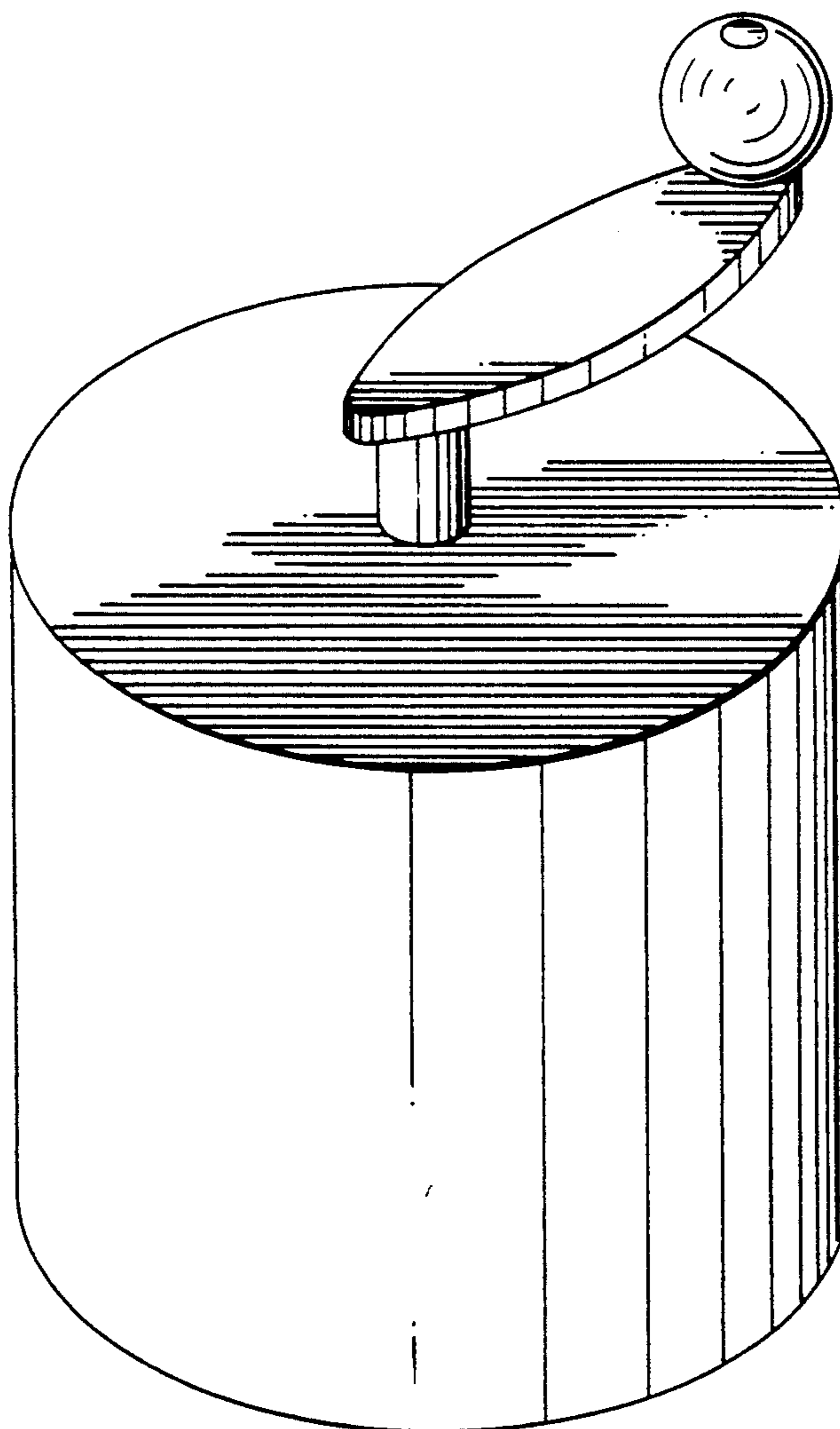
FIG. 2 is a front elevational view thereof;

FIG. 3 is a side elevational view thereof;

FIG. 4 is a bottom plan view thereof;

FIG. 5 is a top plan view thereof; and,

FIG. 6 is a rear elevational view thereof.



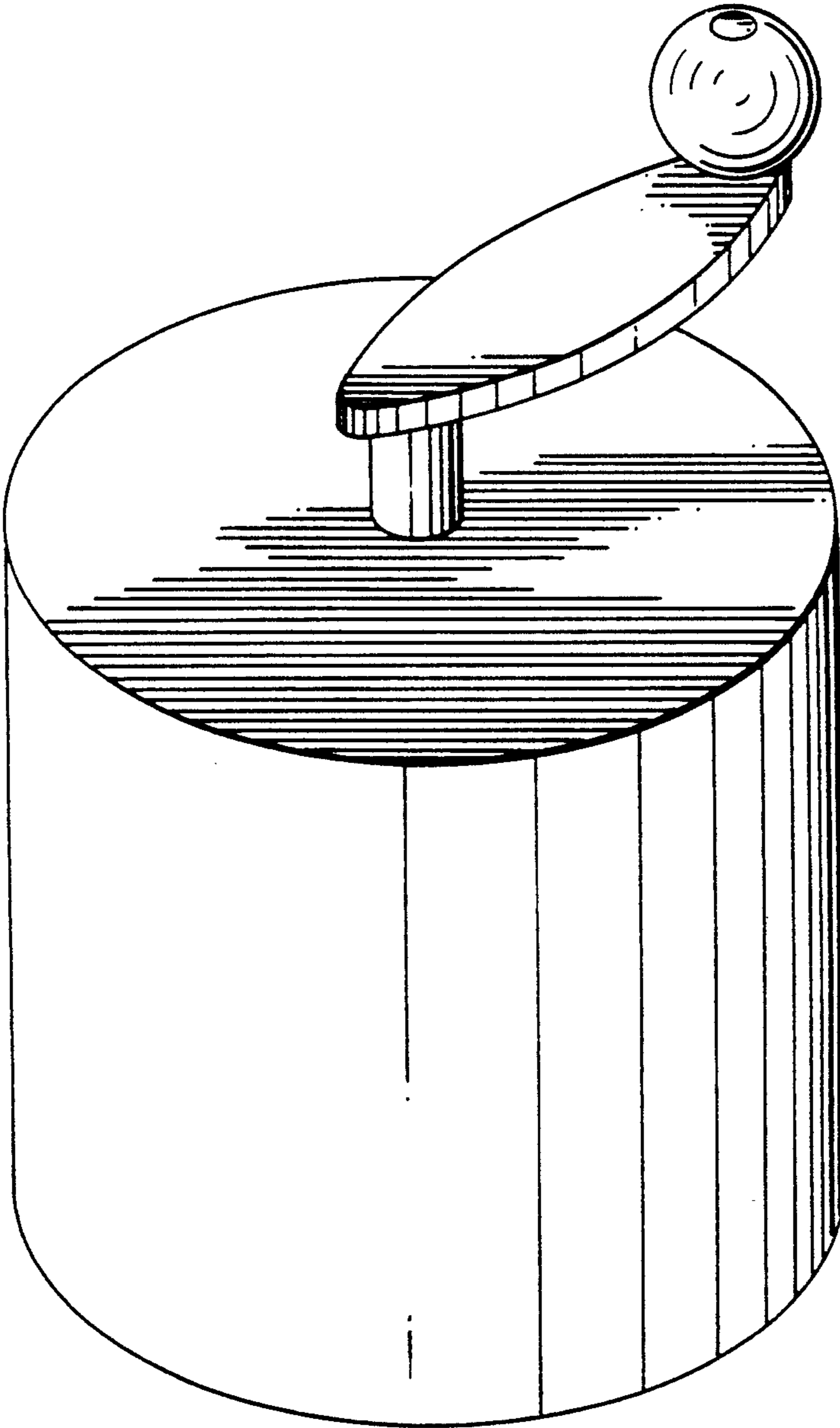


FIG. 1

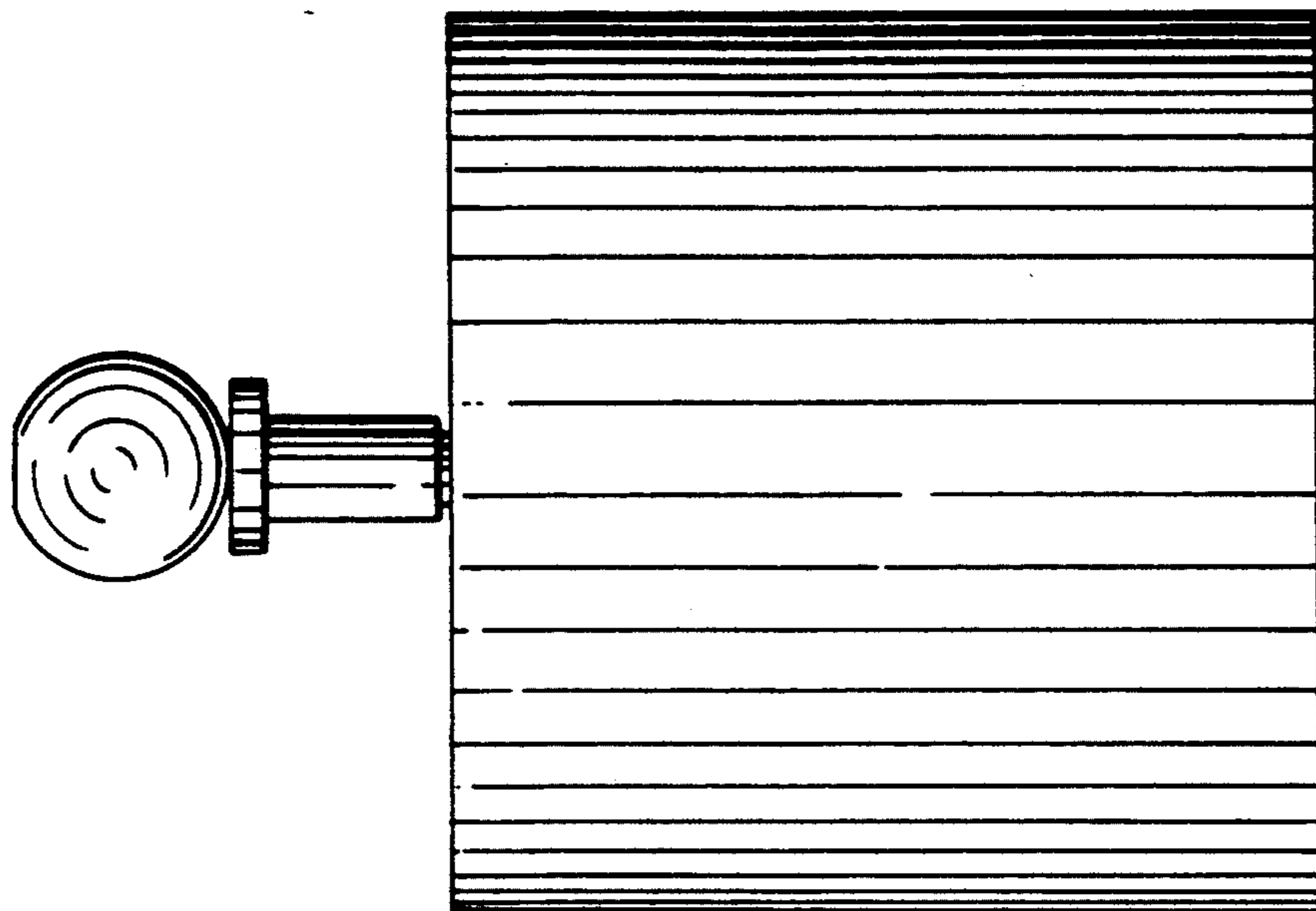


FIG. 3

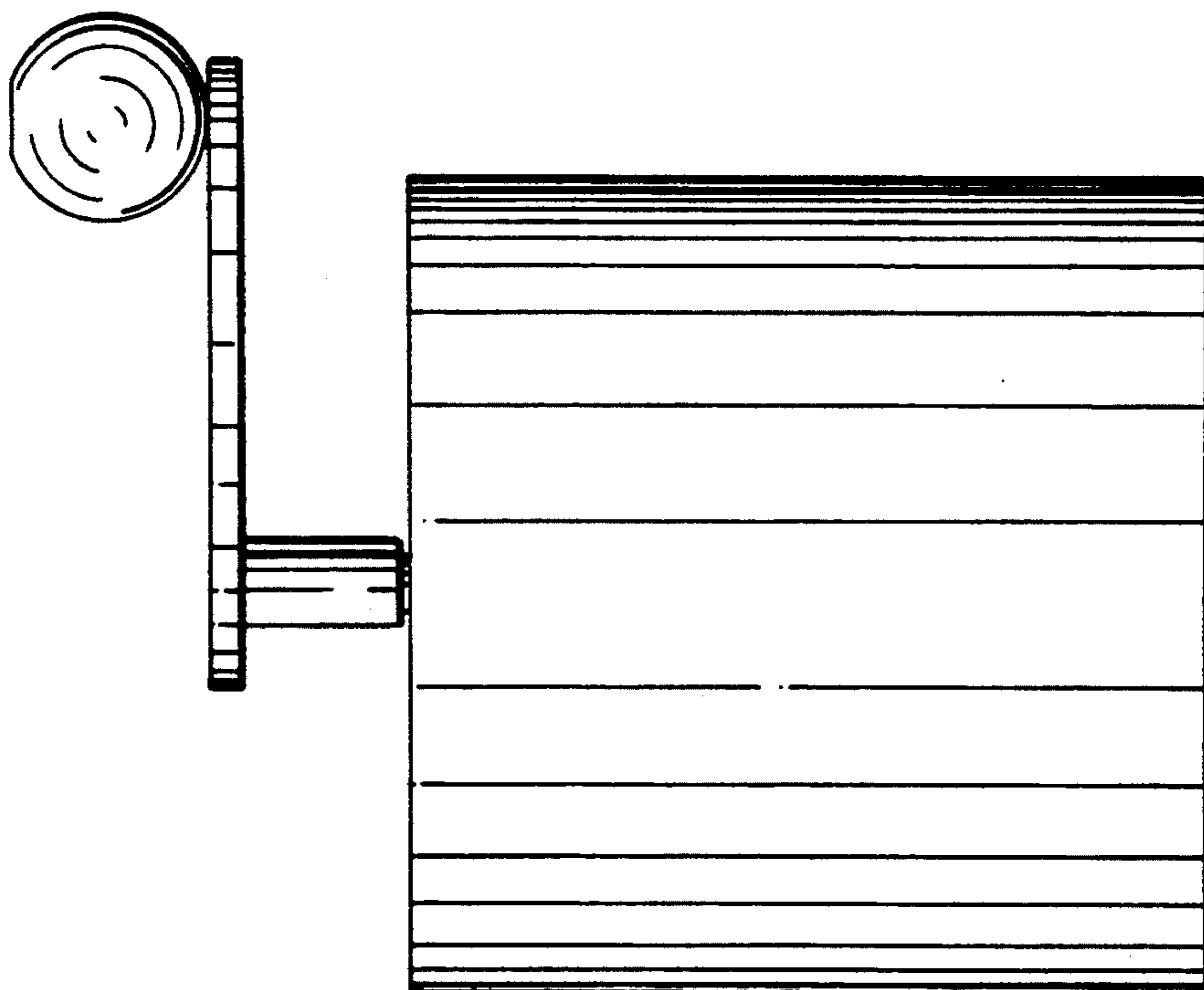


FIG. 2

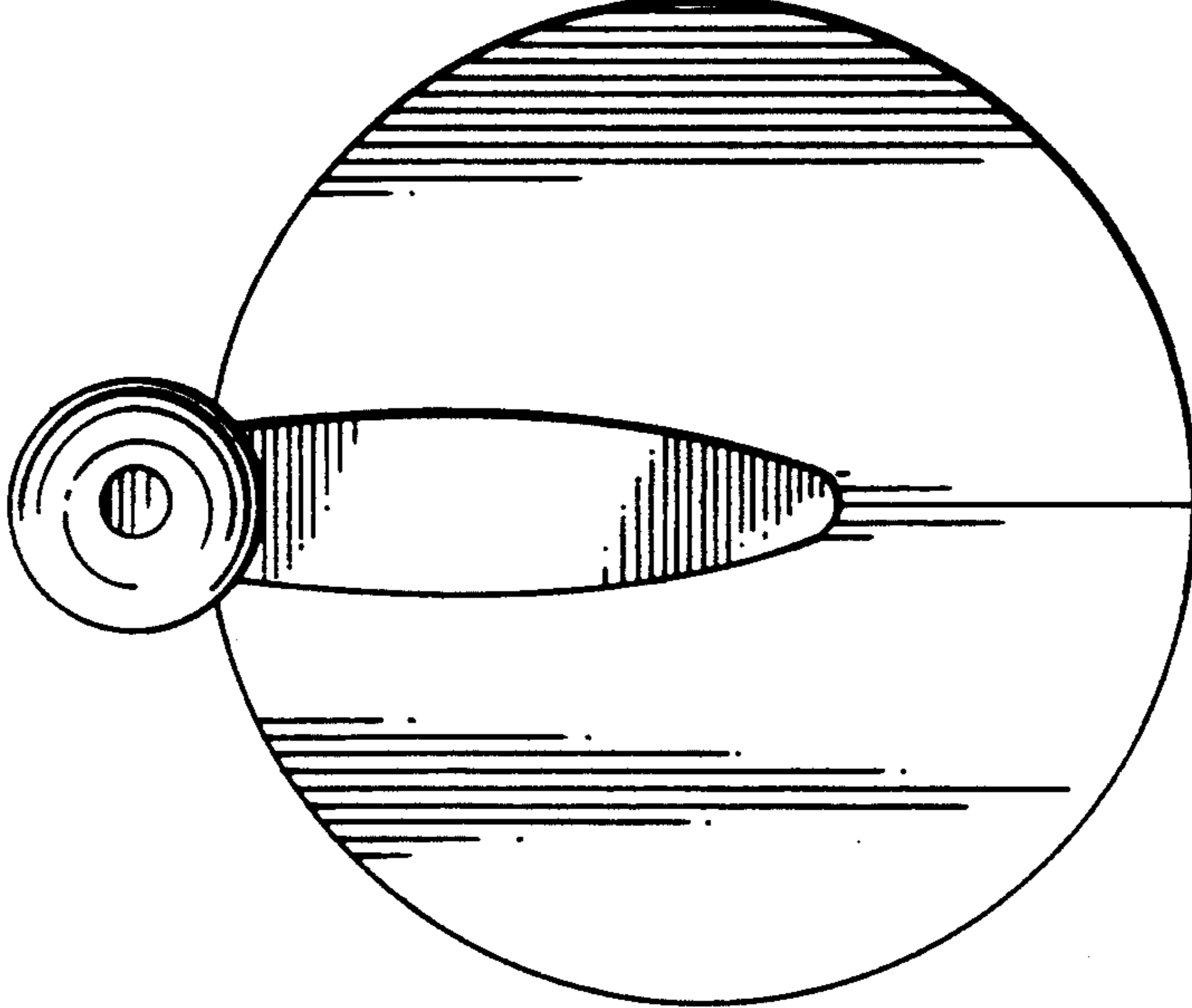


FIG. 5

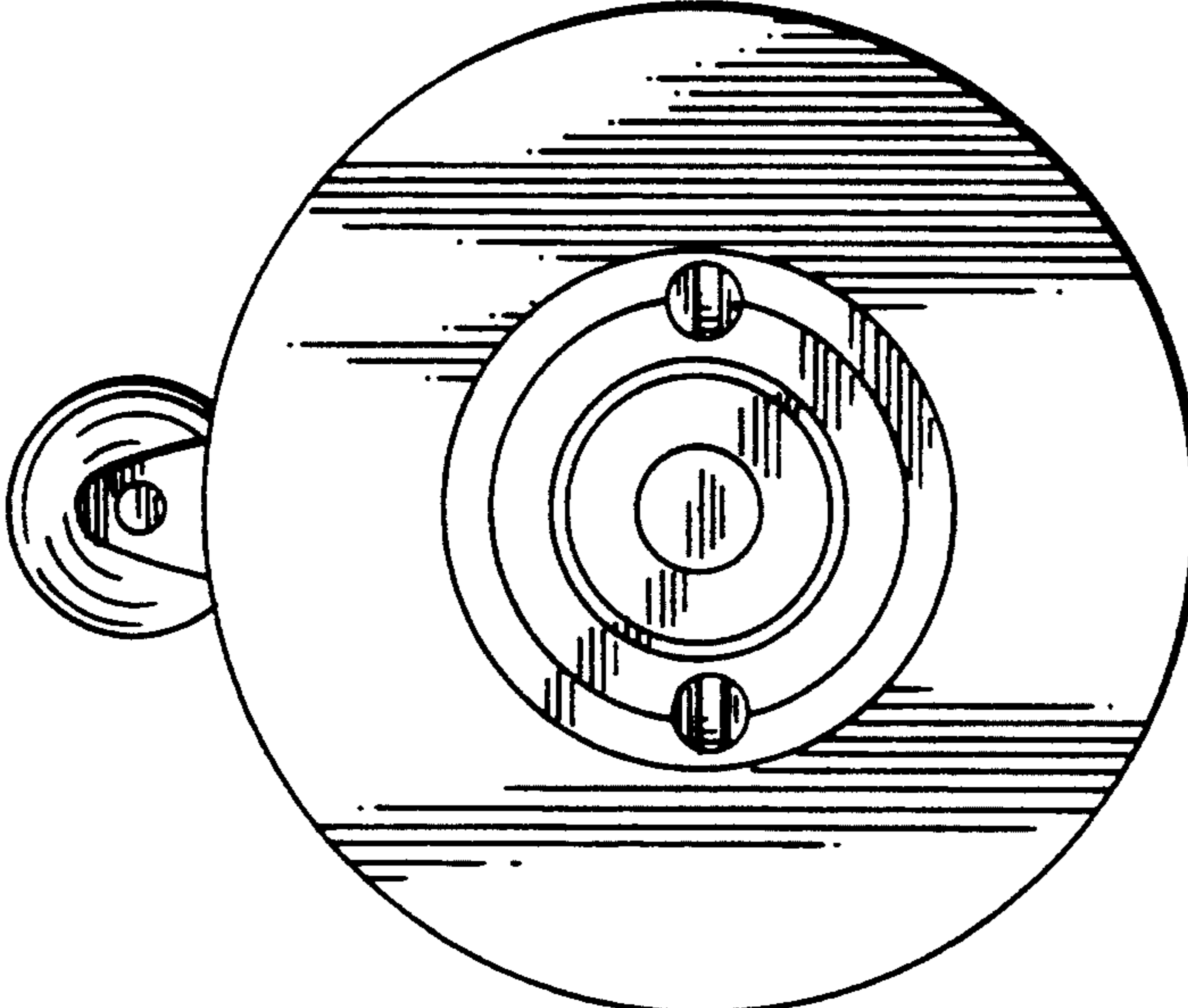
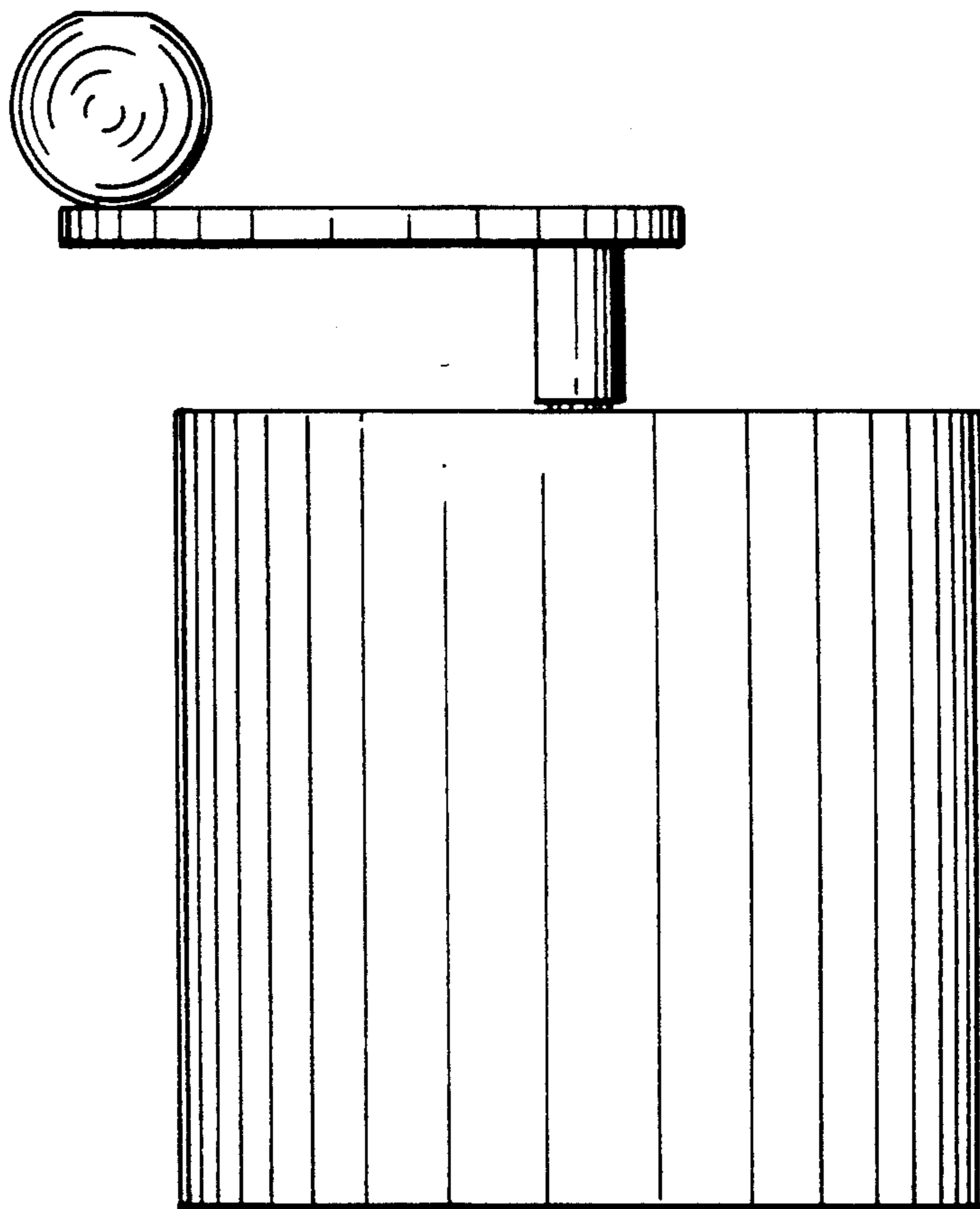


FIG. 4



**FIG. 6**