



US00D344214S

# United States Patent [19]

[11] Patent Number: **Des. 344,214**

**Jorgensen**

[45] Date of Patent: **\*\* Feb. 15, 1994**

[54] **CONDIMENT MILL**

[75] Inventor: **Carsten Jorgensen, Kriens, Switzerland**

[73] Assignee: **PI-Design AG, Triengen, Switzerland**

[\*\*] Term: **14 Years**

[21] Appl. No.: **851,363**

[22] Filed: **Mar. 16, 1992**

[30] **Foreign Application Priority Data**

Sep. 16, 1991 [DK]	Denmark	.....	939/91
[52]	U.S. Cl.	.....	<b>D7/679</b>
[58]	Field of Search	.....	<b>D7/372-373,</b> <b>D7/590-597, 679; 222/142.1-142.9; 241/168,</b> <b>169.1</b>

[56] **References Cited**  
**PUBLICATIONS**

Tableware International, Jun. 1974, p. 34, peppermill, round with knob on top.

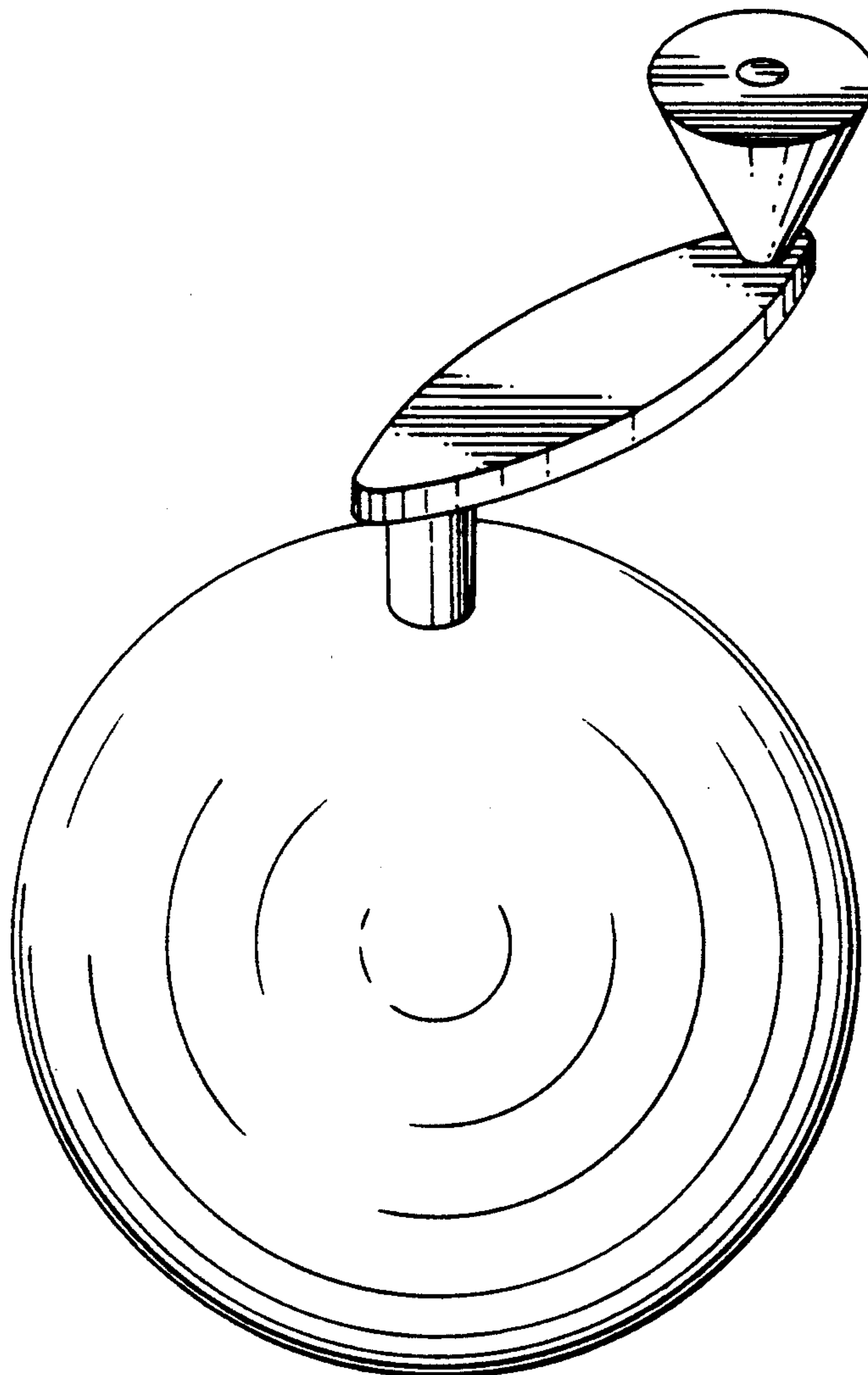
*Primary Examiner*—Terry A. Wallace  
*Attorney, Agent, or Firm*—J. W. Gipple

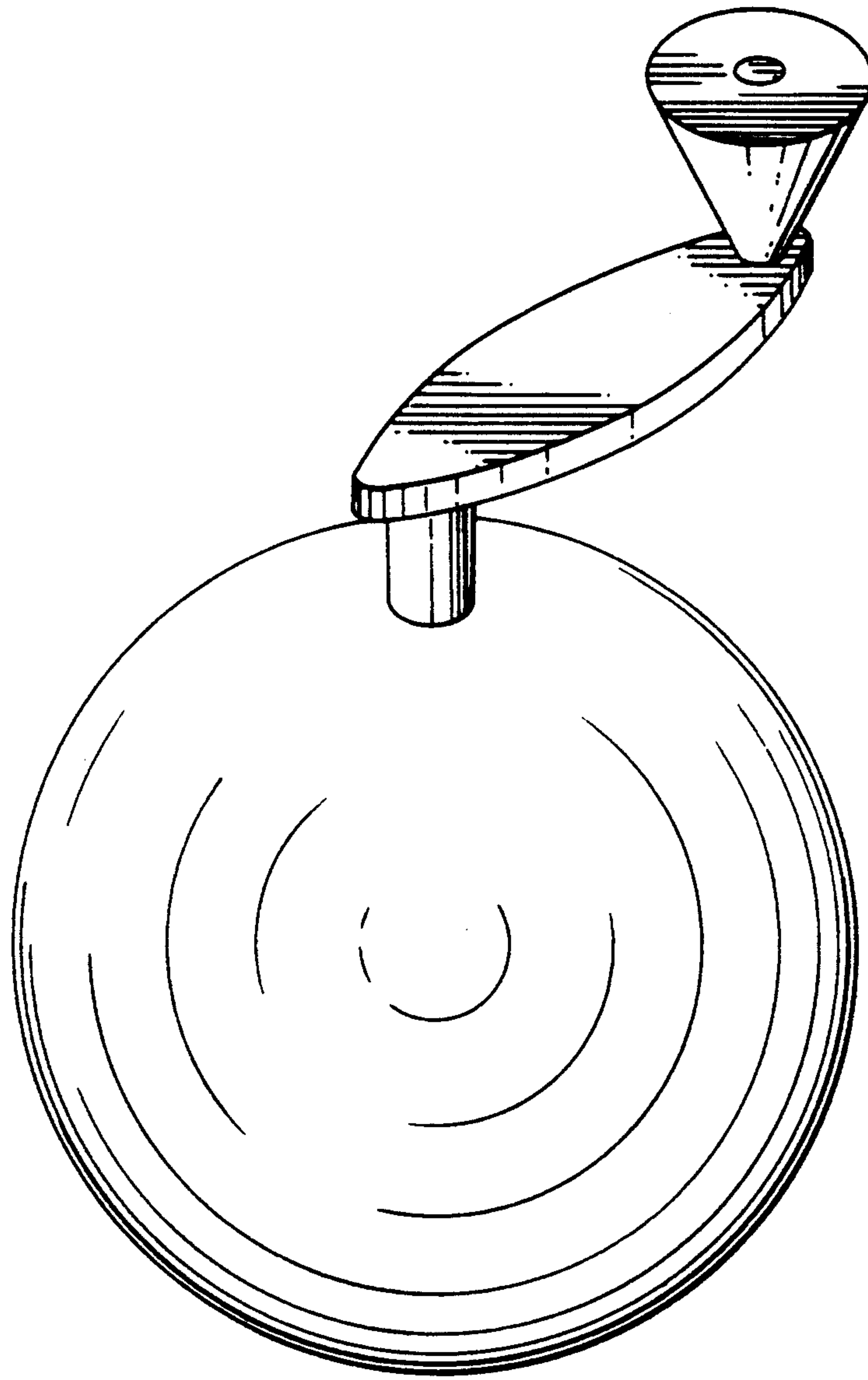
[57] **CLAIM**

The ornamental design for a condiment mill, as shown and described.

**DESCRIPTION**

FIG. 1 is a top, side perspective view of the condiment mill showing my new design;  
FIG. 2 is a front elevational view thereof;  
FIG. 3 is a side elevational view thereof;  
FIG. 4 is a bottom plan view thereof;  
FIG. 5 is a top plan view thereof; and,  
FIG. 6 is a rear elevational view thereof.





**FIG. 1**

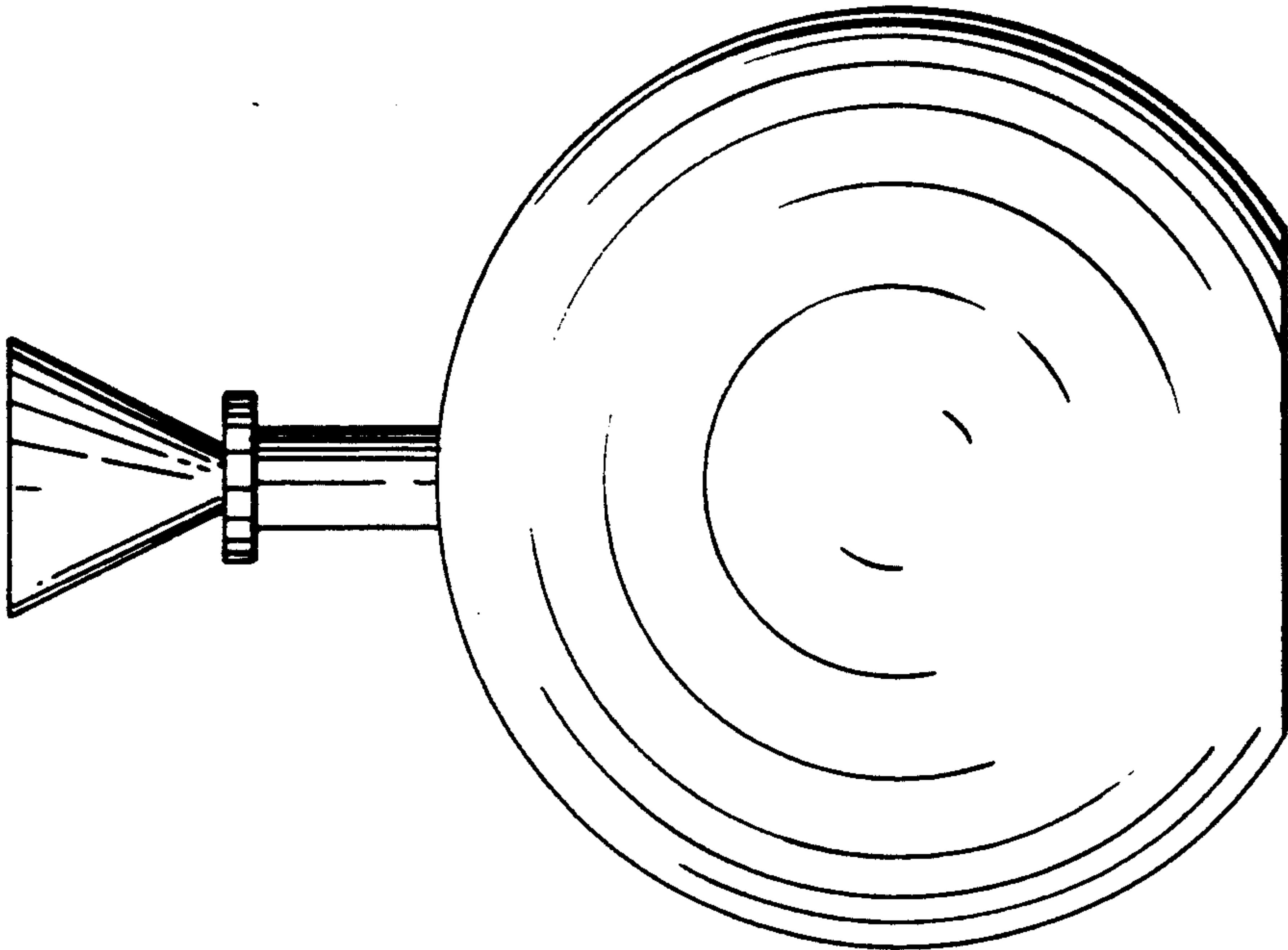


FIG. 3

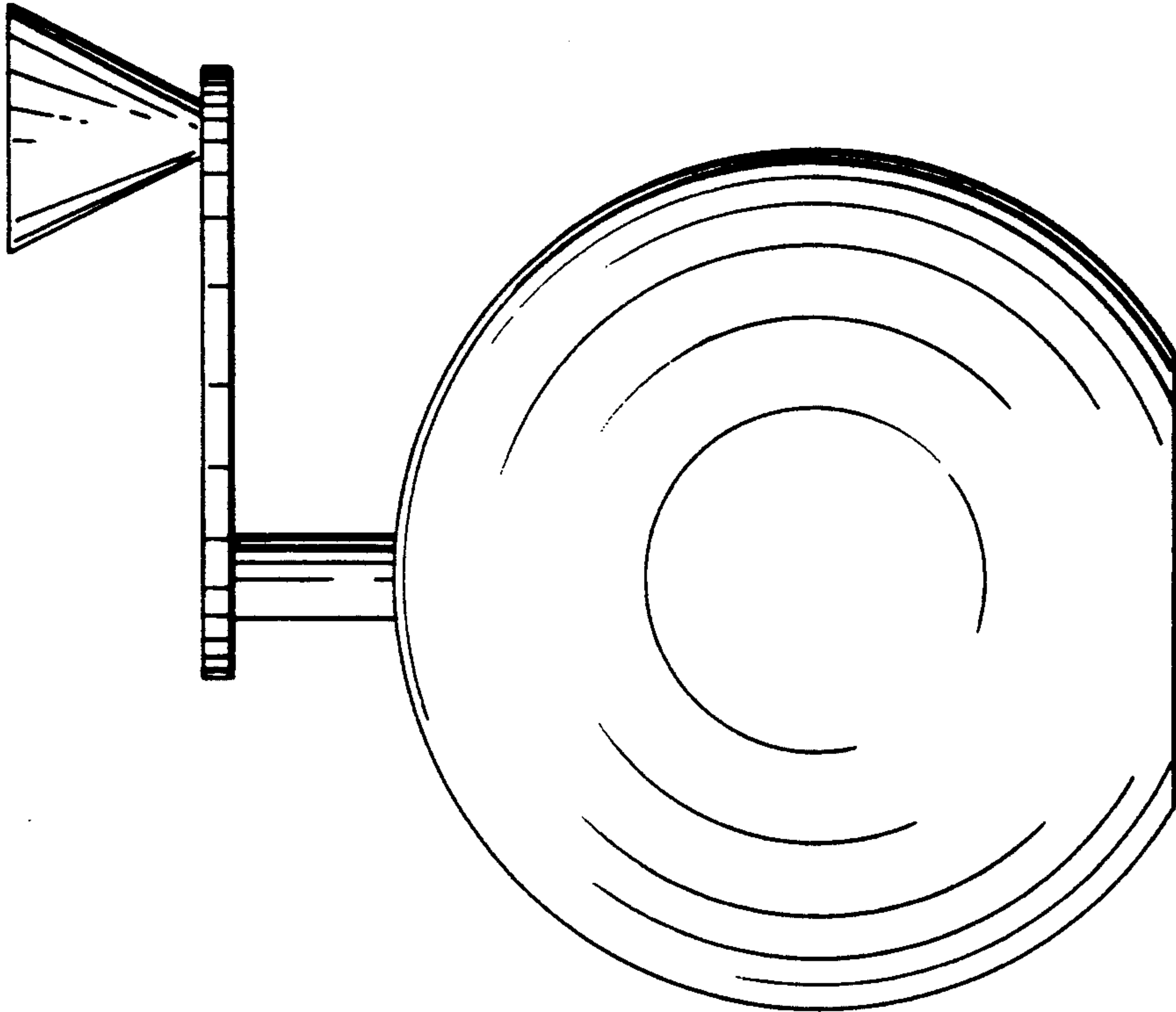


FIG. 2

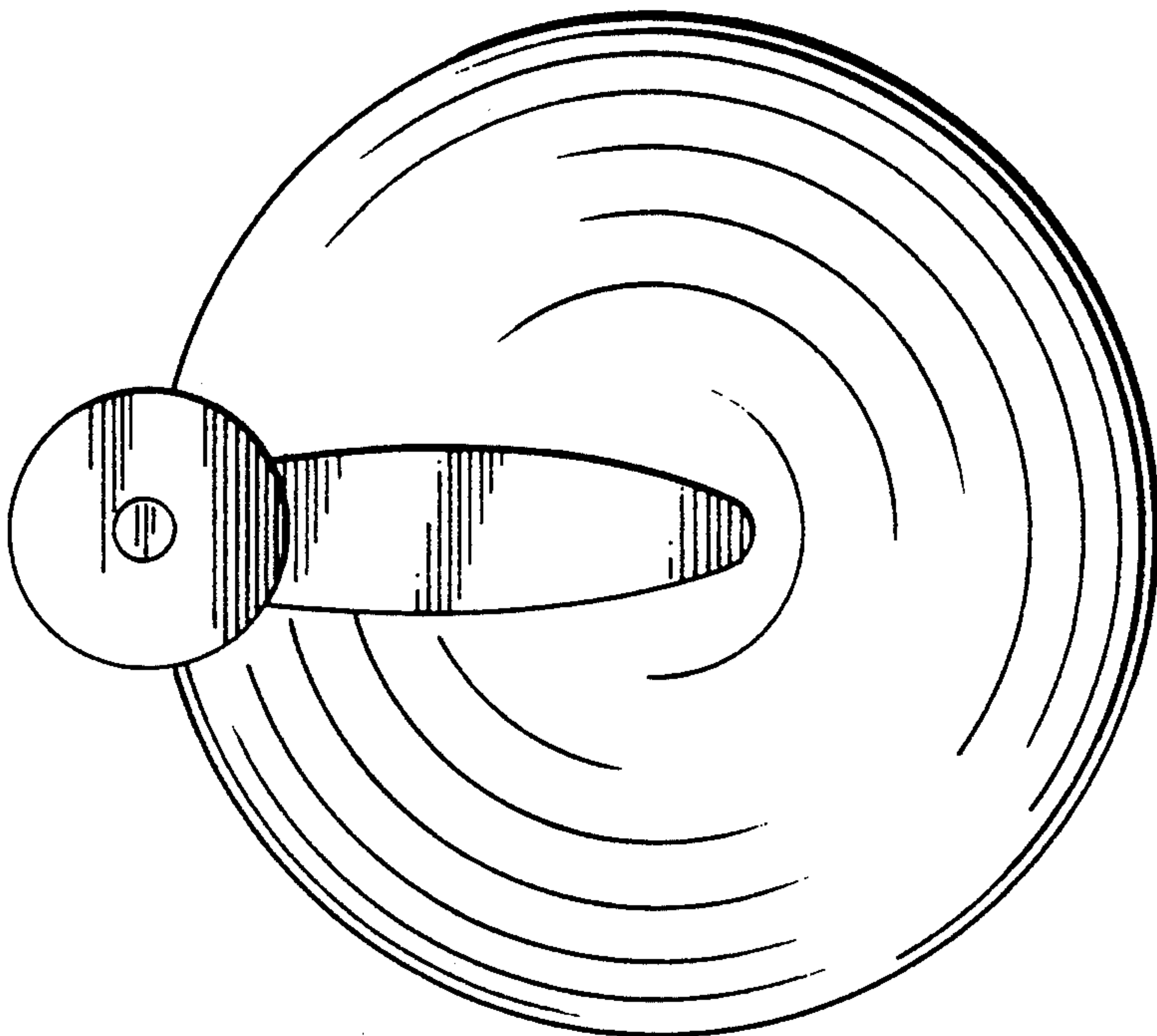


FIG. 5

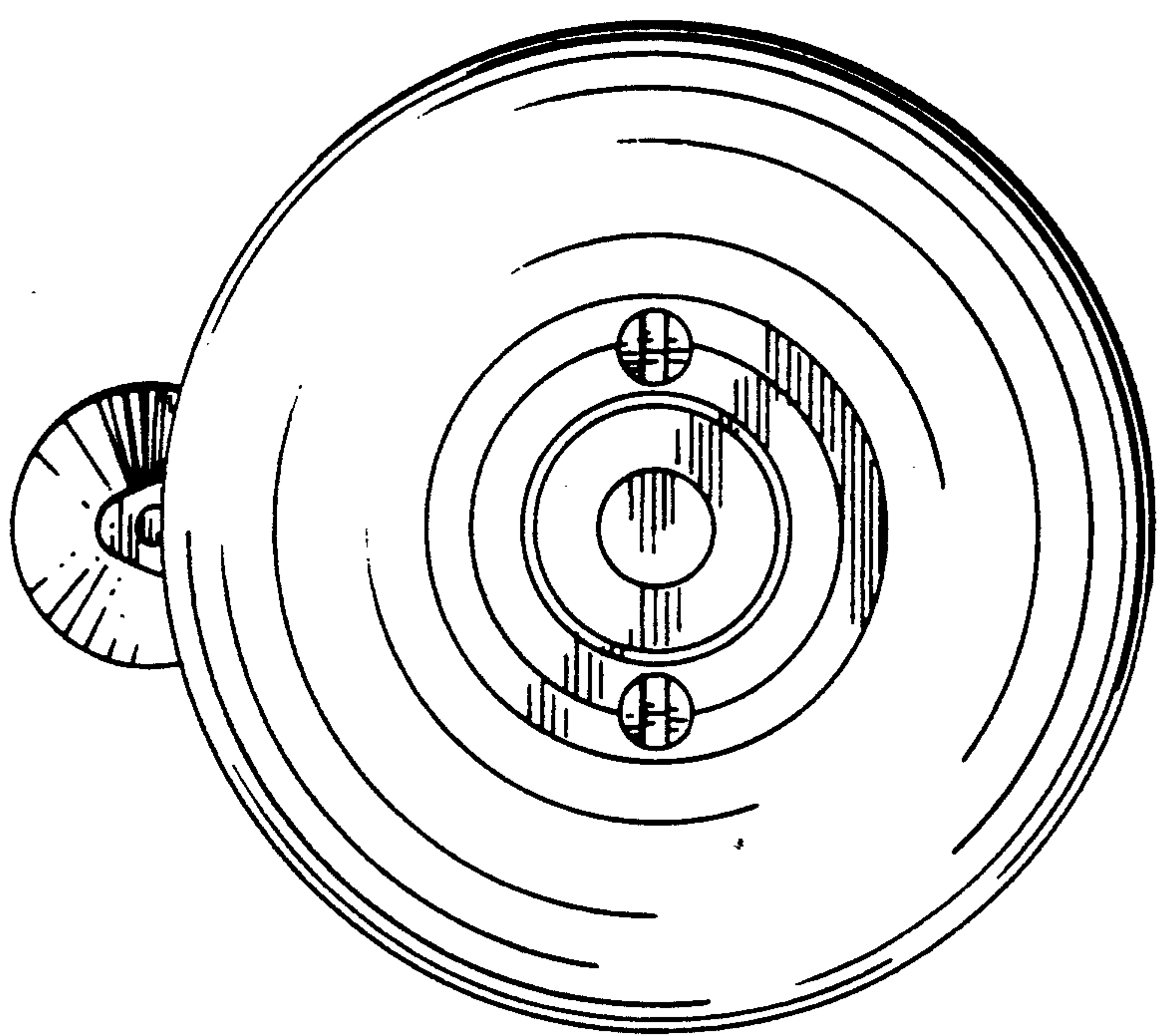
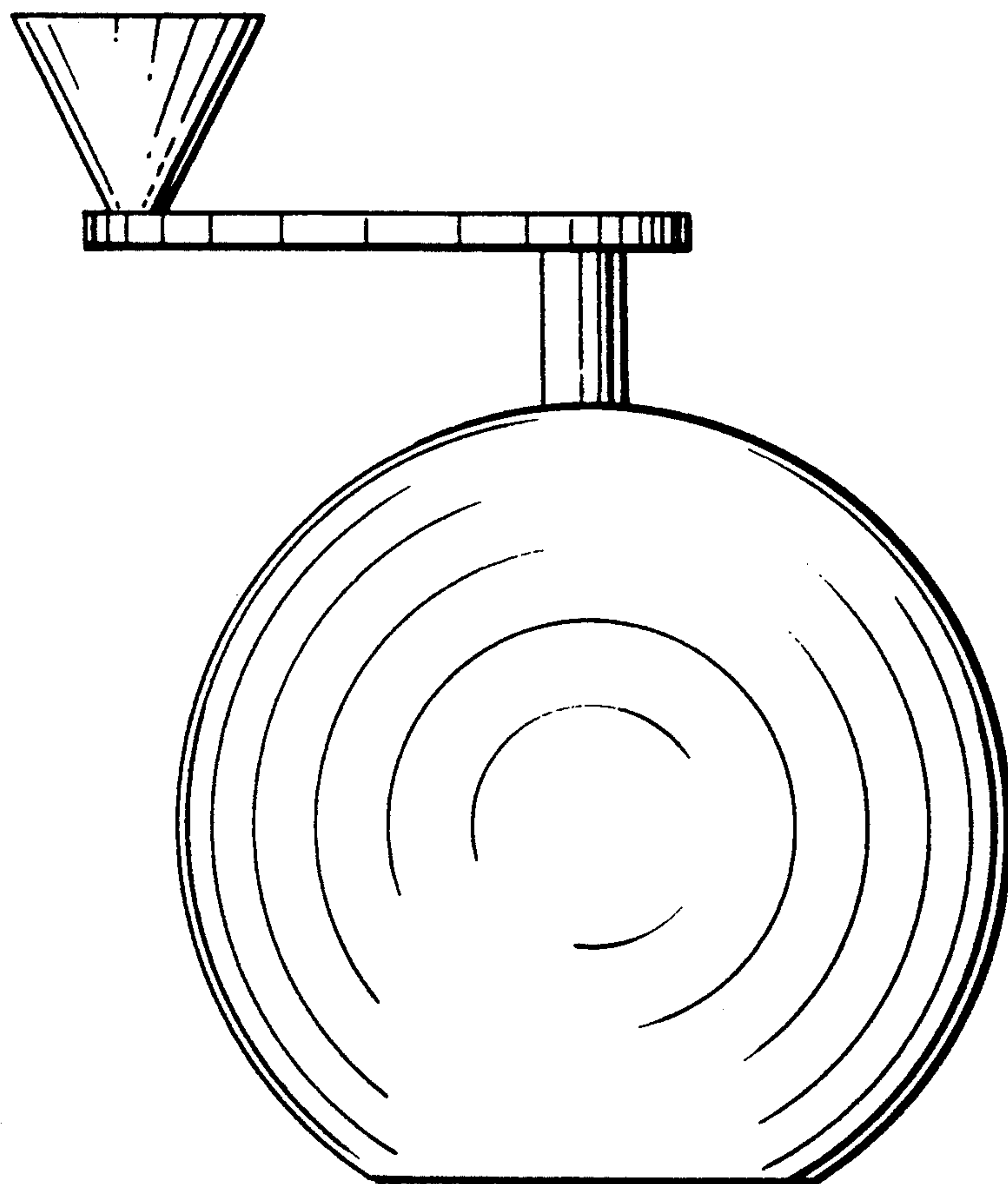


FIG. 4



**FIG. 6**