



US00D344208S

# United States Patent [19]

[11] Patent Number: **Des. 344,208**

Musseau

[45] Date of Patent: **\*\* Feb. 15, 1994**

[54] **SPIRAL KNEADER**

[75] Inventor: **Joel Musseau, Aubusson, France**

[73] Assignee: **Dito-Sama, Aubusson, France**

[\*\*] Term: **14 Years**

[21] Appl. No.: **805,925**

[22] Filed: **Dec. 12, 1991**

[30] **Foreign Application Priority Data**

Jul. 12, 1991 [FR] France ..... 914.416

[52] U.S. Cl. .... **D7/376; D7/368**

[58] Field of Search ..... **D7/376, 377, 378, 386; 366/69, 76, 77, 91, 92, 94-98, 194, 197, 200, 201, 219-222, 224, 279, 289; 99/452, 466**

[56] **References Cited**

**U.S. PATENT DOCUMENTS**

2,032,571 3/1936 Gilbert et al. .... 366/201

3,749,373	7/1973	Kemper .....	366/76
3,875,423	4/1975	Kemper .....	366/94 X
4,504,152	3/1985	Möller et al. ....	366/194 X
4,765,746	8/1988	Puig .....	366/197 X

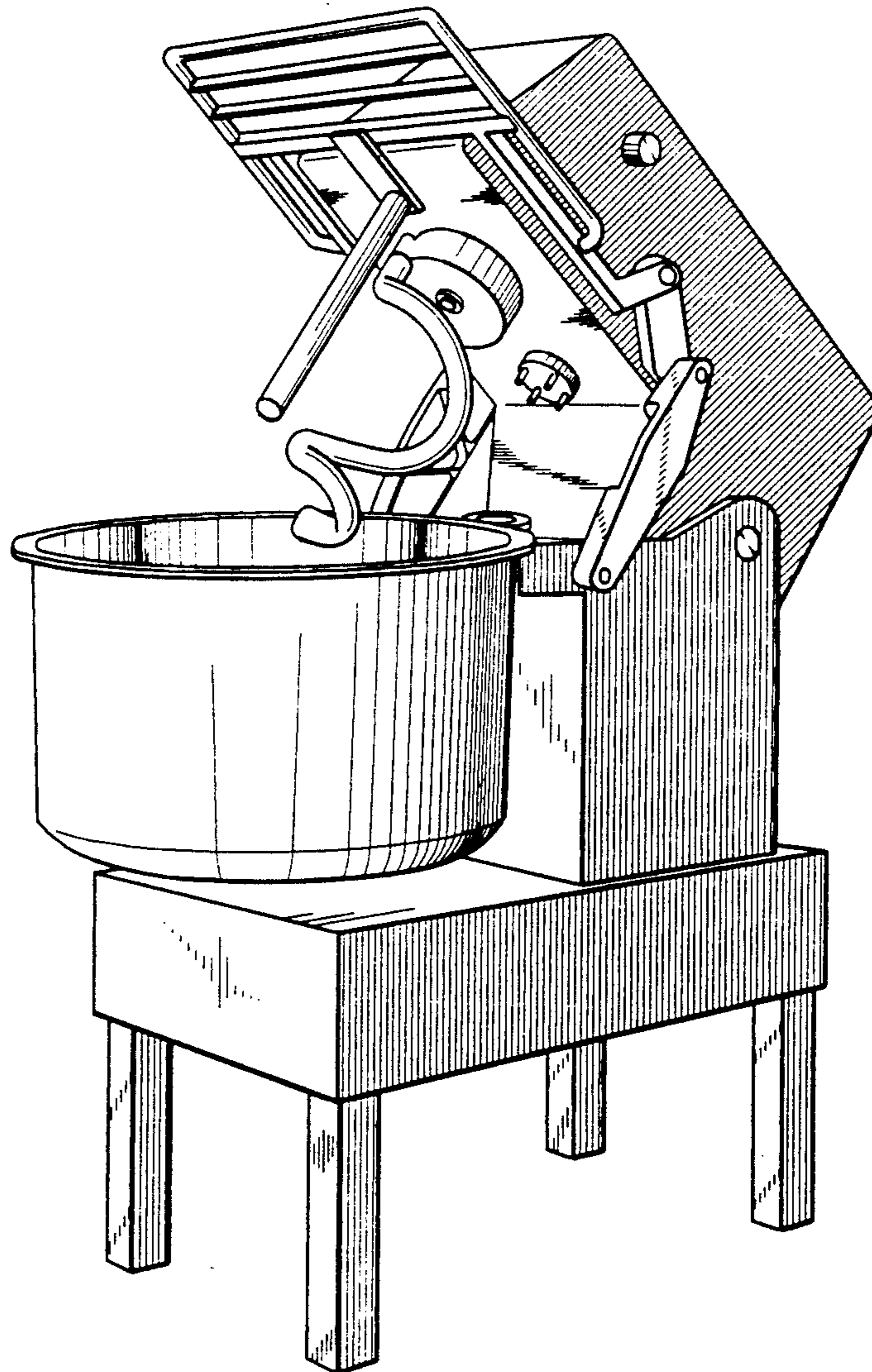
*Primary Examiner*—Nelson C. Holtje  
*Assistant Examiner*—Caron D. Veynar  
*Attorney, Agent, or Firm*—Wenderoth, Lind & Ponack

### [57] CLAIM

The ornamental design for a spiral kneader, as shown.

### DESCRIPTION

FIG. 1 is a front elevational view of a spiral kneader showing my new design;  
FIG. 2 is a left side elevational view thereof;  
FIG. 3 is a front, right side perspective view showing the spiral kneader assembly in a retracted condition;  
FIG. 4 is a rear elevational view thereof;  
FIG. 5 is a top plan view thereof; and,  
FIG. 6 is a bottom plan view thereof.



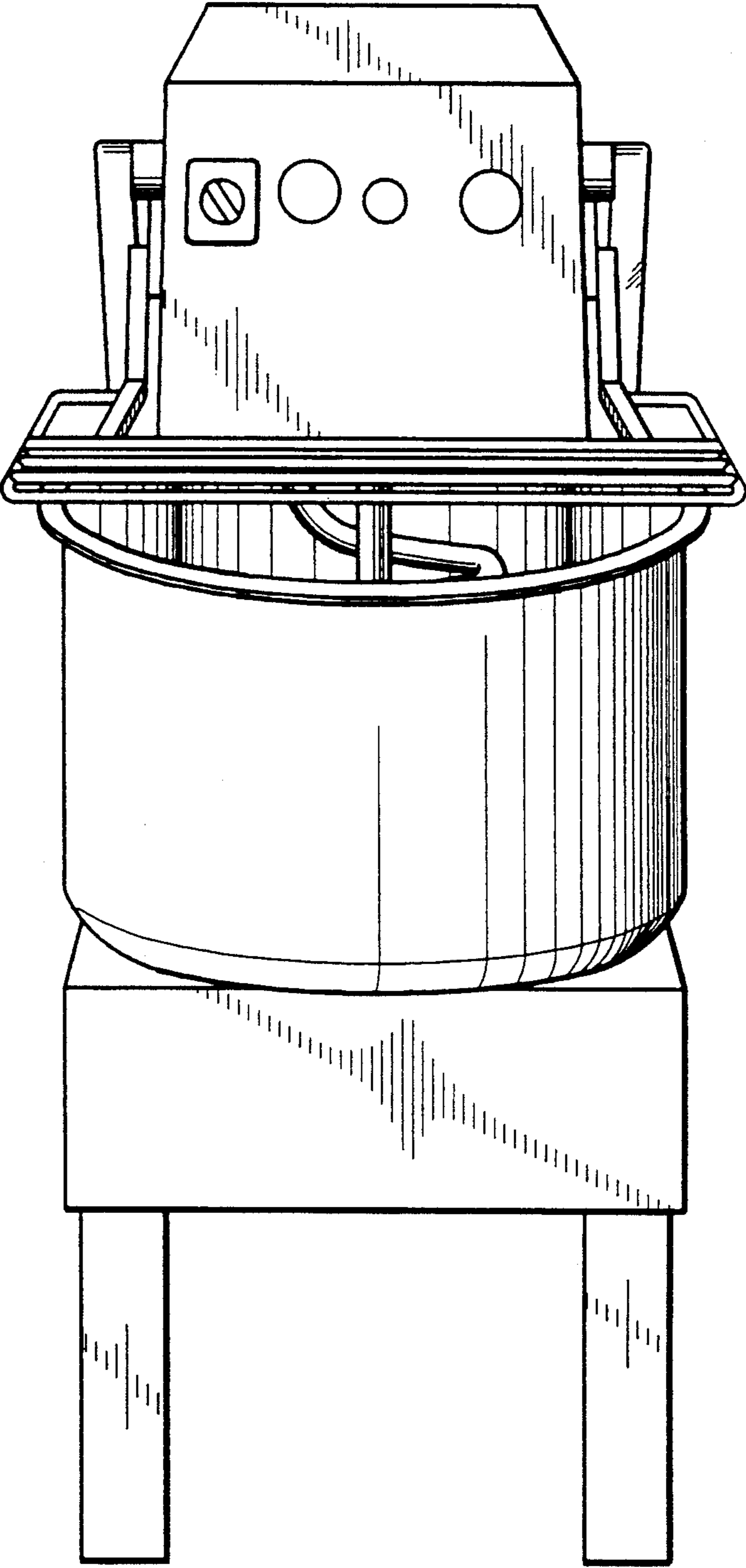


FIG.1

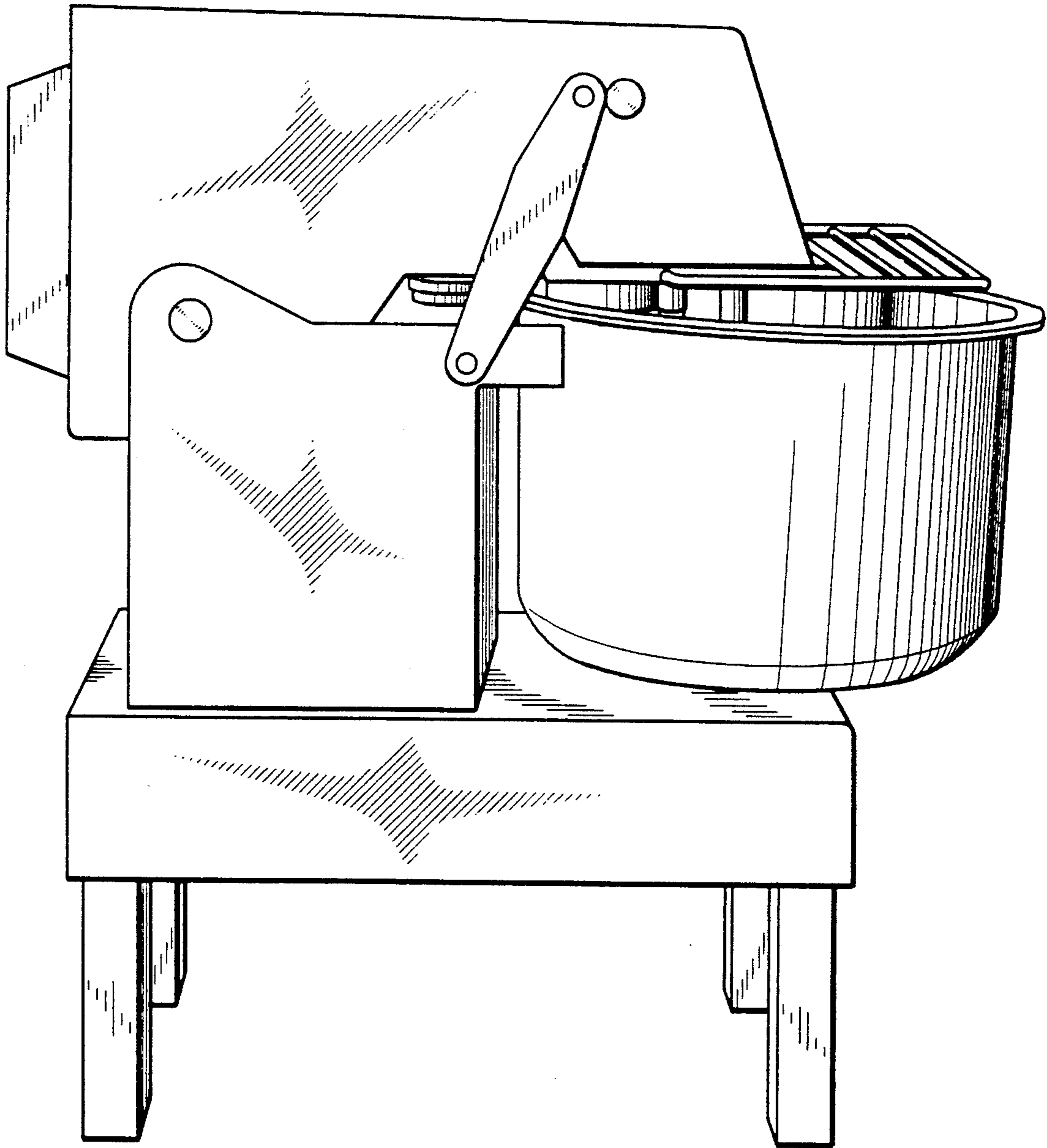


FIG.2



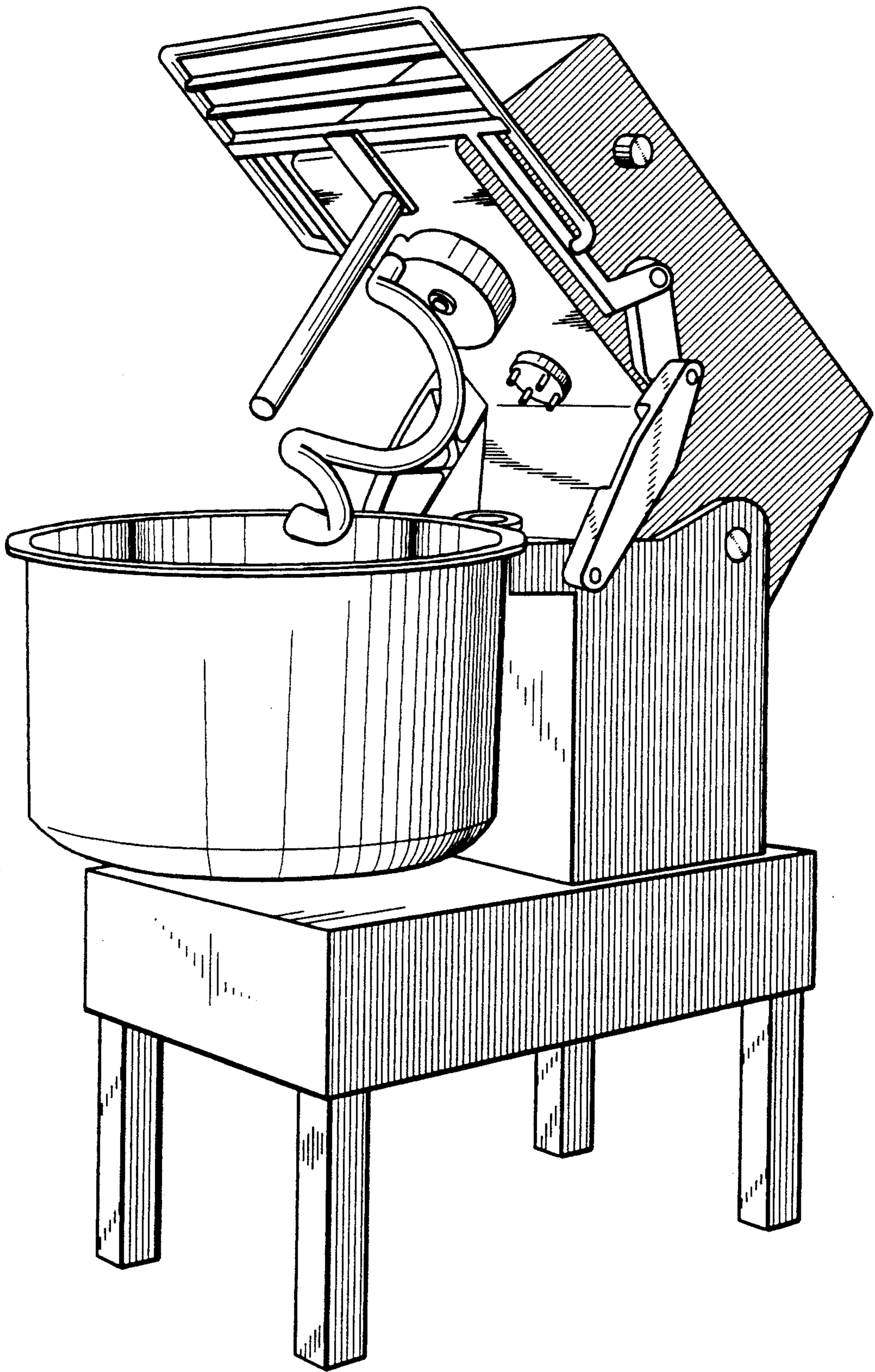


FIG.3

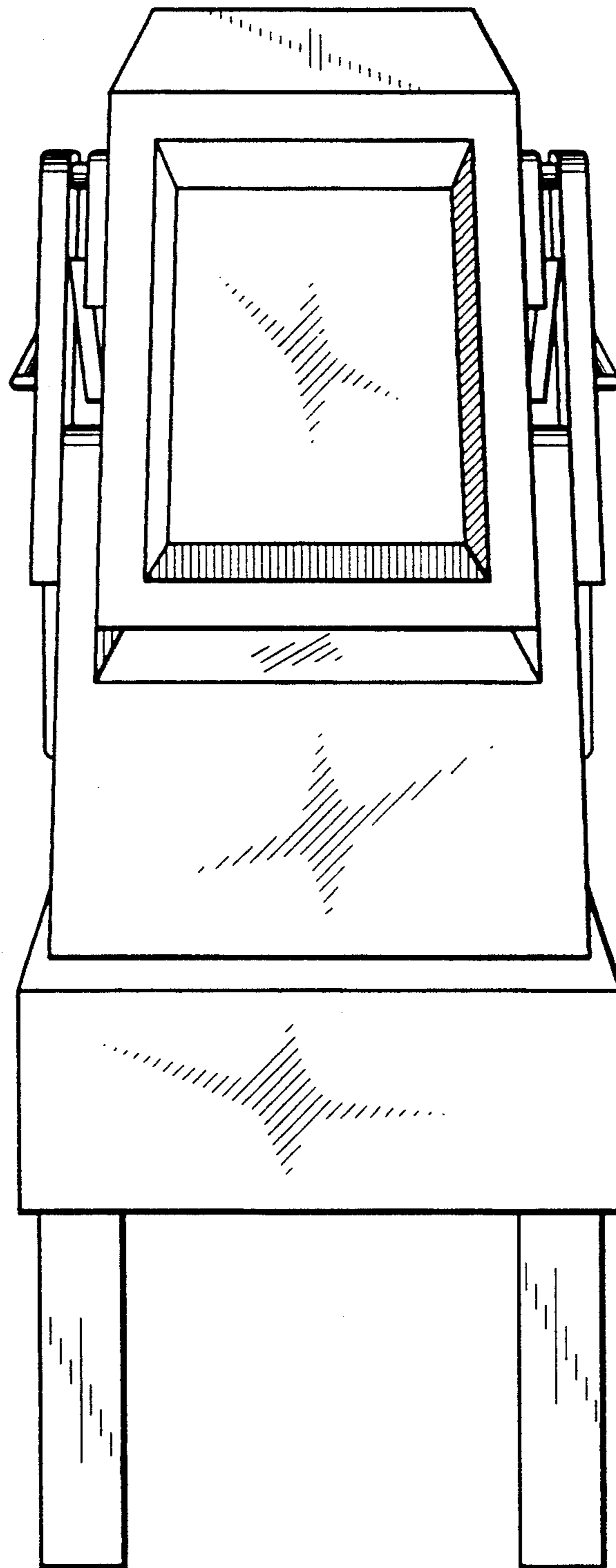


FIG. 4

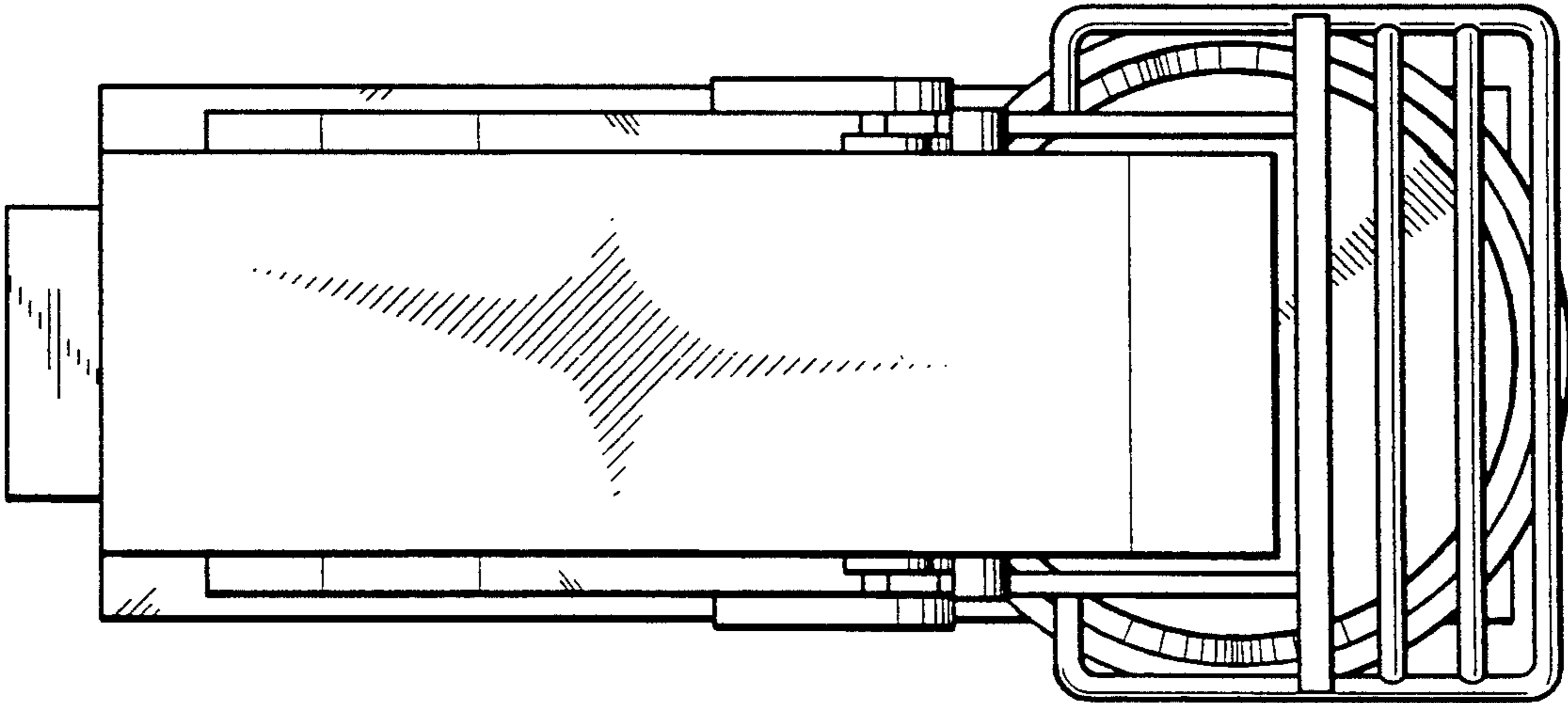


FIG.5

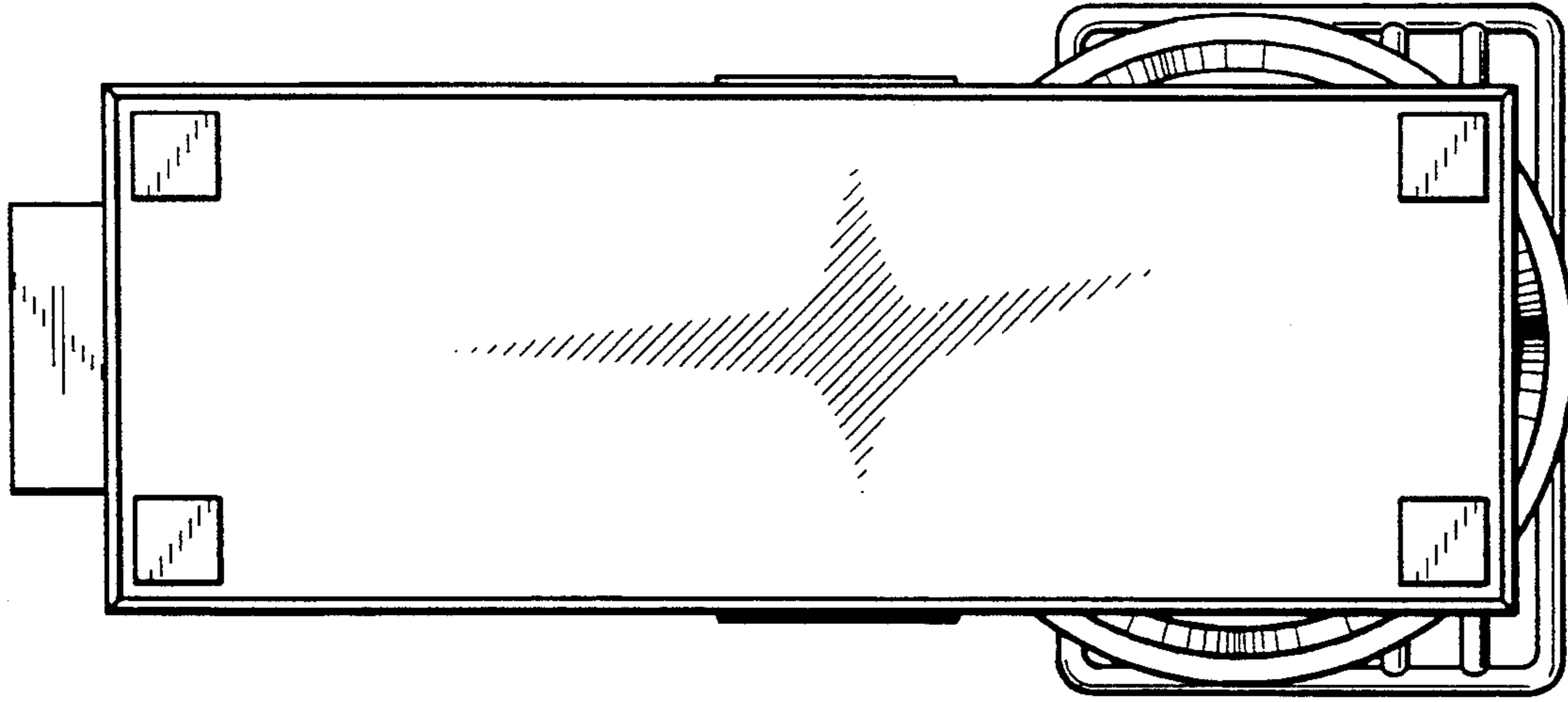


FIG.6