



US00D344207S

# United States Patent [19]

[11] Patent Number: Des. 344,207

Bauman

[45] Date of Patent: \*\* Feb. 15, 1994

[54] **CAMPFIRE COOKER**

4,607,608	8/1986	Allred et al.	126/30
4,856,423	8/1989	Burns	126/30 X
4,896,651	1/1990	Kott	126/30
4,979,490	12/1990	Nudo et al.	126/29 X

[76] Inventor: **Paul E. Bauman**, 548 Archbald St., Scranton, Pa. 18504

[\*\*] Term: **14 Years**

*Primary Examiner*—Alan P. Douglas  
*Assistant Examiner*—Caron D. Veynar  
*Attorney, Agent, or Firm*—S. Michael Bender

[21] Appl. No.: **715,215**

[22] Filed: **Jun. 14, 1991**

[52] U.S. Cl. .... **D7/336; D7/335**

[58] Field of Search ..... **D7/408, 409, 333-337; 126/9 R, 11, 25 R, 27, 29, 30, 51, 214 C, 333, 337 R, 339**

[57] **CLAIM**

The ornamental design for a campfire cooker, as shown and described.

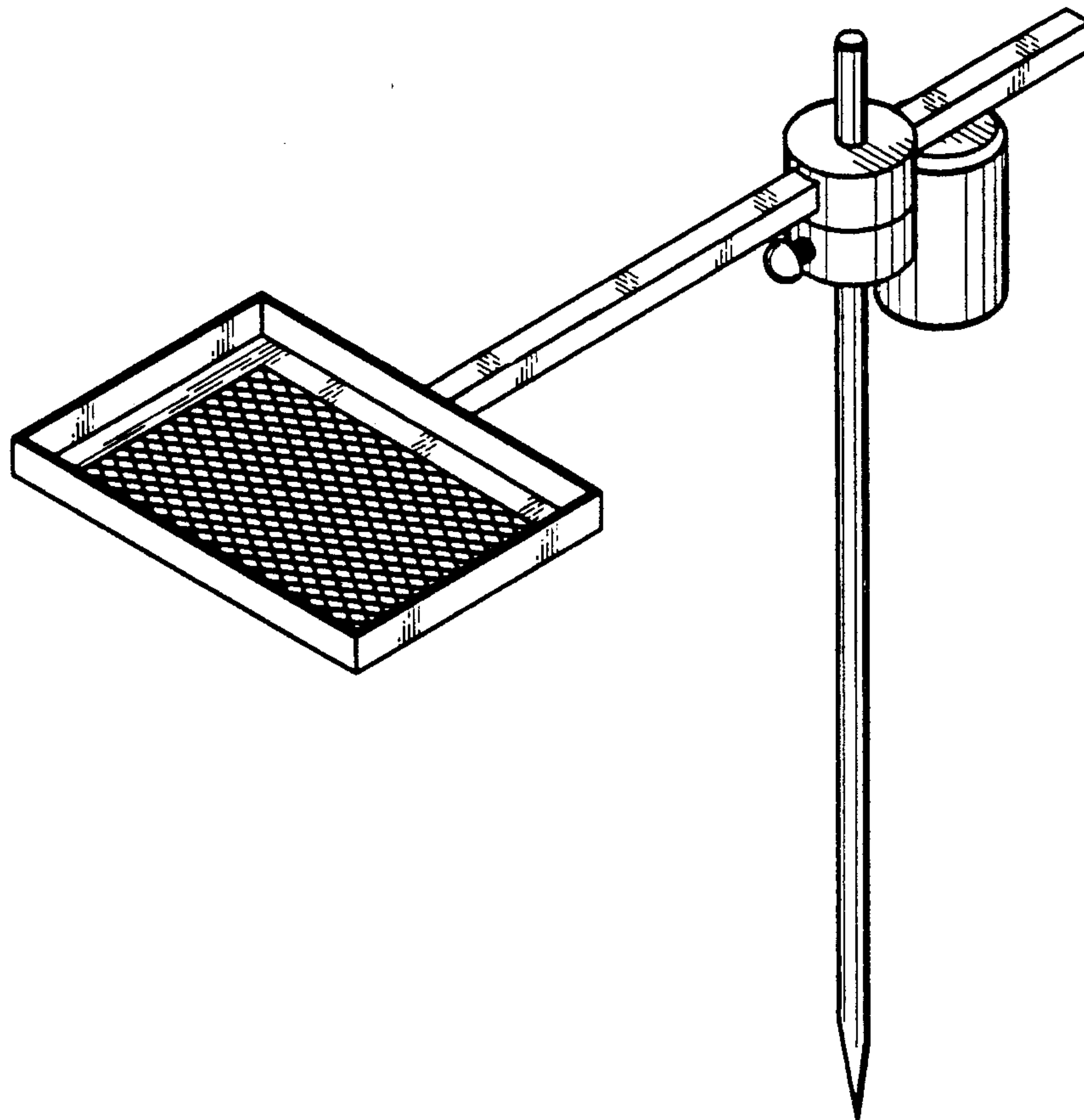
[56] **References Cited**

**U.S. PATENT DOCUMENTS**

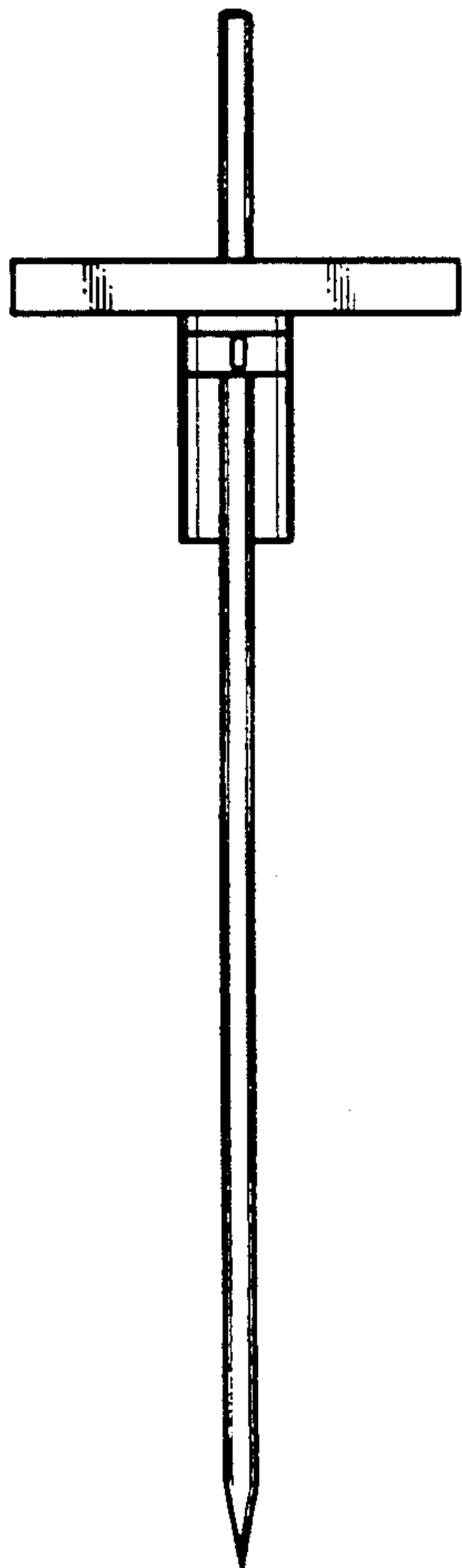
1,175,278	3/1916	Livermore	126/30
2,058,172	10/1936	Myers	126/25 R
2,522,223	9/1950	Hardin et al.	D7/335 X
2,977,953	4/1961	Dowdy	D7/336 X
3,091,343	5/1963	Neumann	126/25 R
3,162,113	12/1964	Tallaksen	126/30 X

**DESCRIPTION**

FIG. 1 is a front elevational view of the campfire cooker showing my new design; FIG. 2 is a rear elevational view thereof; FIG. 3 is a left side elevational view thereof; FIG. 4 is a right side elevational view thereof; FIG. 5 is a top plan view thereof; FIG. 6 is a bottom plan view thereof; and, FIG. 7 is a perspective view taken from above.



*FIG. 1*



*FIG. 2*

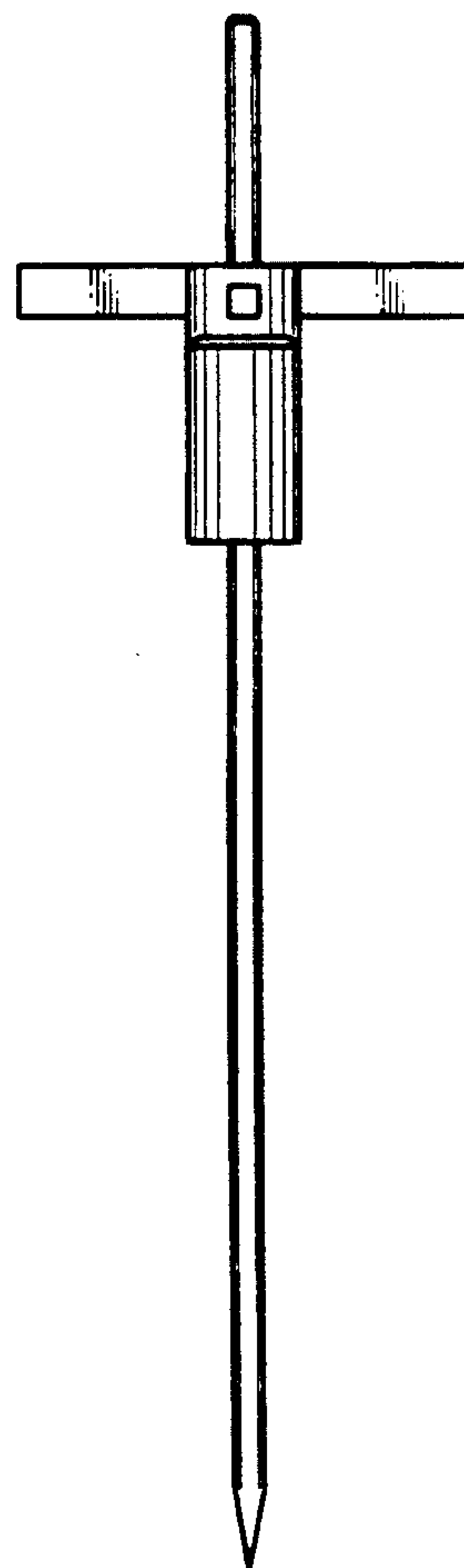


FIG. 3

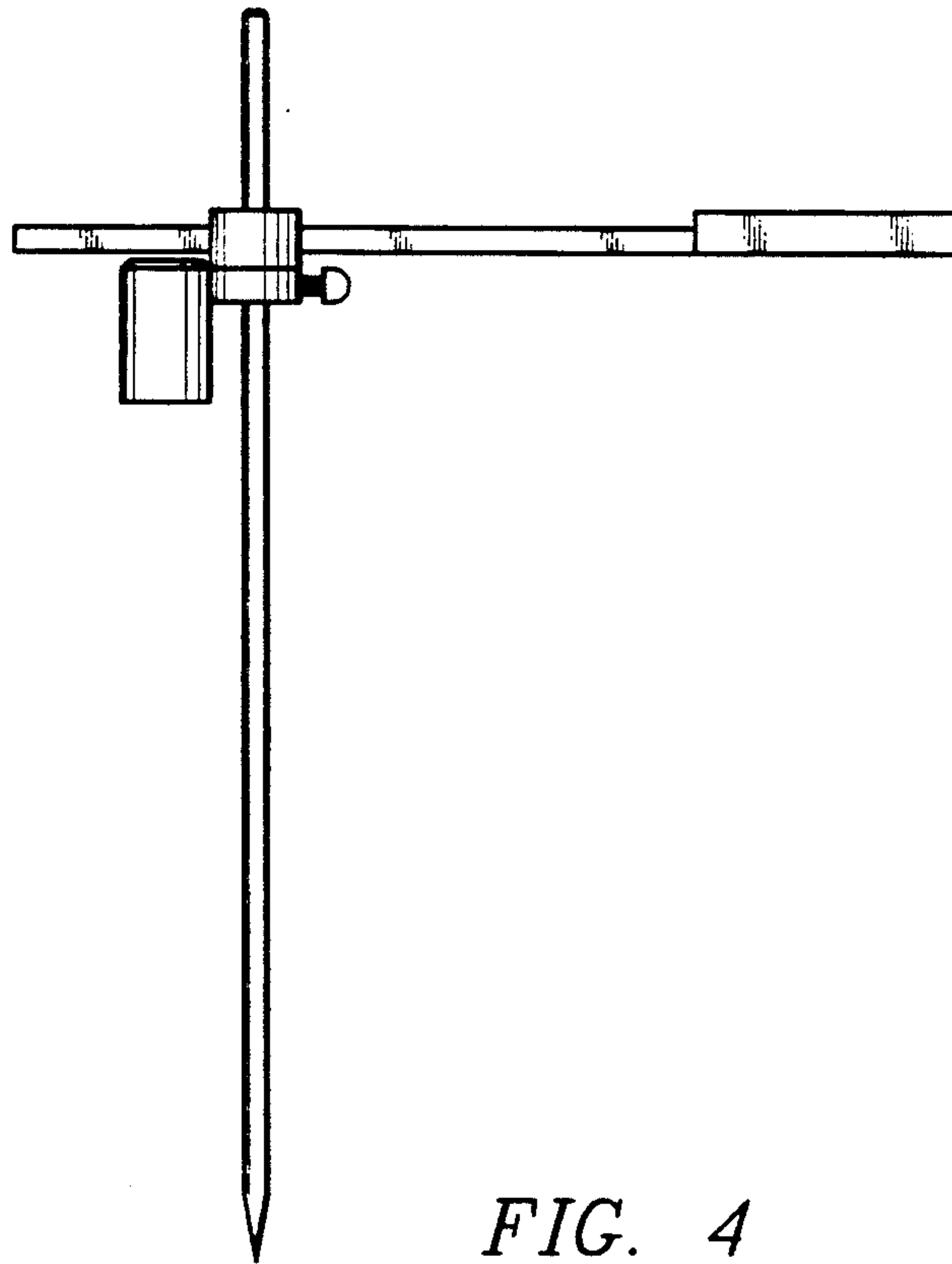


FIG. 4

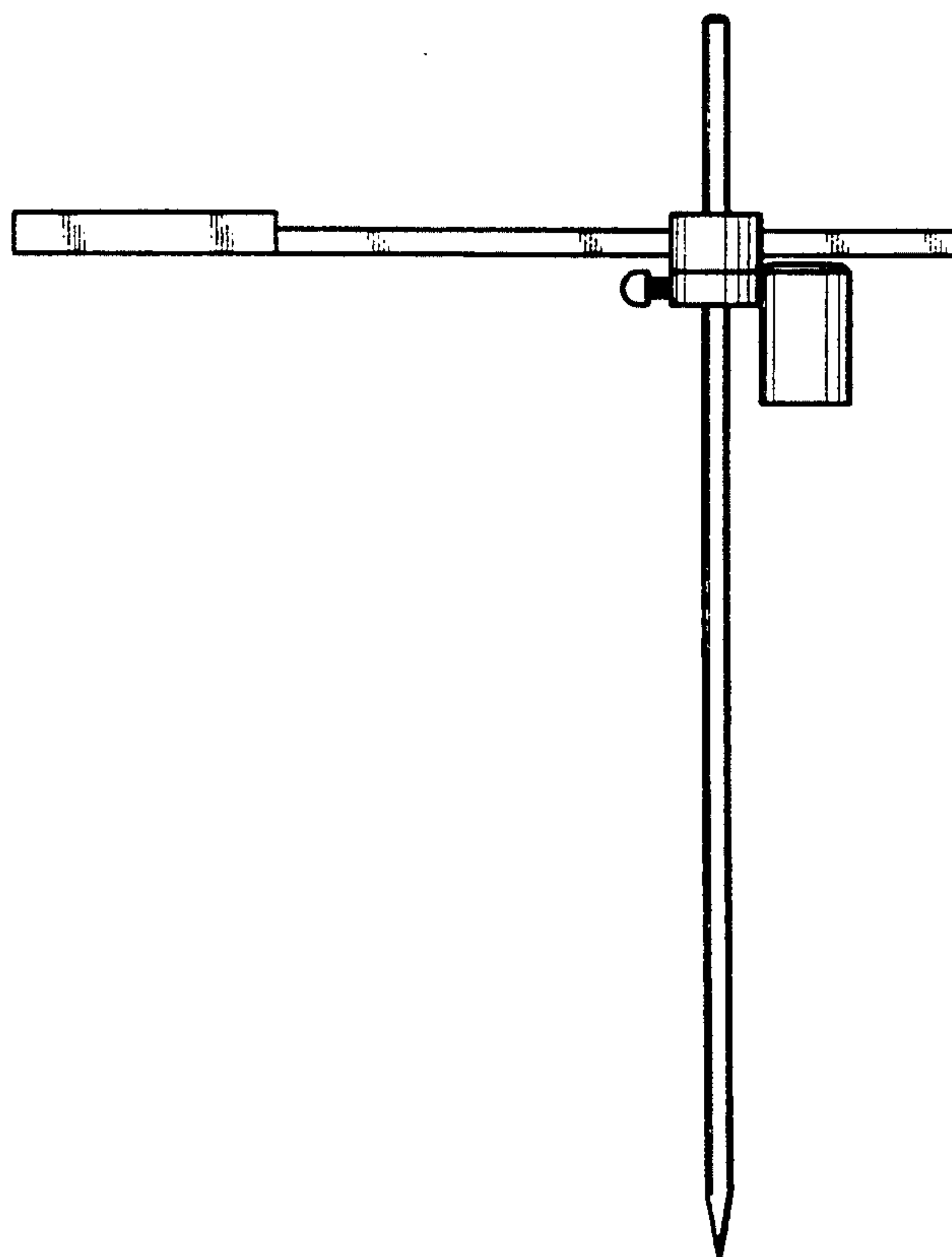


FIG. 5

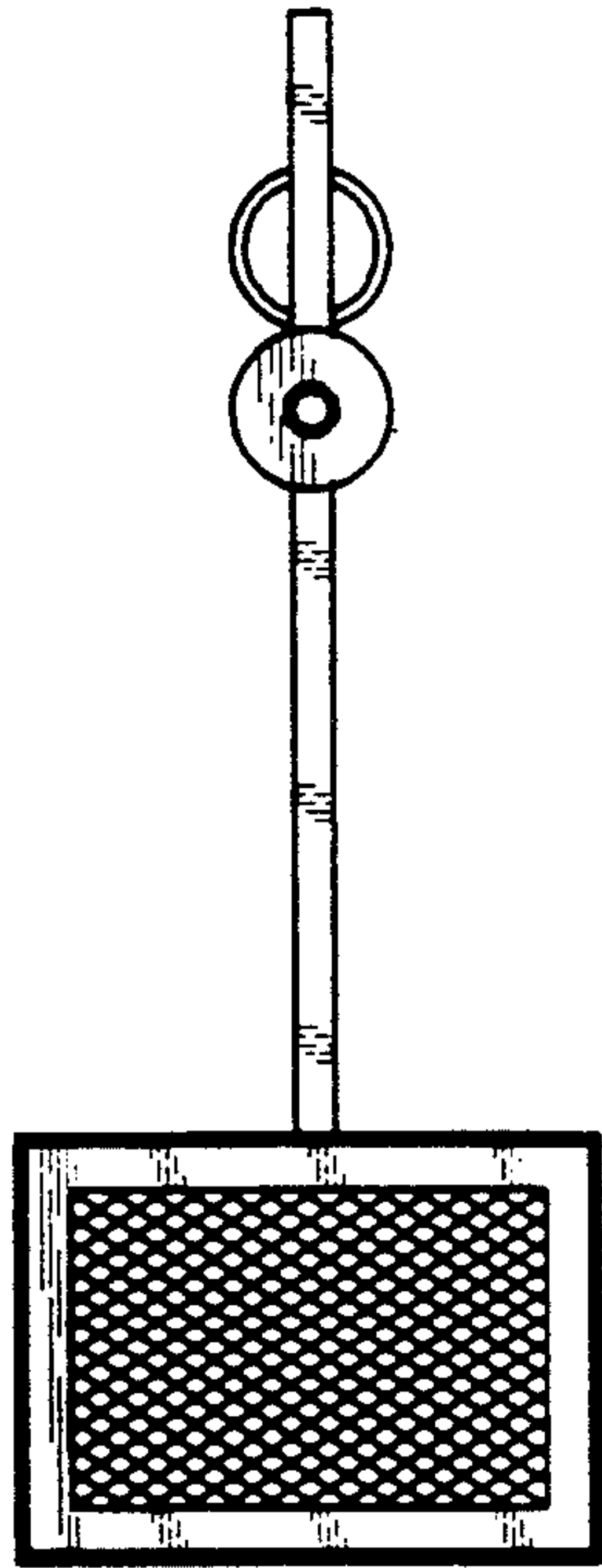


FIG. 6

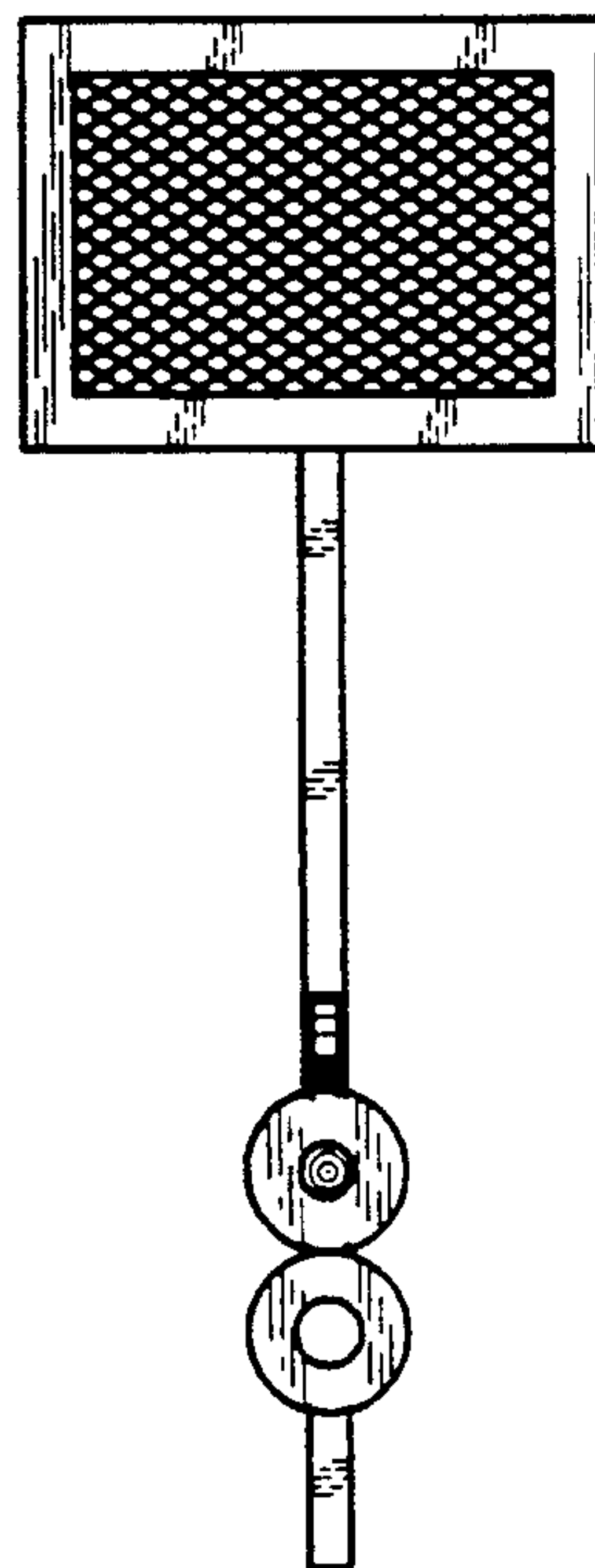


FIG. 7

