



US00D344205S

United States Patent [19]

[11] Patent Number: Des. 344,205

Saltet

[45] Date of Patent: ** Feb. 15, 1994

[54] COMBINED ESPRESSO AND DRIP COFFEE MAKER

D. 328,218	7/1992	Pearce	D7/300 X
D. 337,475	7/1993	Seiffert	D7/311 X
D. 337,915	8/1993	Kahlcke	D7/308
3,968,740	7/1976	Brown	D7/309 X
4,644,856	2/1987	Borgmann	99/295

[75] Inventor: Philippe Saltet, Chateaufort, France

[73] Assignee: Moulinex (Societe Anonyme), Bagnolet, France

[**] Term: 14 Years

[21] Appl. No.: 903,665

[22] Filed: Jun. 24, 1992

[30] Foreign Application Priority Data

Dec. 24, 1991 [FR] France 918,132

[52] U.S. Cl. D7/309; D7/310; D7/311

[58] Field of Search D7/300, 308, 310, 311, D7/305, 309; 99/279, 293, 295

[56] References Cited

U.S. PATENT DOCUMENTS

D. 295,486	5/1988	Eugster et al.	D7/309
D. 304,408	11/1989	Beeren	D7/309
D. 317,237	6/1971	Bolivar	D7/311 X
D. 318,973	8/1991	Hasslacher	D7/308

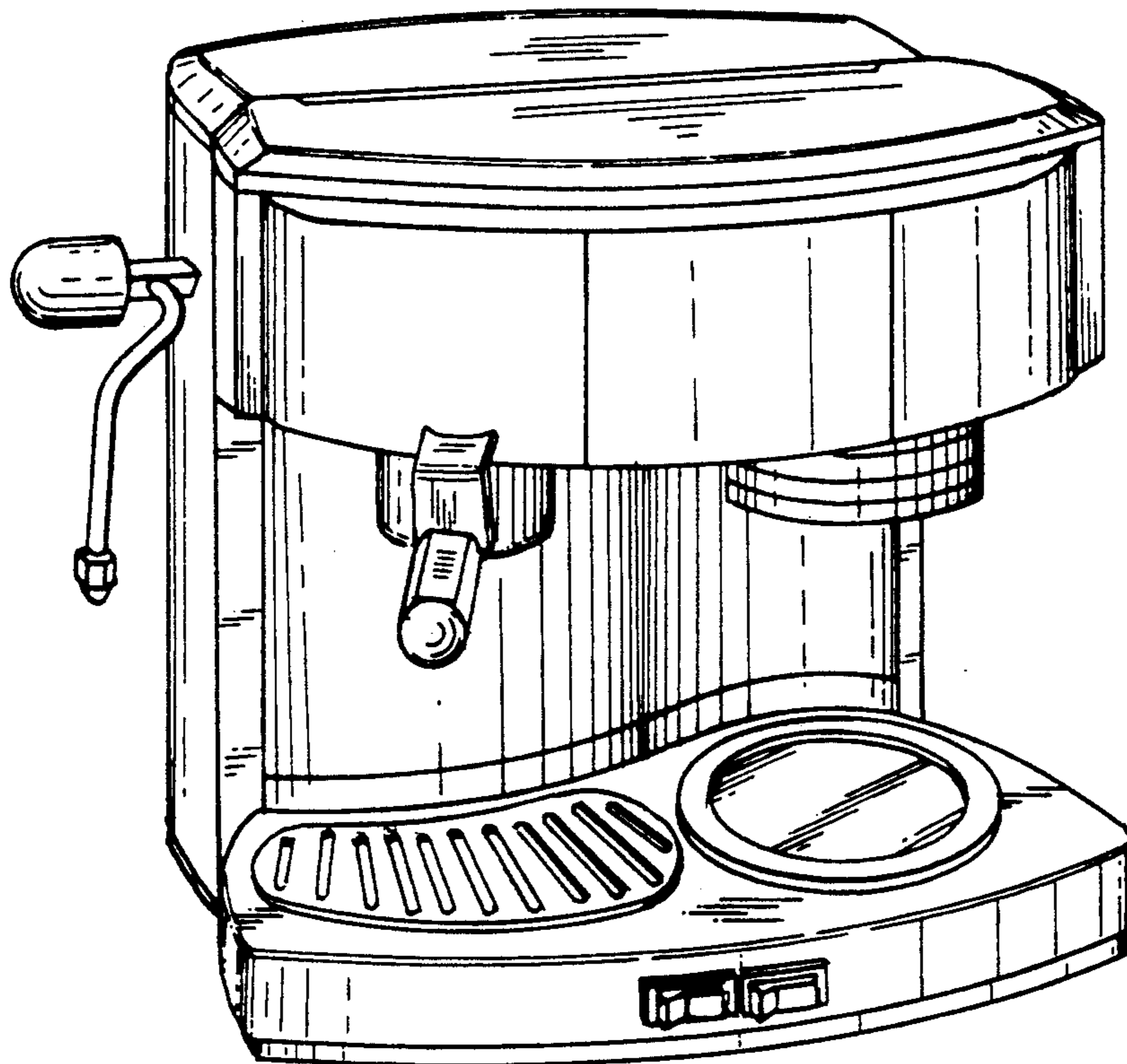
Primary Examiner—Nelson C. Holtje
Assistant Examiner—M. N. Pandozzi
Attorney, Agent, or Firm—Young & Thompson

[57] CLAIM

The ornamental design for a combined espresso and drip coffee maker, as shown.

DESCRIPTION

FIG. 1 is a top, front and side perspective view of a combined espresso and drip coffee maker, showing my new design;
FIG. 2 is a front elevational view thereof;
FIG. 3 is a side elevational view thereof from the left of FIG. 2;
FIG. 4 is a side elevational view thereof from the right of FIG. 2;
FIG. 5 is a rear elevational view thereof;
FIG. 6 is a top plan view thereof; and,
FIG. 7 is a bottom plan view thereof.



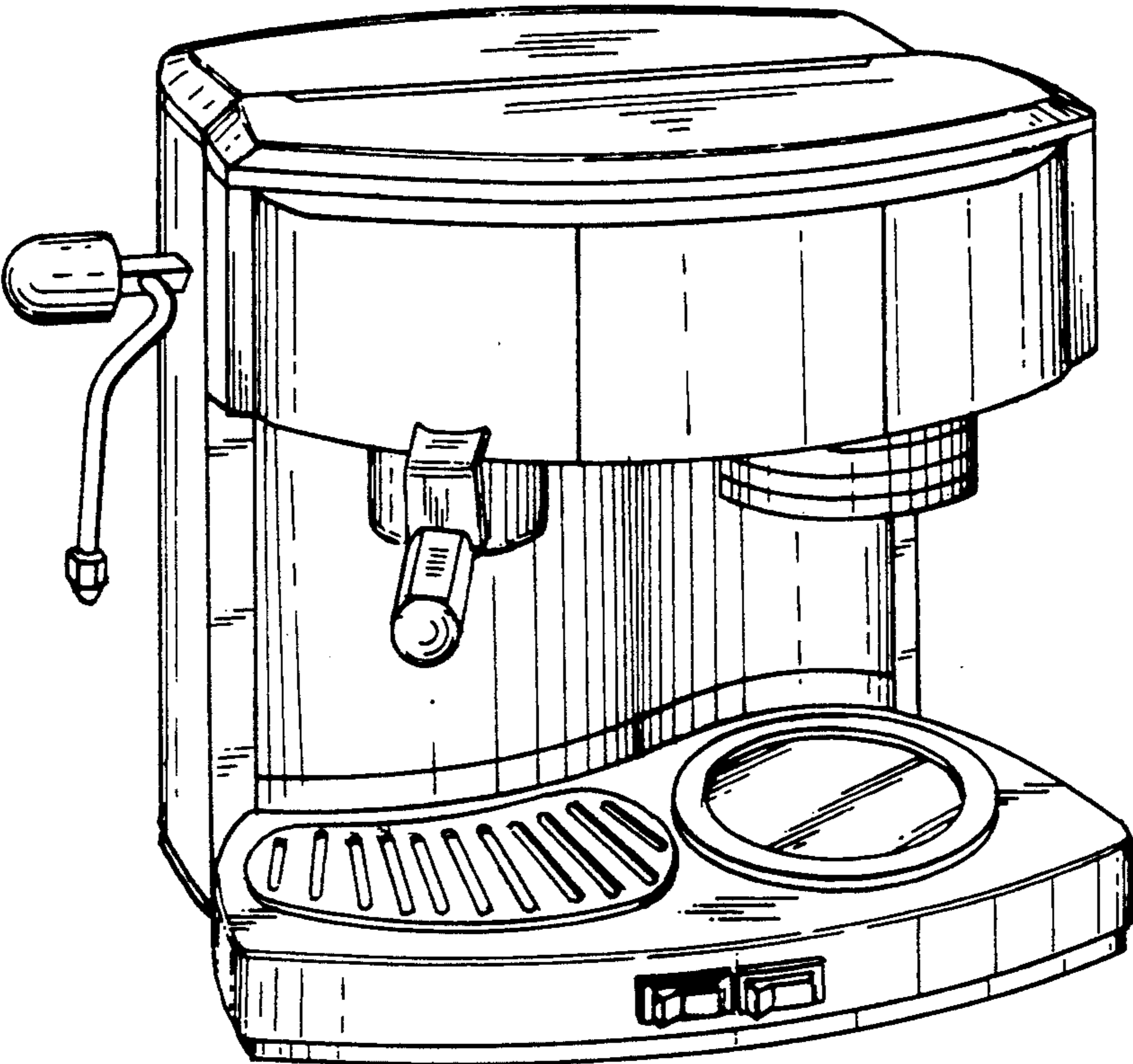


FIG. 1

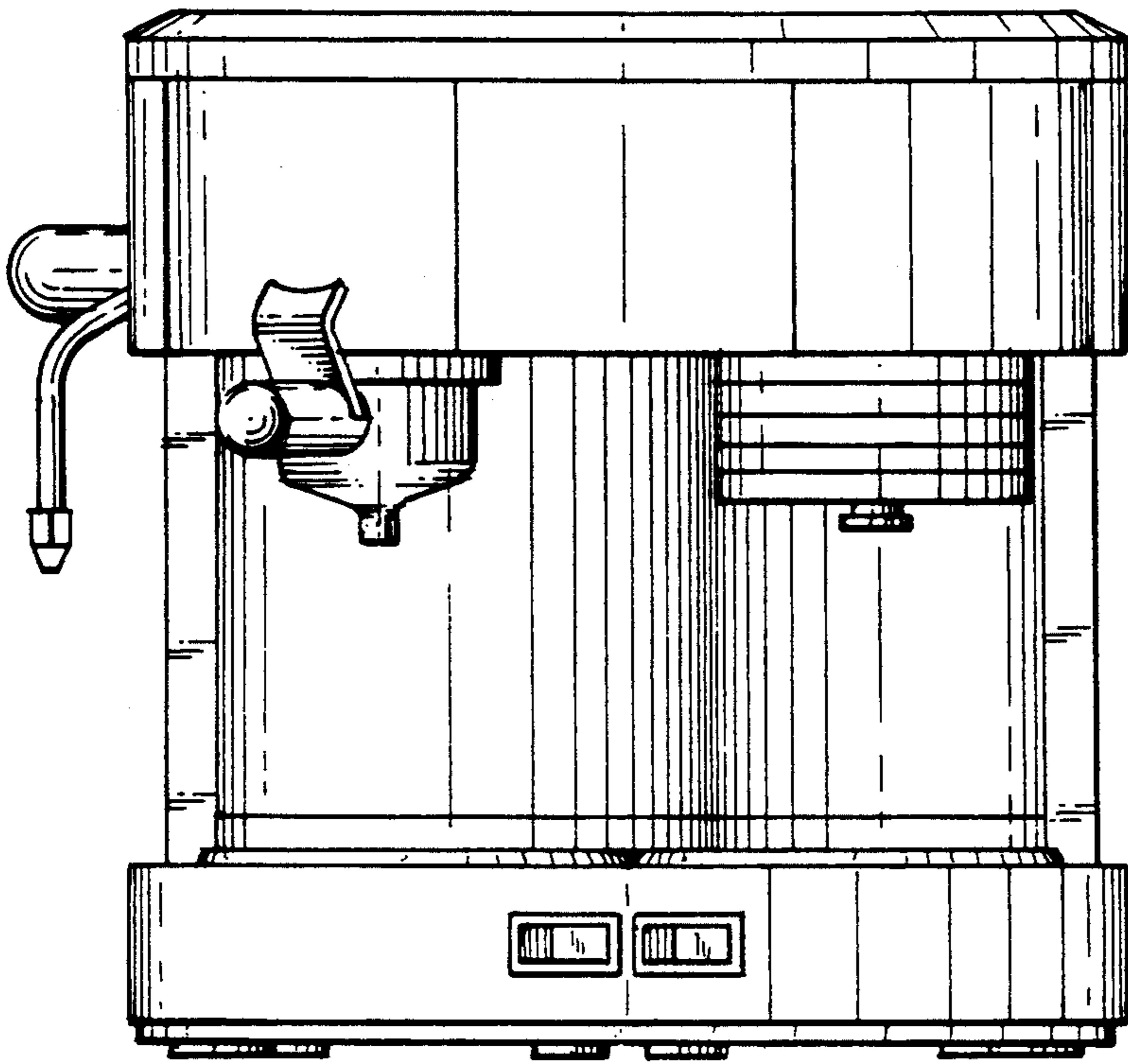


FIG. 2

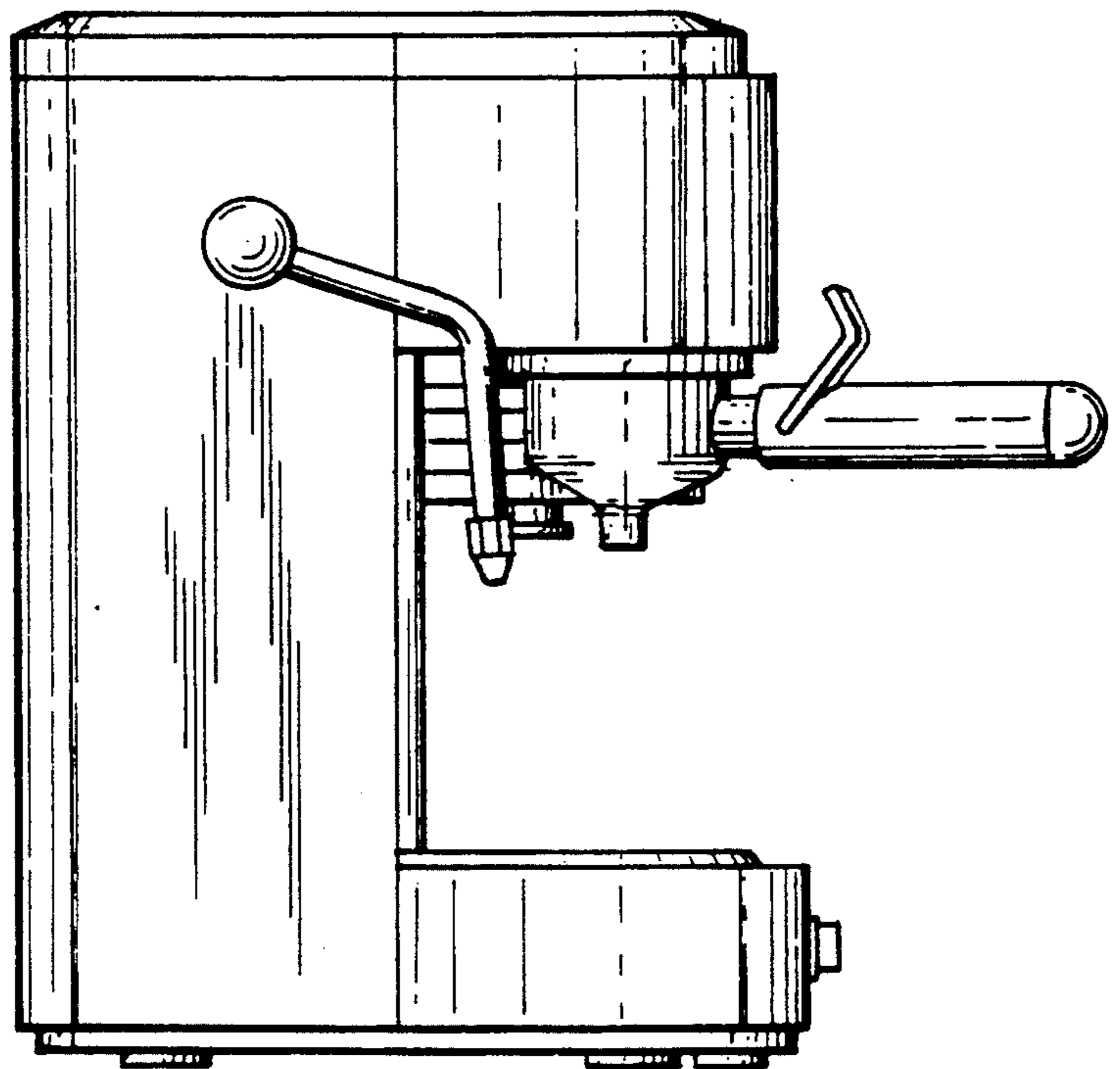


FIG. 3

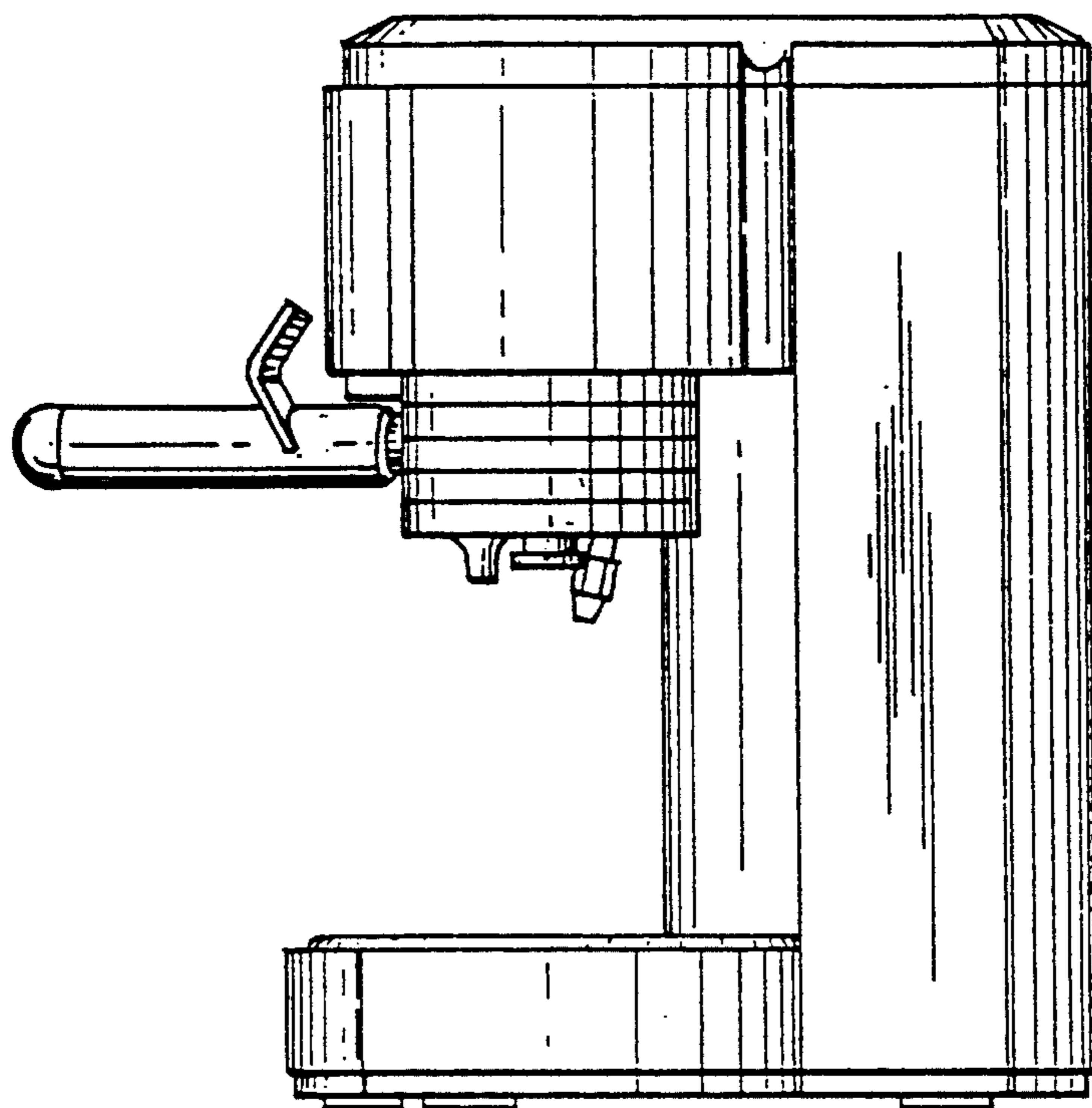
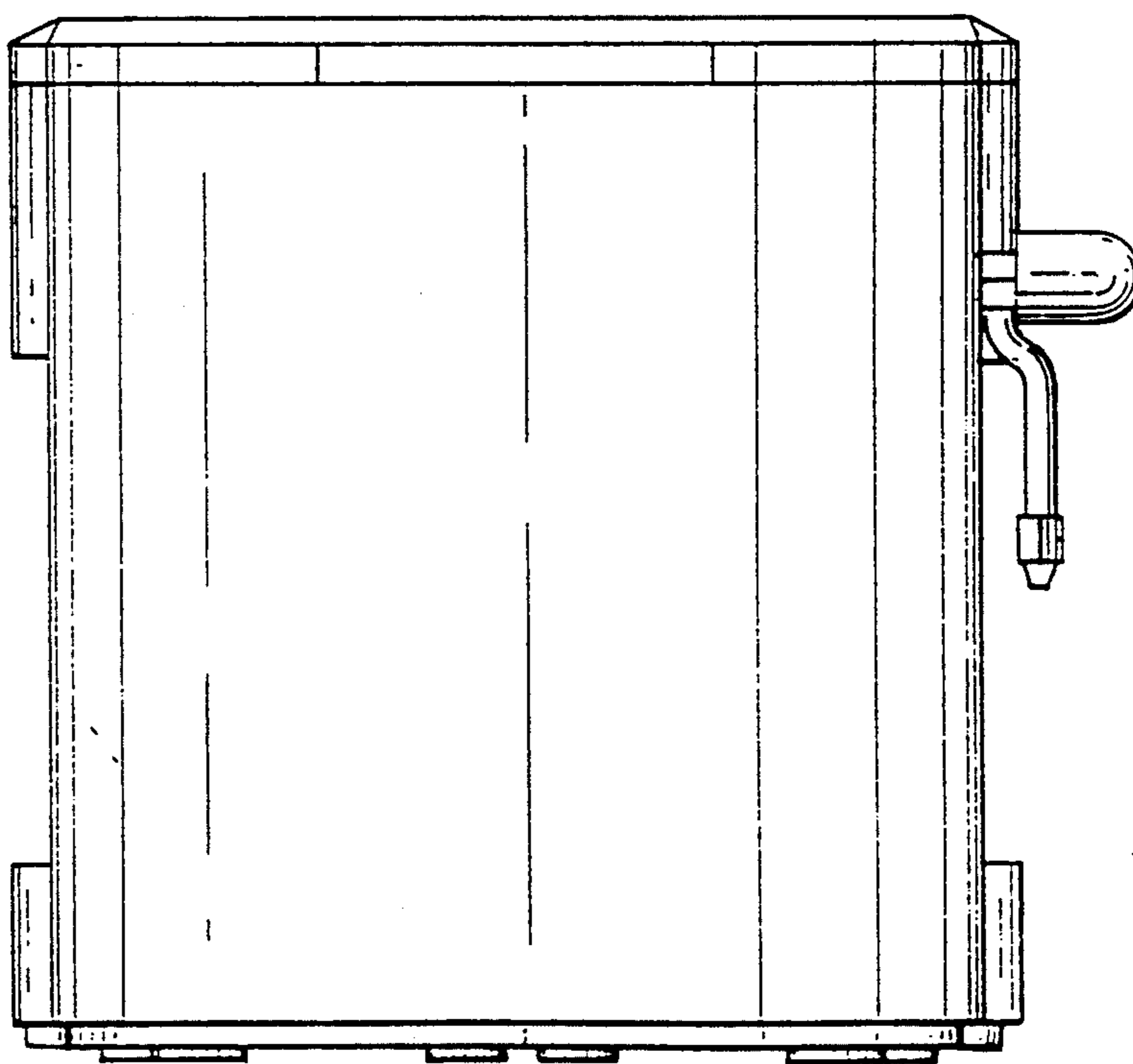


FIG. 4

FIG. 5



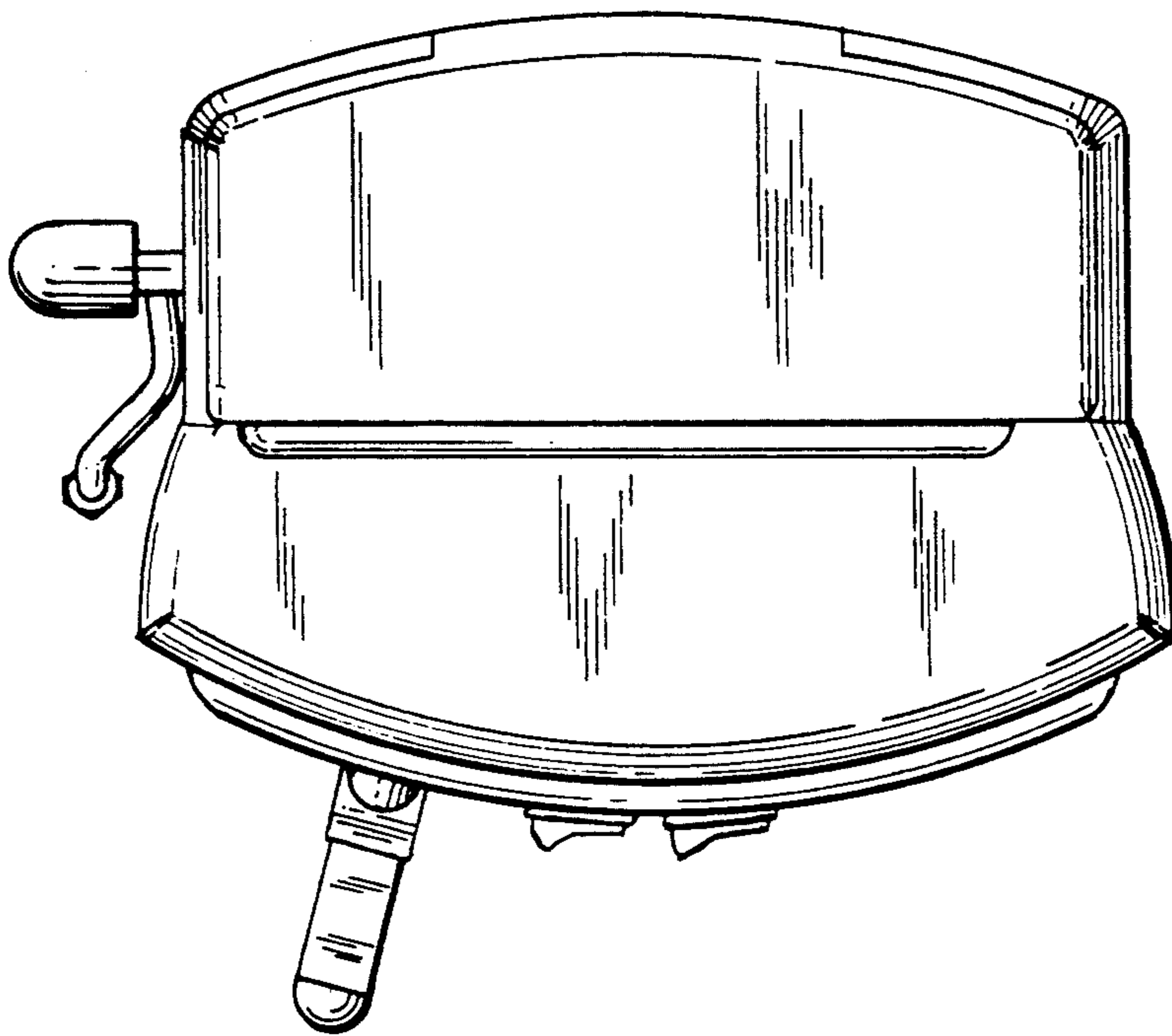


FIG. 6

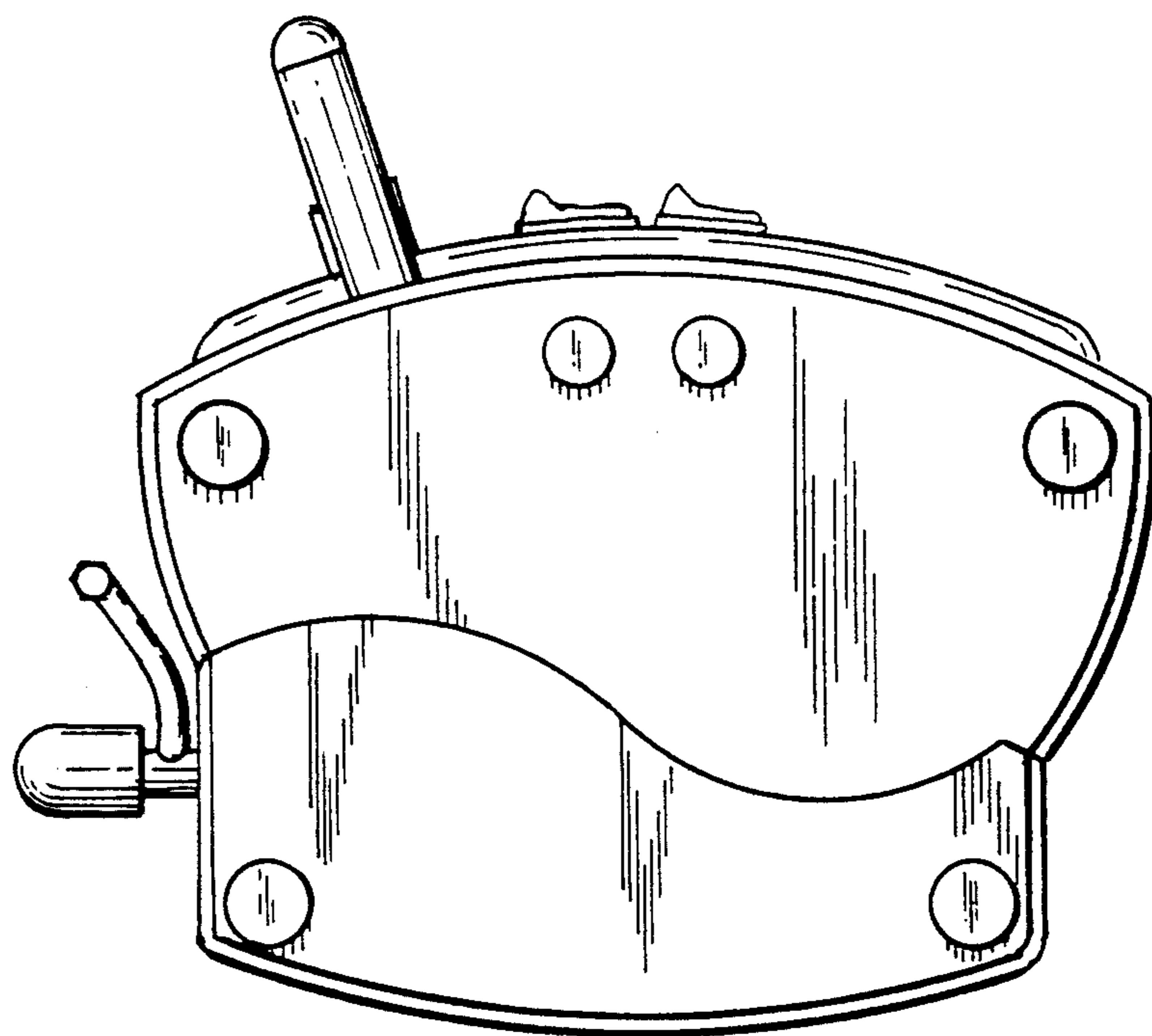


FIG. 7