



US00D344202S

# United States Patent [19]

[11] Patent Number: **Des. 344,202**

**Schwartz**

[45] Date of Patent: **\*\* Feb. 15, 1994**

[54] **BACK SUPPORT FOR A CHAIR**

[75] Inventor: **Larry A. Schwartz, Franklin Lakes, N.J.**

[73] Assignee: **Omni Products International, Inc., Fairfield, N.J.**

[\*\*] Term: **14 Years**

[21] Appl. No.: **884,082**

[22] Filed: **May 15, 1992**

[52] U.S. Cl. .... **D6/502**

[58] Field of Search ..... **D6/500-502, D6/334, 370, 380; 297/295, 353, DIG. 2**

- D. 311,460 10/1990 Greene .
- D. 313,515 1/1991 Wood .
- D. 323,249 1/1992 Schwartz .
- D. 325,837 5/1992 Schwartz .
- D. 333,042 2/1993 Komai et al. .... D6/370
- D. 333,737 3/1993 Adams ..... D6/368

*Primary Examiner*—Nelson C. Holtje  
*Assistant Examiner*—J. E. Seeger  
*Attorney, Agent, or Firm*—Lerner, David, Littenberg, Krumholz & Mentlik

[57] **CLAIM**

The ornamental design for a back support for a chair, as shown and described.

[56] **References Cited**

**U.S. PATENT DOCUMENTS**

- D. 94,089 9/1934 Lucas .
- D. 111,406 2/1939 Uber .
- D. 113,144 11/1938 Meitner .
- D. 141,648 6/1945 Bannister .
- D. 145,678 4/1945 Roth .
- D. 213,438 3/1969 Koch .
- D. 223,569 5/1972 Grossfillex .
- D. 252,904 9/1979 Springfield .
- D. 252,905 9/1979 Springfield .
- D. 272,303 1/1984 Deconinck ..... D6/380
- D. 277,241 1/1985 Massonnet .
- D. 277,917 3/1985 Slakman .
- D. 279,947 8/1985 Ballarini .
- D. 281,941 12/1985 Ambasz et al. .
- D. 296,848 7/1988 Colby .
- D. 298,787 12/1988 Greene .
- D. 300,587 4/1989 Uredat .

**DESCRIPTION**

FIG. 1 is a perspective view of a back support for a chair, showing my new design;  
 FIG. 2 is a front elevational view;  
 FIG. 3 is a top plan view, taken from FIG. 5;  
 FIG. 4 is a rear elevational view;  
 FIG. 5 is a side elevational view, the opposite side being a mirror image thereof;  
 FIG. 6 is a bottom plan view, taken from FIG. 5;  
 FIG. 7 is a perspective view of a back support for a chair, showing an alternate embodiment of my new design;  
 FIG. 8 is a front elevational view;  
 FIG. 9 is a top plan view, taken from FIG. 11;  
 FIG. 10 is a rear elevational view;  
 FIG. 11 is a side elevational view, the opposite side being a mirror image thereof; and,  
 FIG. 12 is a bottom plan view, taken from FIG. 11.

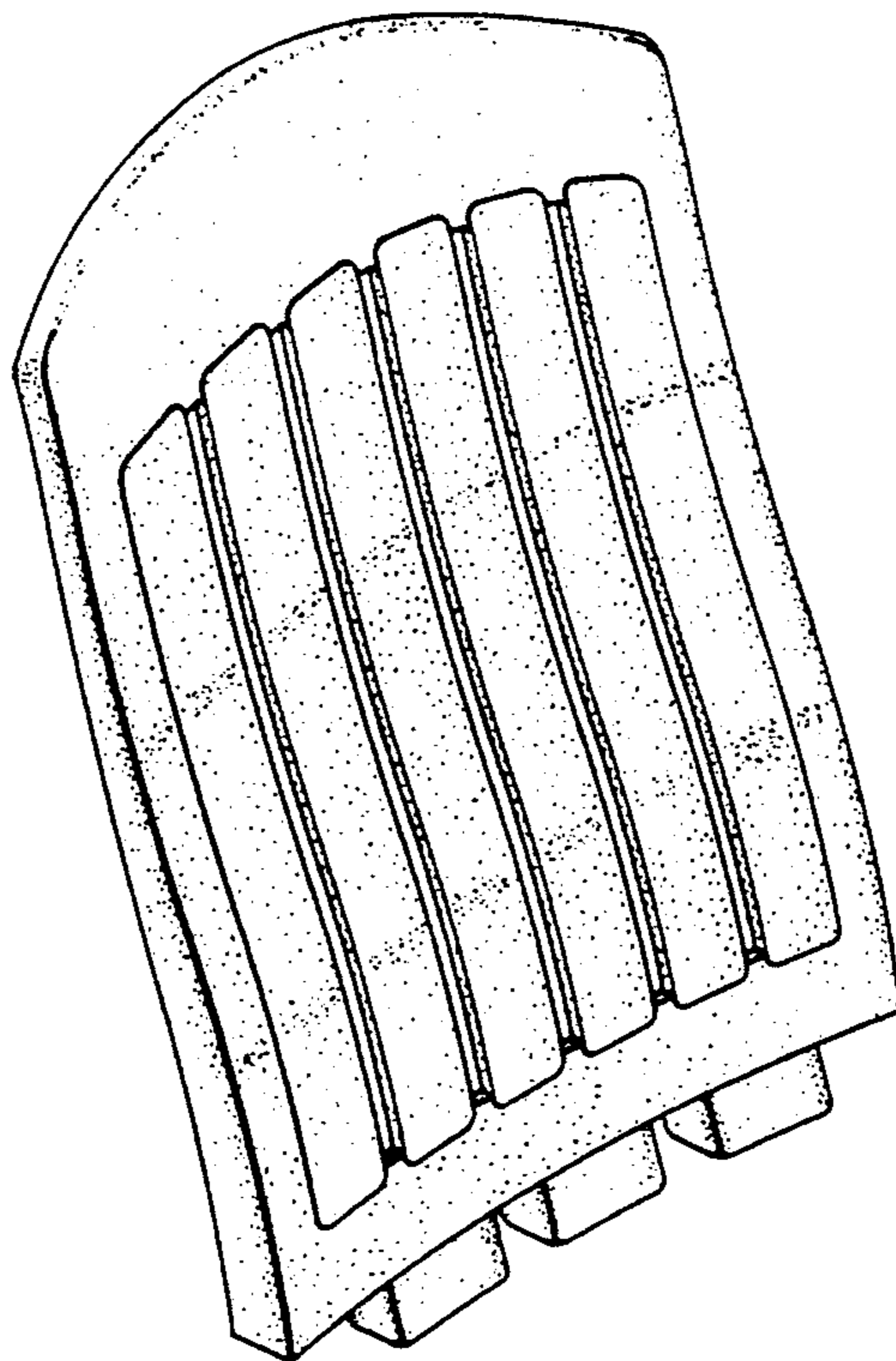


FIG. 1

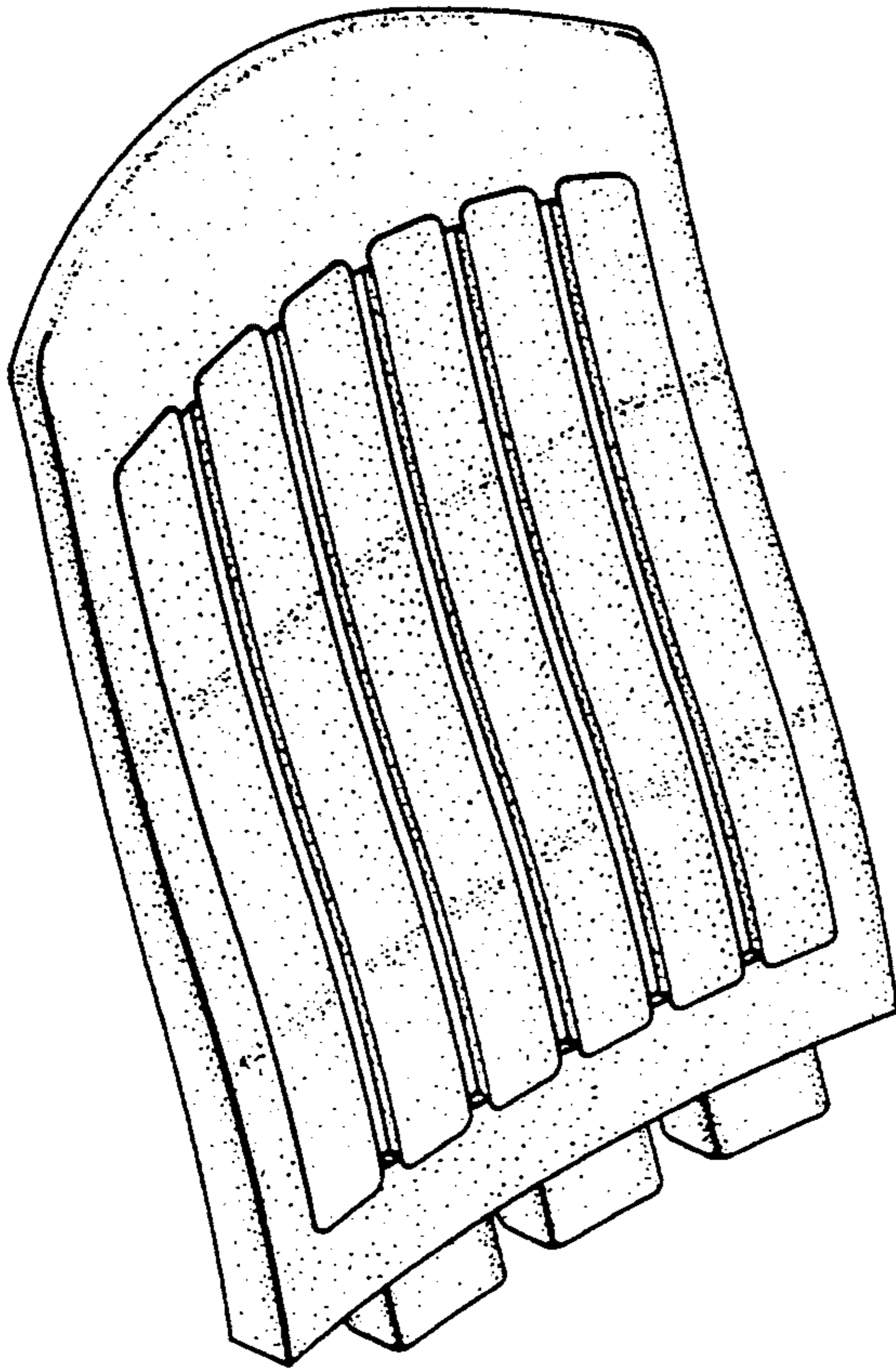


FIG. 2

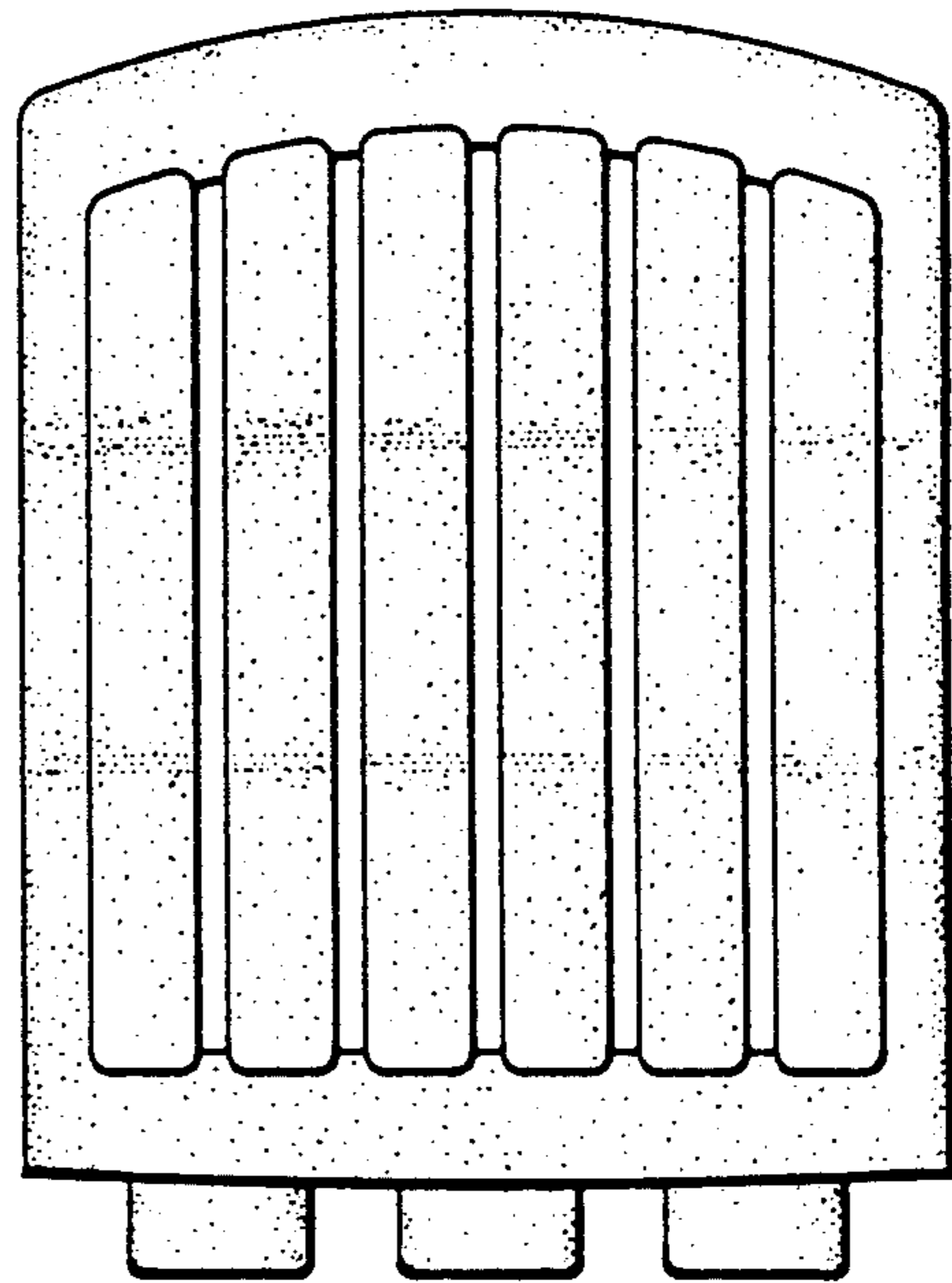


FIG. 4

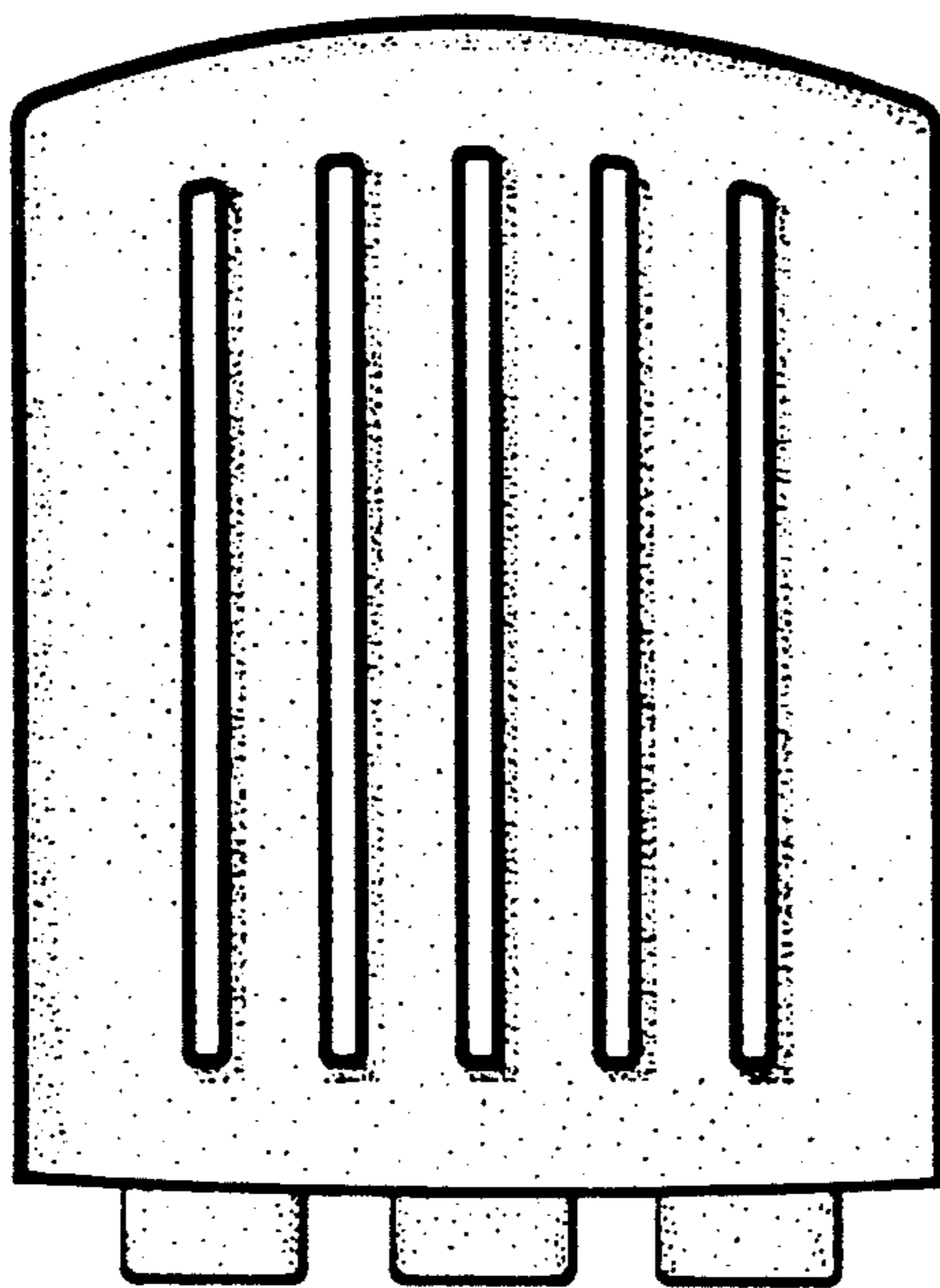


FIG. 3

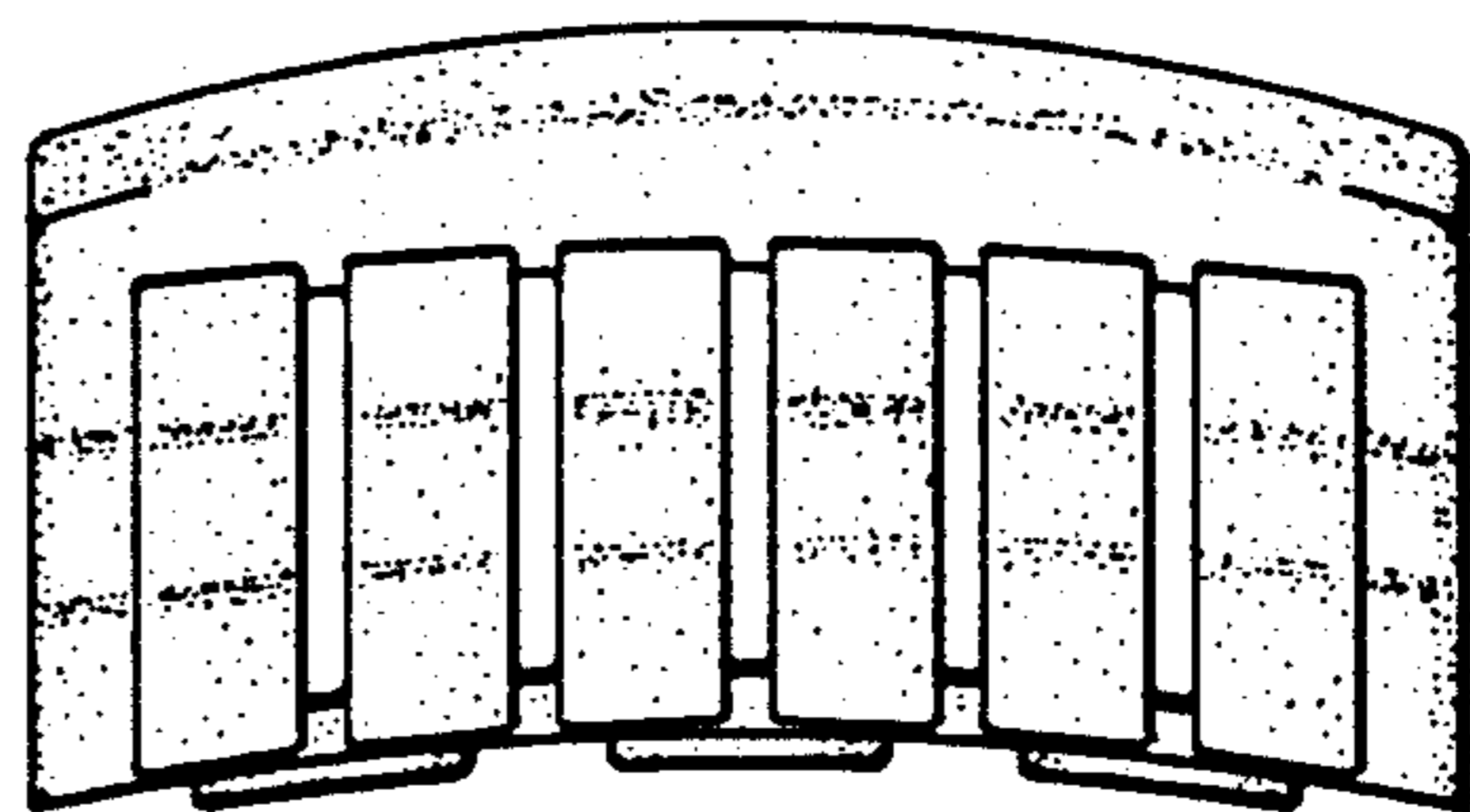


FIG. 5

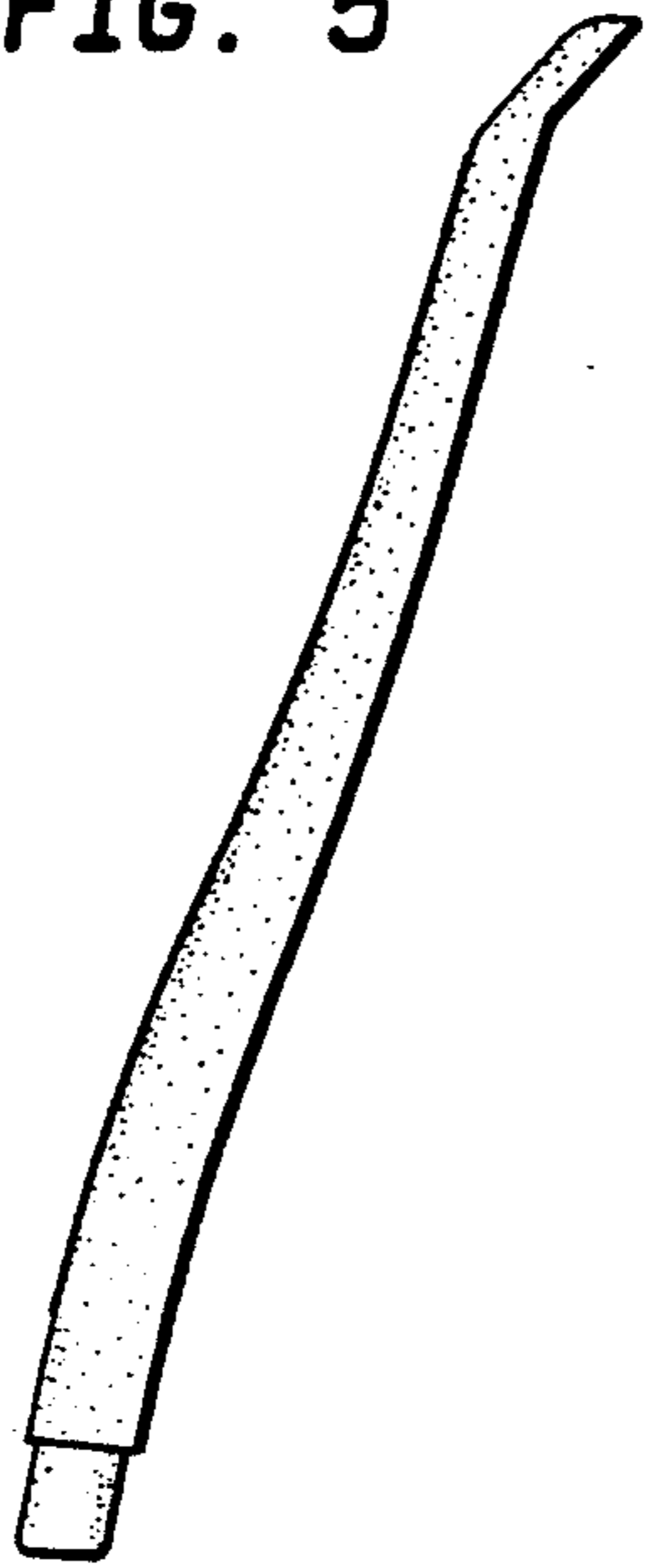


FIG. 6

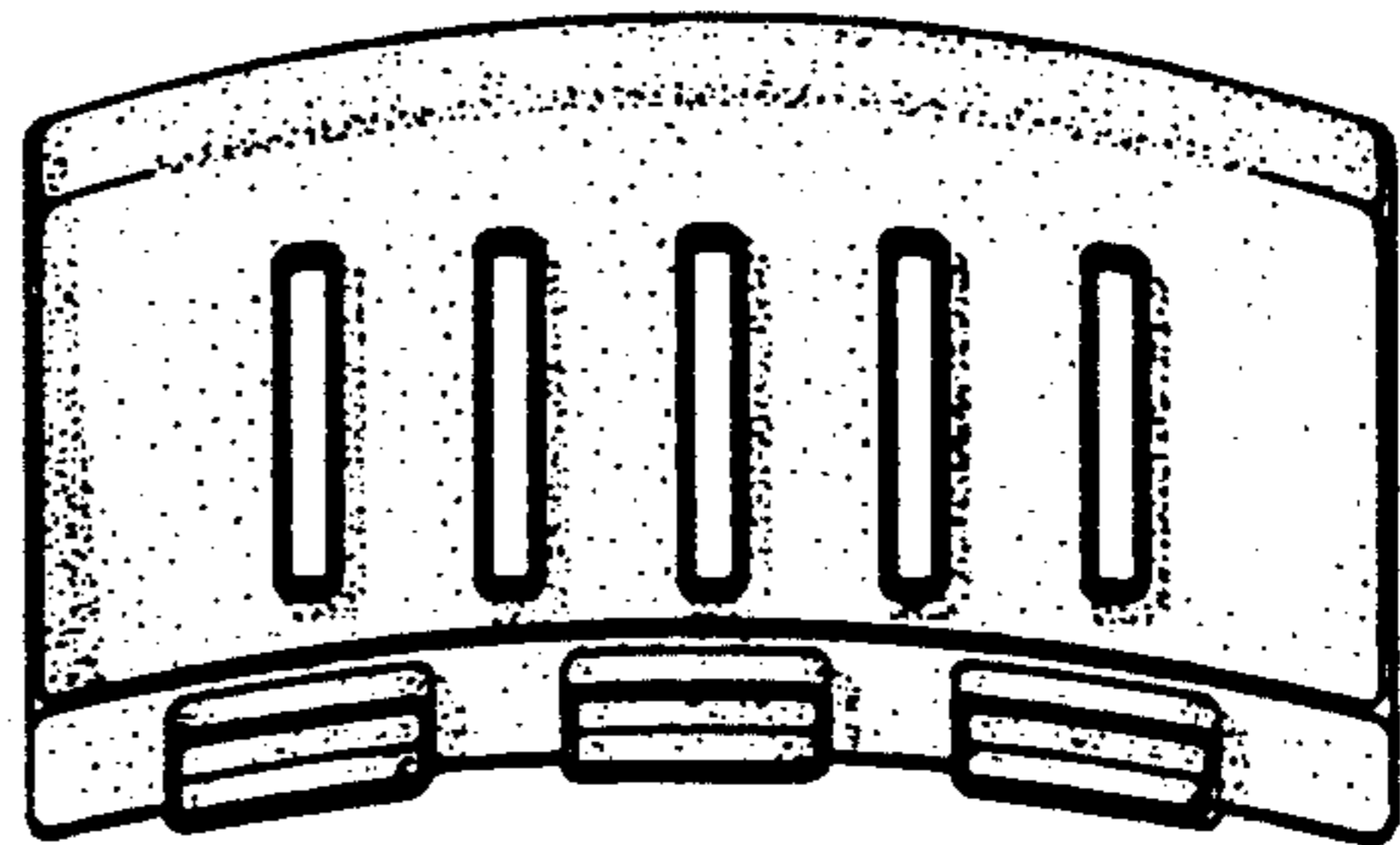


FIG. 8

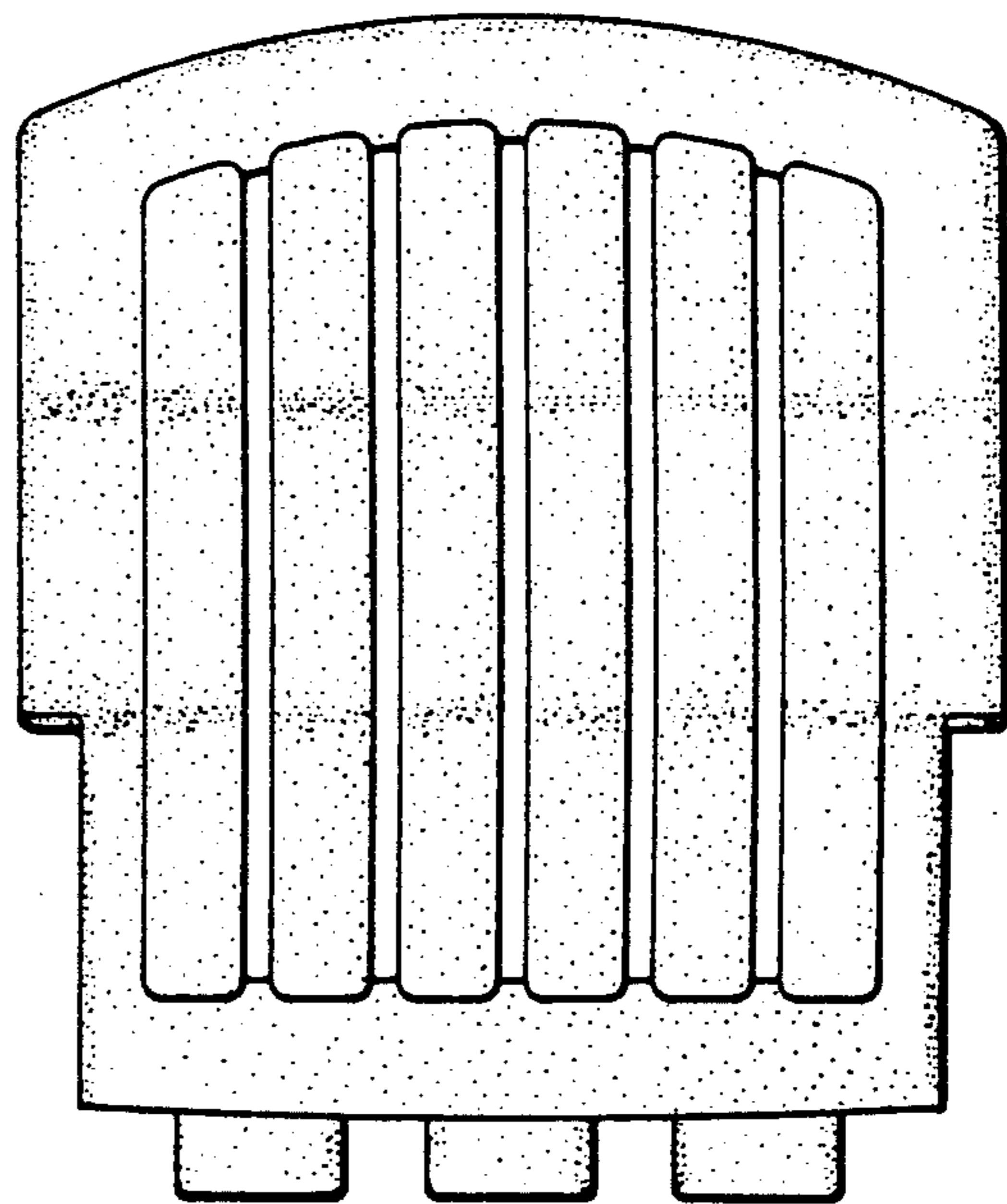


FIG. 7

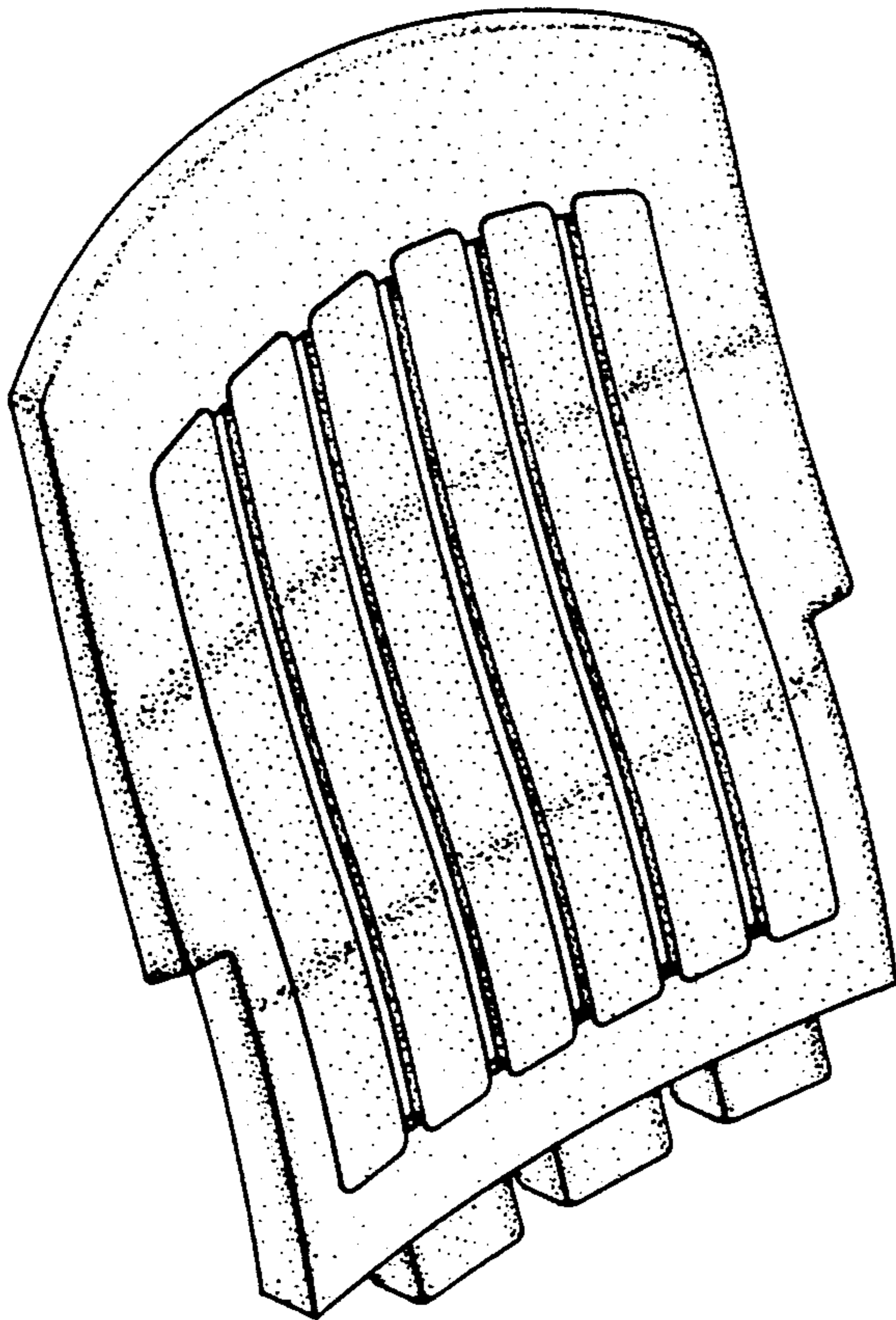


FIG. 9

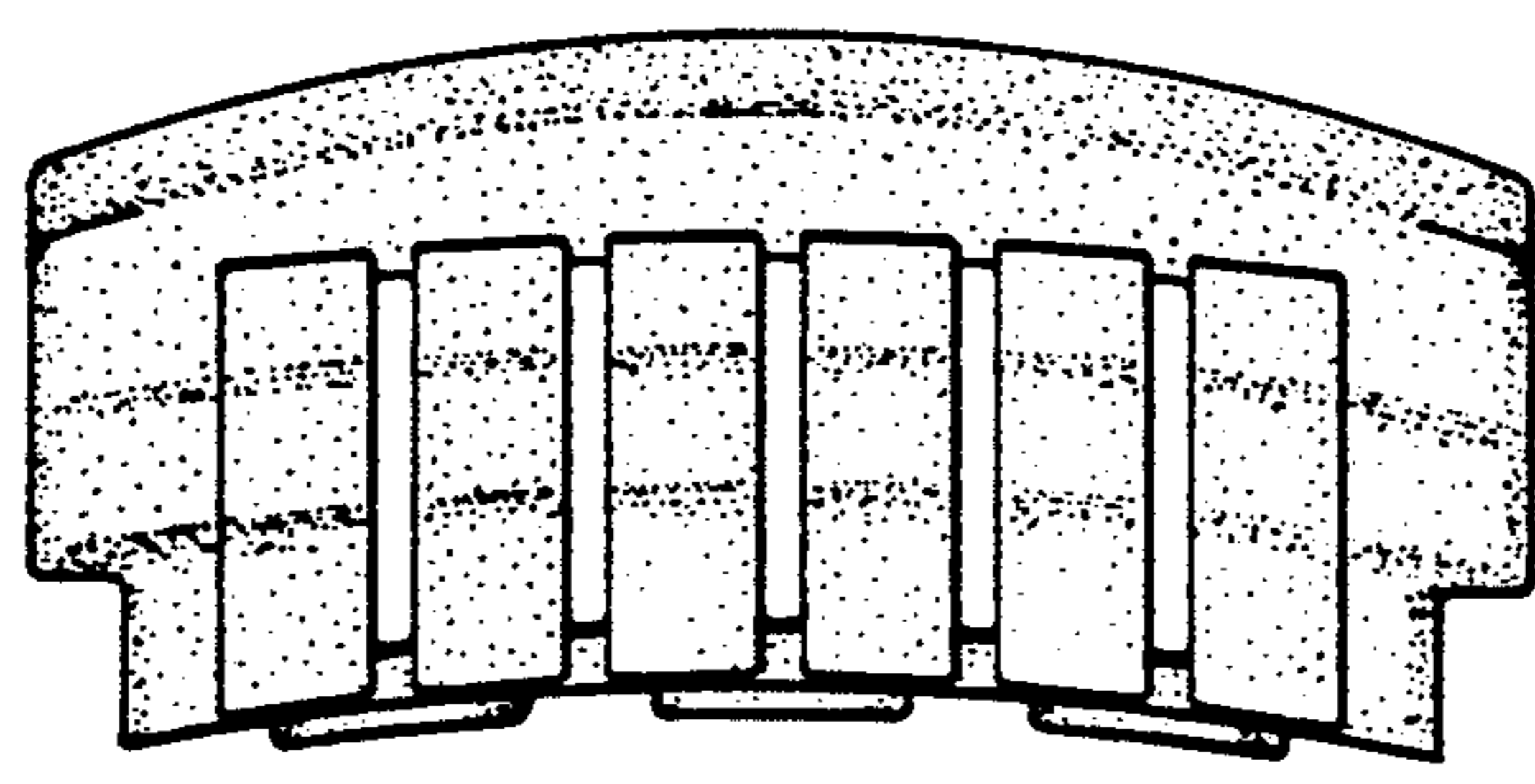


FIG. 11

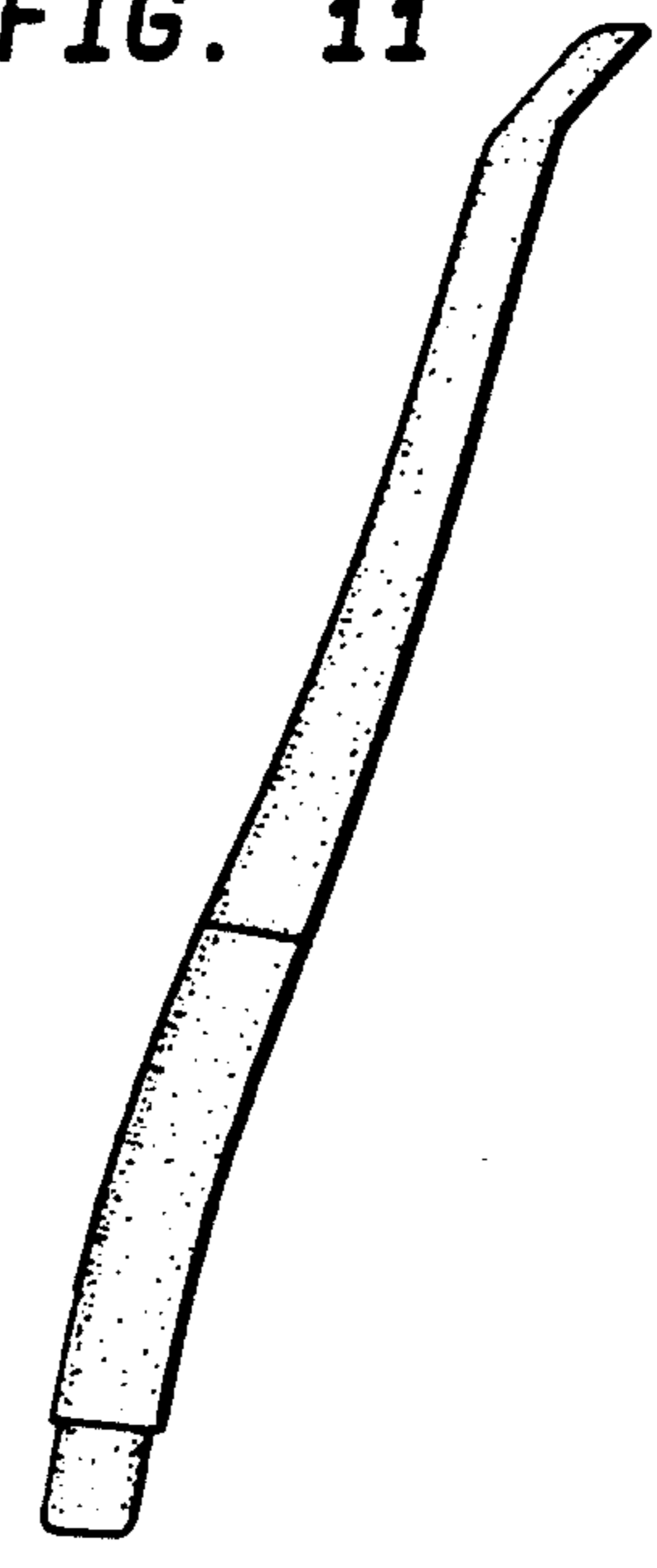


FIG. 10

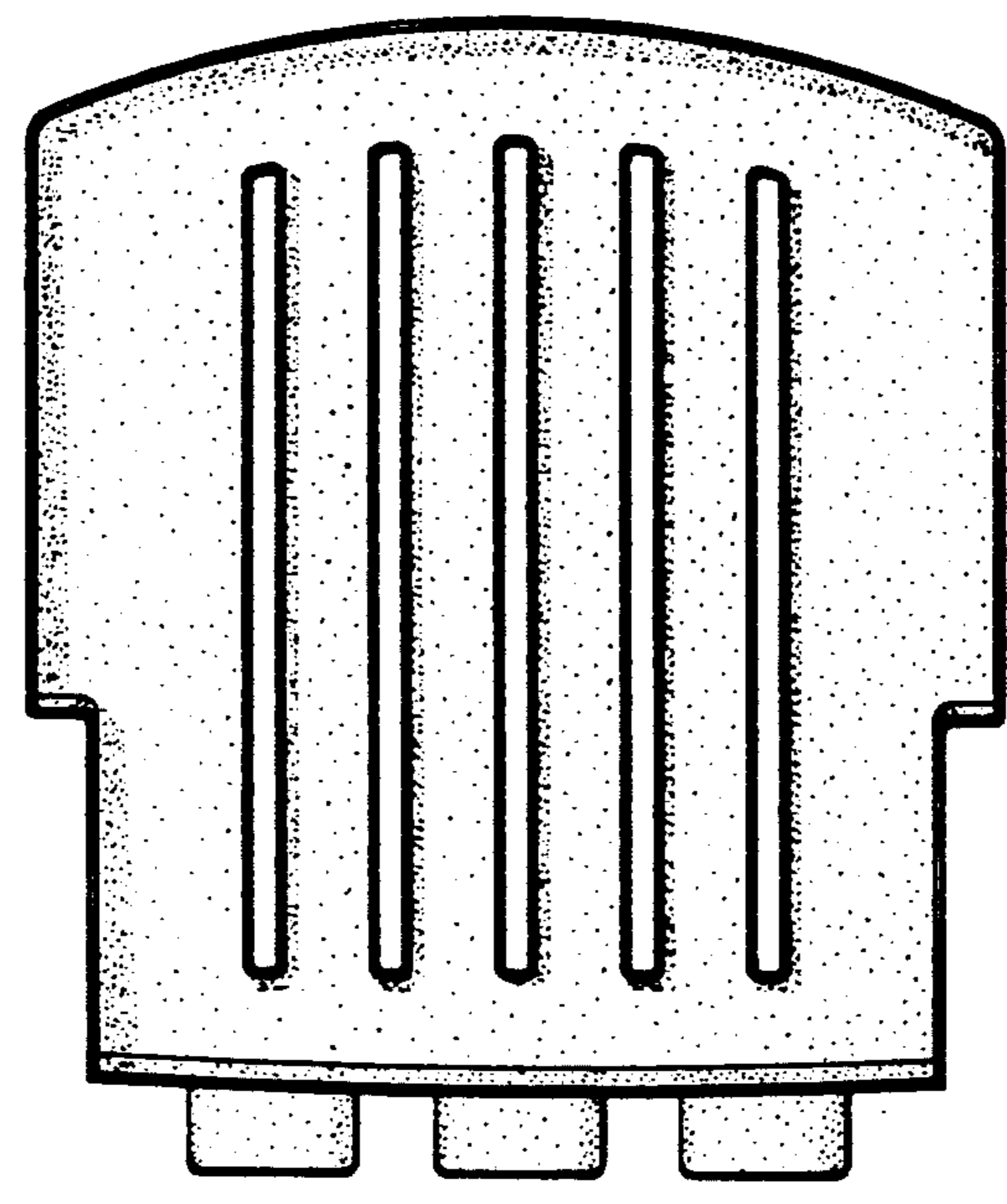


FIG. 12

