



US00D344200S

# United States Patent [19]

[11] Patent Number: **Des. 344,200**

**Schwartz**

[45] Date of Patent: **\*\* Feb. 15, 1994**

## [54] CHAIR SEAT AND BACK

[75] Inventor: **Larry A. Schwartz**, Franklin Lakes, N.J.

[73] Assignee: **Omni Products International, Inc.**, Fairfield, N.J.

[\*\*] Term: **14 Years**

[21] Appl. No.: **827,953**

[22] Filed: **Jan. 28, 1992**

[52] U.S. Cl. .... **D6/500**

[58] Field of Search ..... **D6/500-502, D6/334, 370, 380; 297/295, 353, DIG. 2**

## [56] References Cited

### U.S. PATENT DOCUMENTS

- D. 94,089 9/1934 Lucas .
- D. 111,406 2/1939 Uber .
- D. 113,144 11/1938 Meitner .
- D. 141,648 6/1945 Bannister .
- D. 145,678 4/1945 Roth .
- D. 213,438 3/1969 Koch .
- D. 223,569 5/1972 Grosfillex .
- D. 252,904 9/1979 Springfield .
- D. 252,905 9/1979 Springfield .
- D. 277,241 1/1985 Massonnet .
- D. 277,917 3/1985 Slakman .
- D. 279,947 8/1985 Ballarini .
- D. 281,941 12/1985 Ambasz et al. .
- D. 296,848 7/1988 Colby .
- D. 298,787 12/1988 Greene .
- D. 300,587 4/1989 Uredat .
- D. 311,460 10/1990 Greene .
- D. 313,515 1/1991 Wood .
- D. 320,508 10/1991 Klawitter ..... **D6/370 X**
- D. 323,249 1/1992 Schwartz .
- D. 325,837 5/1992 Schwartz .
- D. 327,377 6/1992 Grosfillex ..... **D6/370 X**
- D. 328,679 8/1992 Grosfillex ..... **D6/500 X**
- D. 329,338 9/1992 Komai et al. .... **D6/380 X**
- D. 331,501 12/1992 Grosfillex ..... **D6/380 X**
- D. 331,518 12/1992 Grosfillex ..... **D6/370 X**

### OTHER PUBLICATIONS

*Industrial Design* No. 1/ Dec. 1977, p. 46 chair at top right.

*Primary Examiner*—Nelson C. Holtje  
*Assistant Examiner*—J. E. Seeger  
*Attorney, Agent, or Firm*—Lerner, David, Littenberg, Krumholz & Mentlik

## [57] CLAIM

The ornamental design for a chair seat and back, as shown and described.

## DESCRIPTION

FIG. 1 is a perspective view, taken slightly from above, of a chair seat and back showing my new design;  
 FIG. 2 is a front elevational view;  
 FIG. 3 is a right side elevational view, the left side elevational view being a mirror image thereof;  
 FIG. 4 is a top plan view;  
 FIG. 5 is a rear elevational view;  
 FIG. 6 is a bottom plan view;  
 FIG. 7 is a perspective view, taken slightly from above, of a second embodiment of a chair seat and back showing my new design;  
 FIG. 8 is a front elevational view;  
 FIG. 9 is a right side elevational view, the left side elevational view being a mirror image thereof;  
 FIG. 10 is a top plan view;  
 FIG. 11 is a rear elevational view;  
 FIG. 12 is a bottom plan view;  
 FIG. 13 is a perspective view, taken slightly from above, of a third embodiment of a chair seat and back showing my new design;  
 FIG. 14 is a front elevational view;  
 FIG. 15 is a right side elevational view, the left side elevational view being a mirror image thereof;  
 FIG. 16 is a top plan view;  
 FIG. 17 is a rear elevational view;  
 FIG. 18 is a bottom plan view;  
 FIG. 19 is a perspective view, taken slightly from above, of a fourth embodiment of a chair seat and back showing my new design;  
 FIG. 20 is a front elevational view;  
 FIG. 21 is a right side elevational view, the left side elevational view being a mirror image thereof;  
 FIG. 22 is a top plan view;  
 FIG. 23 is a rear elevational view; and,  
 FIG. 24 is a bottom plan view thereof.

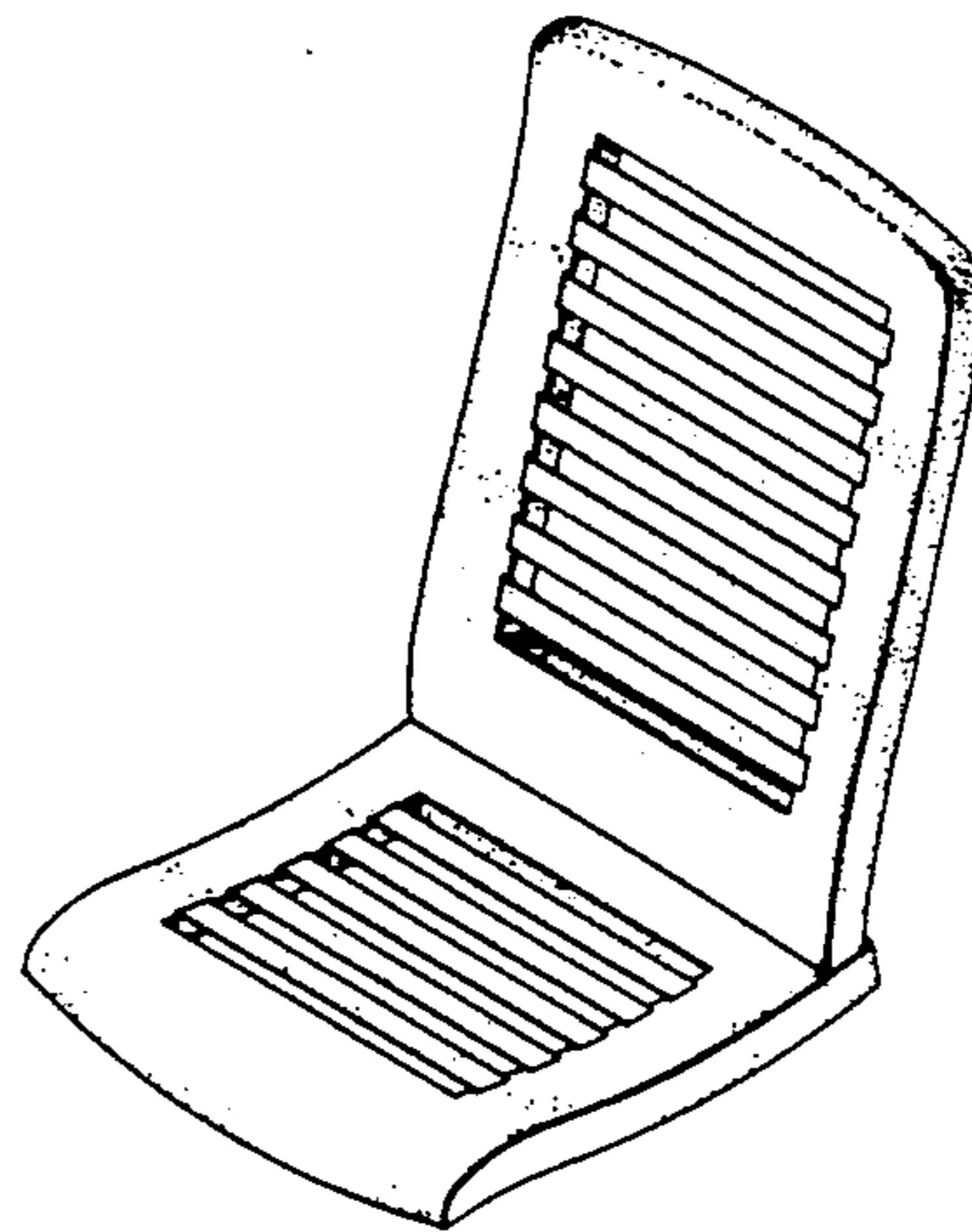
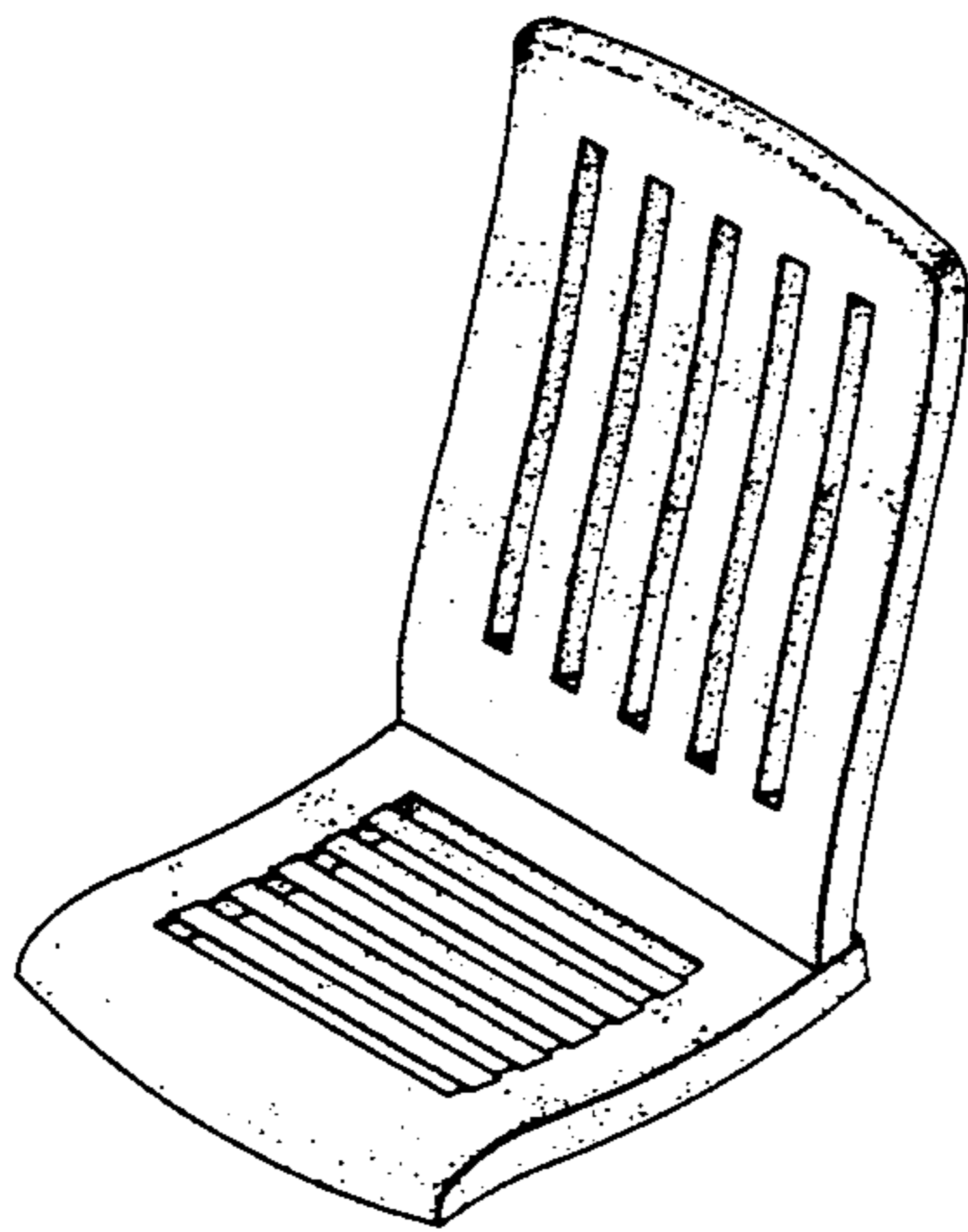


FIG. 6

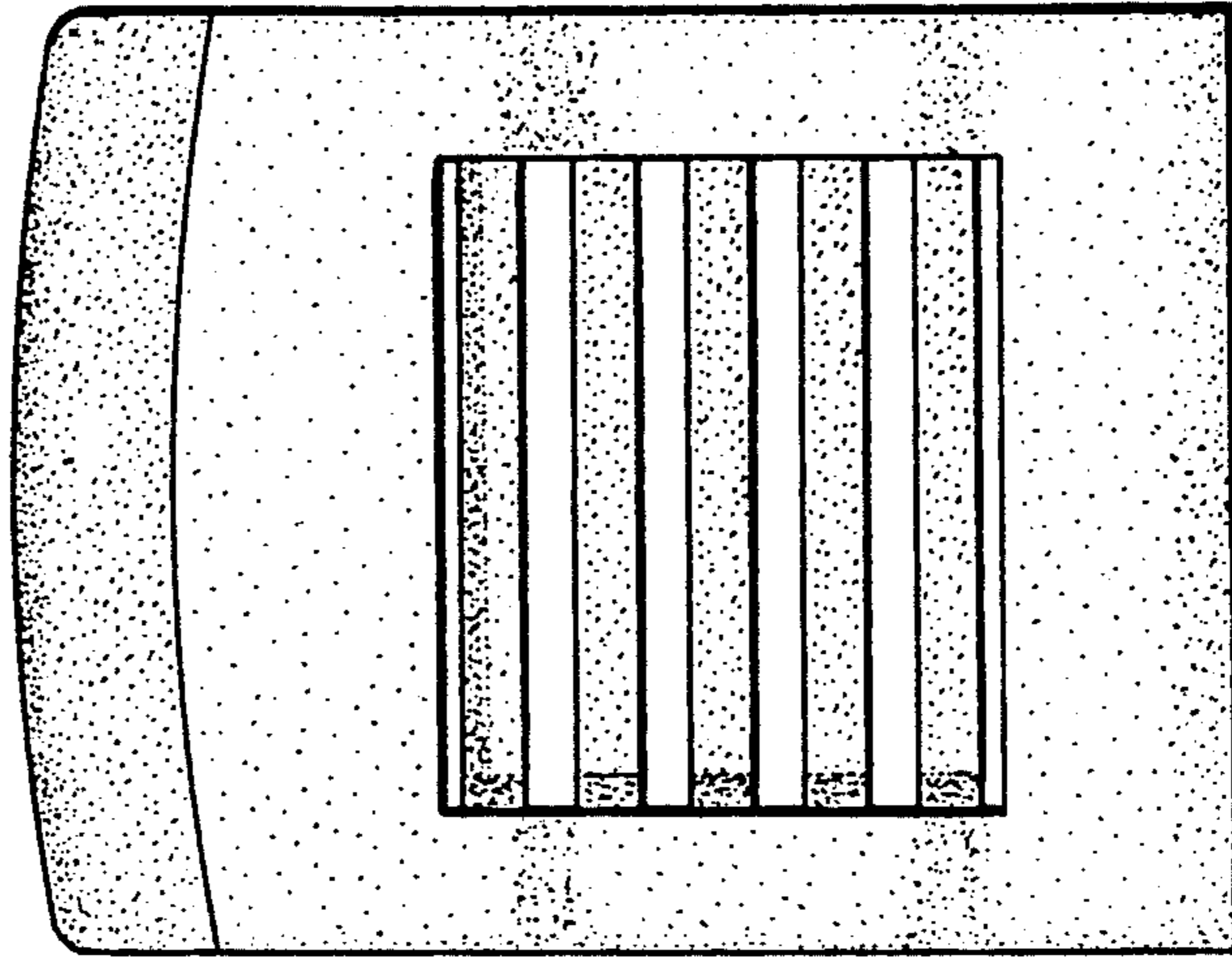


FIG. 1

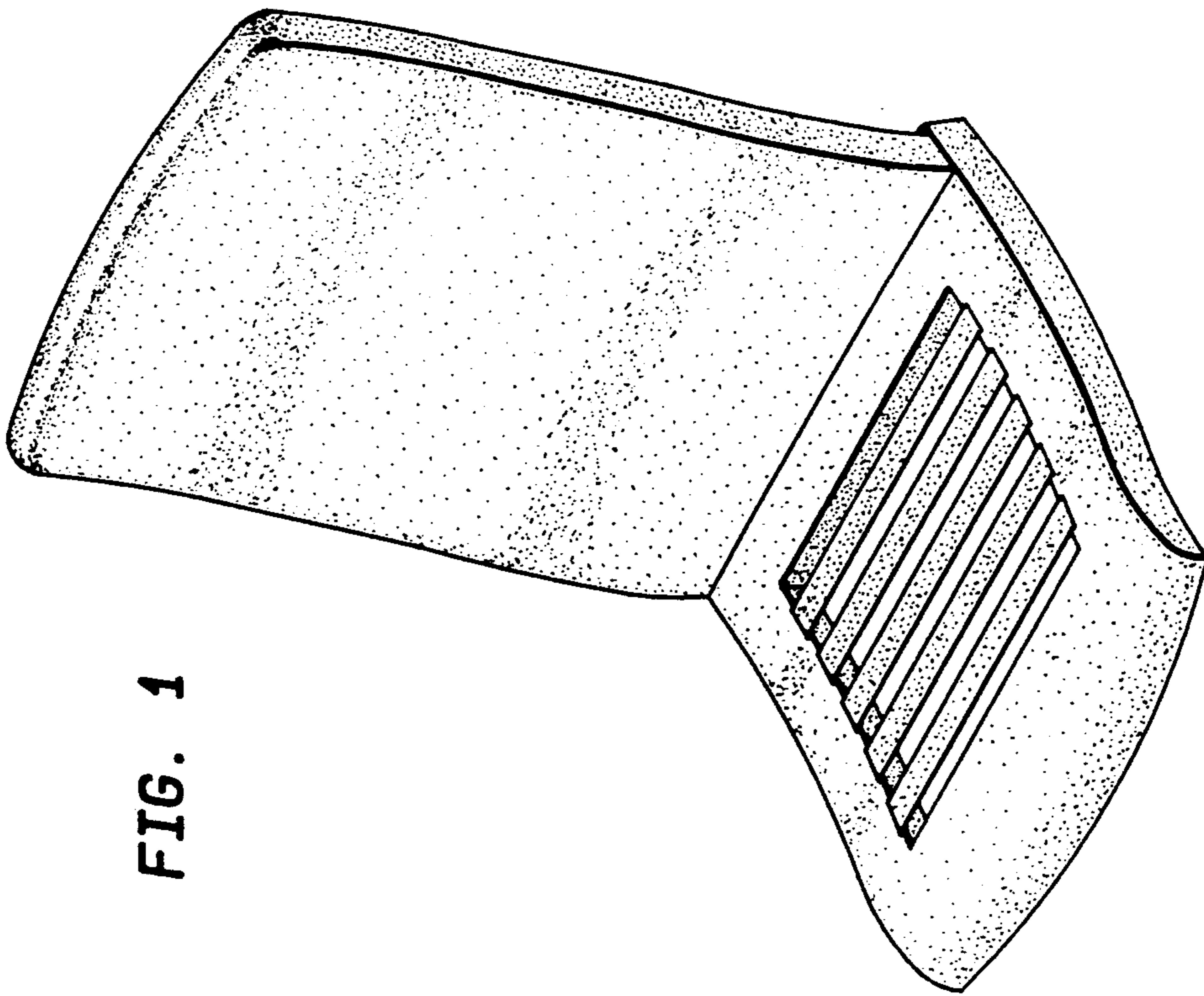


FIG. 3

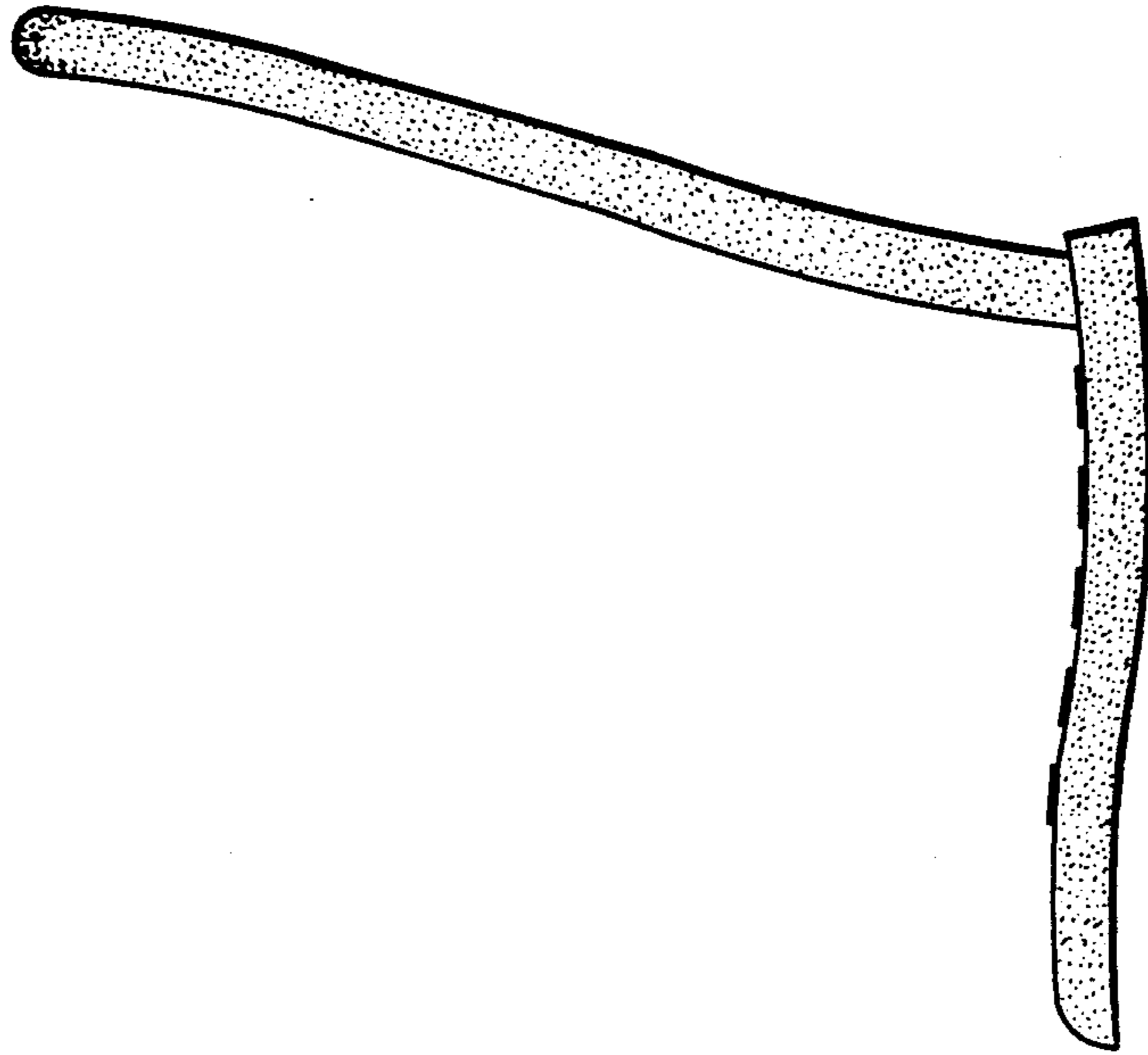


FIG. 2

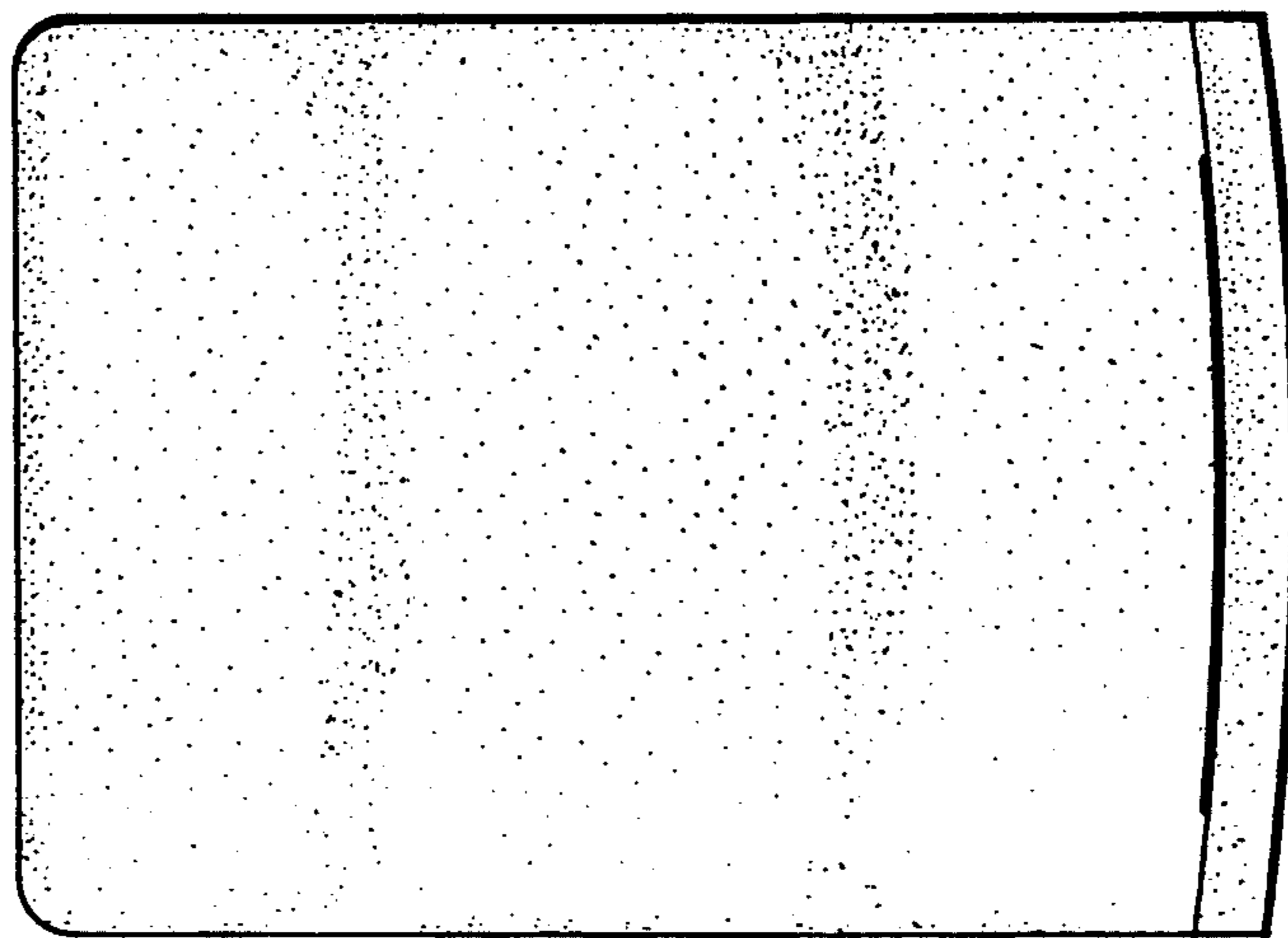


FIG. 5

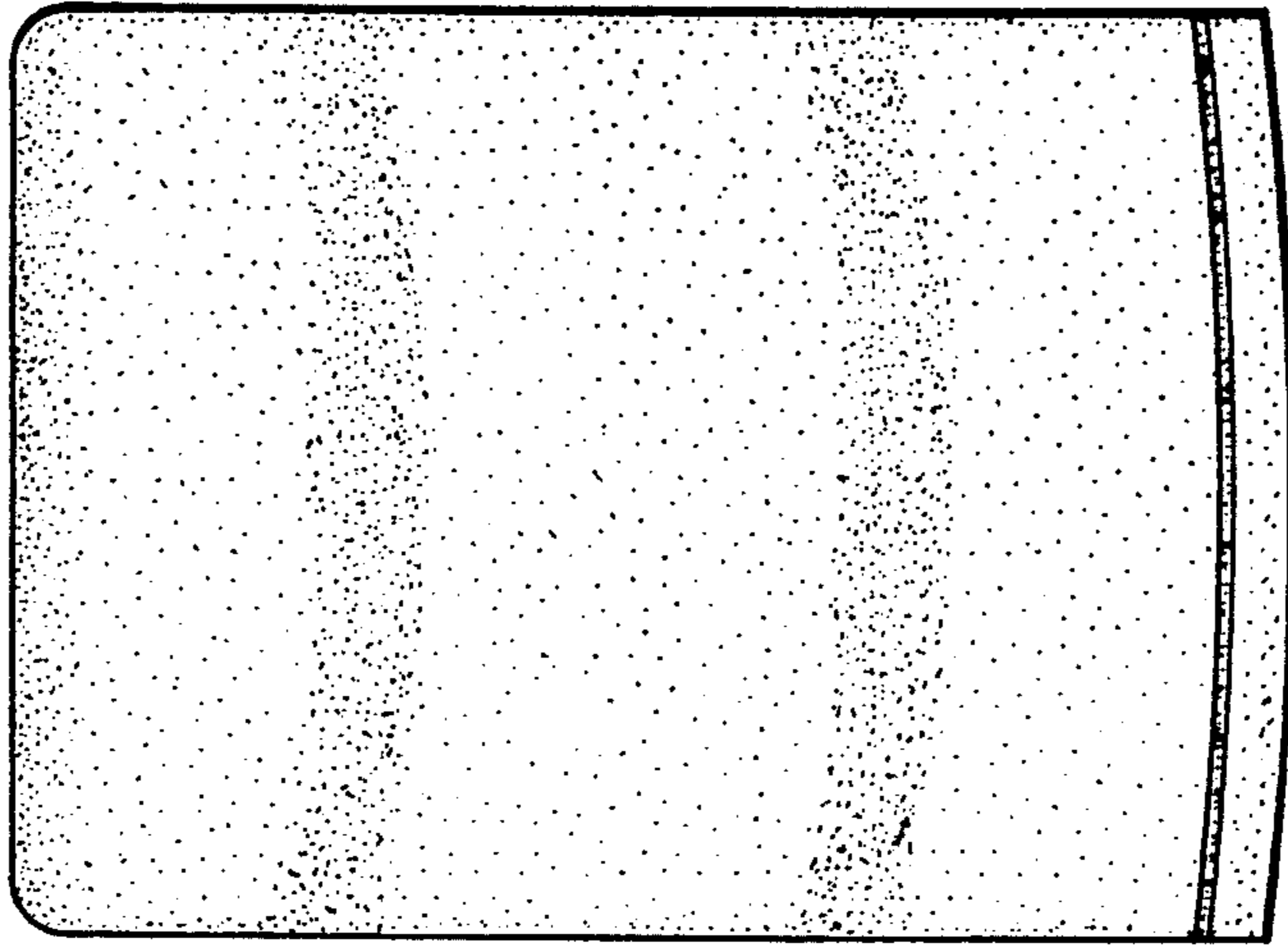


FIG. 4

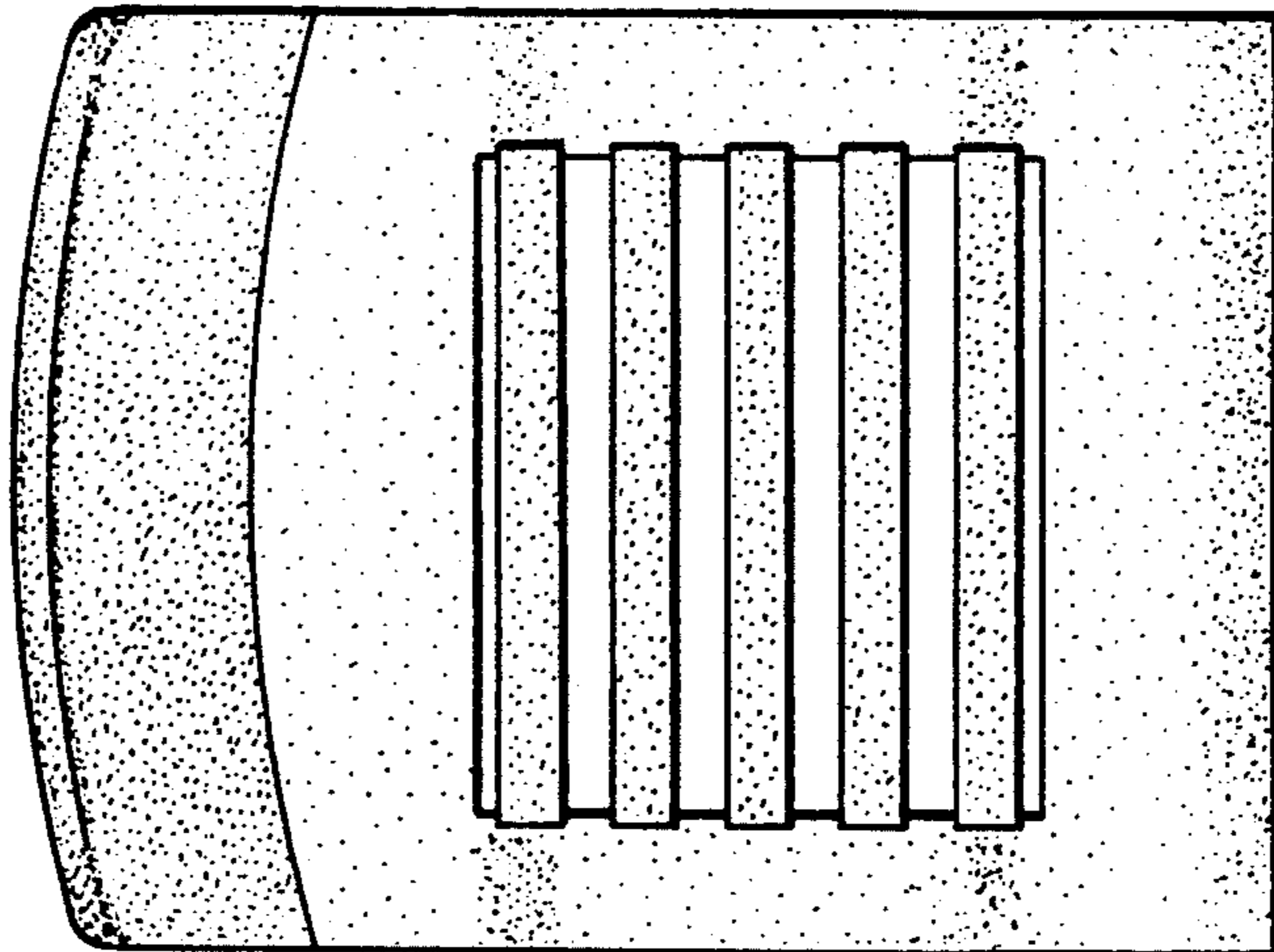


FIG. 12

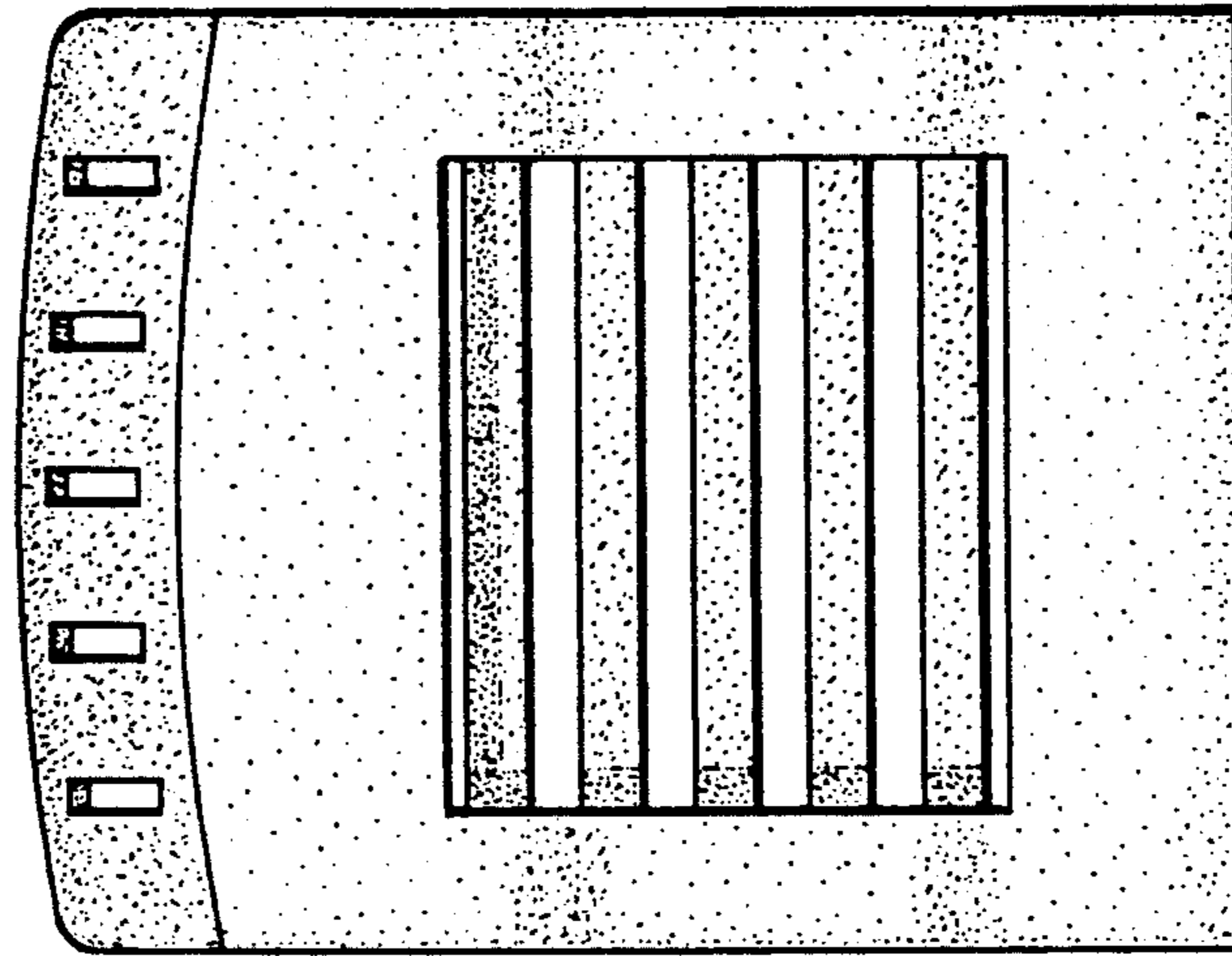


FIG. 7

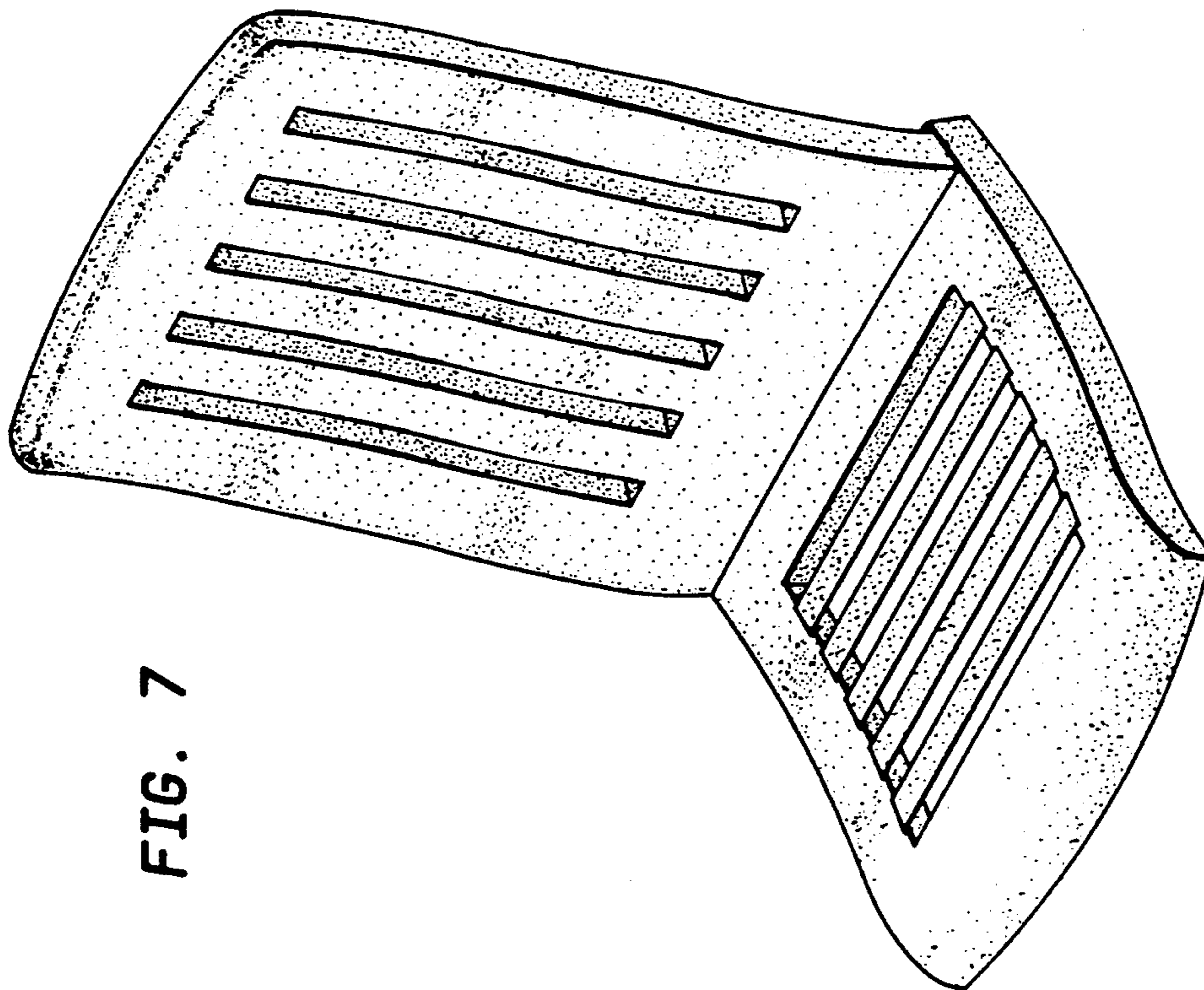


FIG. 9

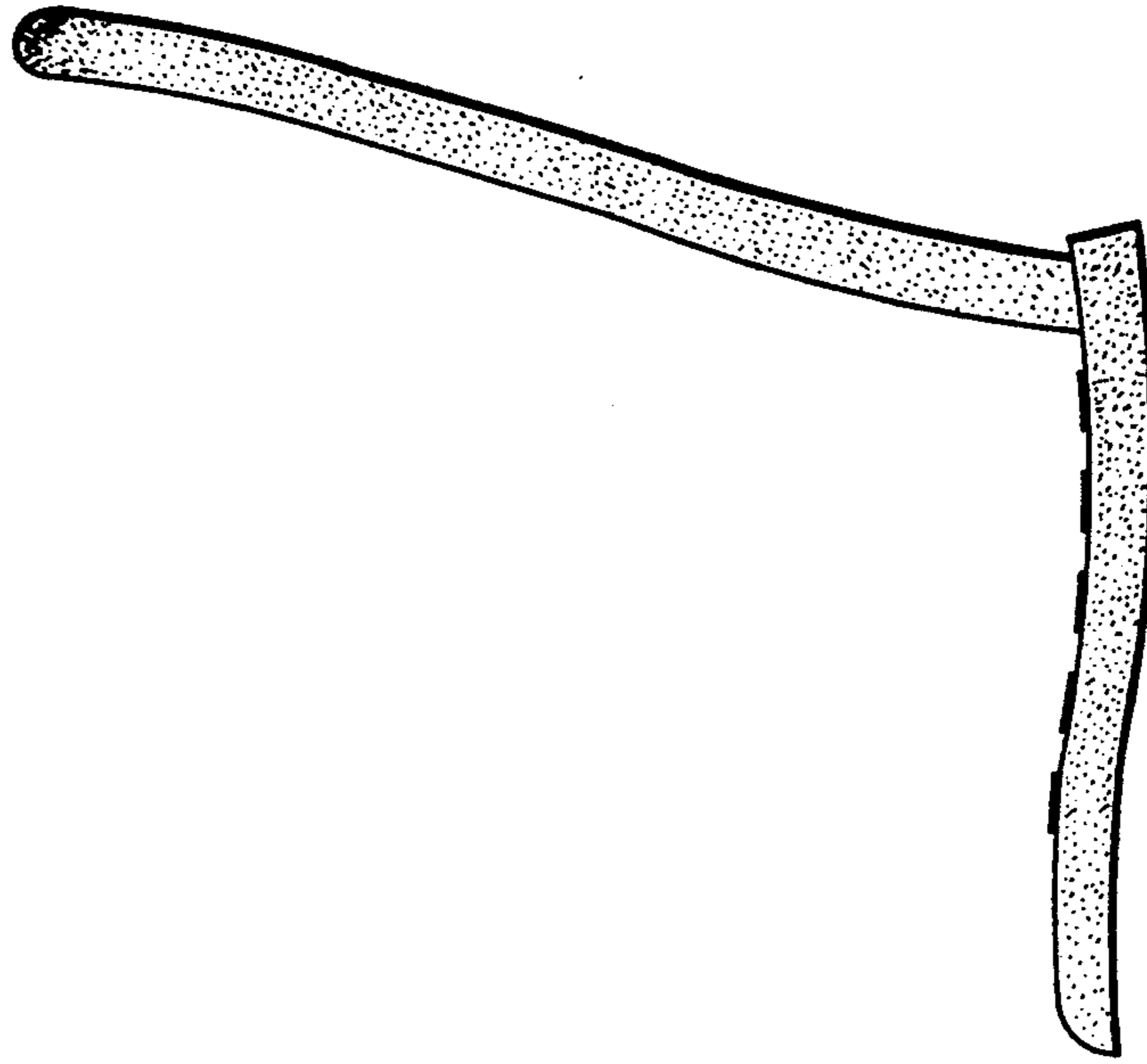


FIG. 8

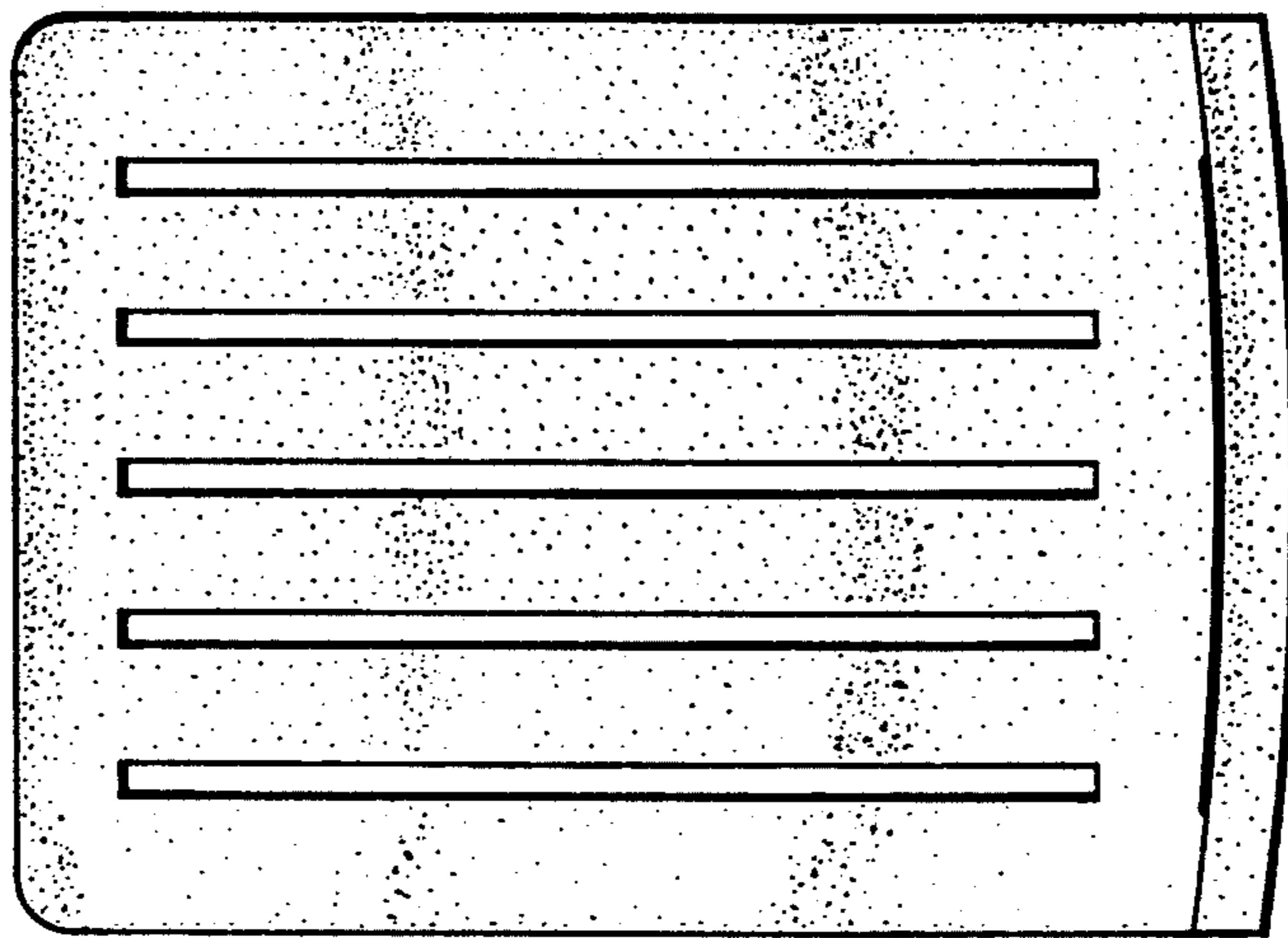


FIG. 11

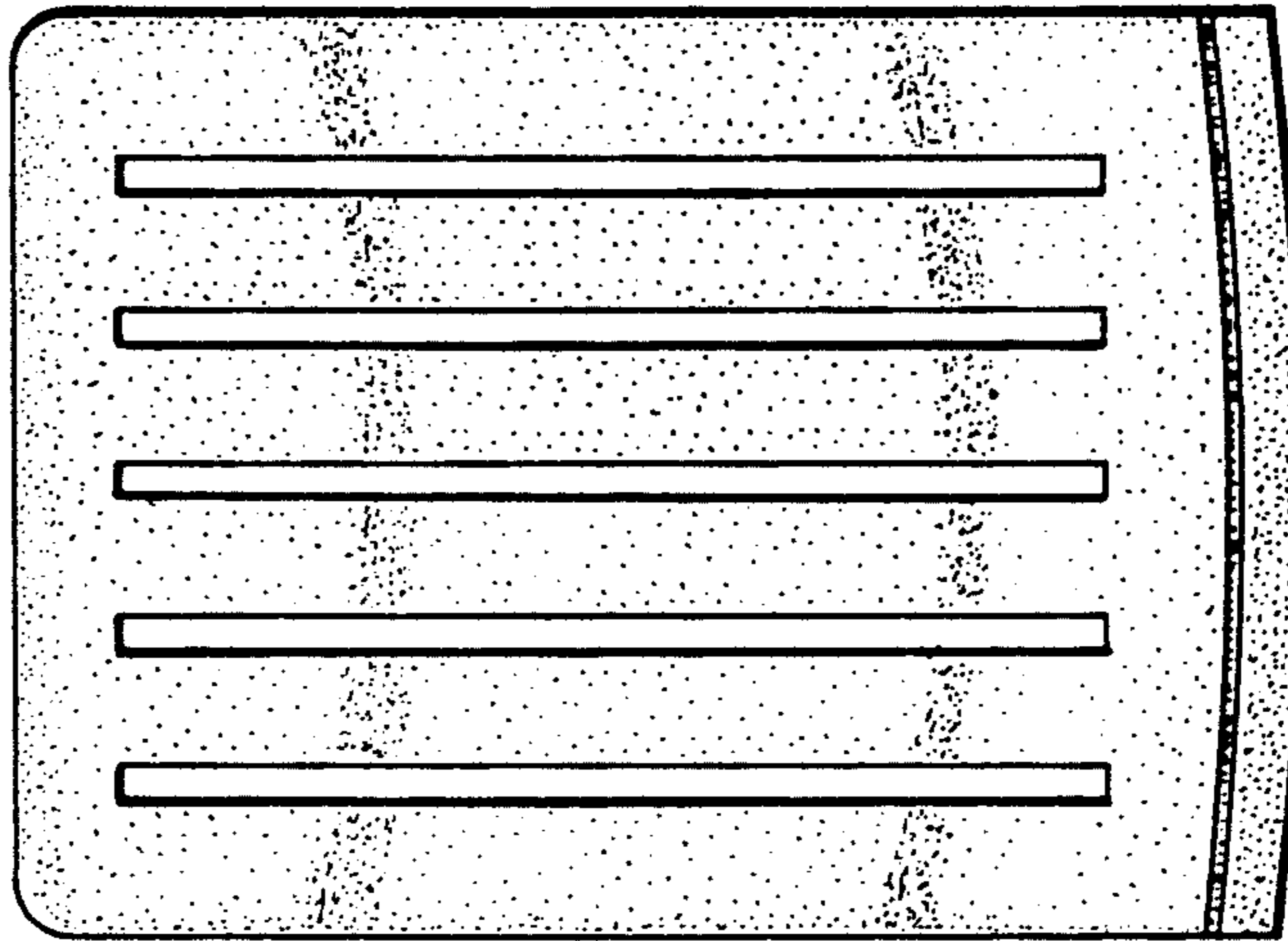


FIG. 10

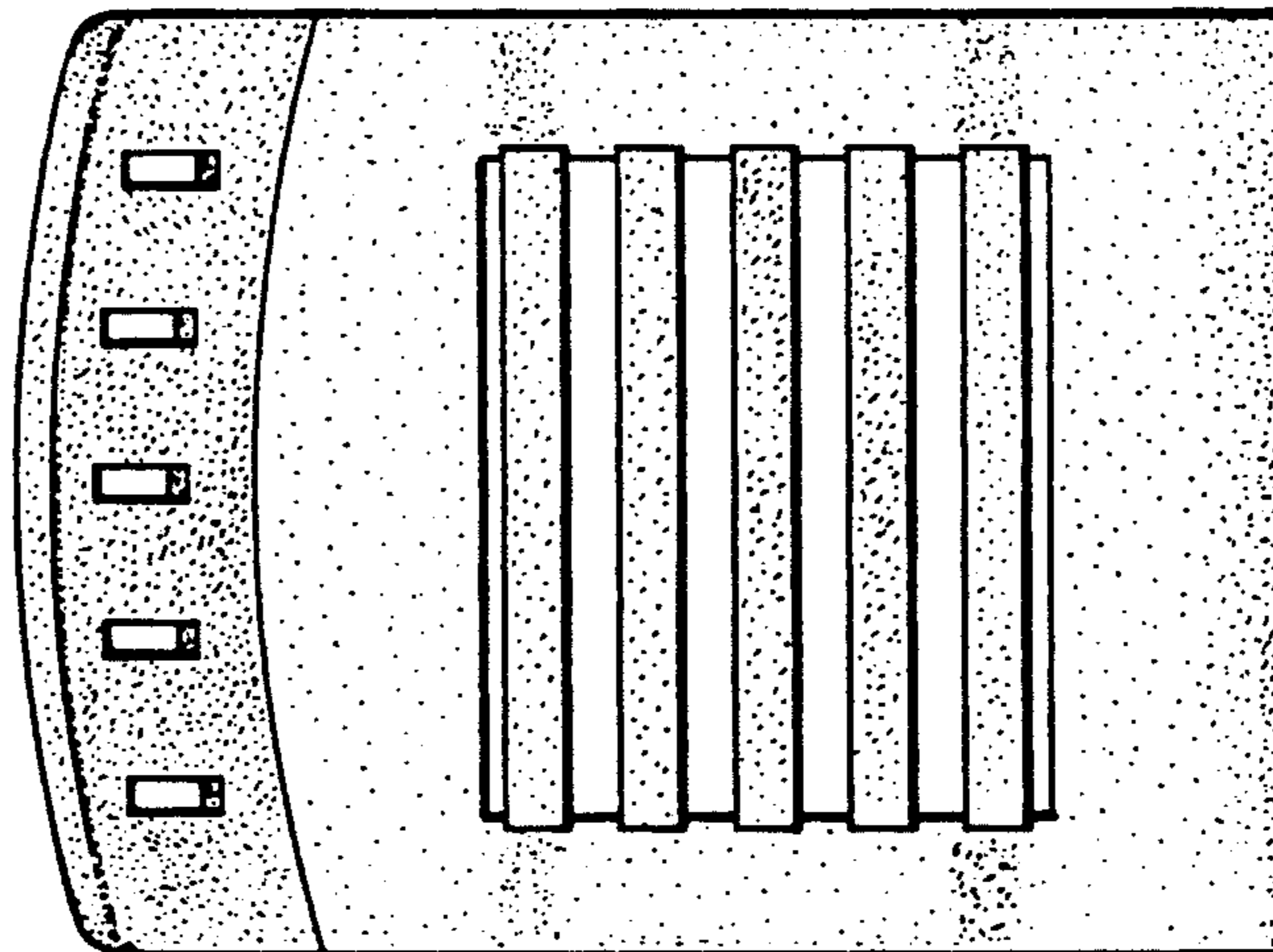


FIG. 18

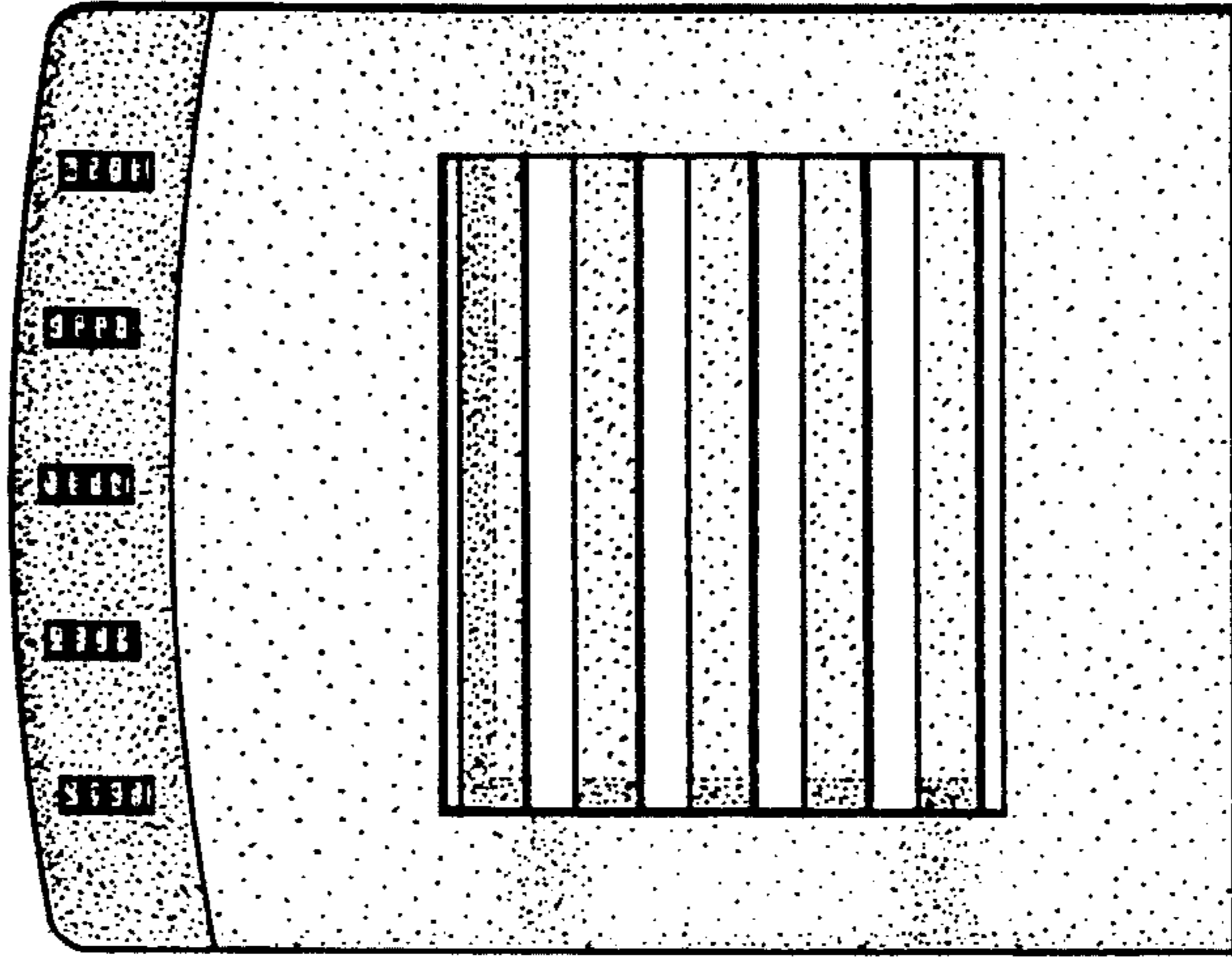


FIG. 13

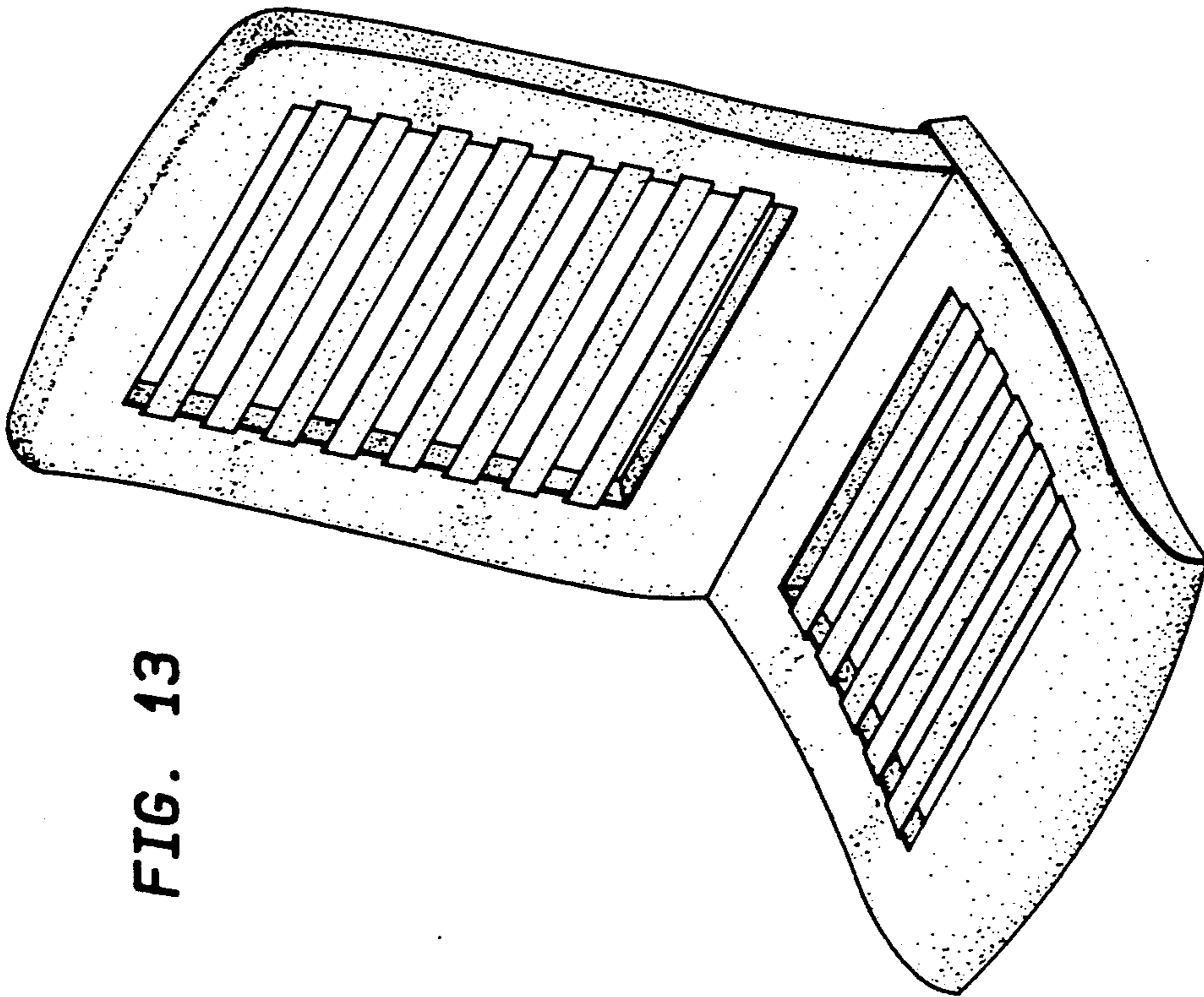




FIG. 15

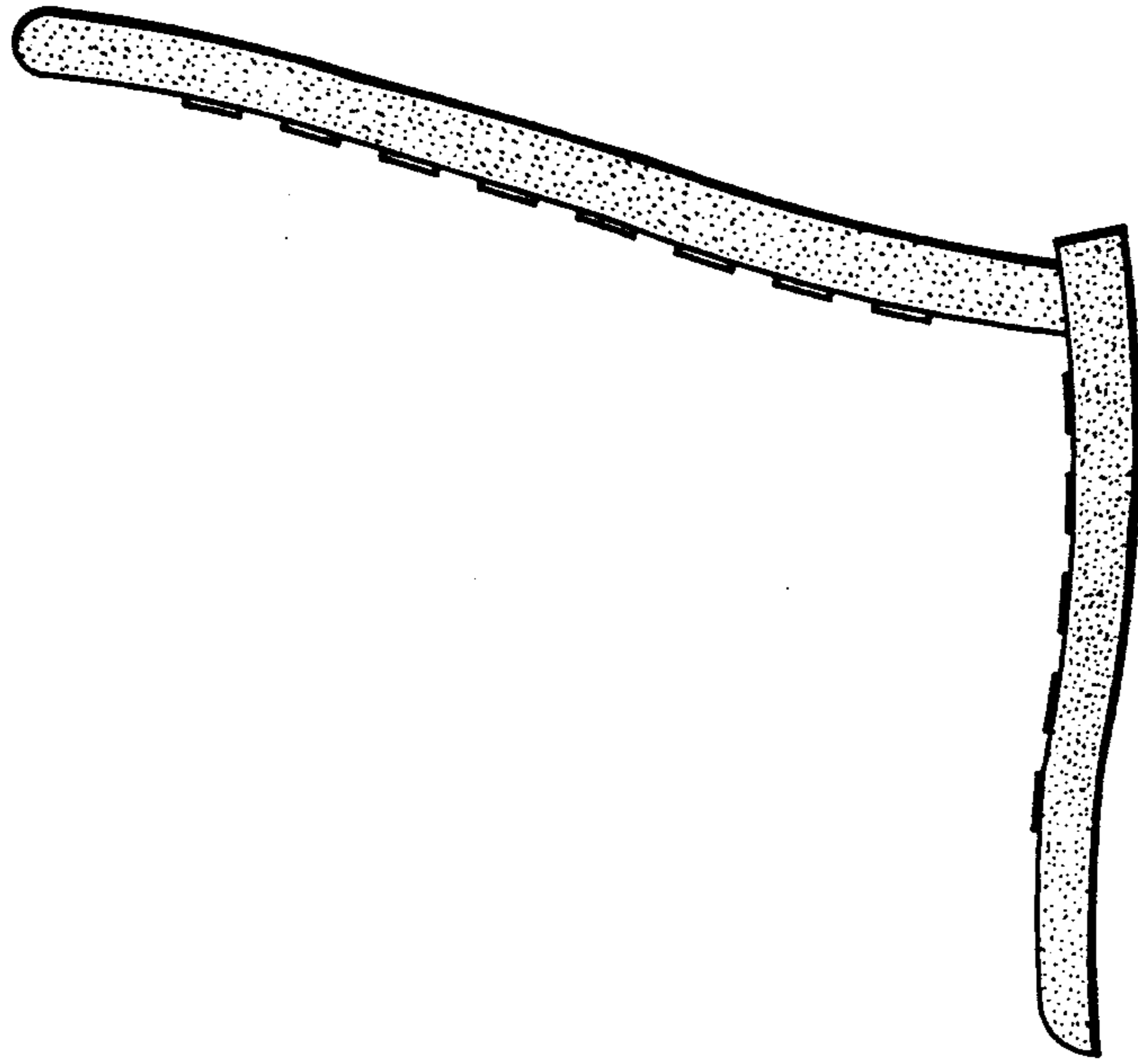


FIG. 14

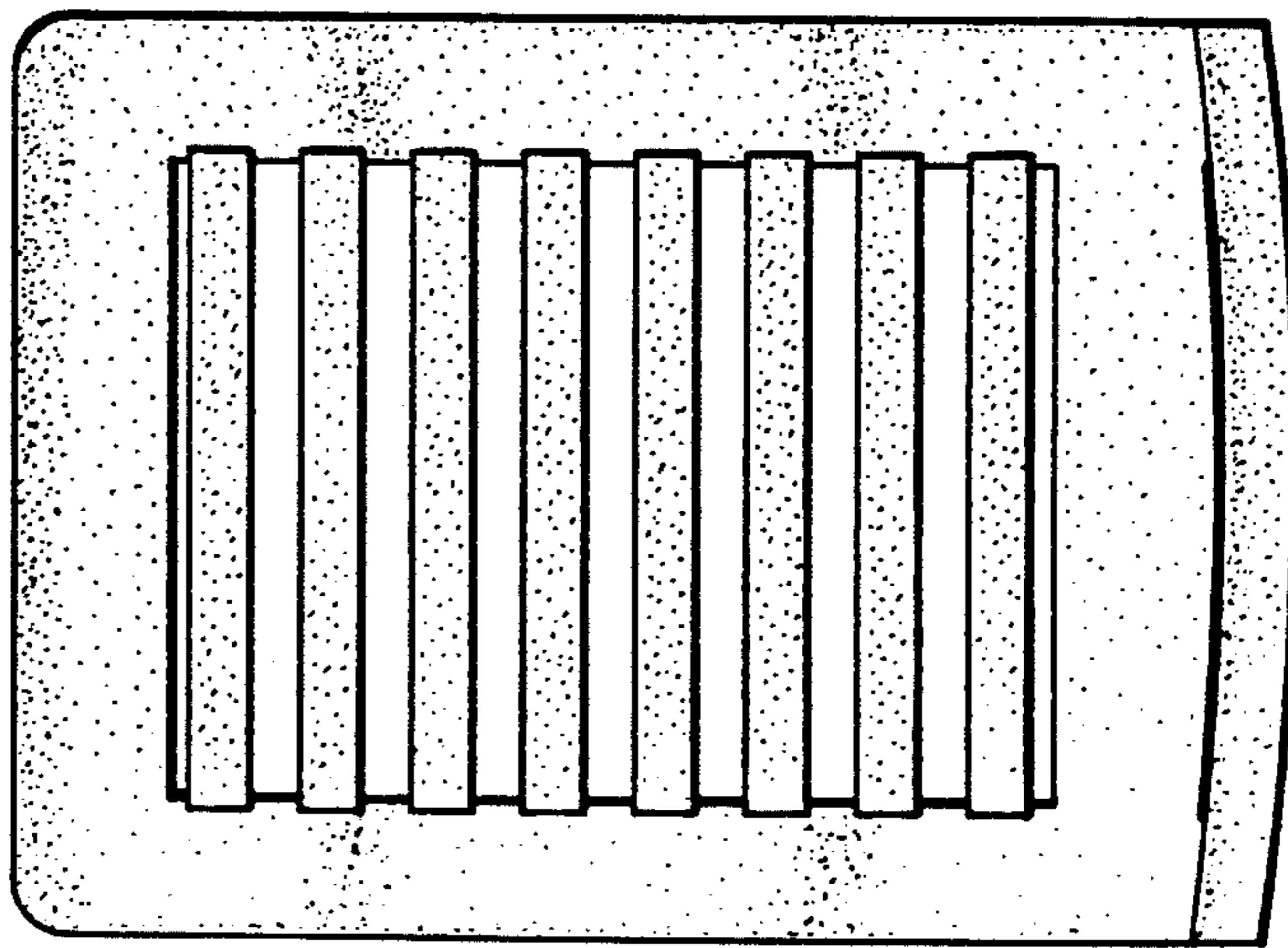


FIG. 17

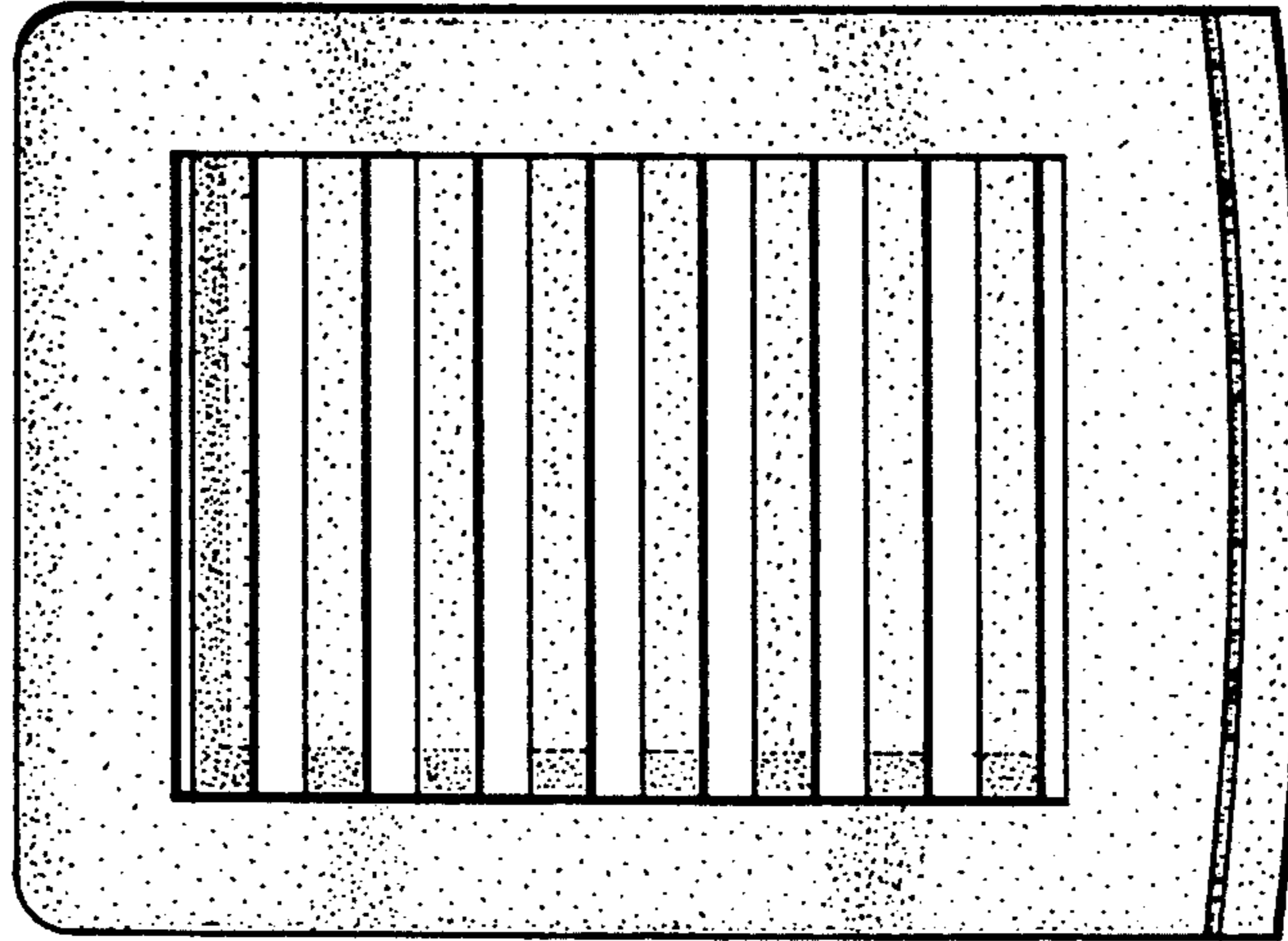


FIG. 16

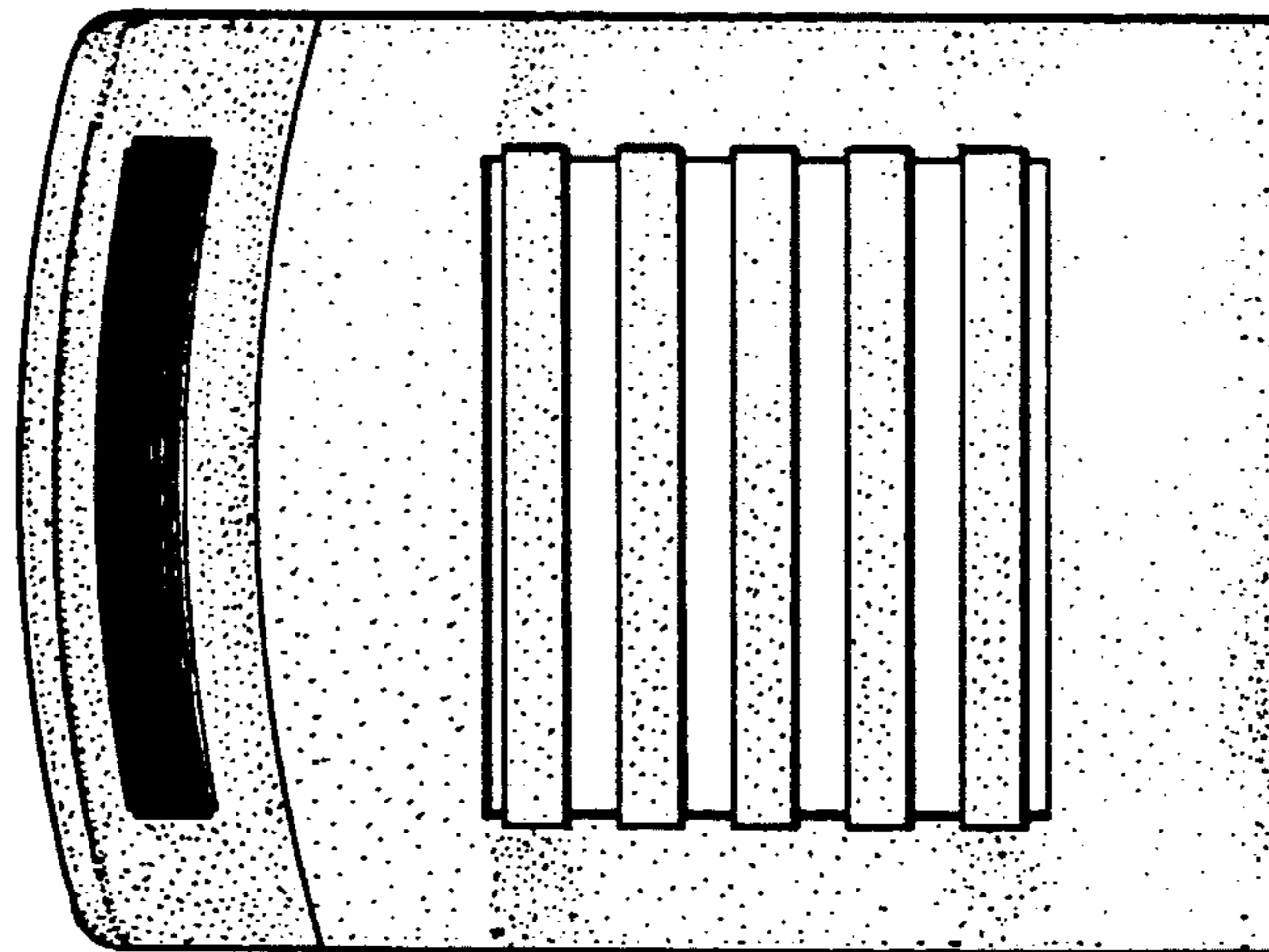


FIG. 24

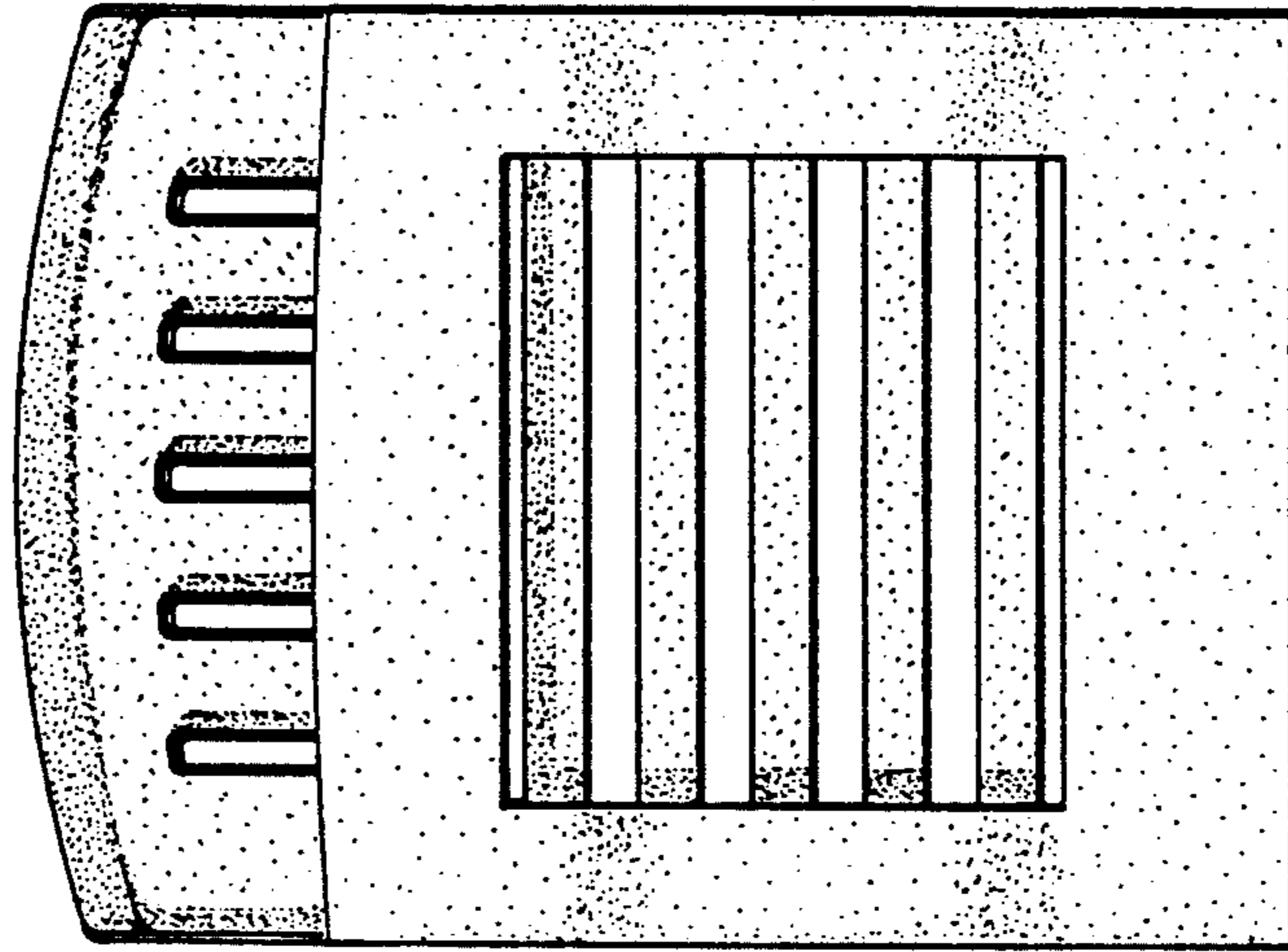


FIG. 19

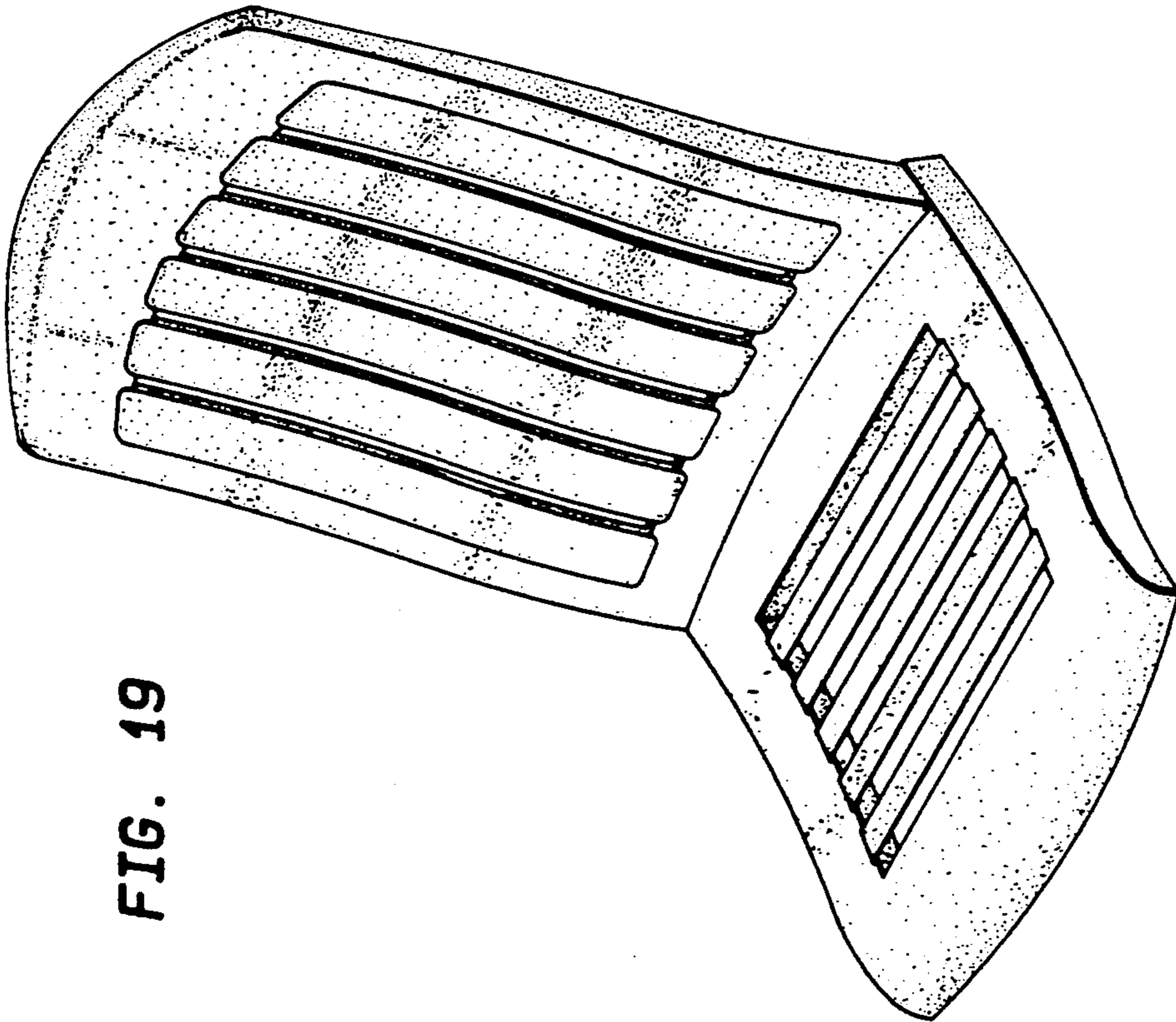


FIG. 21

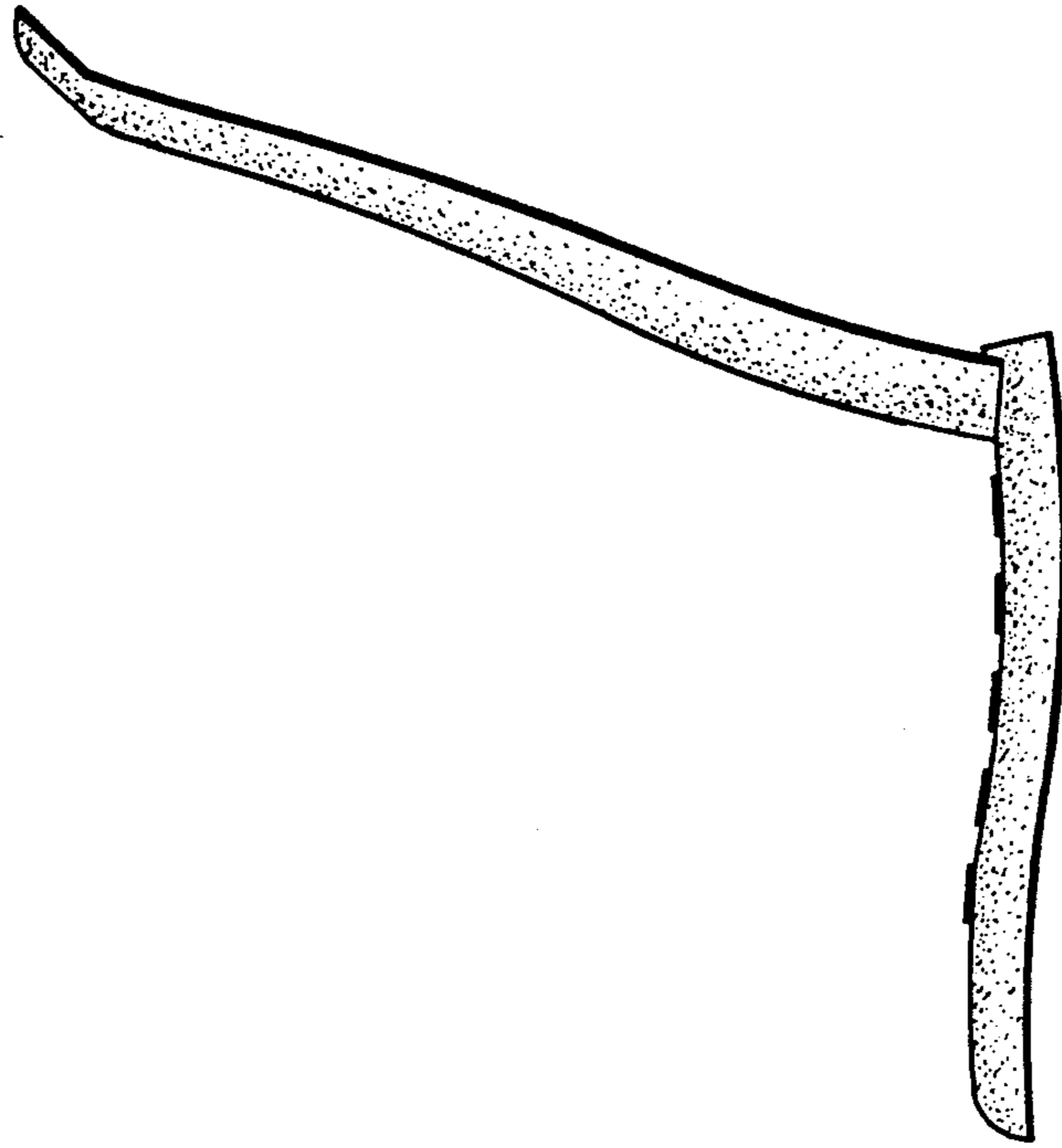


FIG. 20

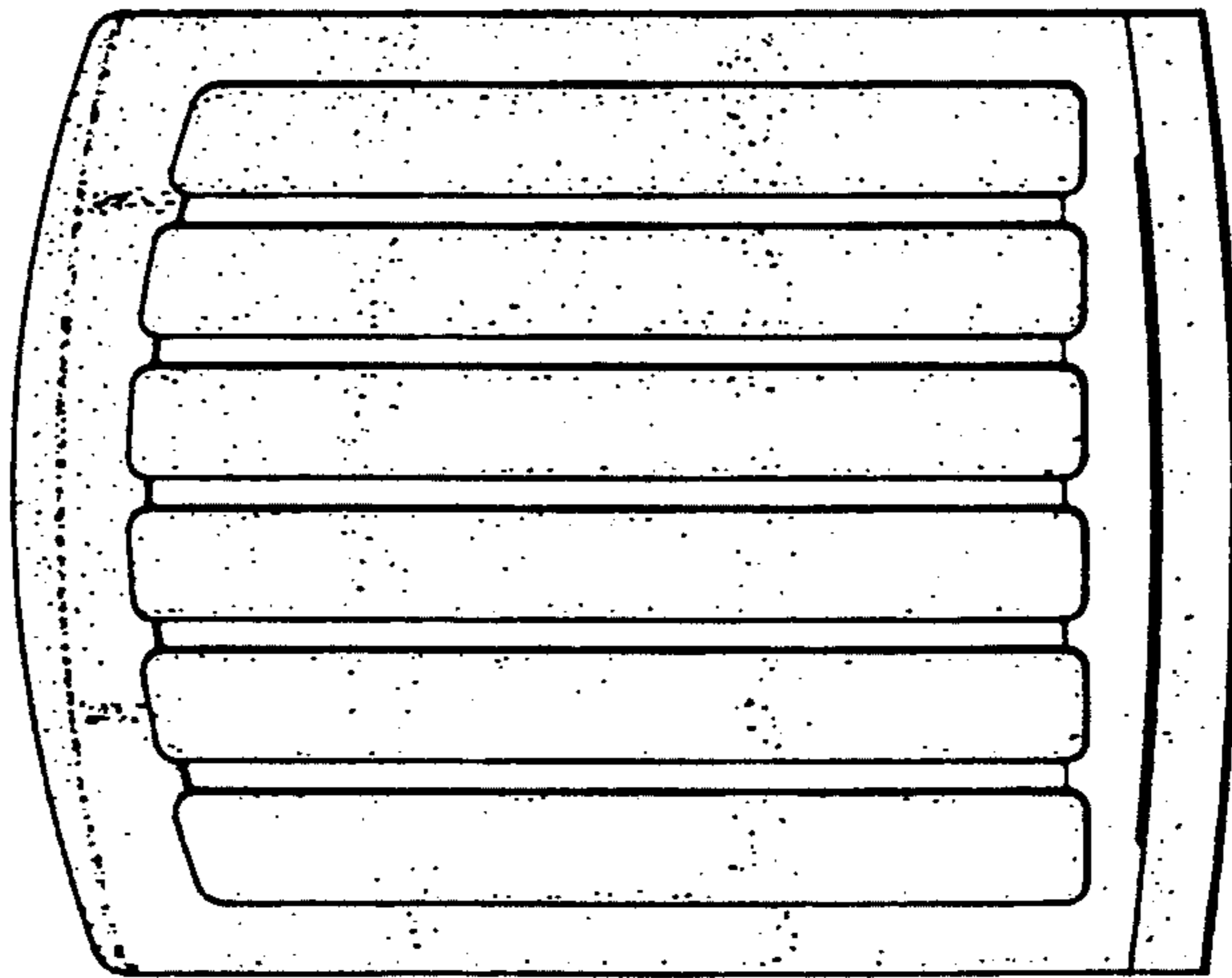


FIG. 23

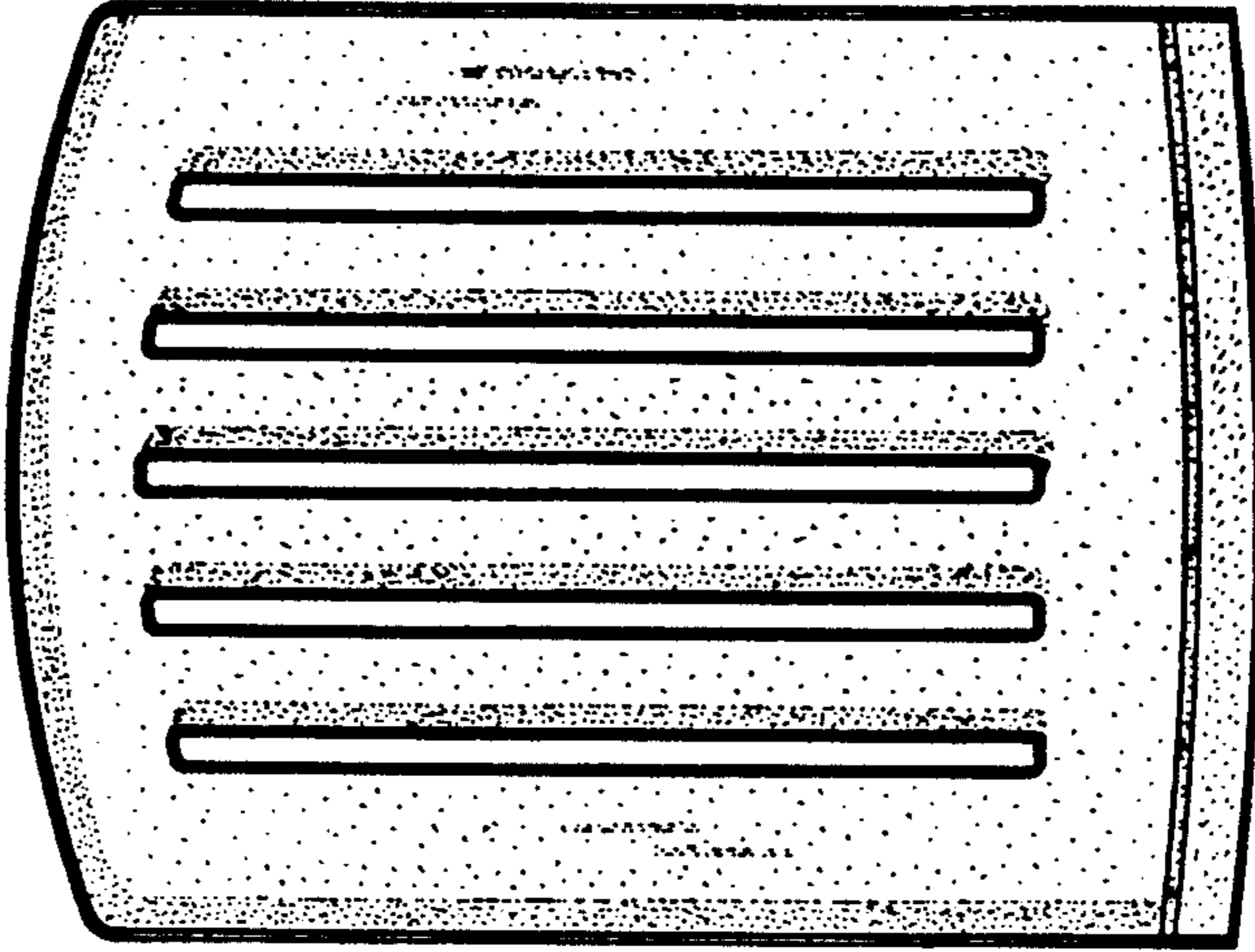


FIG. 22

