



US00D344198S

United States Patent [19]

[11] Patent Number: **Des. 344,198**

Weinberger

[45] Date of Patent: **** Feb. 15, 1994**

[54] **DESK**

[76] Inventor: **Edward D. Weinberger**, 411 W. End Ave., New York, N.Y. 10024

[**] Term: **14 Years**

[21] Appl. No.: **532,087**

[22] Filed: **Jun. 1, 1990**

[52] U.S. Cl. **D6/428**

[58] Field of Search **D6/422-428, D6/484, 480; 312/194-196, 208; 108/59, 60**

[56] **References Cited**

U.S. PATENT DOCUMENTS

D. 194,848	3/1963	Monteverdi	D6/427
D. 215,097	9/1969	Van der Meulen	D6/428
D. 218,833	9/1970	Woods	D6/428
D. 220,443	4/1971	Beavers	D6/428
D. 227,061	6/1973	Sobczak	D6/422
D. 227,328	6/1973	Viovanni	D6/426
D. 255,737	7/1980	Gayeski	D6/427 X
D. 273,449	4/1984	Wieczorek	D6/426
1,293,952	2/1919	Shirley	312/208

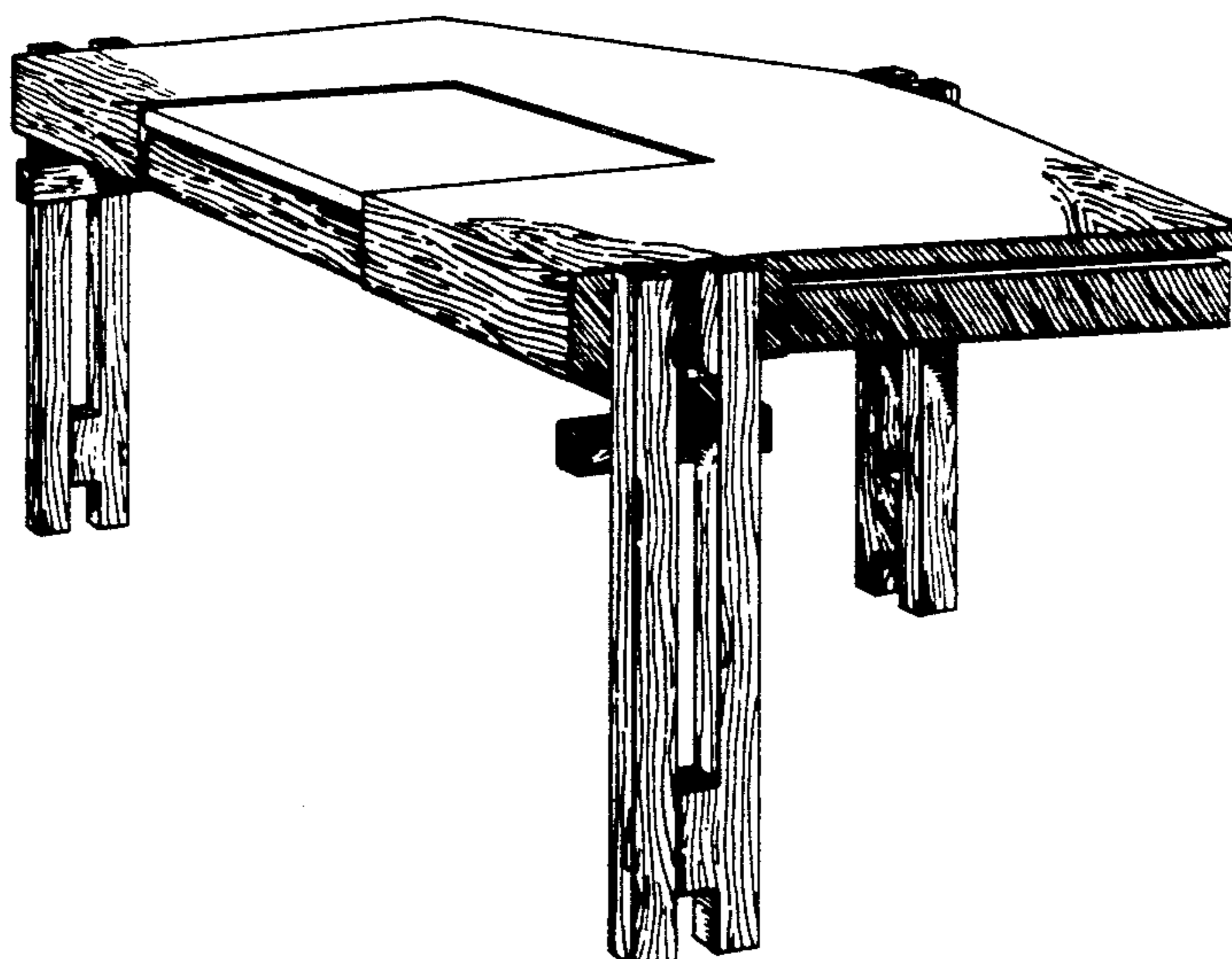
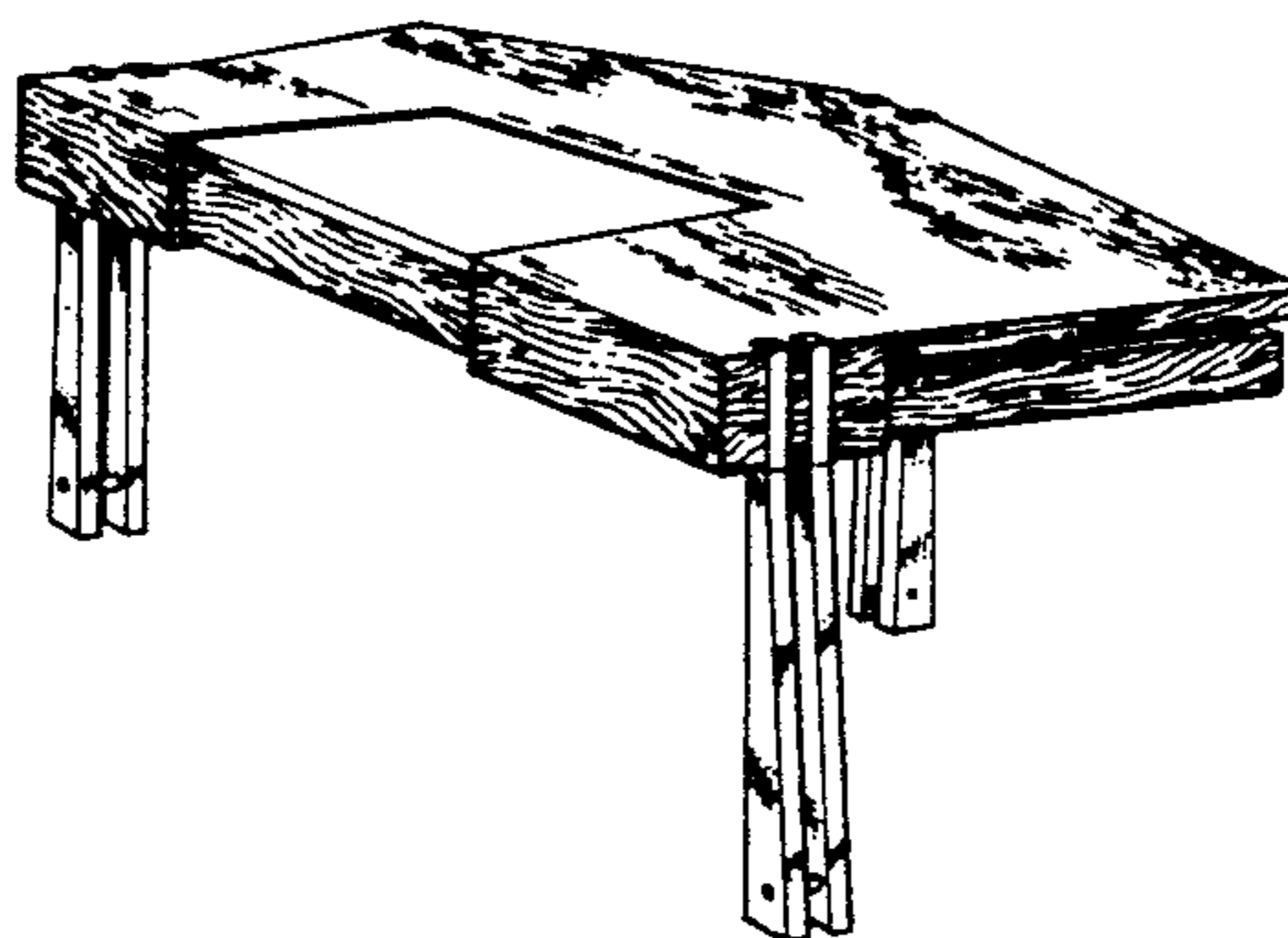
Primary Examiner—Carmen H. Vales-Lado
Attorney, Agent, or Firm—Thomas A. O'Rourke

[57] **CLAIM**

The ornamental design for a desk, as shown and described.

DESCRIPTION

FIG. 1 is a front perspective view of a desk showing my new design;
 FIG. 2 is a rear perspective view thereof;
 FIG. 3 is a front and right side perspective view thereof;
 FIG. 4 is a right side perspective view thereof;
 FIG. 5 is a rear perspective view thereof;
 FIG. 6 is a fragmentary top perspective view of a leg;
 FIG. 7 is a second fragmentary top perspective view of the leg shown in FIG. 6;
 FIG. 8 is an enlarged side perspective view of the leg of FIG. 6;
 FIG. 9 is a front and right side perspective view of a second embodiment of the desk shown in FIG. 1;
 FIG. 10 is a rear perspective view thereof;
 FIG. 11 is a top perspective view of a third embodiment of the desk shown in FIG. 1; and,
 FIG. 12 is a rear perspective view thereof.



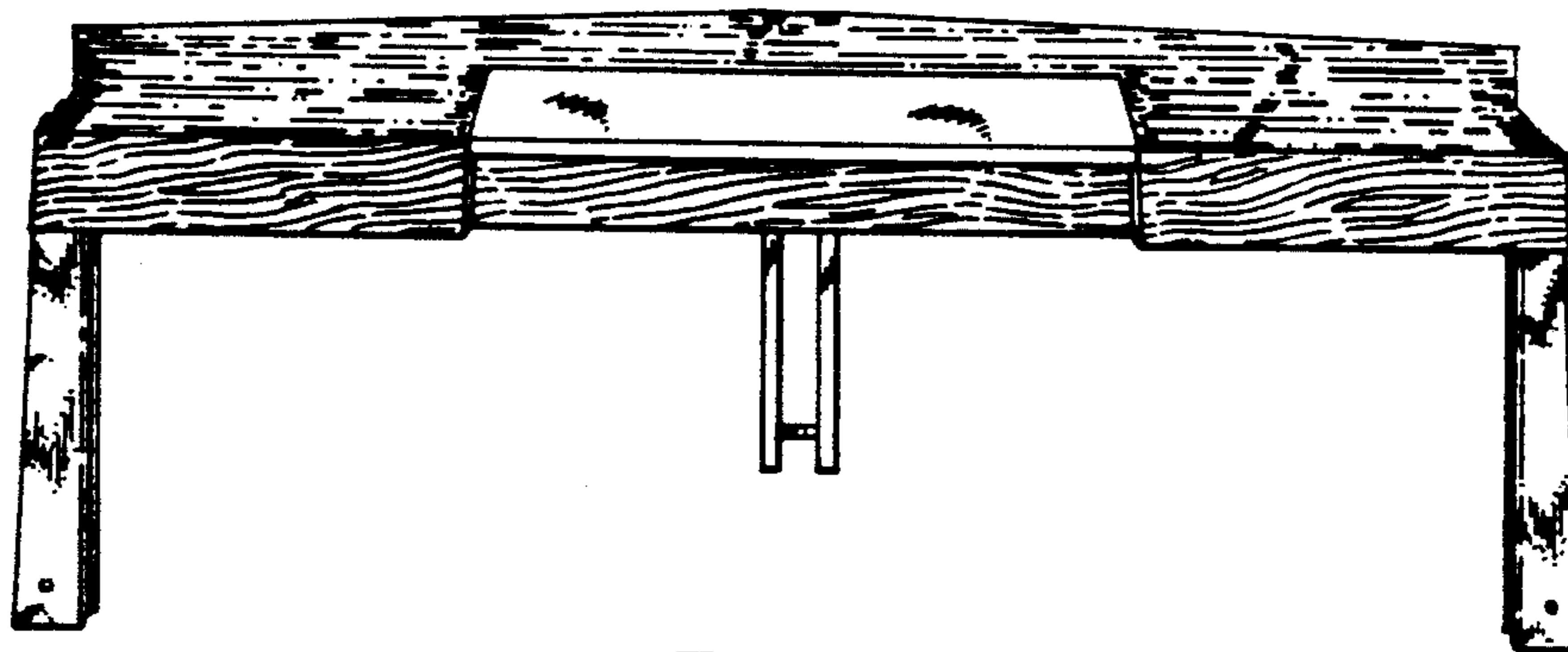


FIG. 1

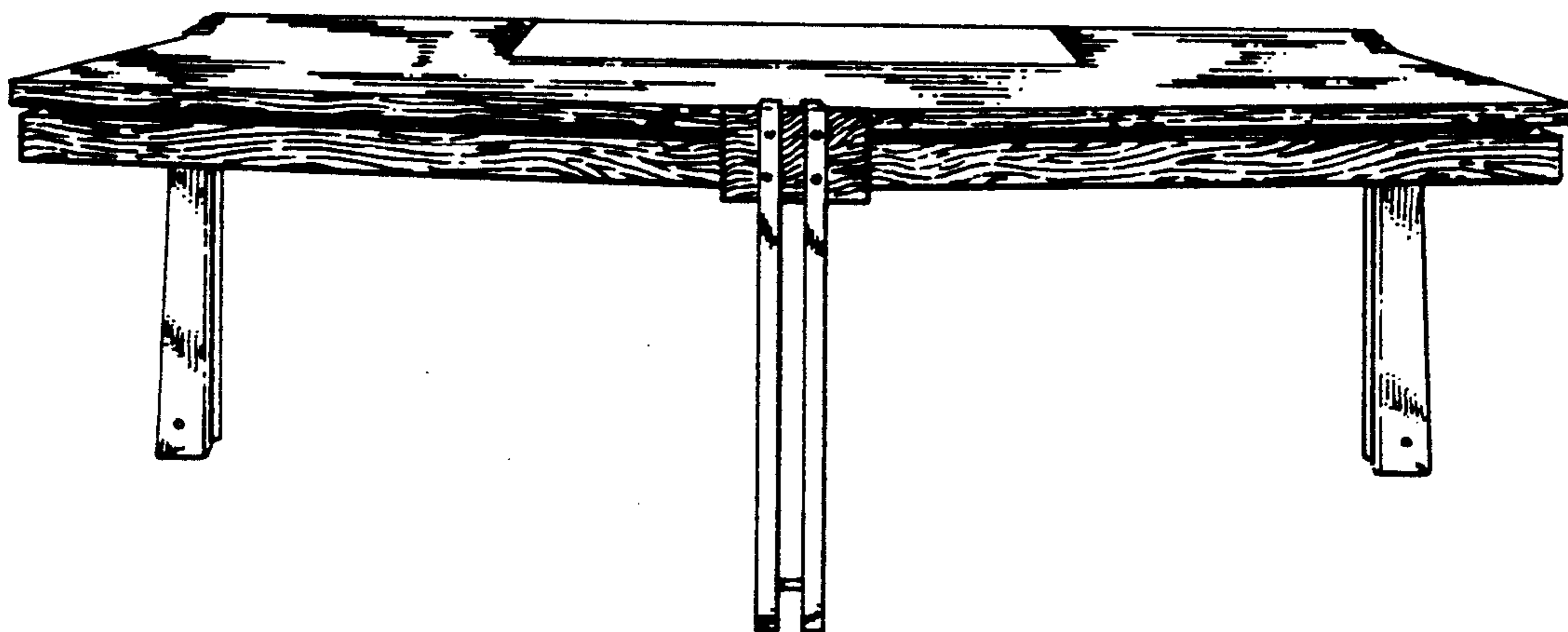


FIG. 2

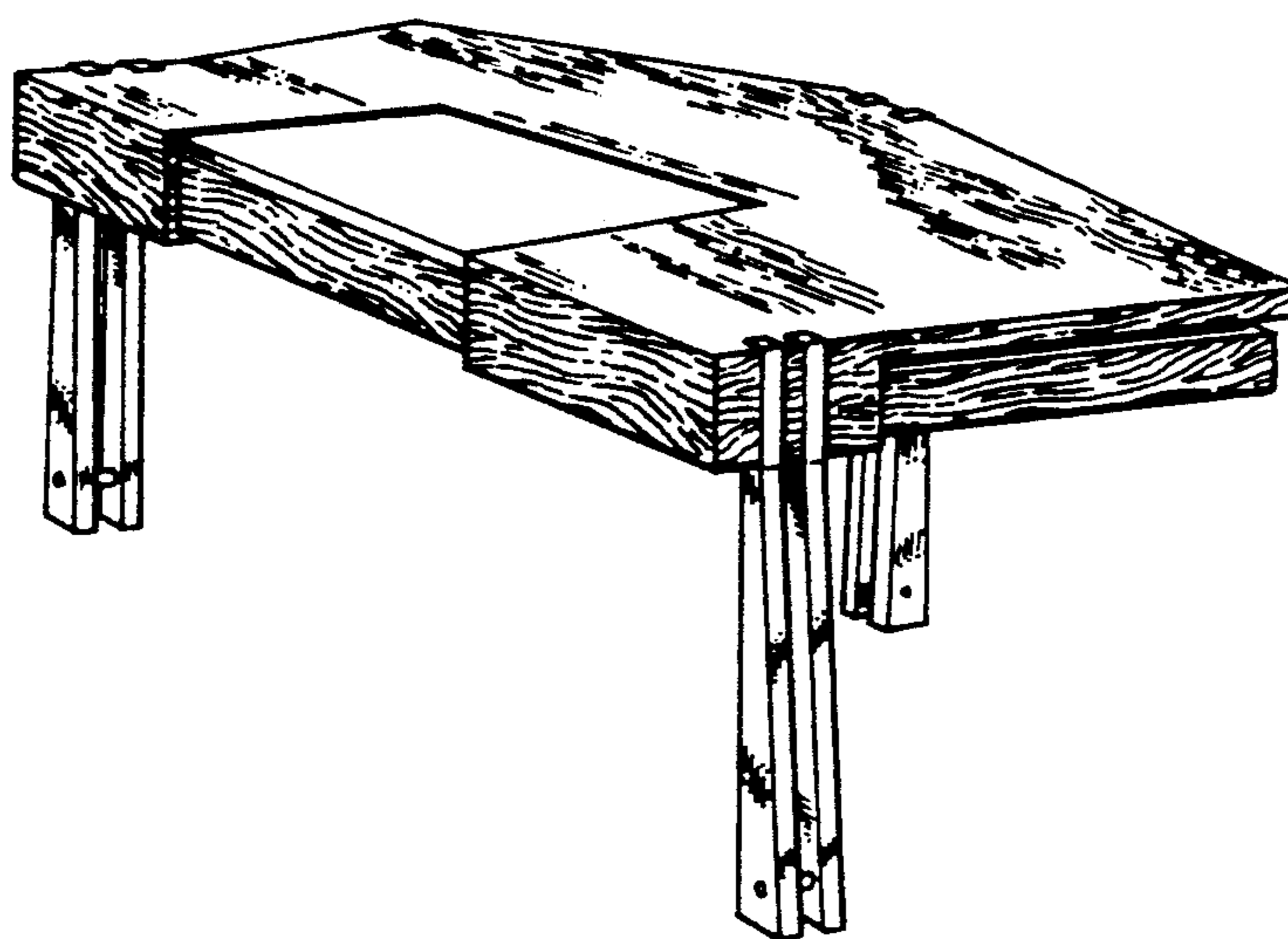


FIG. 3

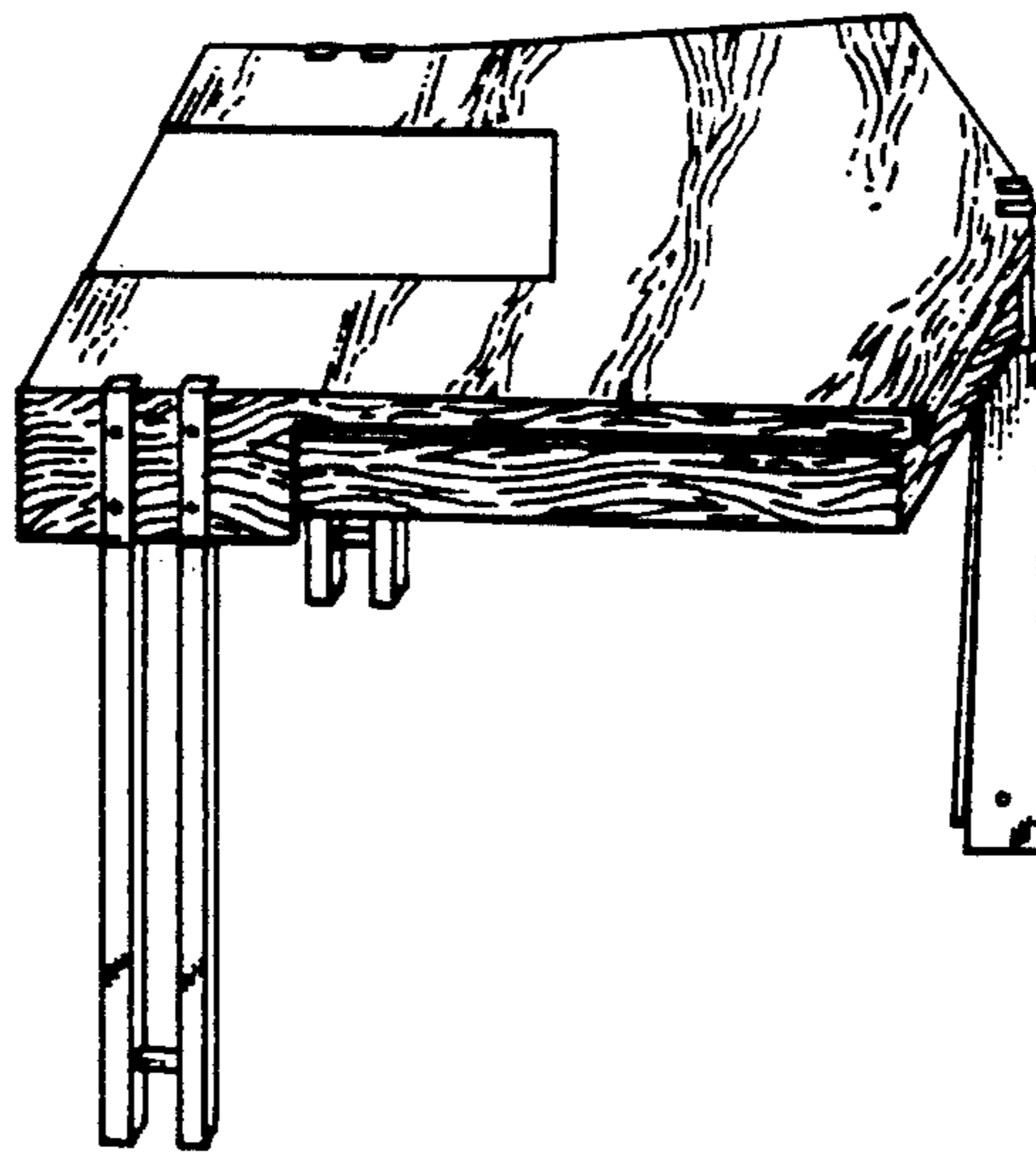


FIG. 4

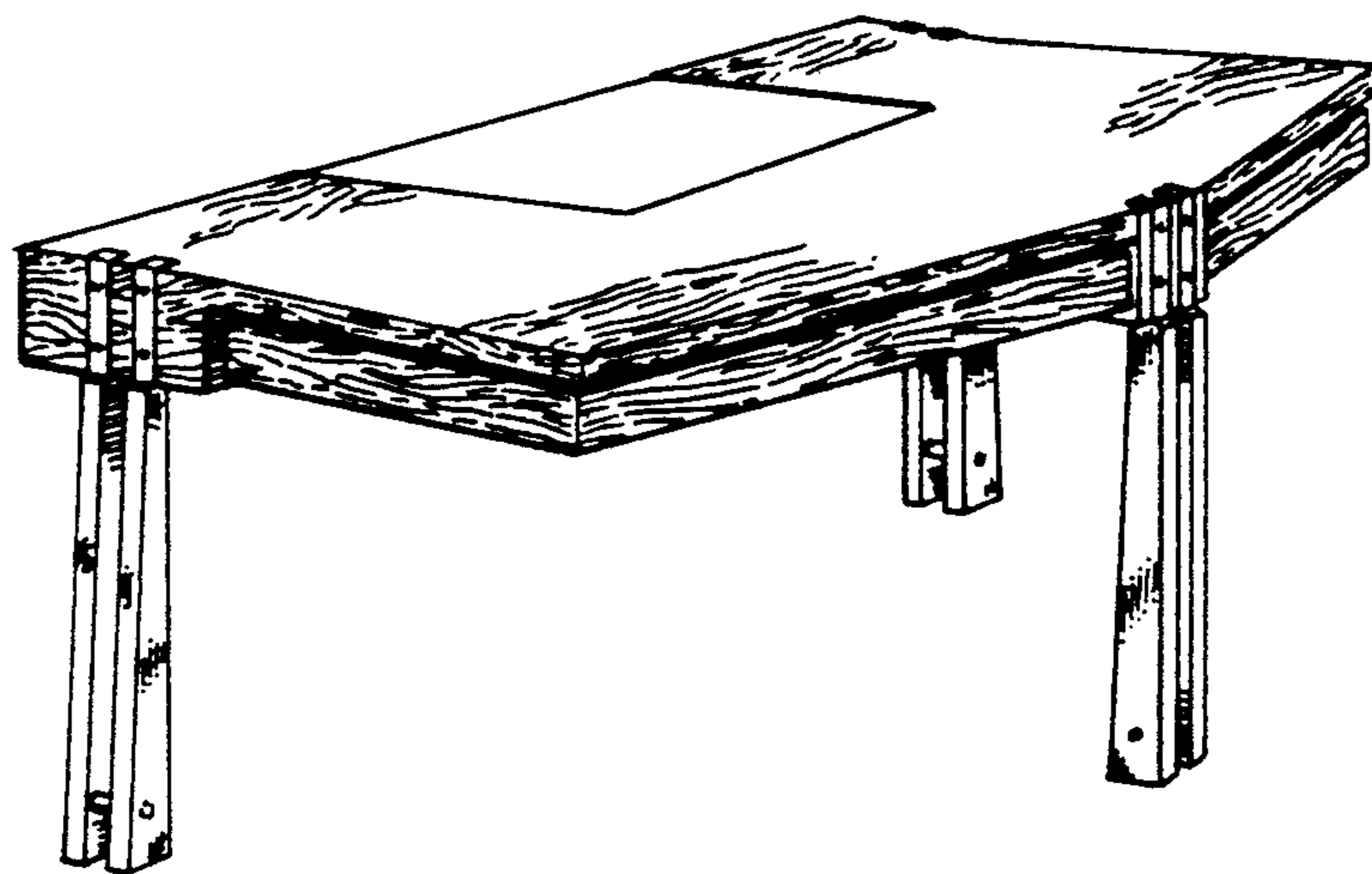


FIG. 5

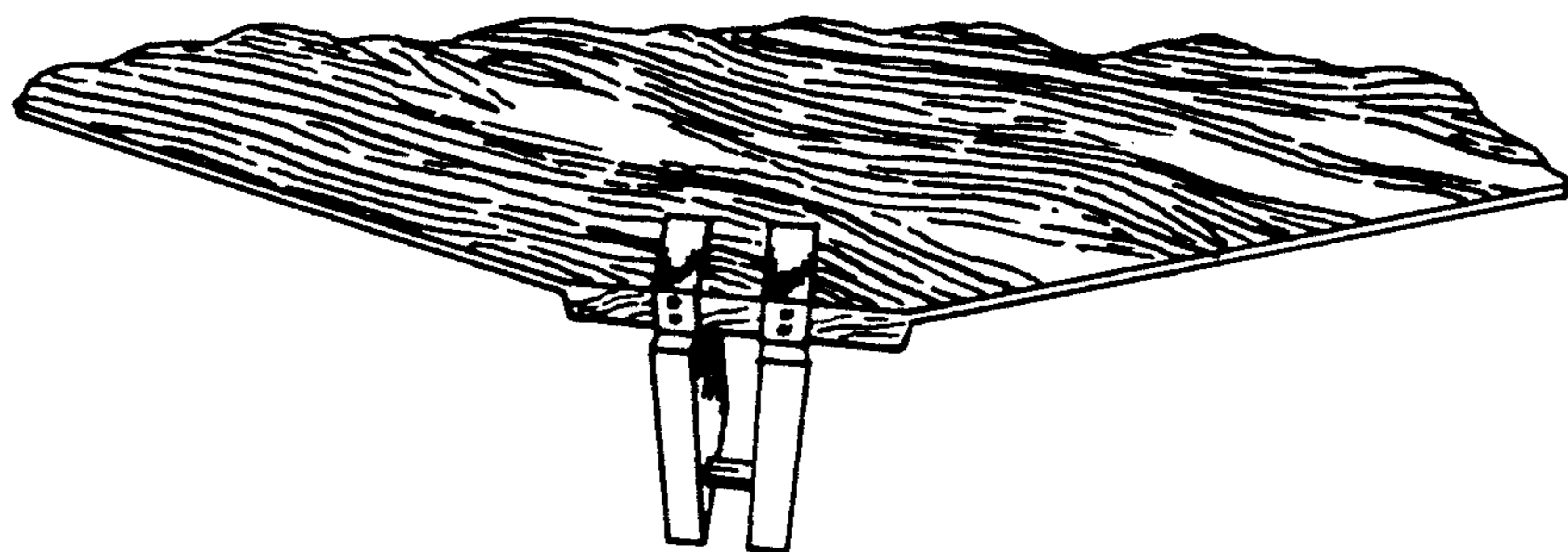


FIG. 6

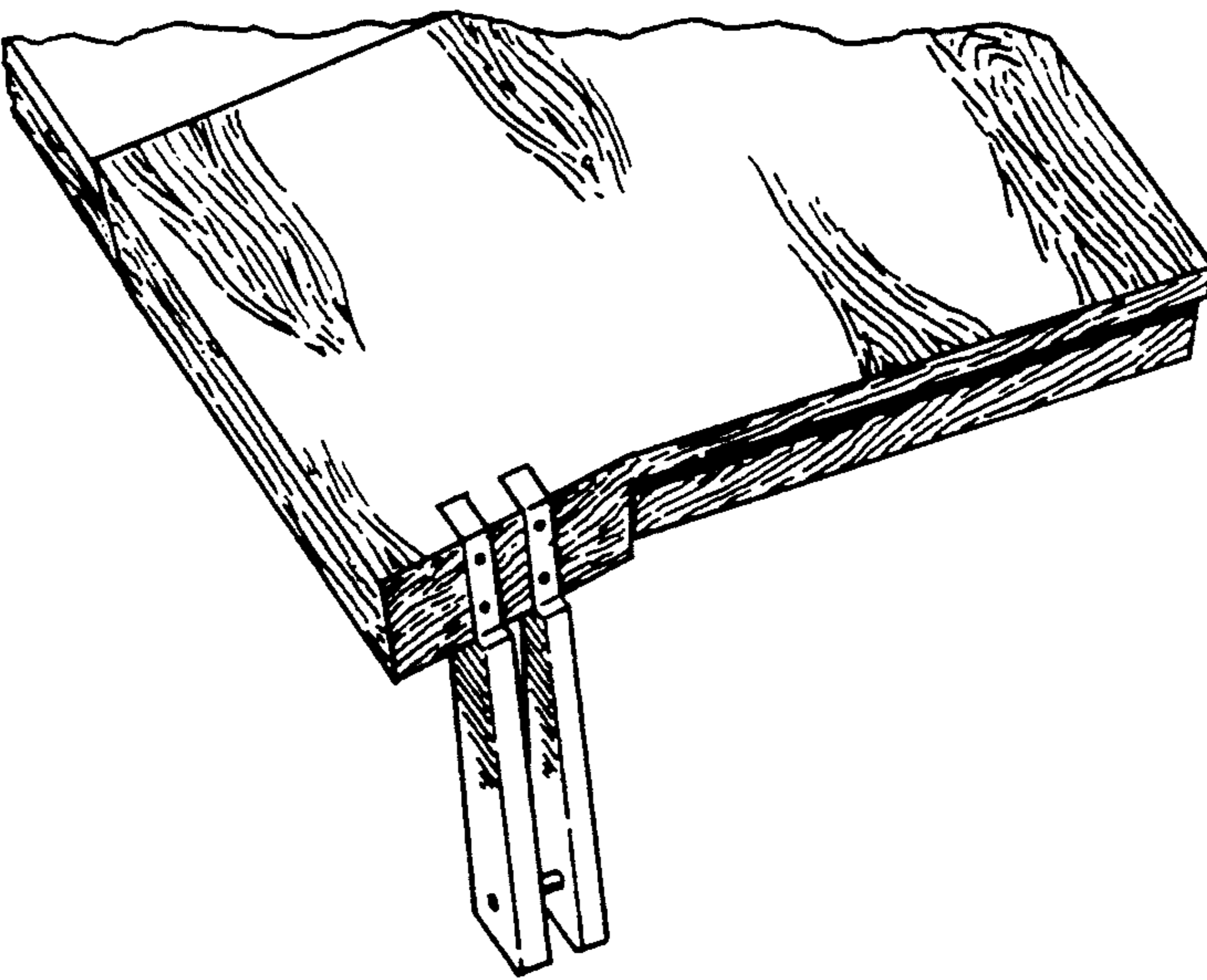


FIG. 7

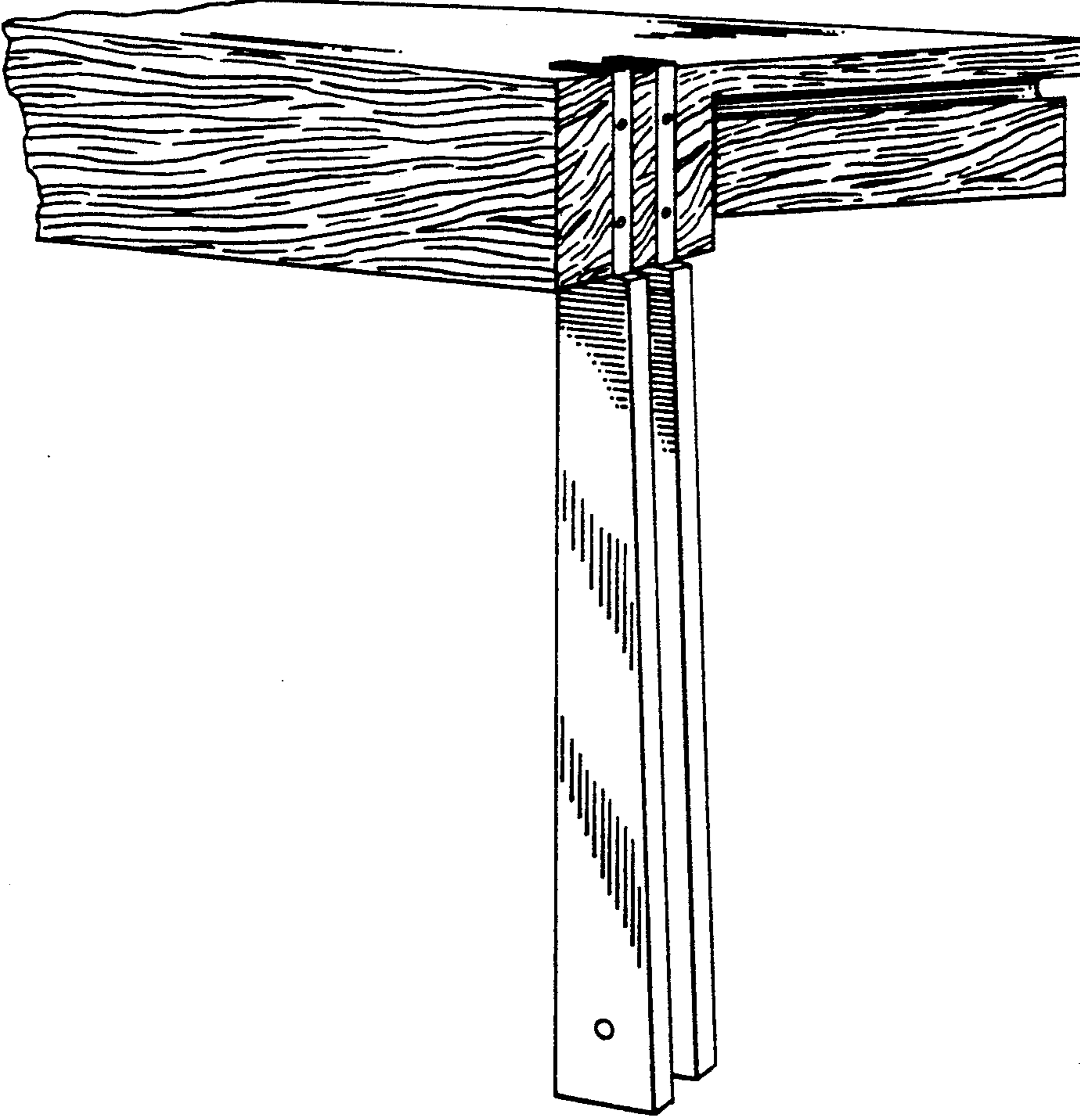


FIG. 8

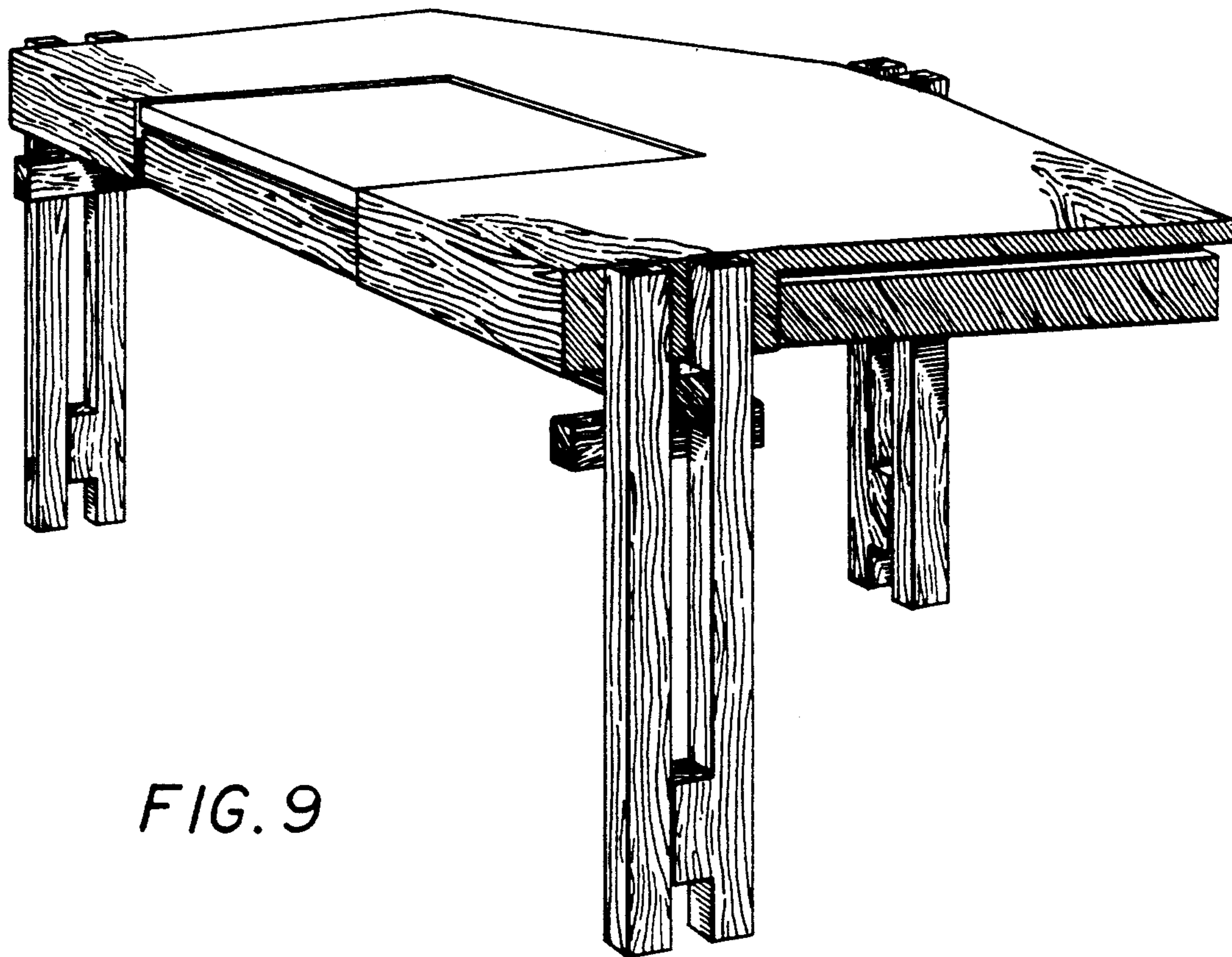


FIG. 9

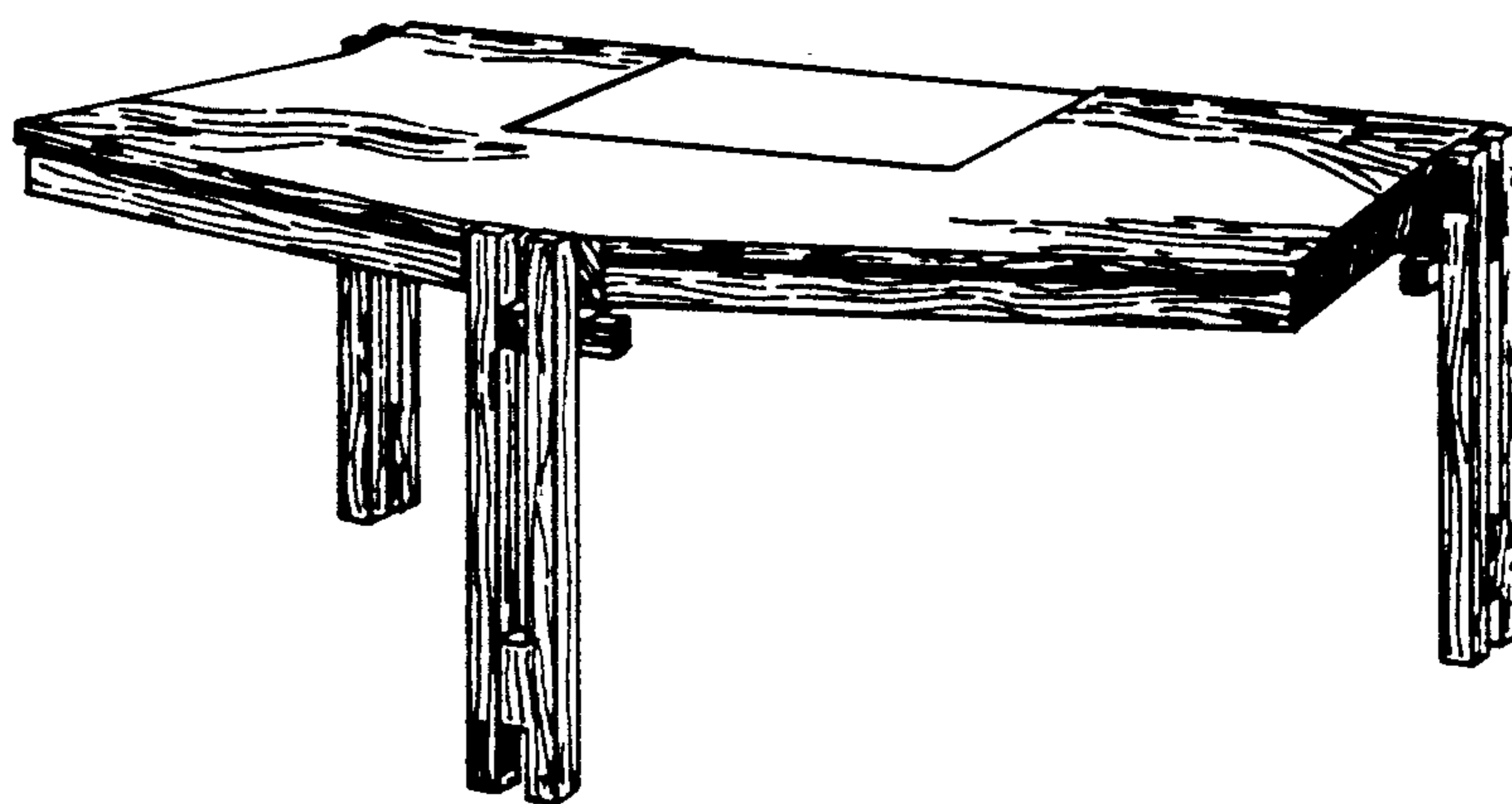


FIG. 10

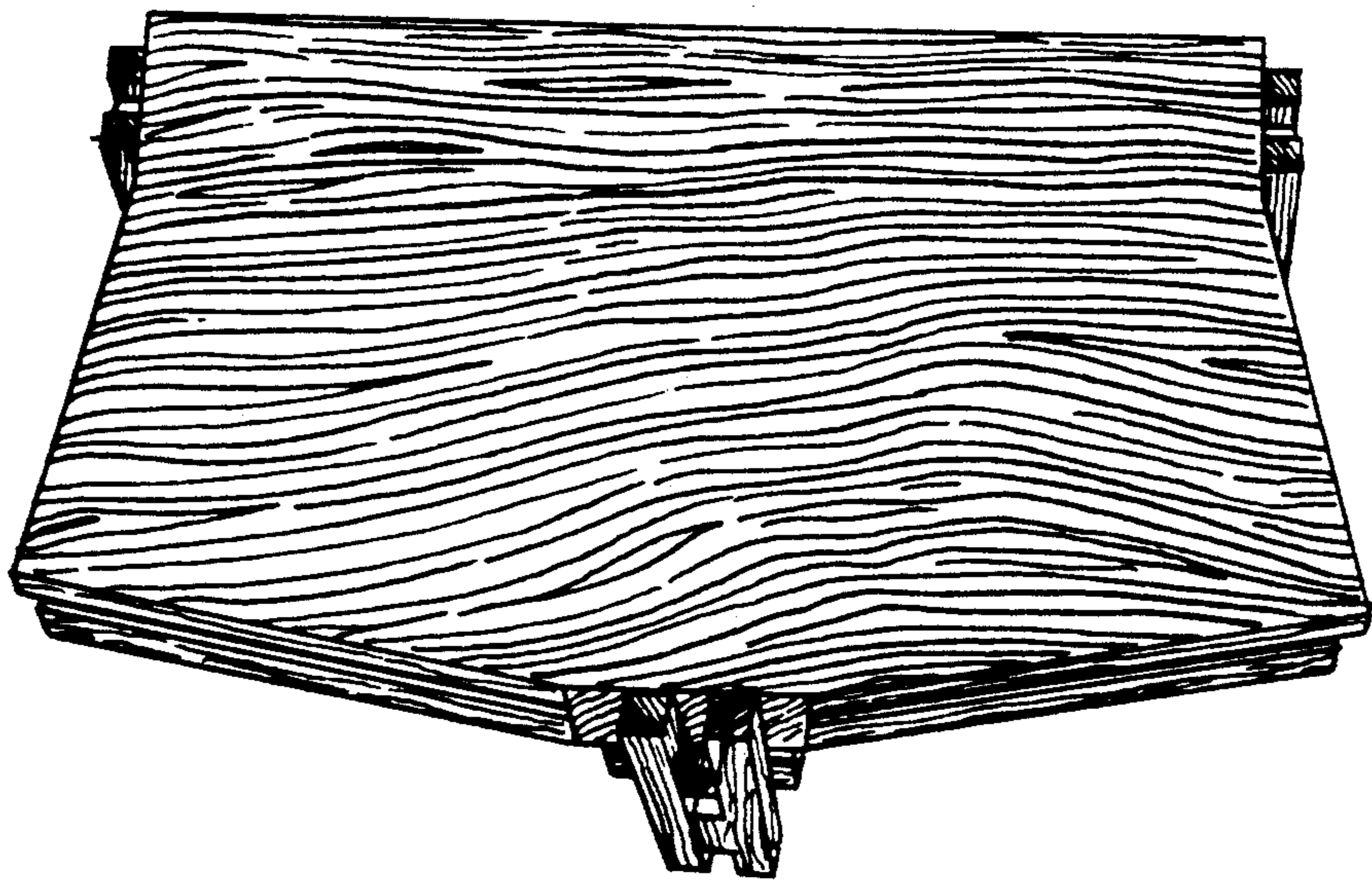


FIG. 11

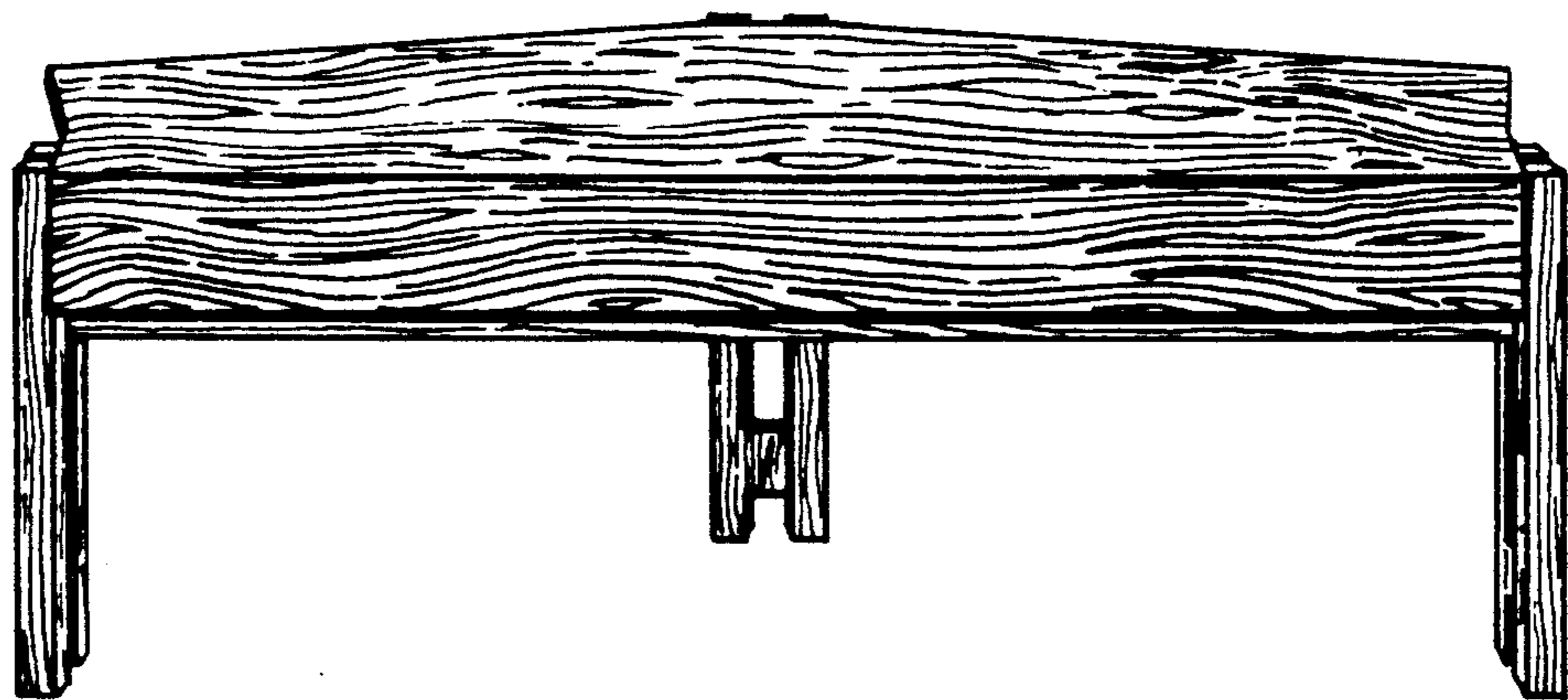


FIG. 12