



US00D344194S

United States Patent [19]

[11] Patent Number: **Des. 344,194**

Gibbs

[45] Date of Patent: **** Feb. 15, 1994**

[54] CHAIR

[75] Inventor: **Terence Gibbs, Grandview, N.Y.**

[73] Assignee: **Omni Products International, Inc.,
Fairfield, N.J.**

[**] Term: **14 Years**

[21] Appl. No.: **649,882**

[22] Filed: **Jan. 31, 1991**

[52] U.S. Cl. **D6/373; D6/375;
D6/379**

[58] Field of Search **D6/334, 368, 370, 371,
D6/372, 373, 374, 375, 376, 397, 500, 501, 502;
297/418, 419, 445, 457**

[56] **References Cited**

U.S. PATENT DOCUMENTS

D. 222,450	10/1971	Brook	D6/373
D. 244,646	6/1977	Uchida	D6/368 X
D. 282,027	1/1986	Schultz	D6/373
D. 291,391	8/1987	Arthur, Jr.	D6/379 X
D. 291,632	9/1987	Zola	D6/379
D. 298,787	12/1988	Greene	D6/379 X
D. 316,938	5/1991	Hess	D6/373
D. 323,077	1/1992	Saiger	D6/379 X

OTHER PUBLICATIONS

House & Garden, Mar. 1982, p. 176, Chair by Woodard at left.

Food Service Equip. Special, Dec. 1983, p. 186, Chair #1070, second from left at bottom.

House & Garden, Jun. 1984, p. 95, Chair by Woodard at right.

Casual Furniture Catalog IV, 1986, Genesis V Chair, shown at bottom left.

Interior, Oct. 1987, p. 44, Chair by Telescope at bottom right.

Primary Examiner—Nelson C. Holtje

Assistant Examiner—Gary D. Watson

Attorney, Agent, or Firm—Lerner, David, Littenberg, Krumholz & Mentlik

[57] **CLAIM**

The ornamental design for a chair, as shown and described.

DESCRIPTION

FIG. 1 is a perspective view looking from above of a chair showing one embodiment of my new design;

FIG. 2 is a front elevational view thereof;

FIG. 3 is a rear elevational view thereof;

FIG. 4 is a right side elevational view thereof;

FIG. 5 is a left side elevational view thereof;

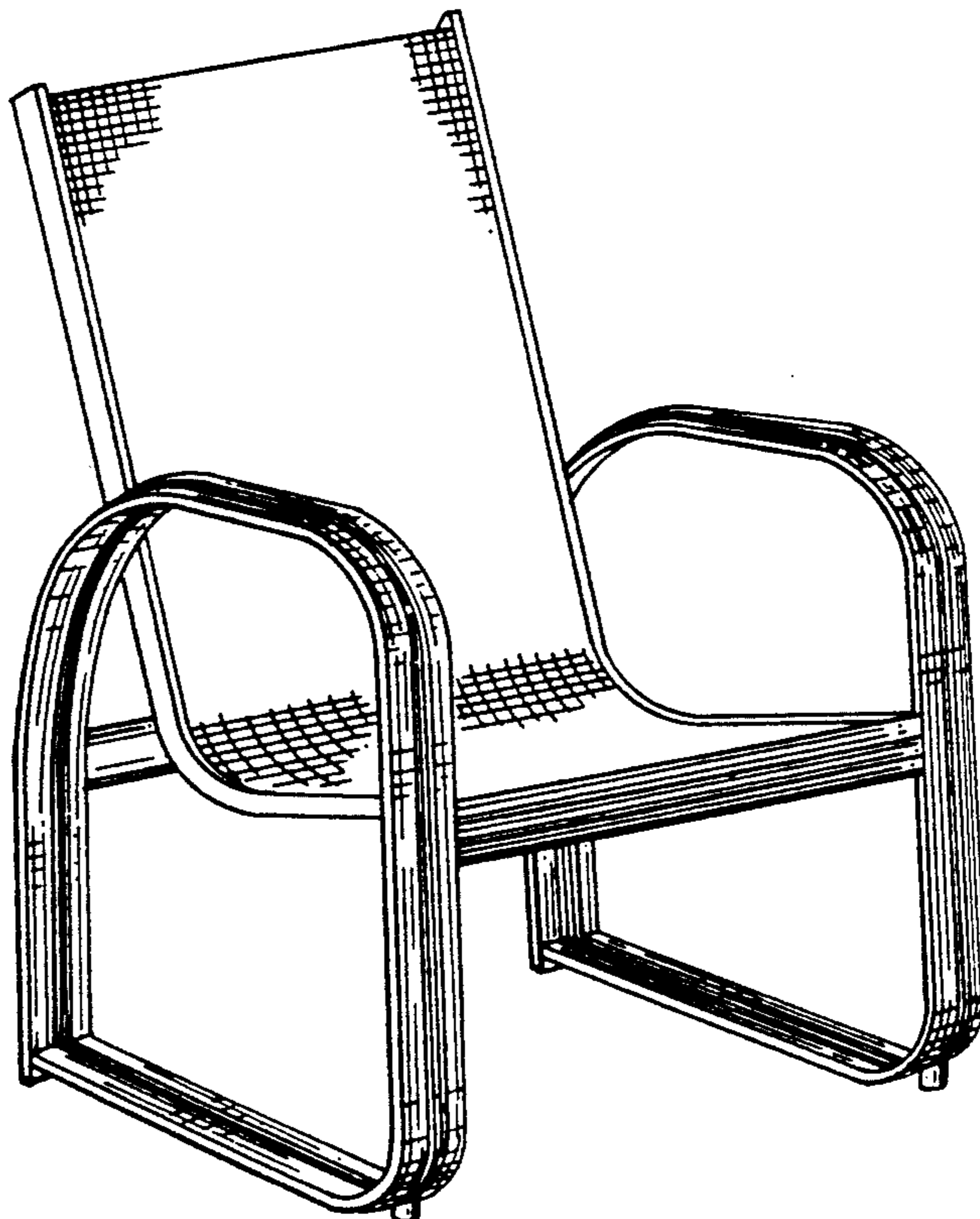
FIG. 6 is a top plan view thereof;

FIG. 7 is a bottom plan view thereof;

FIG. 8 is a perspective view looking from above of a chair showing another embodiment of my new design, the front and rear elevational views and top and bottom plan views being shown in FIGS. 2, 3, 6 and 7, respectively;

FIG. 9 is a right side elevational view thereof; and,

FIG. 10 is a left side elevational view thereof.



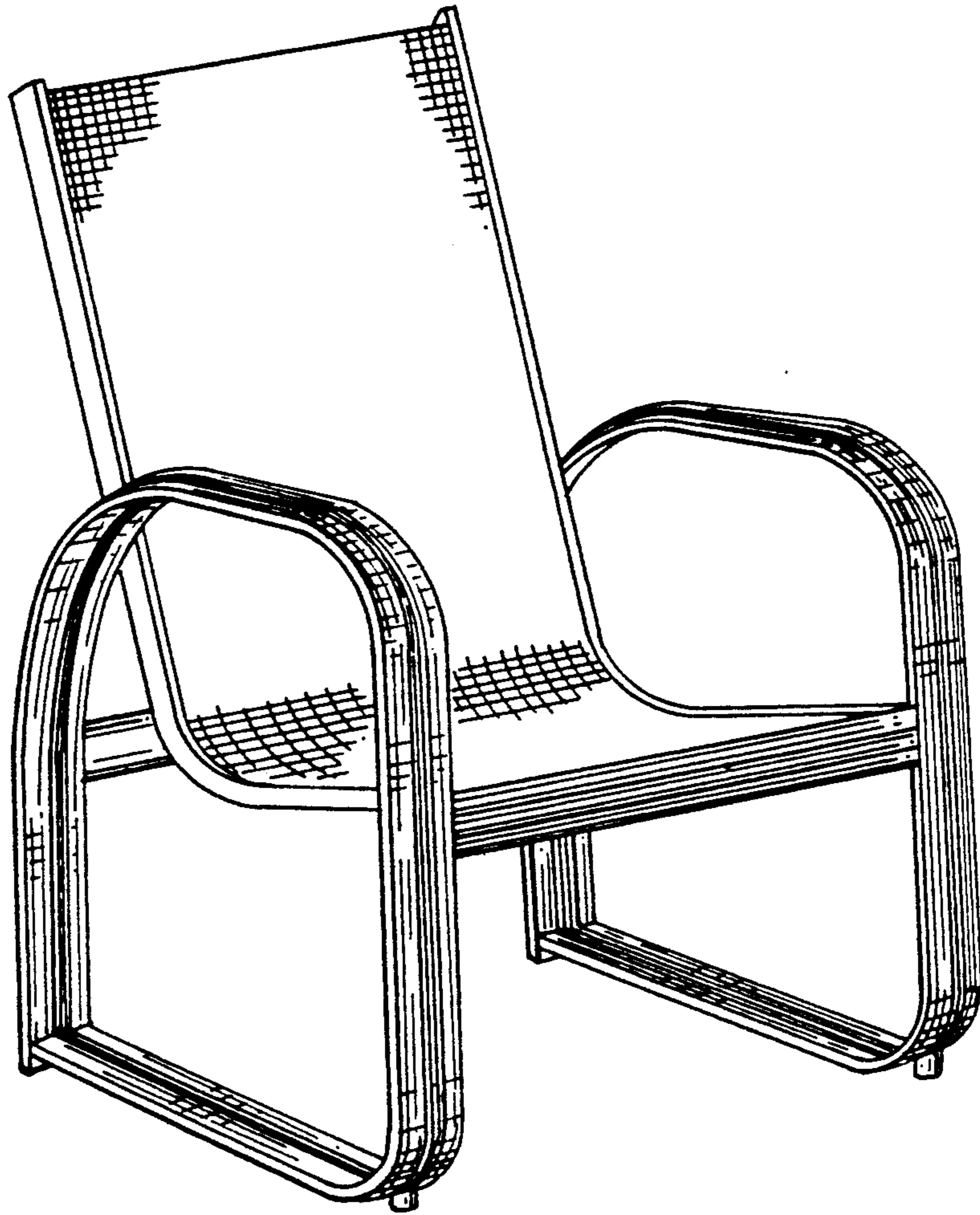


FIG. 1

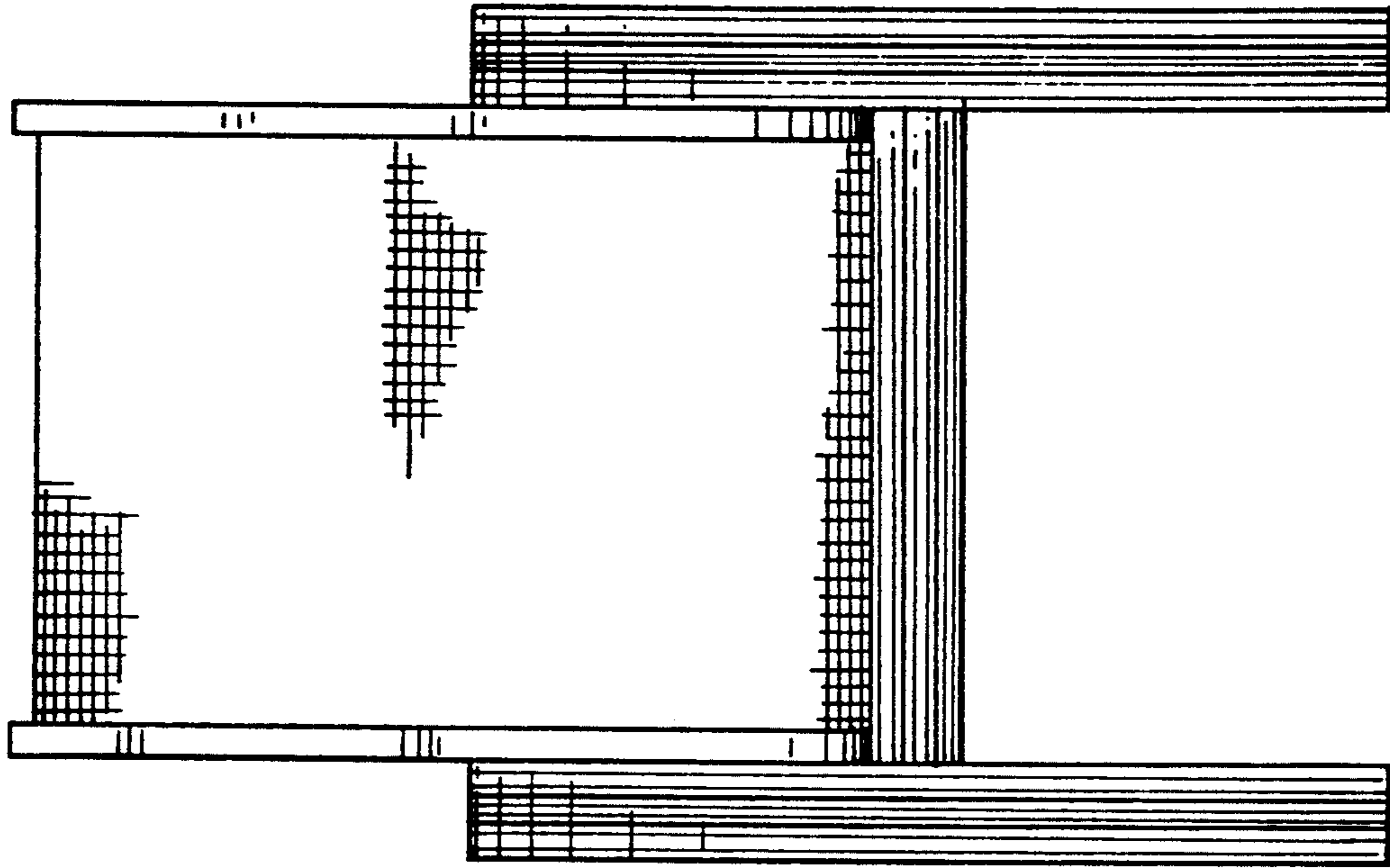


FIG. 3

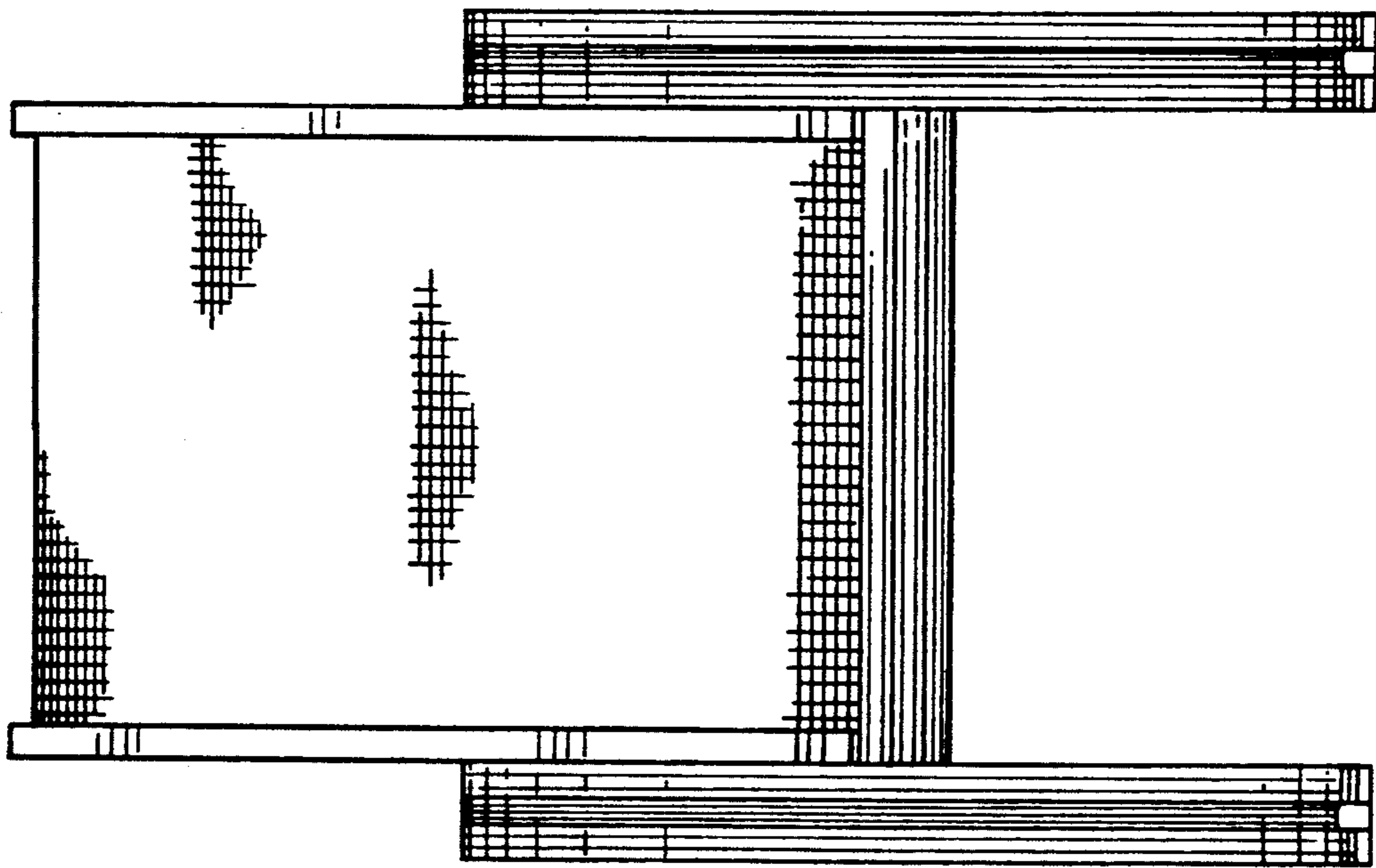


FIG. 2

FIG. 4

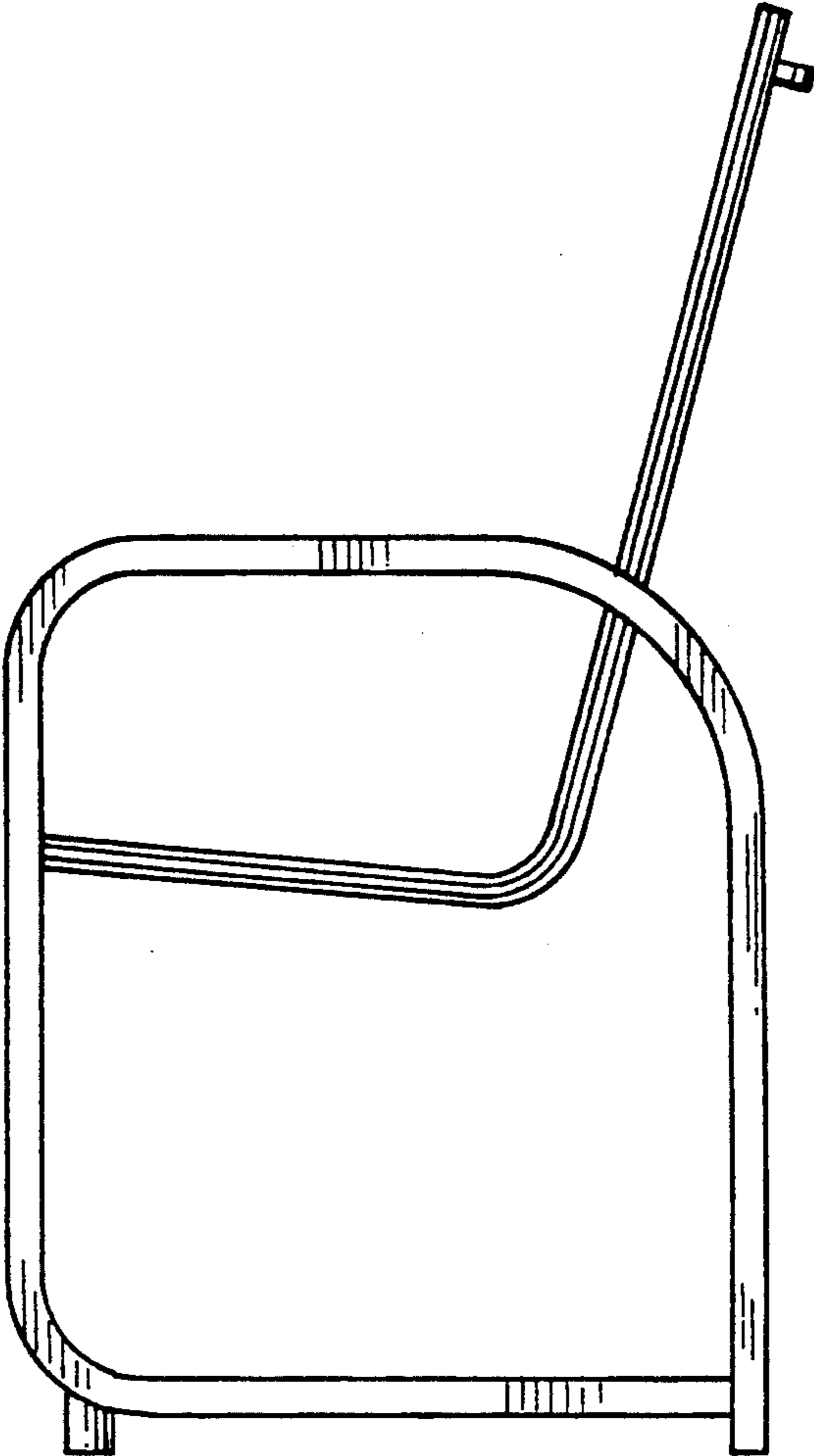
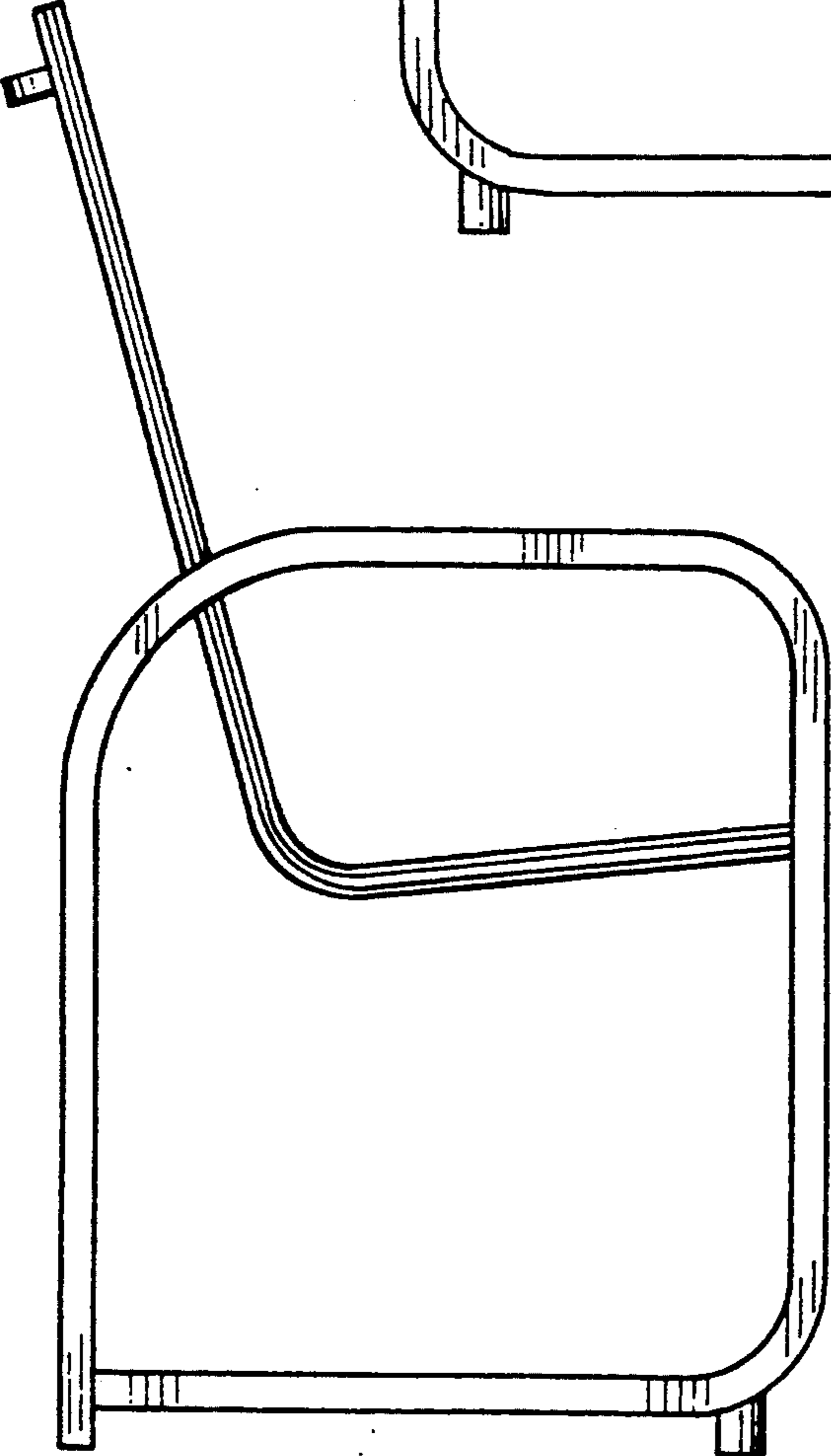


FIG. 5



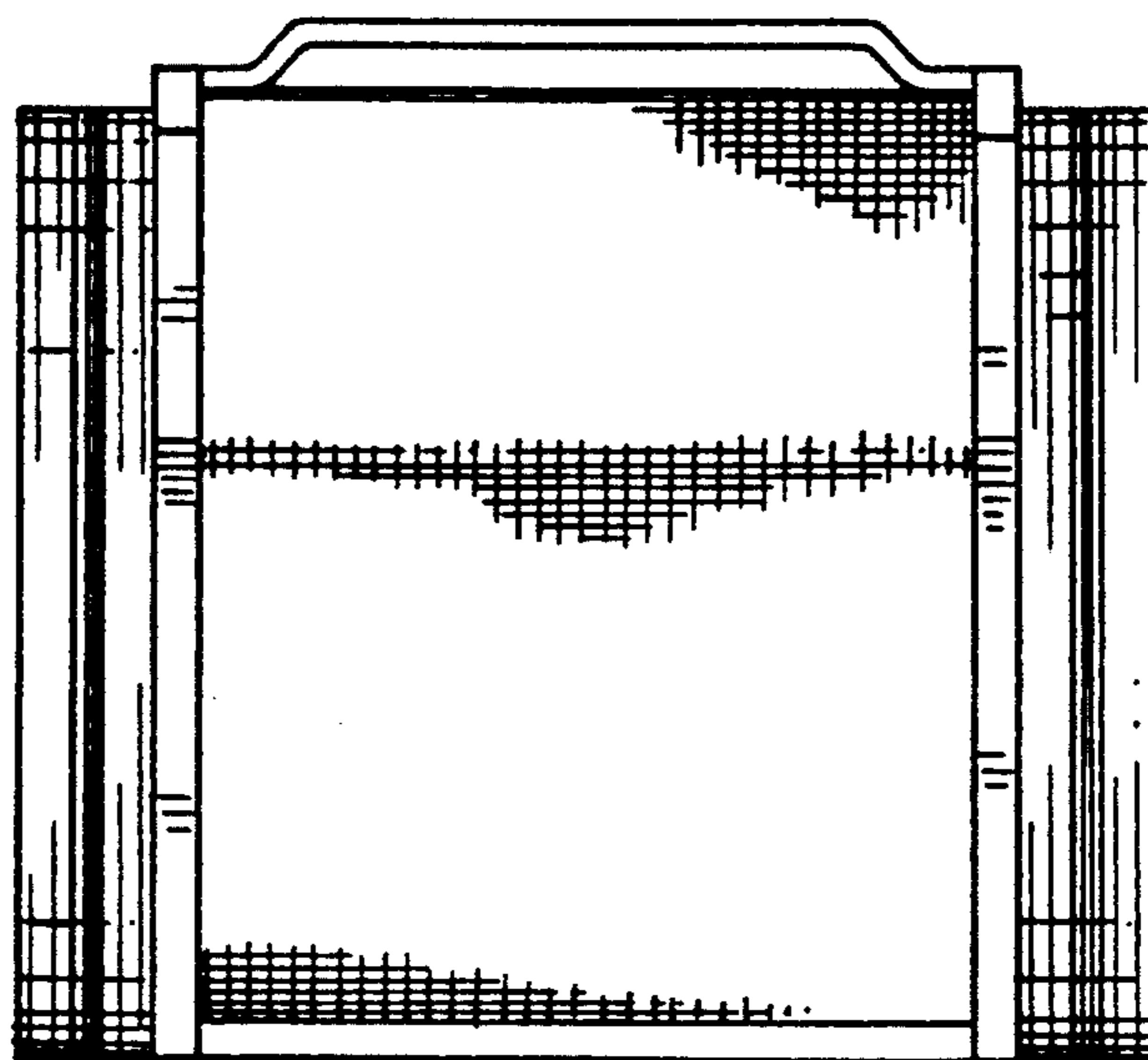


FIG. 6

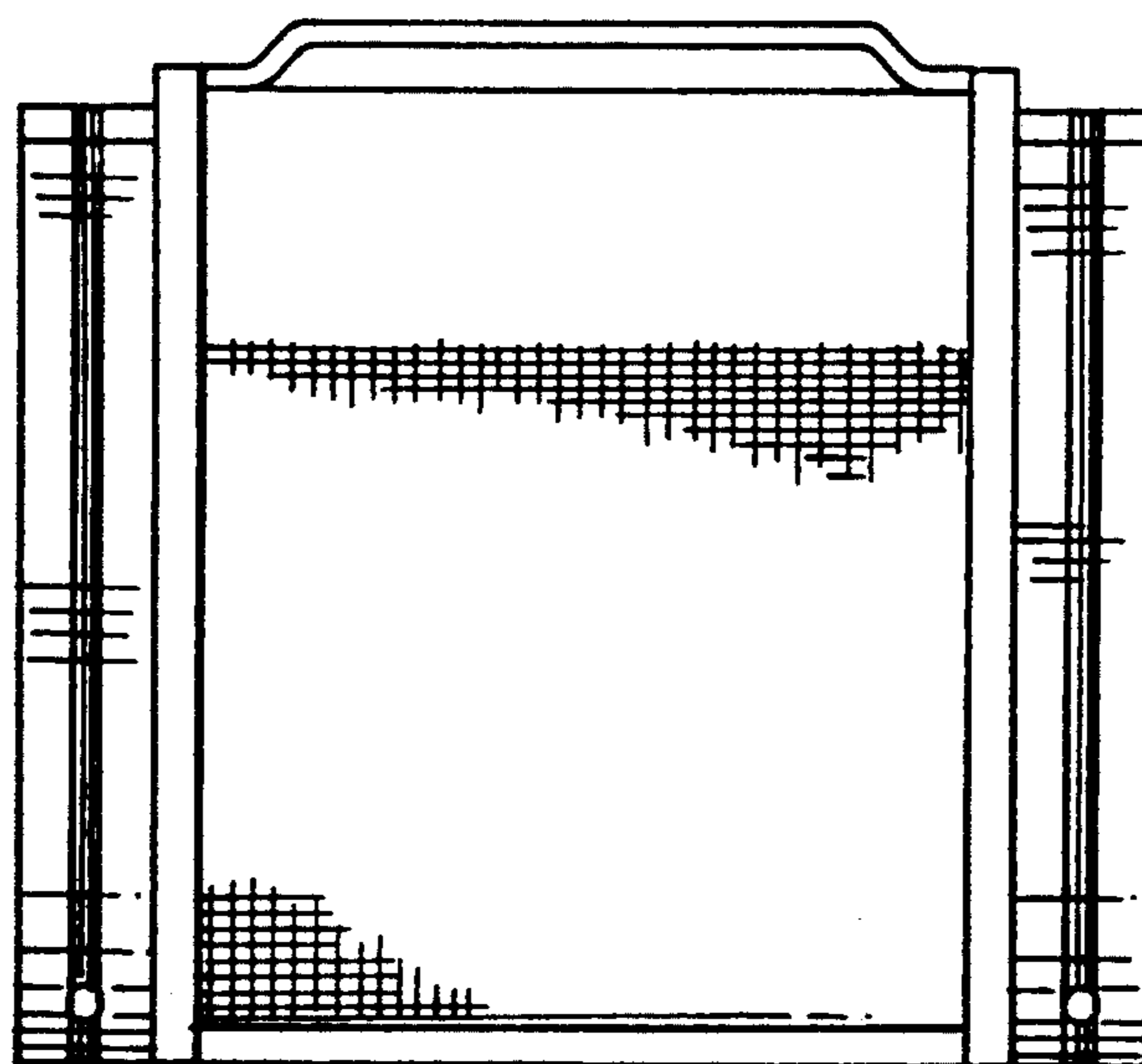


FIG. 7

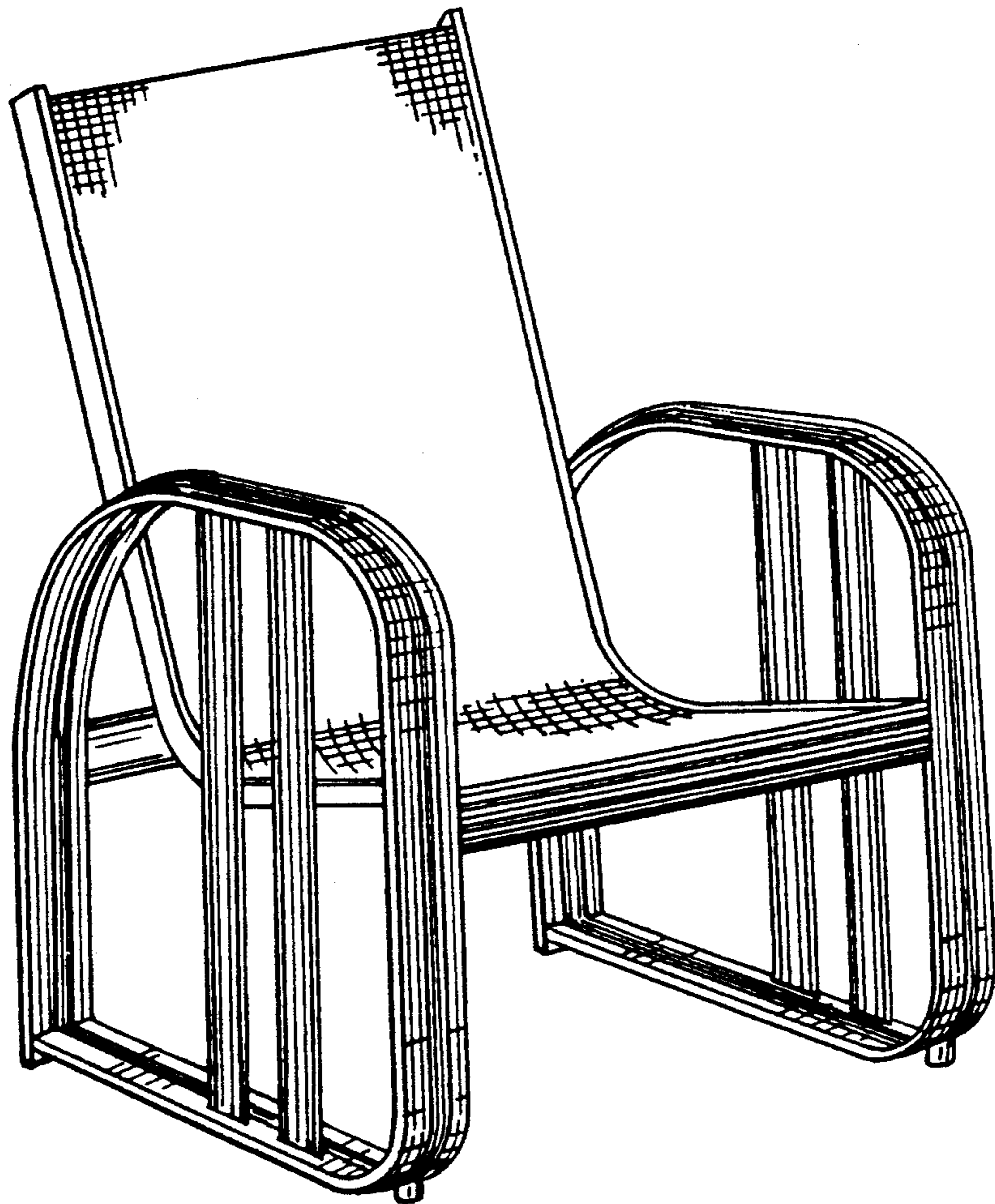


FIG. 8

FIG. 9

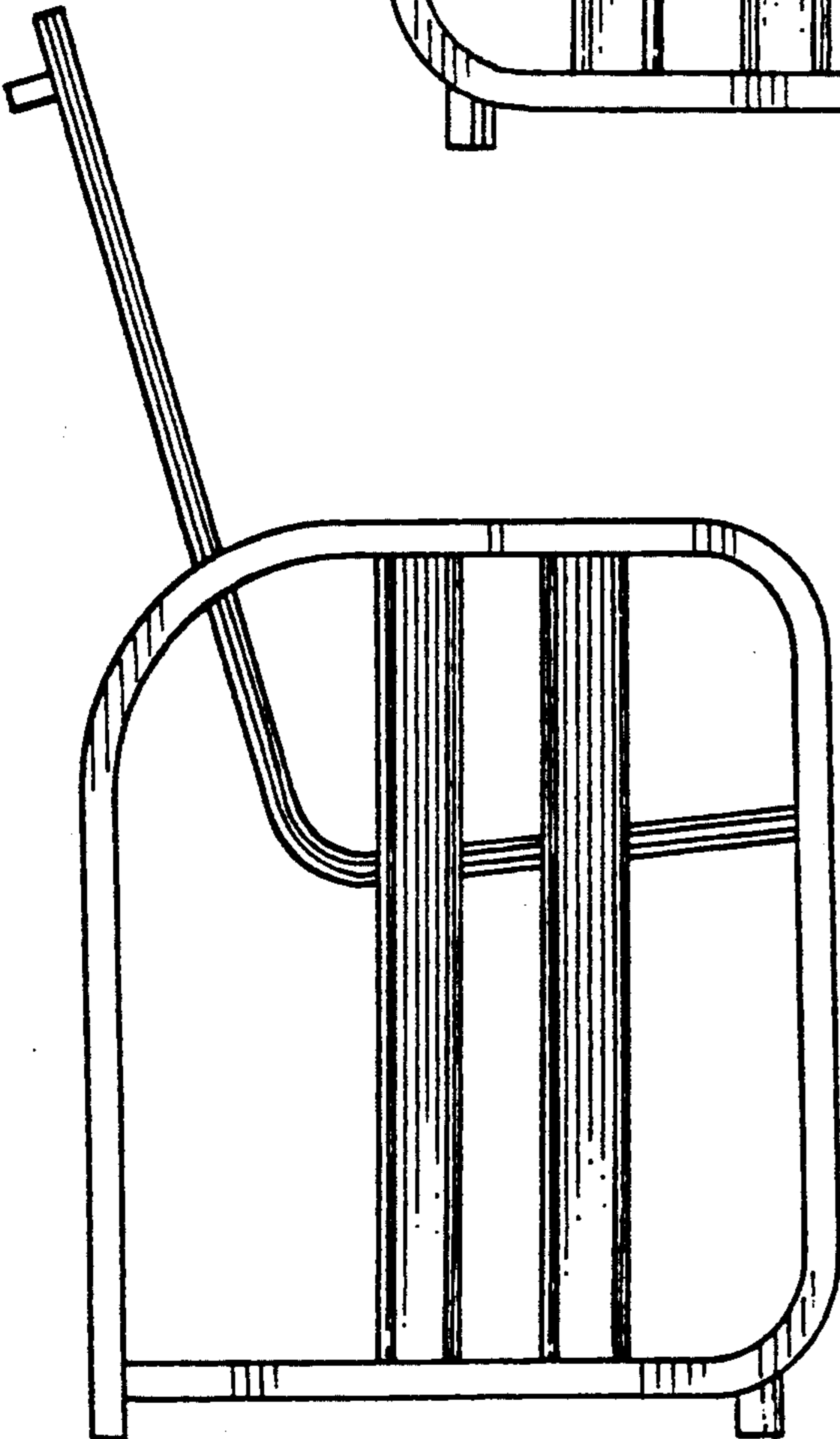
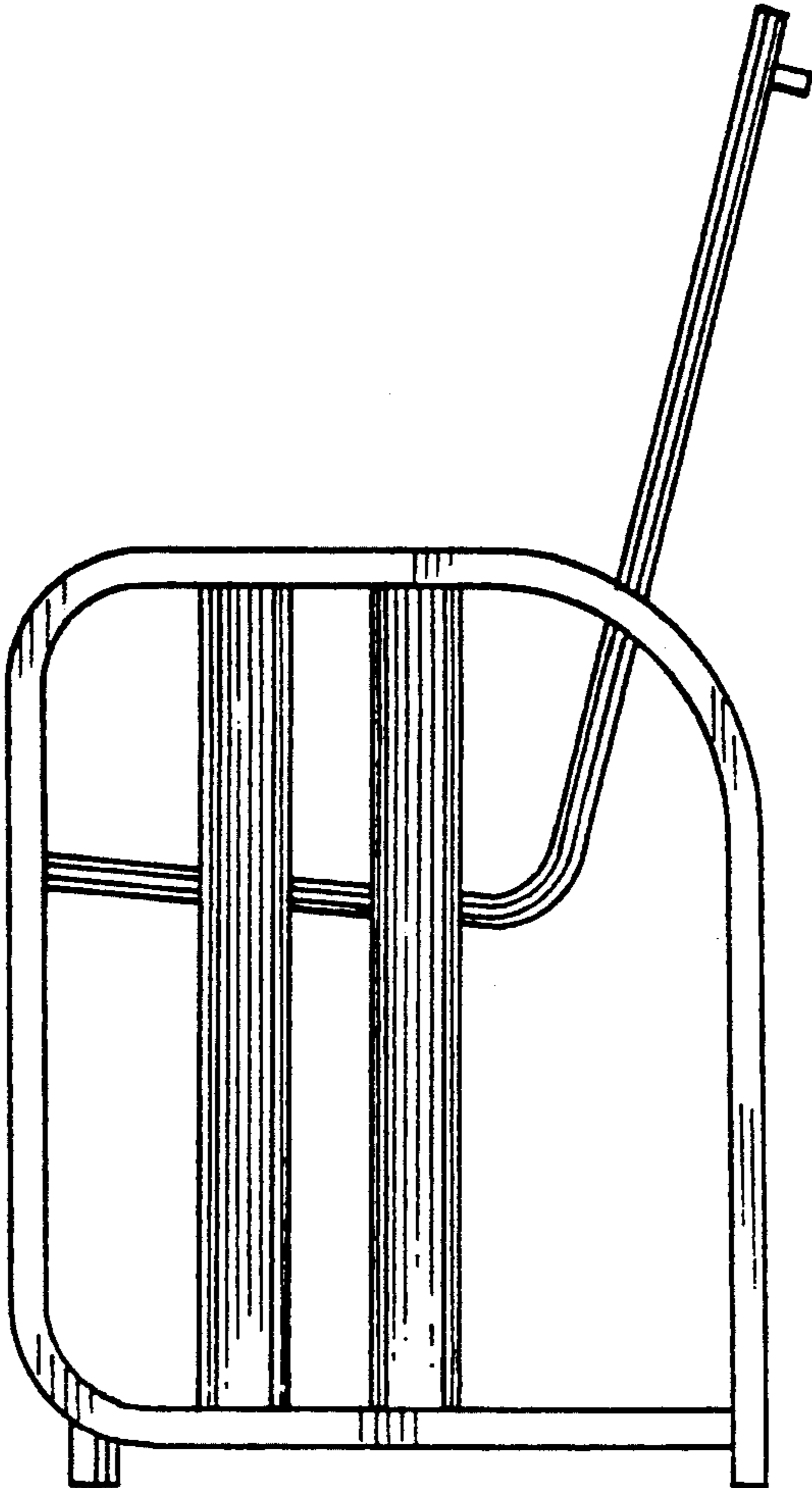


FIG. 10