



US00D344189S

# United States Patent [19]

[11] Patent Number: **Des. 344,189**

Golenz et al.

[45] Date of Patent: **\*\* Feb. 15, 1994**

[54] **HIGHCHAIR**

4,807,928 2/1989 Cone ..... 297/153  
4,842,331 6/1989 Waples ..... 297/149

[75] Inventors: **Douglas J. Golenz, Westminster; Roy E. Knoedler, Boulder; T. Brent Freese, Westminster, all of Colo.**

**FOREIGN PATENT DOCUMENTS**

461807 12/1949 Canada .  
464806 4/1937 United Kingdom .

[73] Assignee: **Gerry Baby Products Company, Denver, Colo.**

**OTHER PUBLICATIONS**

*Best Cat.*, , p. 385, "Century 1600 High Chair," upper left corner of page.

[\*\*] Term: **14 Years**

*Primary Examiner*—Nelson C. Holtje  
*Assistant Examiner*—Monica A. Hannon  
*Attorney, Agent, or Firm*—Biebel & French

[21] Appl. No.: **754,704**

[22] Filed: **Sep. 4, 1991**

[52] U.S. Cl. .... **D6/339**

[58] Field of Search ..... D6/339, 368, 369, 371,  
D6/374, 379; 297/17, 23, 148, 149, 150, 153,  
192, 467

[57] **CLAIM**

The ornamental design for a highchair, as shown.

[56] **References Cited**

**DESCRIPTION**

**U.S. PATENT DOCUMENTS**

D. 192,731	5/1962	Gelman	.....	D6/374 X
D. 283,956	5/1986	Lemmeyer	.....	D6/339
D. 337,665	7/1993	Tsuchiya	.....	D6/339
1,983,138	12/1934	Lehman	.....	155/127
2,024,667	12/1935	Stinson	.....	155/127
2,263,898	11/1941	Michelic	.....	297/467 X
2,505,490	4/1950	Greenbaum	.....	155/127
2,521,422	9/1950	Strand, Jr.	.....	155/54
2,718,917	9/1955	Johnson	.....	297/150 X
2,799,324	7/1957	Anderson	.....	155/127
4,105,247	8/1978	Saint	.....	297/149
4,722,570	2/1988	Bertoli	.....	297/153 X

FIG. 1 is a front perspective view of a highchair showing our new design;  
FIG. 2 is a front elevational view;  
FIG. 3 is a rear elevational view;  
FIG. 4 is a side elevational view taken from the left side;  
FIG. 5 is a side elevational view taken from the right side;  
FIG. 6 is a top plan view thereof;  
FIG. 7 is a bottom plan view thereof;  
FIG. 8 is a perspective view taken from the right front side of the highchair with the tray removed; and,  
FIG. 9 is a front elevational view of the highchair with the tray removed.

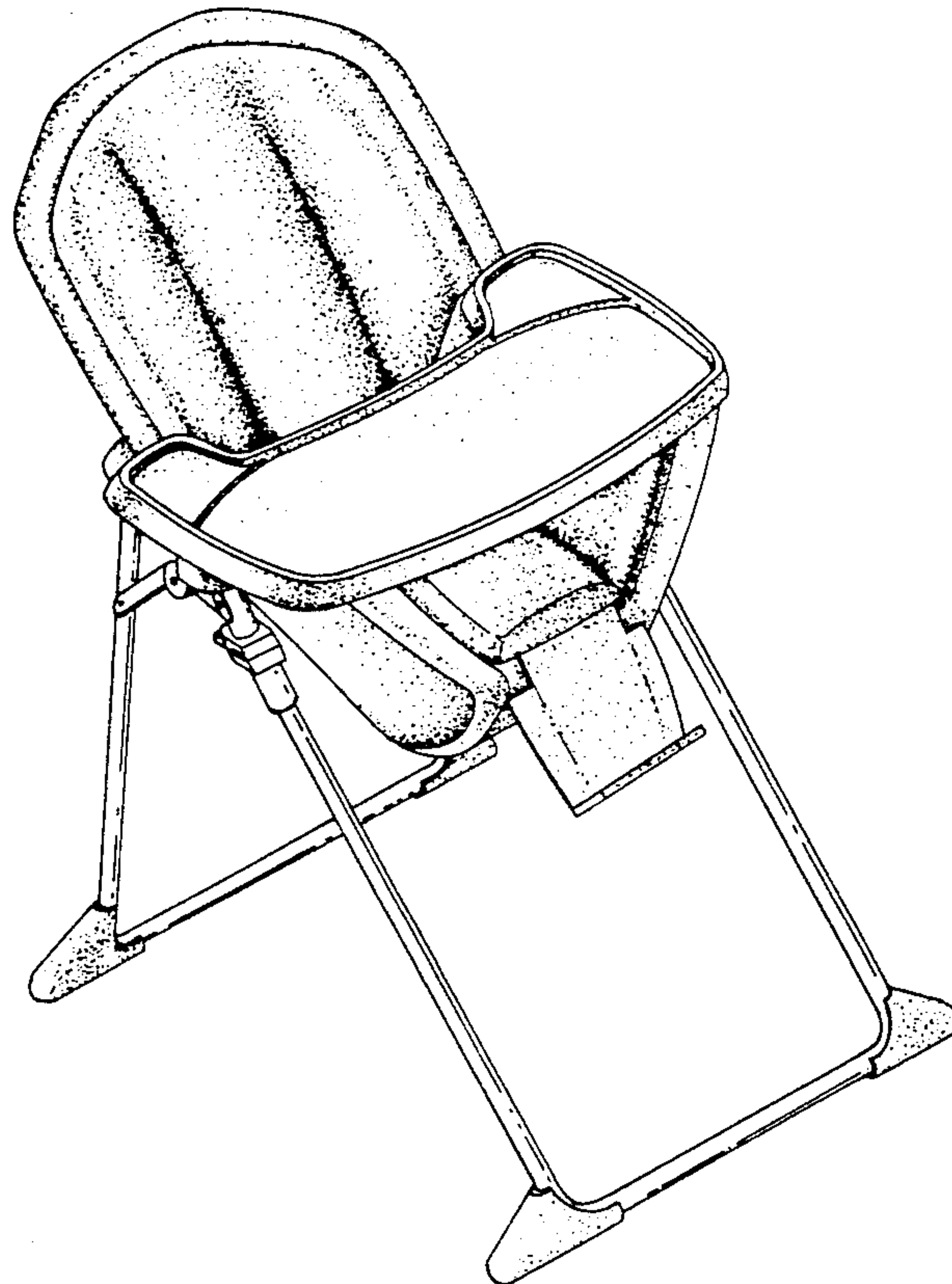


FIG -1

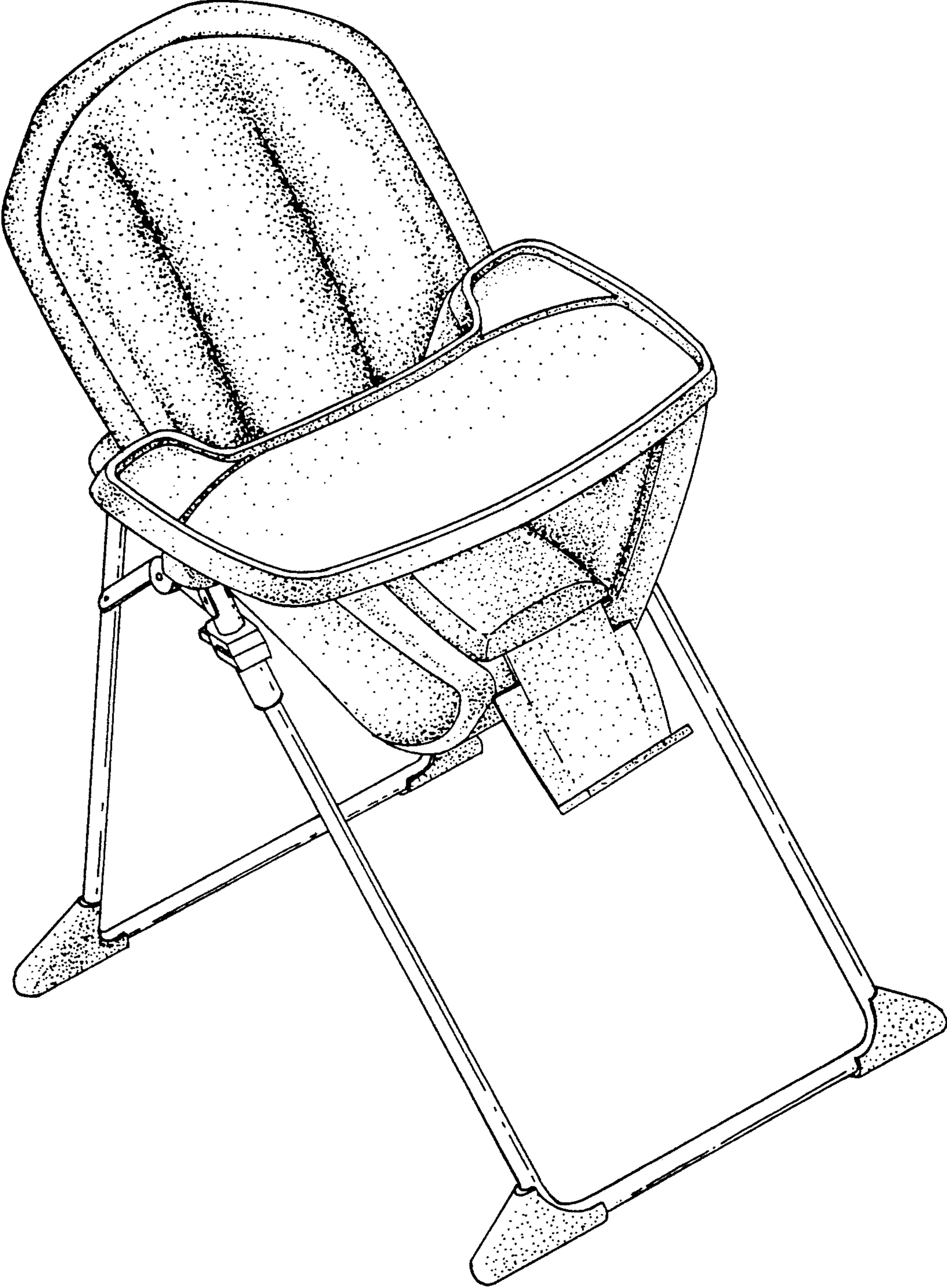


FIG - 2

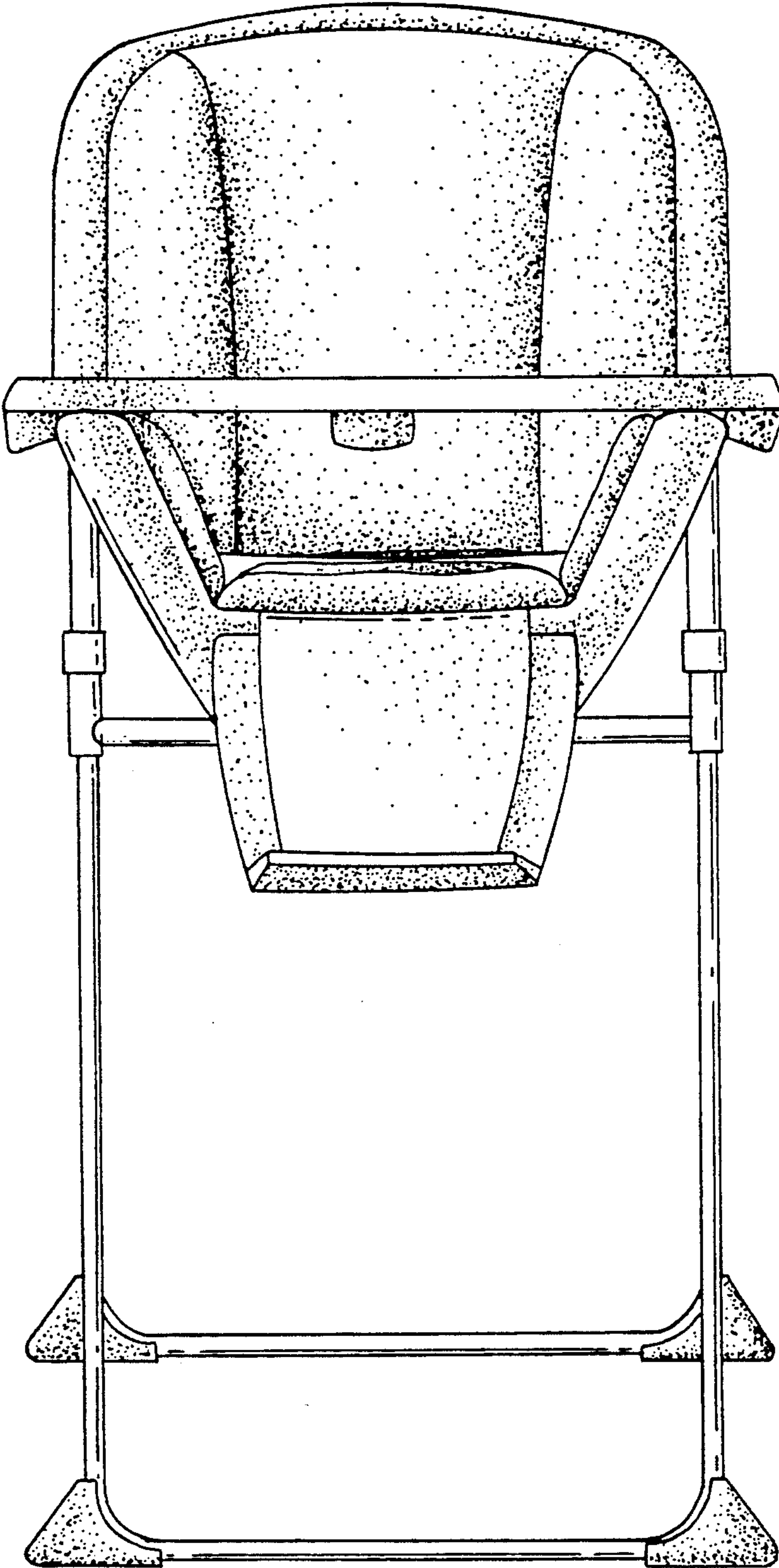




FIG-3

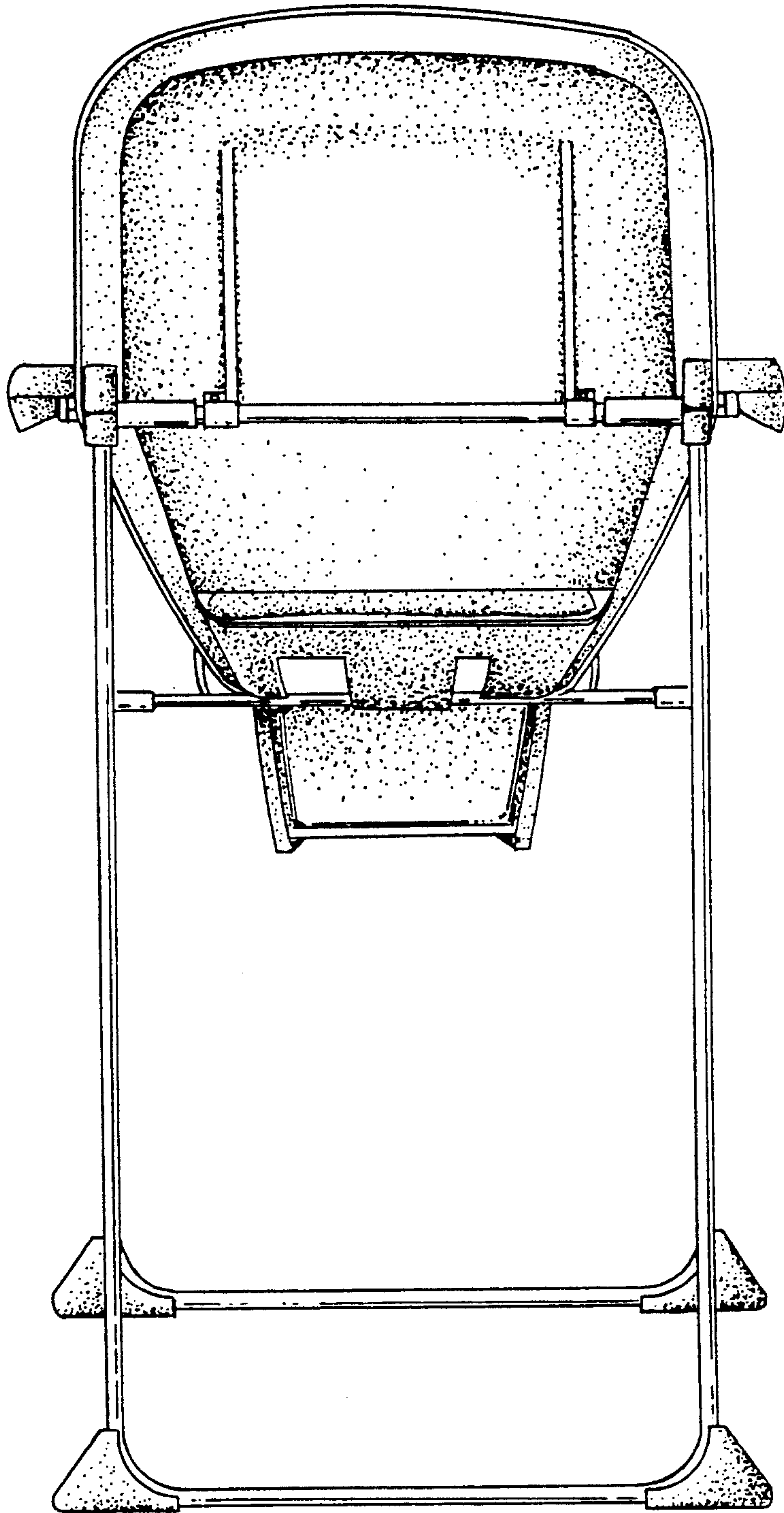


FIG - 4

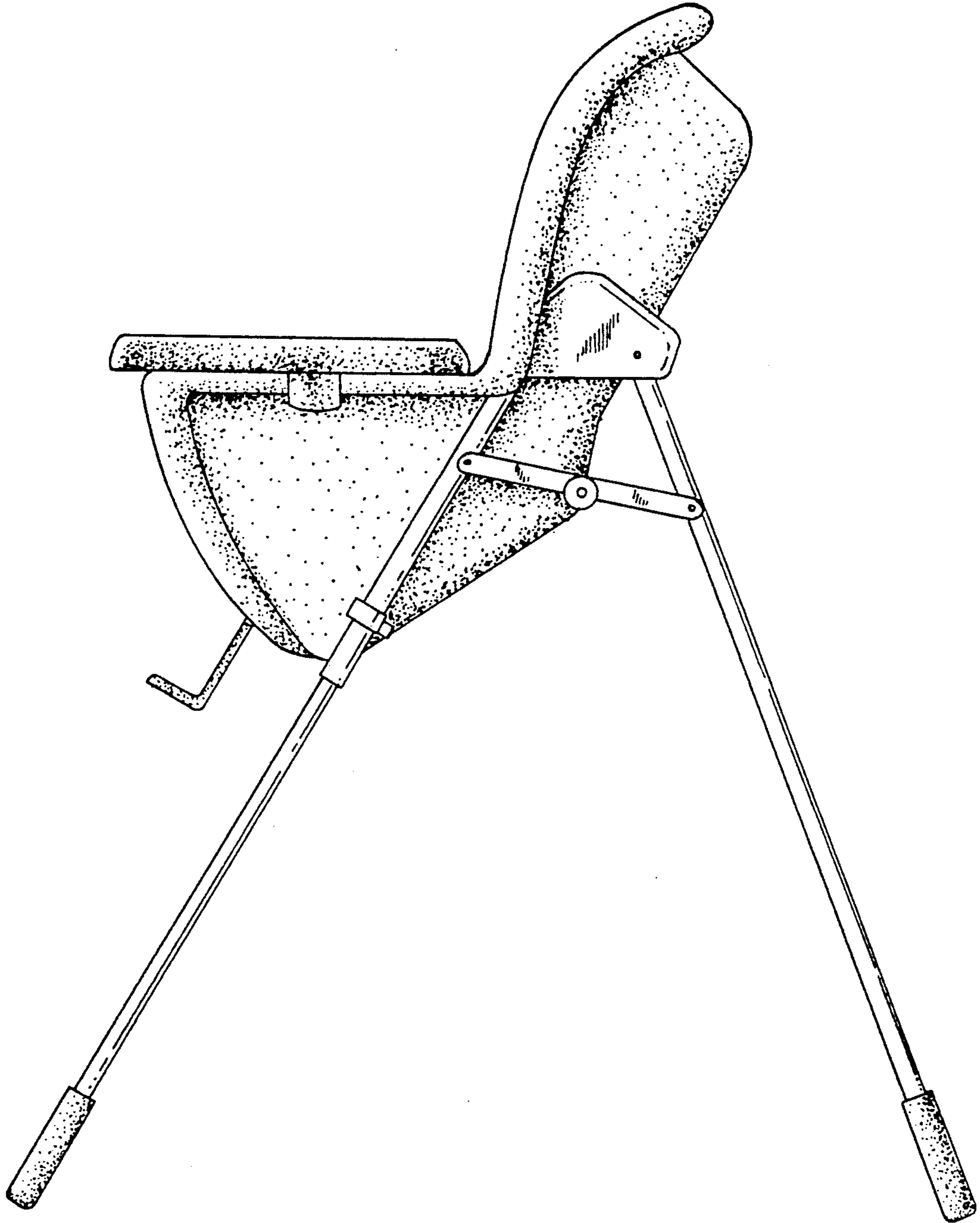


FIG-5

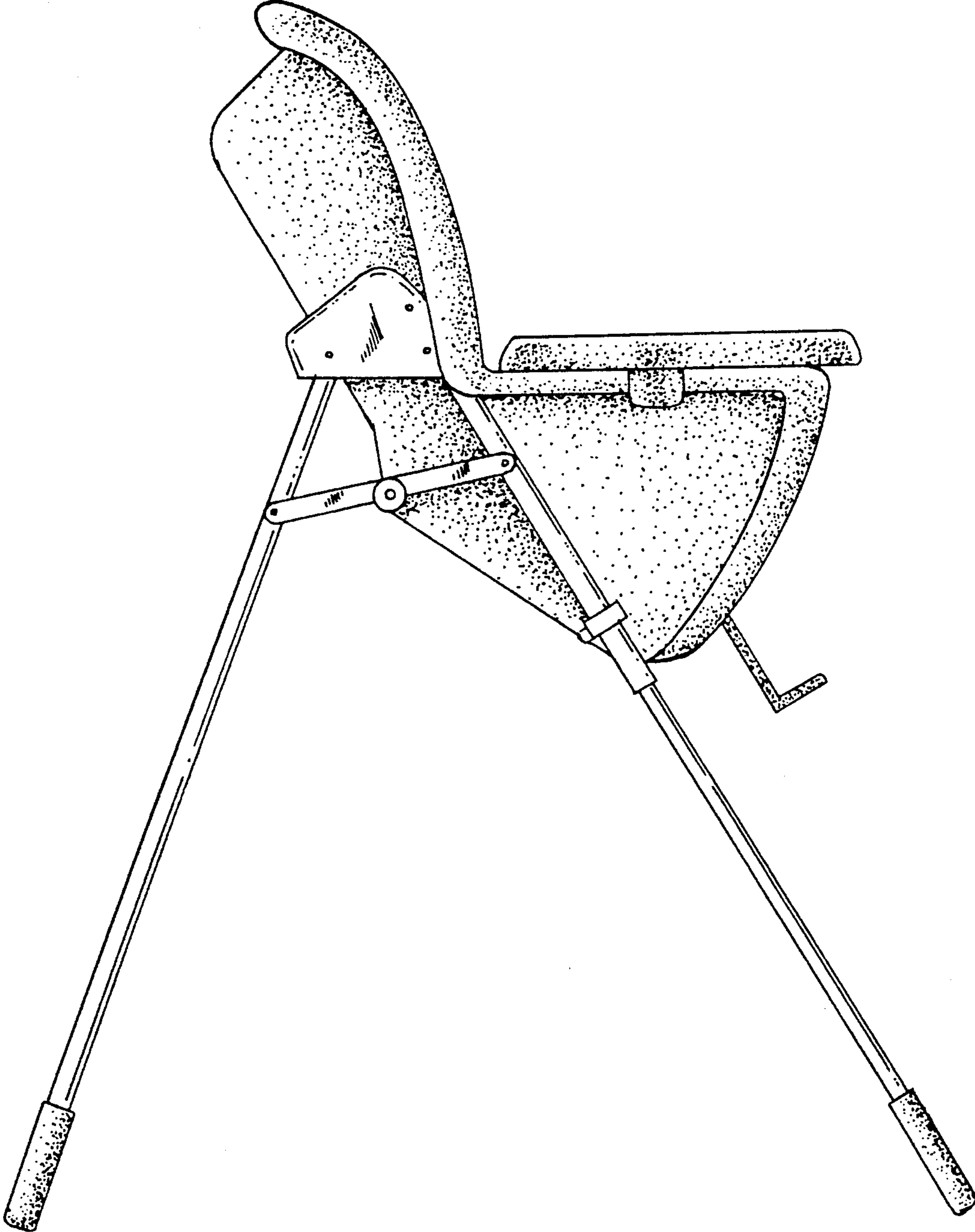
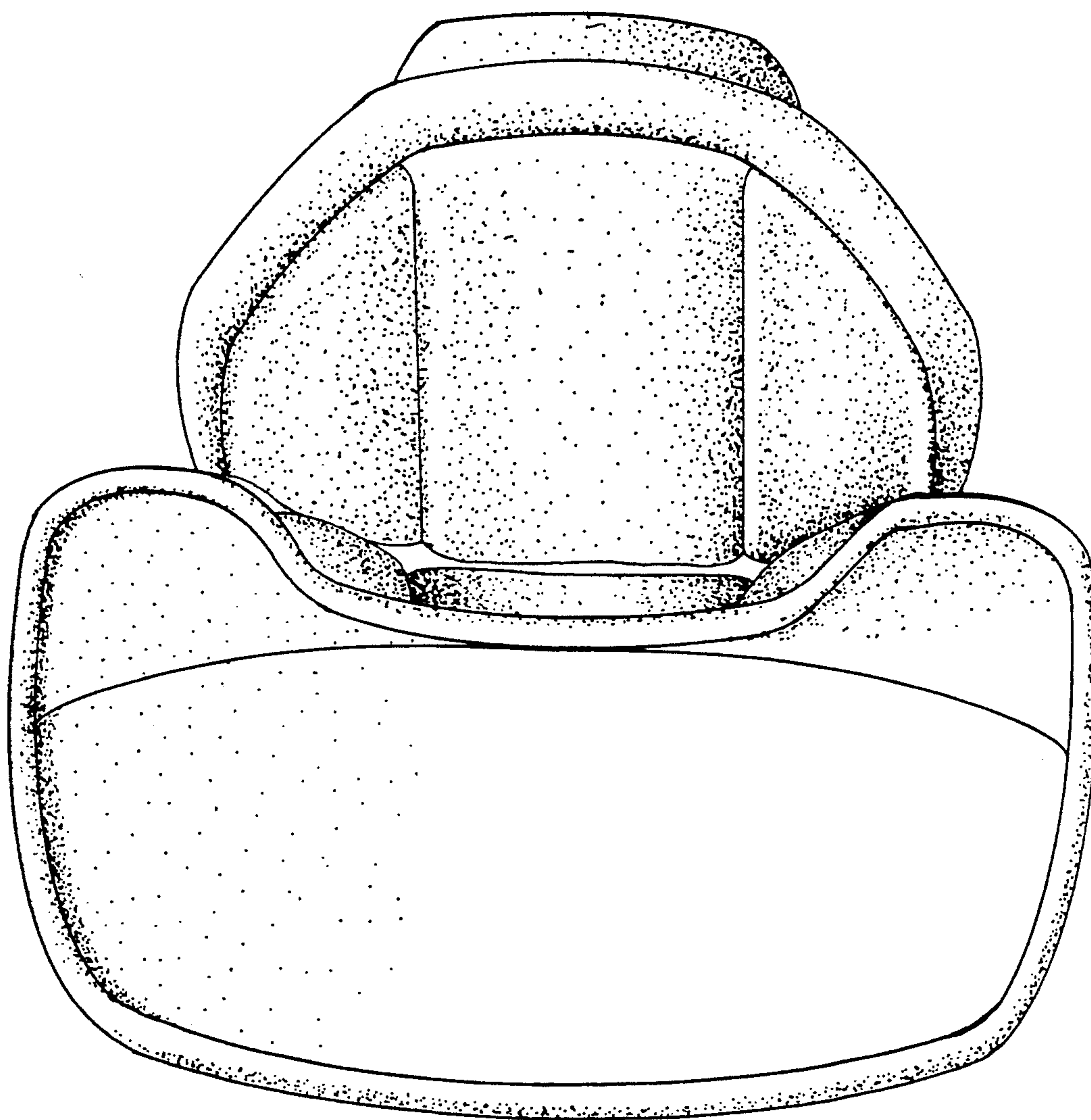


FIG - 6





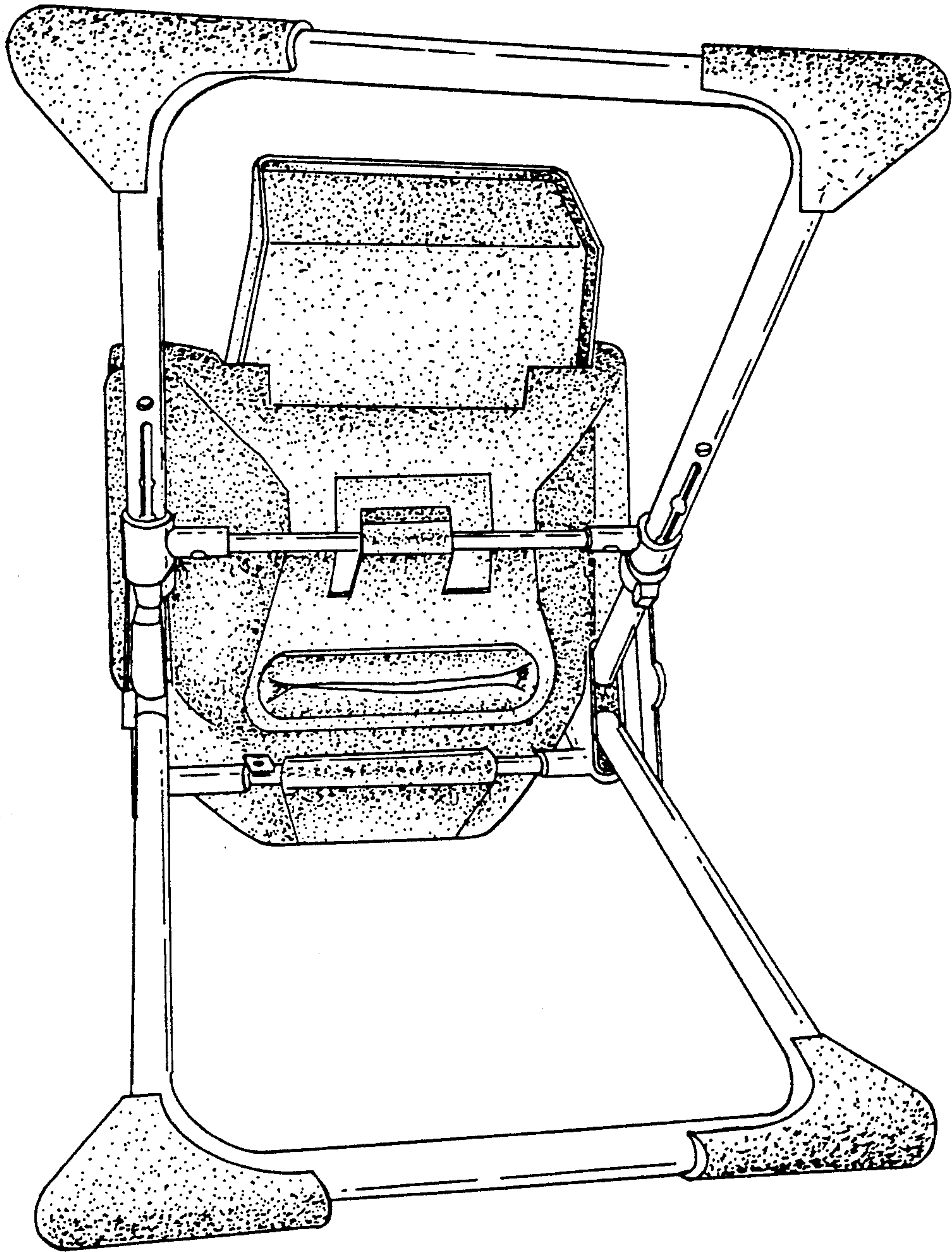


FIG-7



FIG - 8

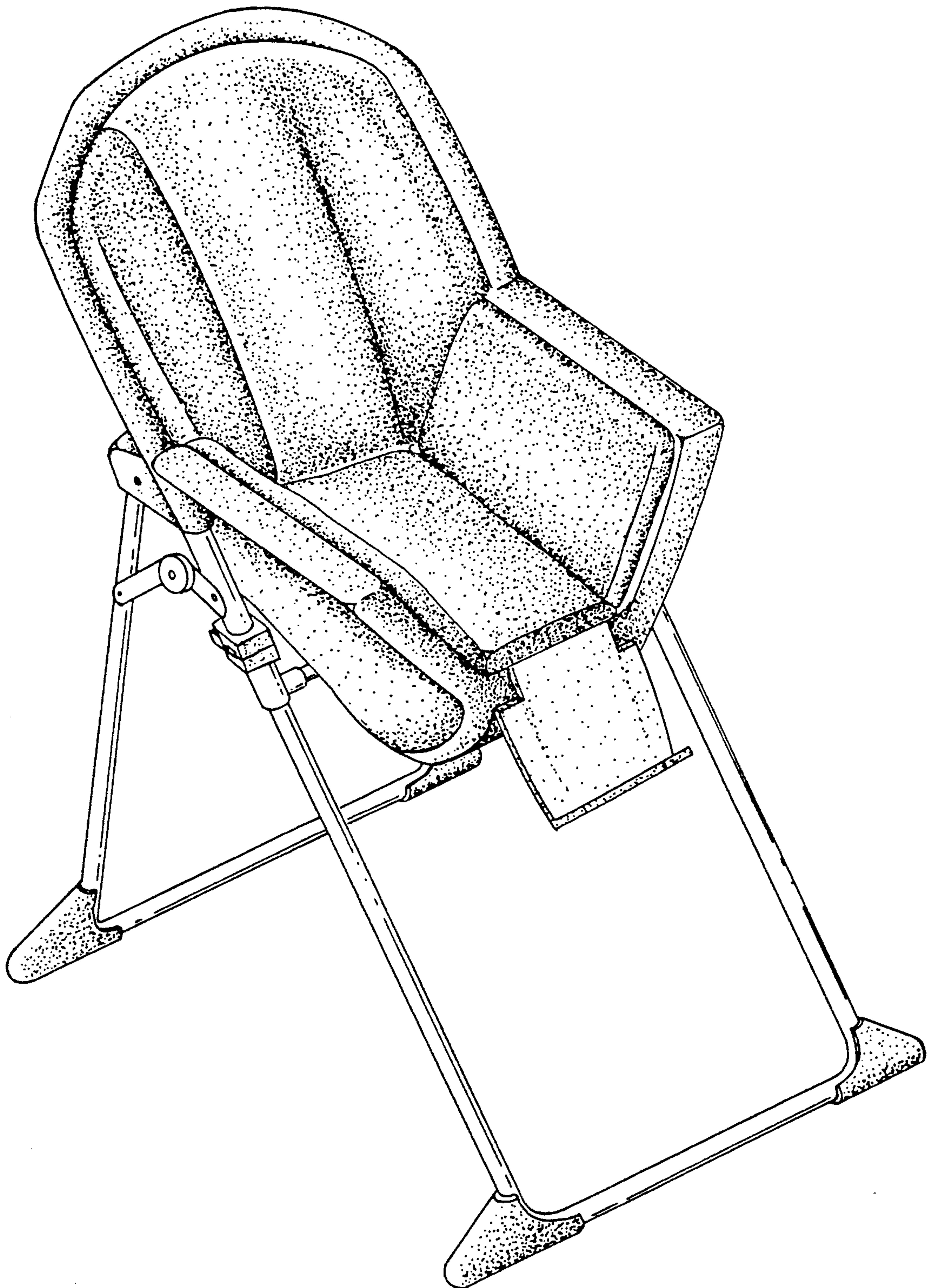


FIG - 9

