



US00D344188S

United States Patent [19]

[11] Patent Number: Des. 344,188

Dominguez et al.

[45] Date of Patent: ** Feb. 15, 1994

[54] PICTURE FRAME

3,936,967	2/1976	Davis	40/597 X
4,271,619	6/1981	Schmidt	40/154
4,529,278	7/1985	Nugent	D6/300 X

[76] Inventors: Cary Dominguez; Leo Dominguez, both of 13230 SW. 25th Ter., Miami, Fla. 33175

OTHER PUBLICATIONS

G&DA-Apr. 1988, p. 6, Triangular Frame center bottom.

[**] Term: 14 Years

Primary Examiner—Nelson C. Holtje
Assistant Examiner—J. E. Seeger

[21] Appl. No.: 933,040

[22] Filed: Aug. 20, 1992

[52] U.S. Cl. D6/303; D6/312; D6/314

[57] CLAIM

[58] Field of Search D6/300-303, D6/306, 308, 310-314, 470; 40/597, 152-152.2, 154-156, 158.1-159.1; 248/466-469; D20/10

The ornamental design for a picture frame, as shown and described.

DESCRIPTION

[56] References Cited

U.S. PATENT DOCUMENTS

D. 311,029	10/1990	Nielson	D20/42 X
D. 318,198	7/1991	Francetic	D6/470
D. 332,354	1/1993	Fitzgibbon	D6/300
914,777	3/1909	Aarons	40/597
2,991,577	7/1961	Bellocchio	D6/300 X
3,760,521	9/1973	Barraya	40/152

FIG. 1 is a front elevational view of a picture frame showing our new design; FIG. 2 is a top plan view thereof; FIG. 3 is a left side elevational view thereof; FIG. 4 is a rear view thereof; FIG. 5 is a bottom plan view thereof; and, FIG. 6 is a right side elevational view thereof. The broken lines in FIGS. 1 and 4 are for environmental purposes only and form no part of the claimed design.

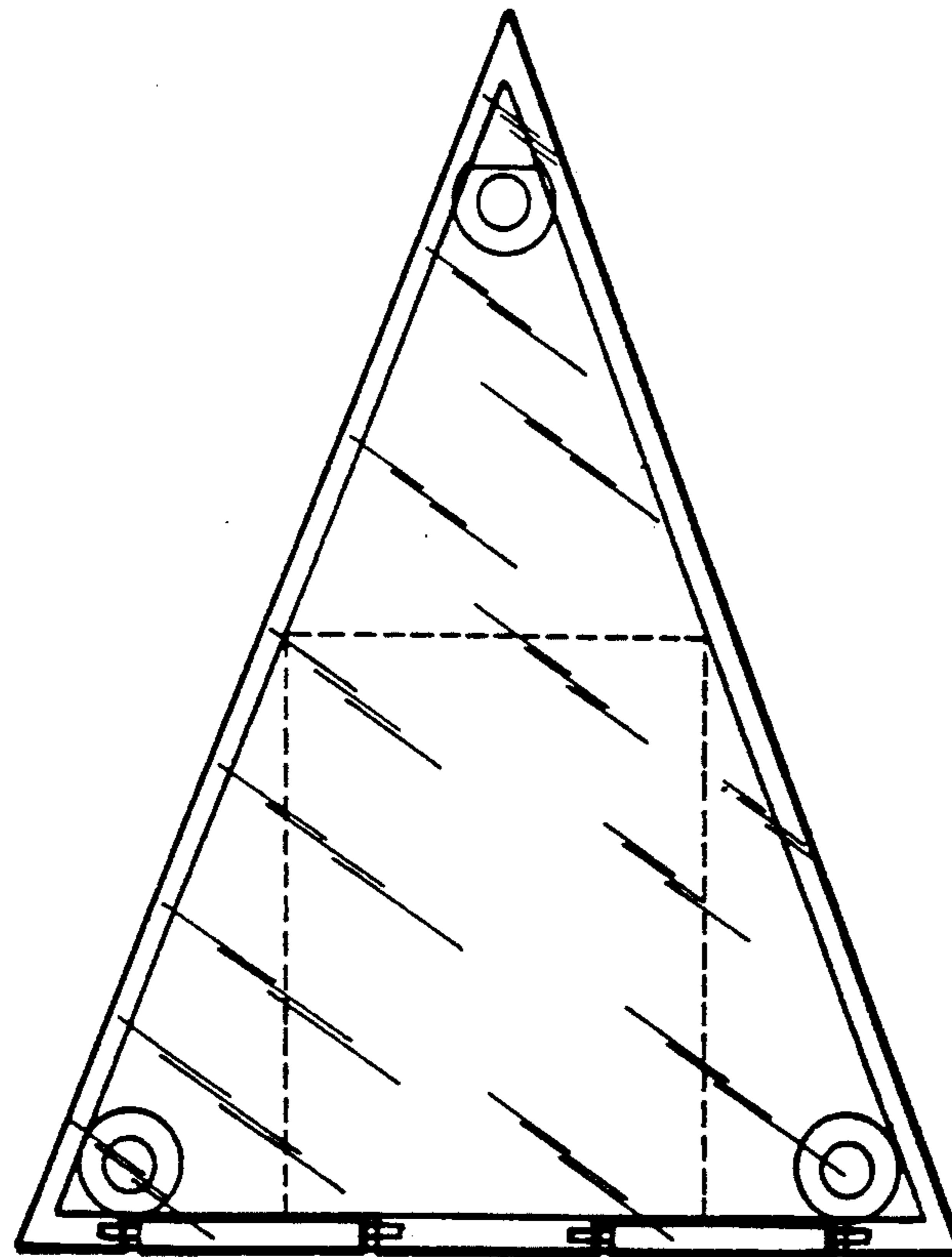




FIG. 2

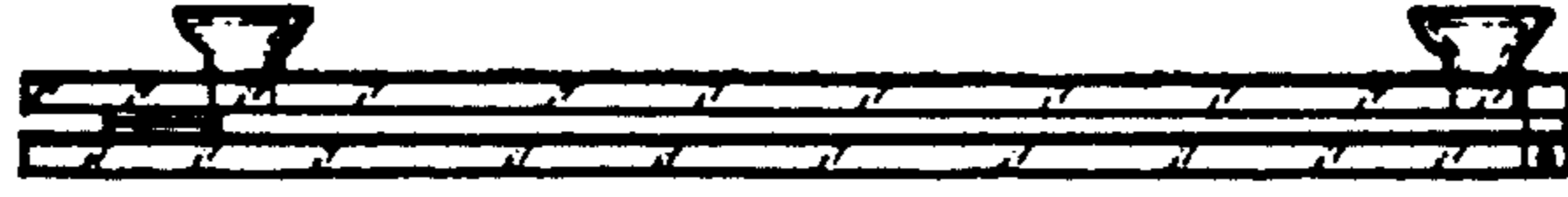


FIG. 6

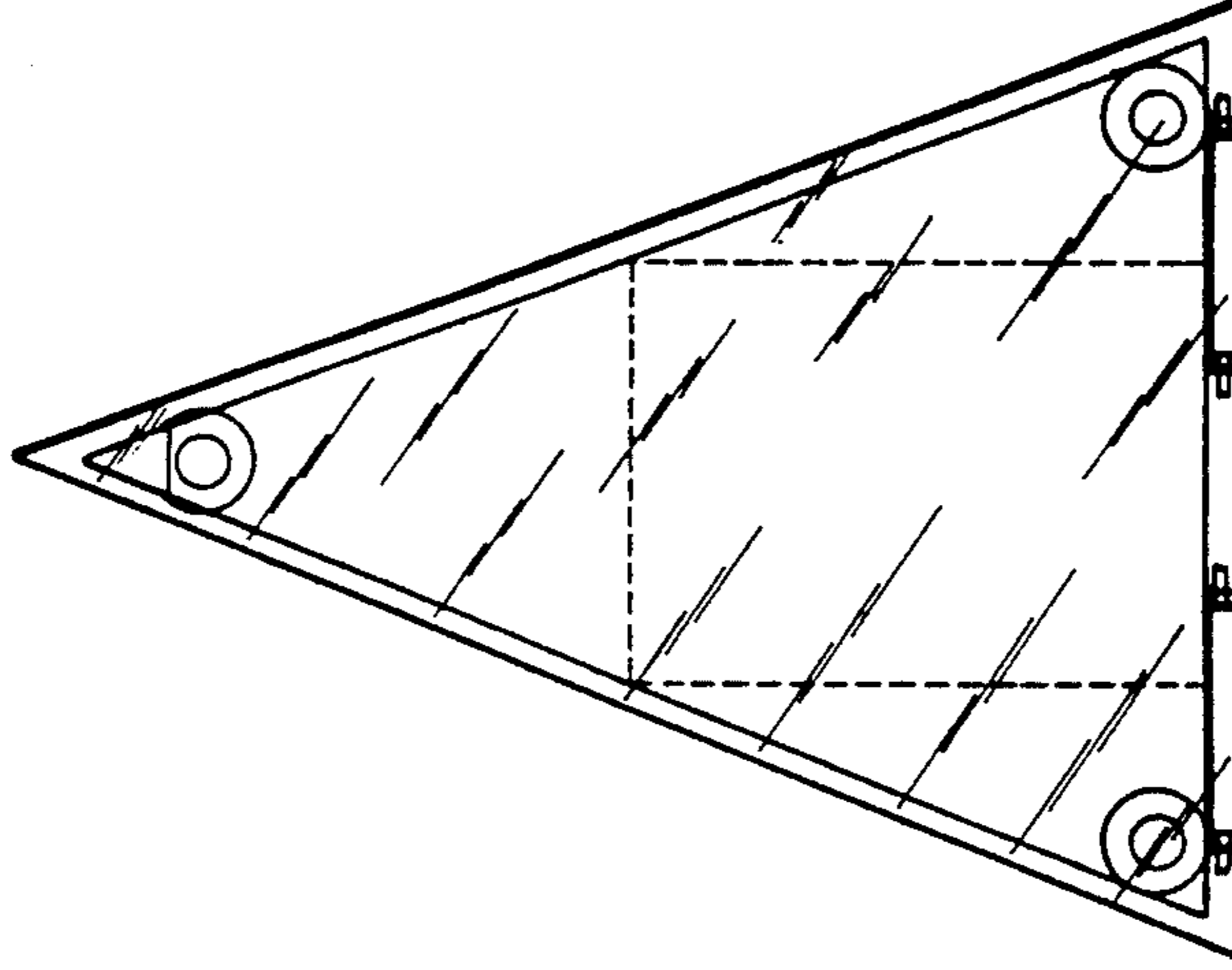


FIG. 1

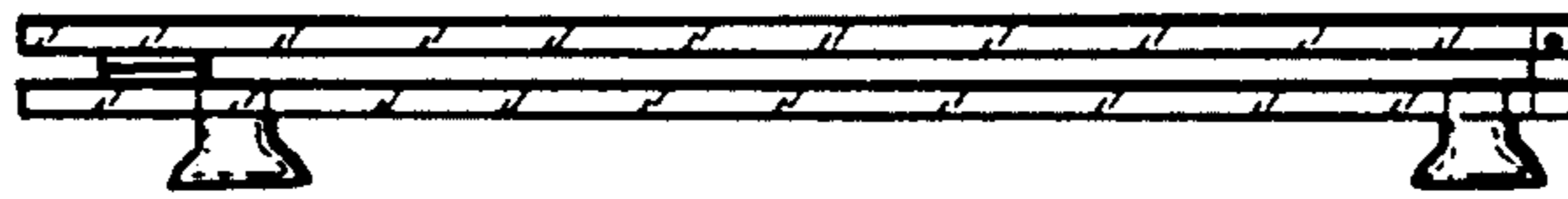


FIG. 3

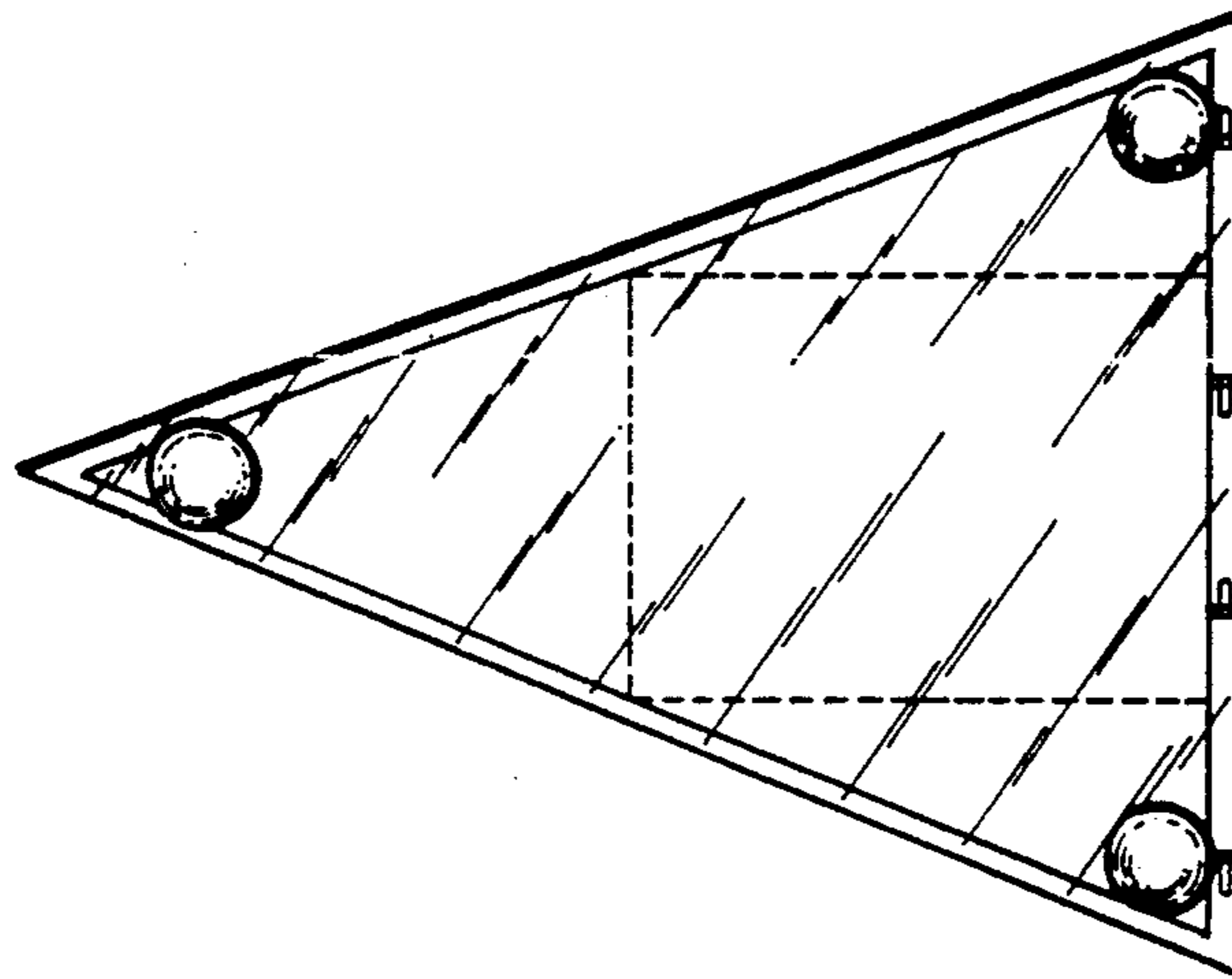


FIG. 4



FIG. 5