



US00D344187S

United States Patent [19]

[11] Patent Number: **Des. 344,187**

Haskins

[45] Date of Patent: **** Feb. 15, 1994**

[54] **TAPE MEASURE CLEANING DEVICE**

5,056,180 10/1991 Stanton 15/118

[76] Inventor: **James M. Haskins**, 65 High Ridge Rd. #341, Stamford, Conn. 06902

Primary Examiner—Wallace R. Burke
Assistant Examiner—Lavone D. Tabor
Attorney, Agent, or Firm—Terry M. Gernstein

[**] Term: **14 Years**

[57] **CLAIM**

[21] Appl. No.: **873,072**

The ornamental design for a tape measure cleaning device, as shown and described.

[22] Filed: **Apr. 24, 1992**

[52] U.S. Cl. **D4/120; D32/40**

[58] Field of Search **D4/119-120; D8/373; 15/118, 220.3, 220.4, 244.1, 210.1; 33/770; D32/35, 40, 43, 61, 64**

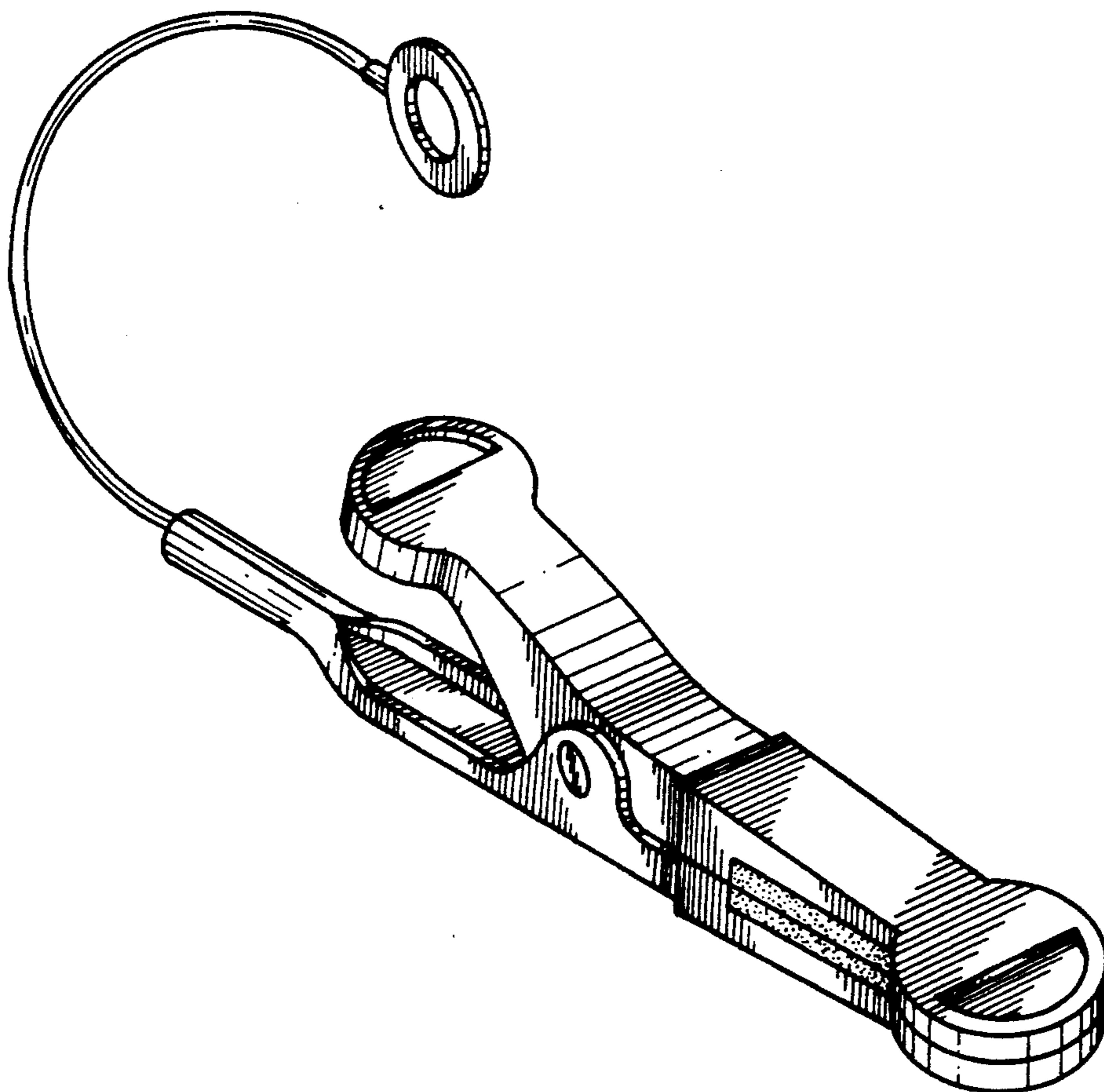
DESCRIPTION

[56] **References Cited**

U.S. PATENT DOCUMENTS

D. 293,980	2/1988	Bilbrey et al.	D4/120
D. 328,418	8/1992	Beckland	D8/373
421,133	2/1890	Grierson .	
1,006,056	10/1911	Bowers .	
1,876,744	9/1932	Posgate .	

FIG. 1 is a perspective view of the tape measure cleaning device embodying the design of the present invention;
FIG. 2 is a front elevational view thereof, the ringed cord being in an alternate position;
FIG. 3 is a rear elevational view thereof;
FIG. 4 is a side elevational view thereof, the side opposite being a mirror image of the side shown in FIG. 4;
FIG. 5 is a top plan view thereof; and,
FIG. 6 is a bottom view thereof.



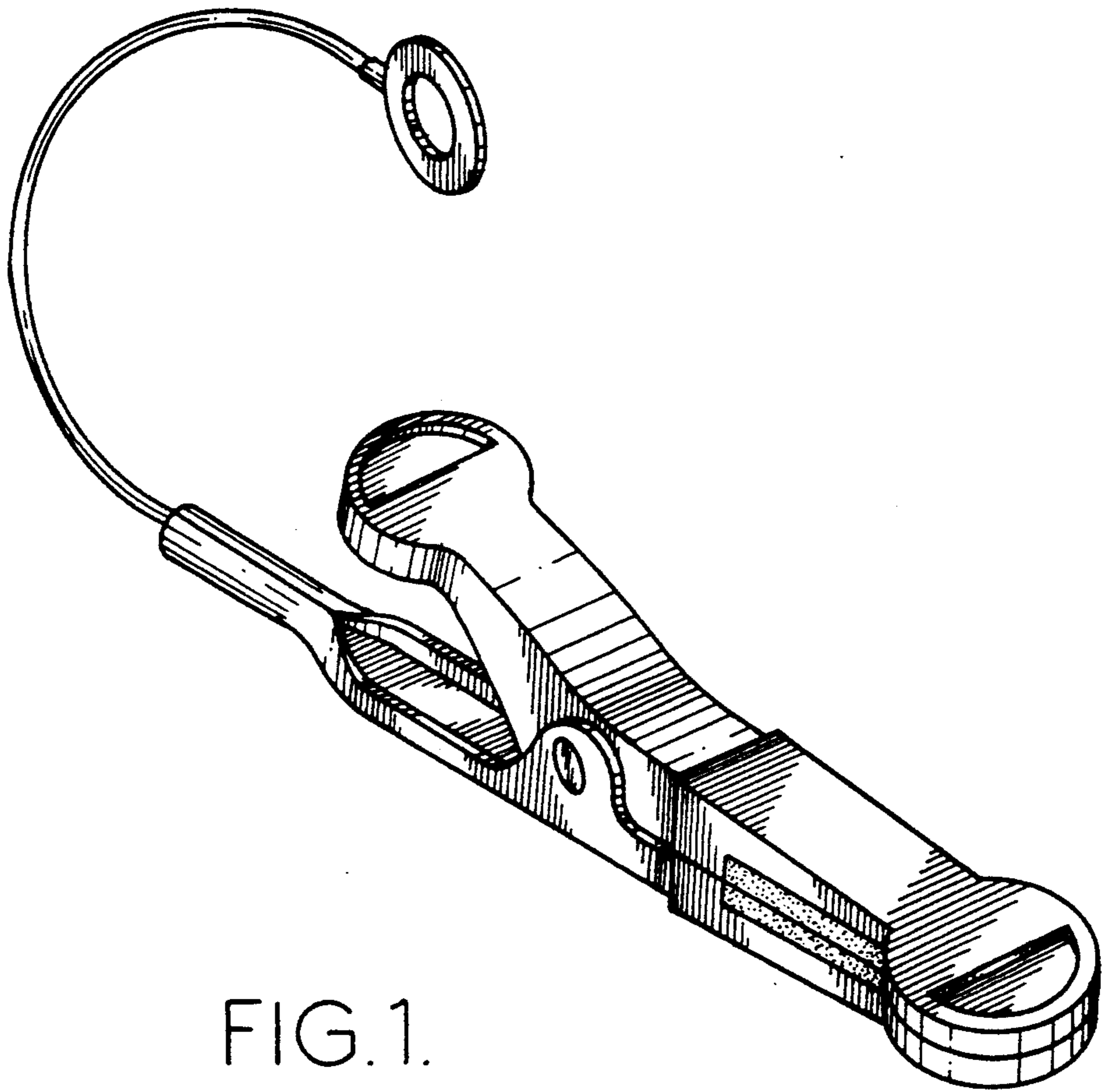


FIG. 1.

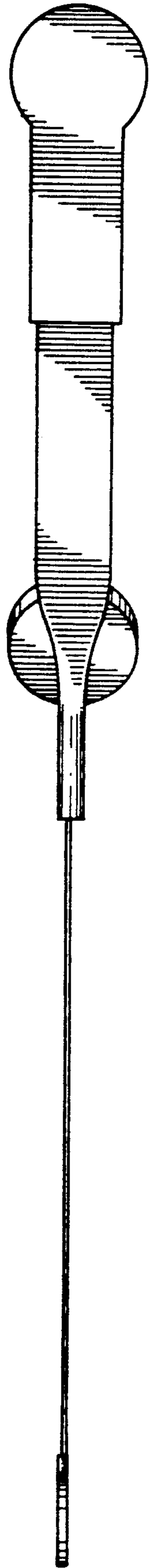


FIG. 6.

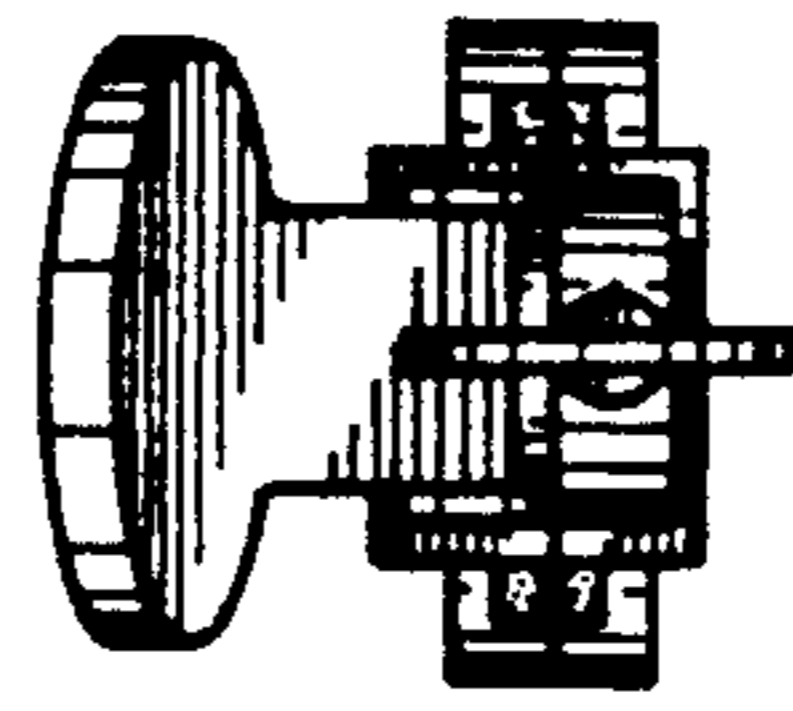


FIG. 3.

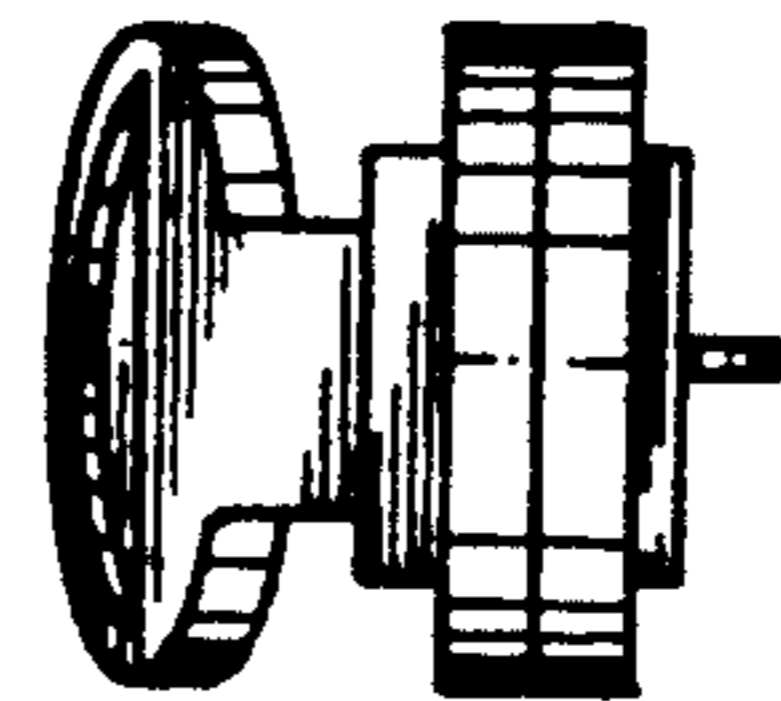


FIG. 2.

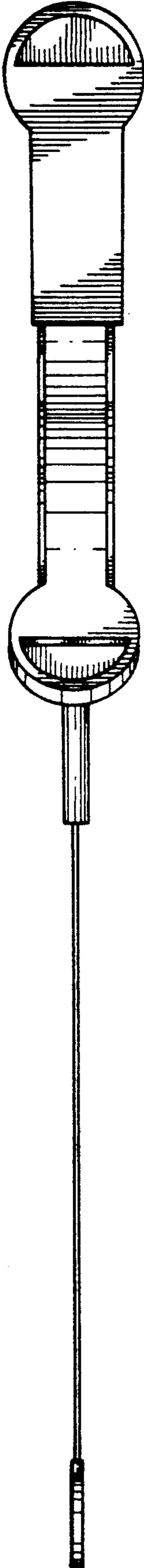


FIG. 5.

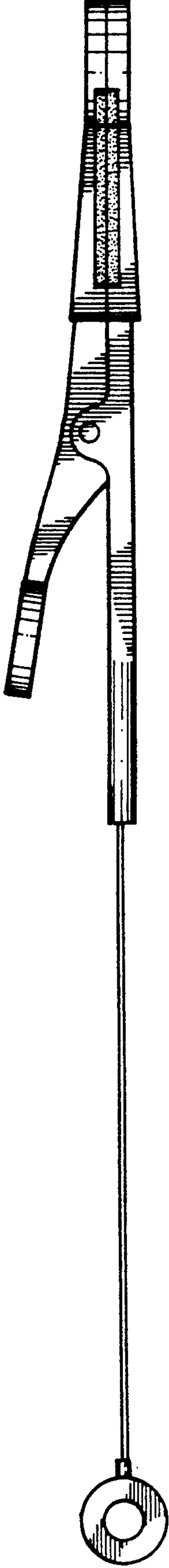


FIG. 4.