



US00D344184S

# United States Patent [19]

[11] Patent Number: Des. 344,184

Barker

[45] Date of Patent: \*\* Feb. 15, 1994

[54] BAG

[76] Inventor: **R. Marshall Barker**, 2170 Bankston Cir., Snellville, Ga. 30278

[\*\*] Term: **14 Years**

[21] Appl. No.: **856,940**

[22] Filed: **Mar. 24, 1992**

[52] U.S. Cl. .... **D3/231; D3/283**

[58] Field of Search ..... **D3/76, 30.1, 71, 77, D3/48; 383/2; 190/109, 108, 112, 111, 113-115; 206/316.1, 315.9, 316.2**

3,696,850 10/1972 Rosenblum ..... 190/108  
 4,095,636 6/1978 Urion et al. .... 206/315.9 X  
 4,126,256 11/1978 McGruder .  
 4,391,396 7/1983 Brady .

*Primary Examiner*—Bernard Ansher  
*Assistant Examiner*—Paula Mortimer  
*Attorney, Agent, or Firm*—Kilpatrick & Cody

### [57] CLAIM

The ornamental design for a bag, as shown and described.

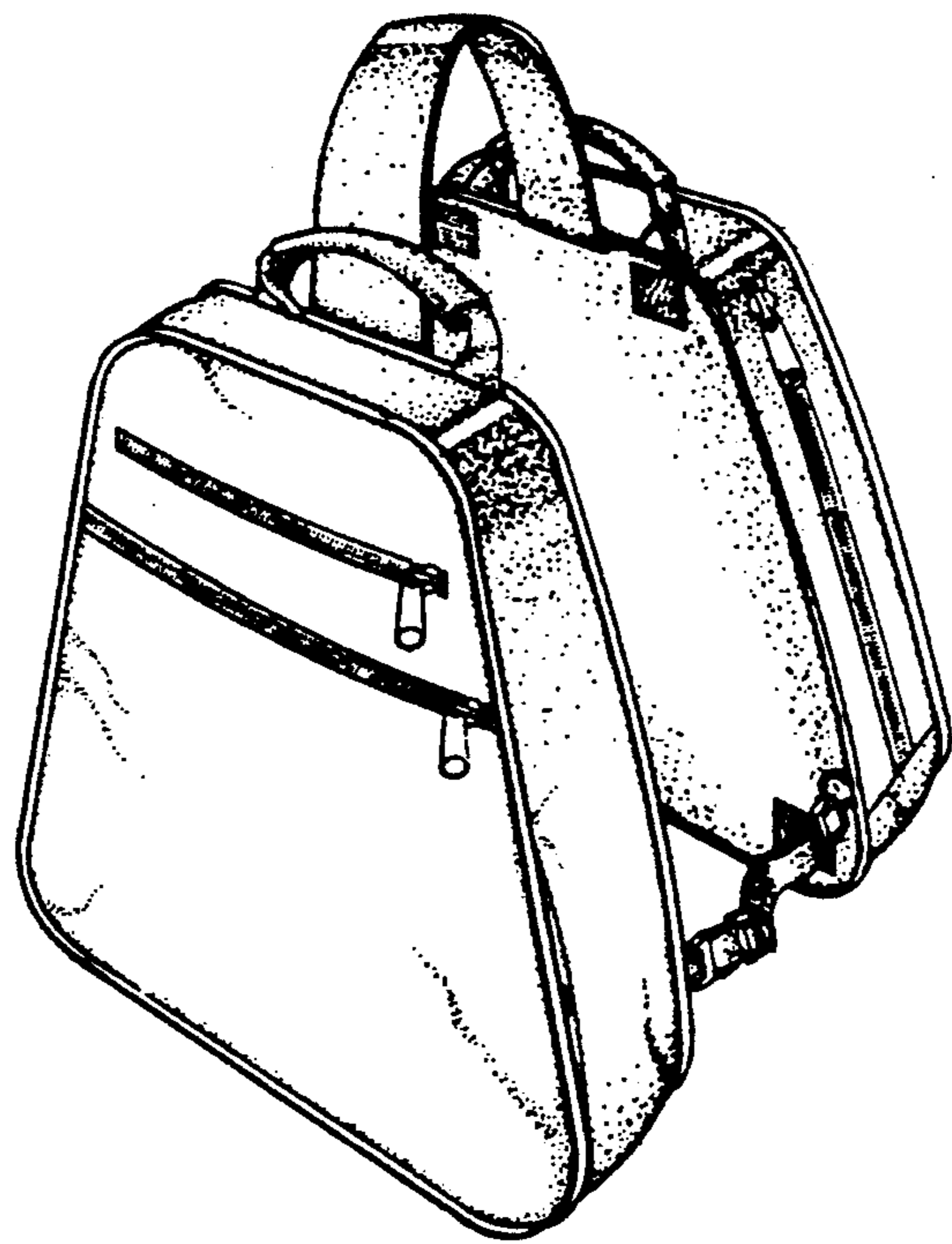
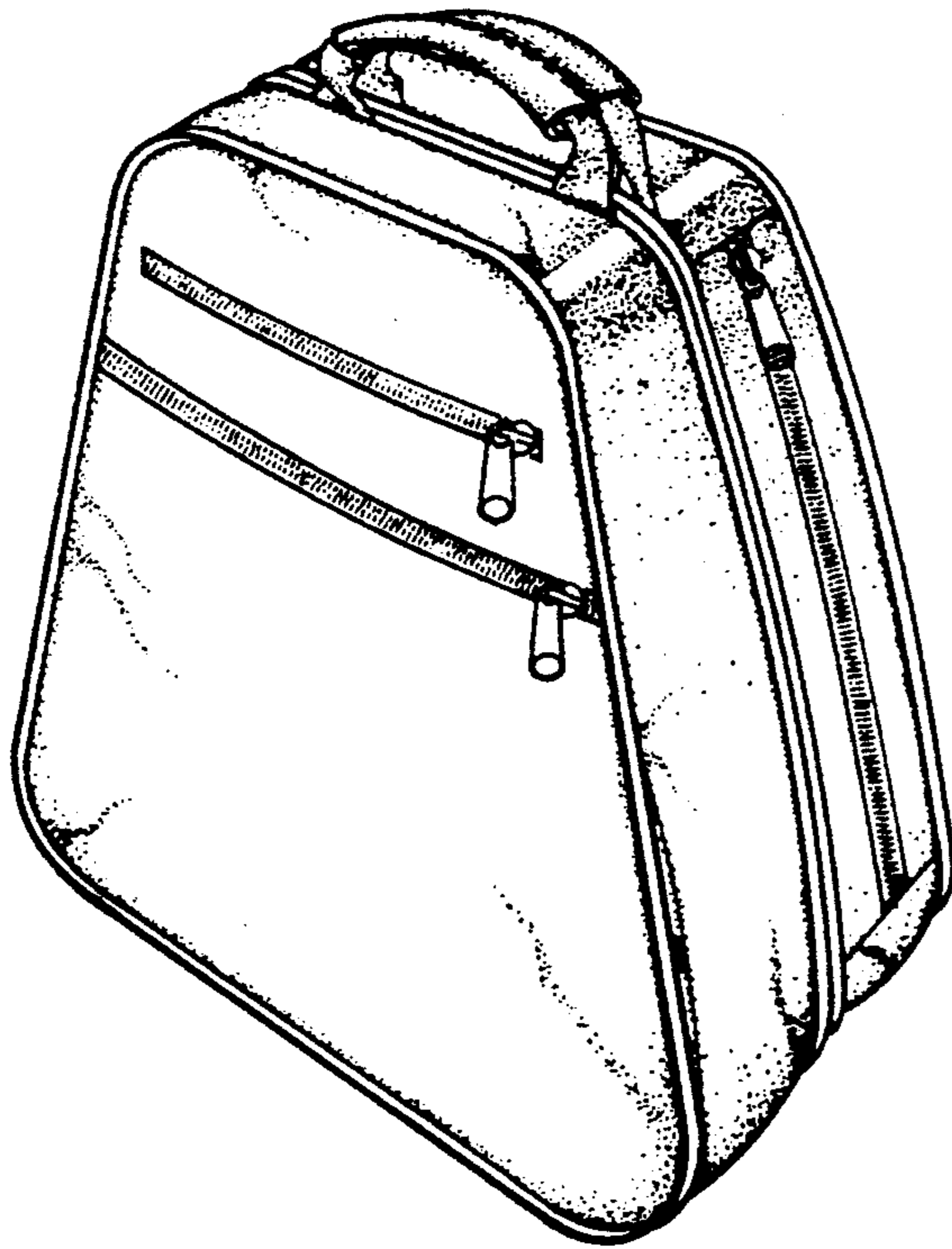
### DESCRIPTION

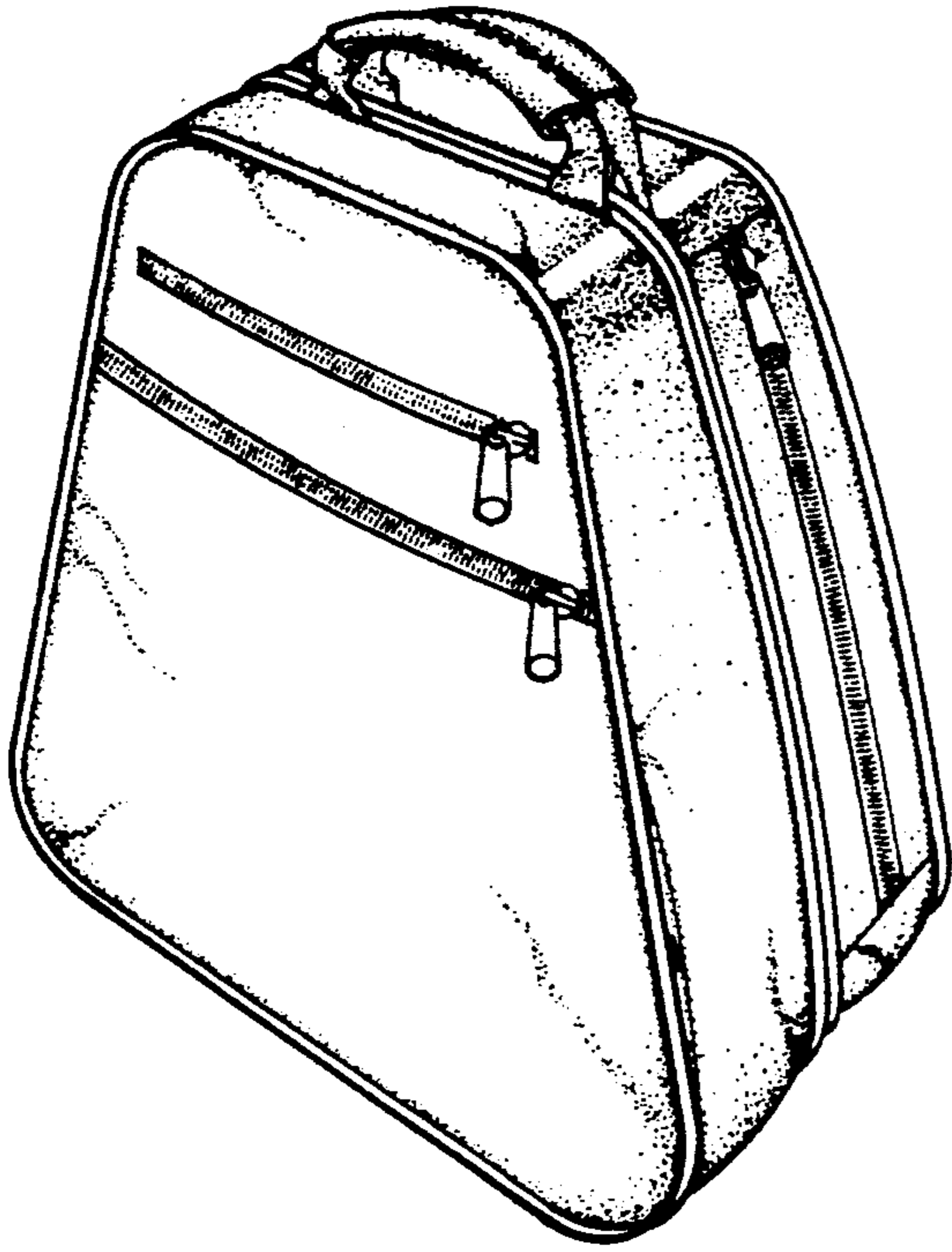
FIG. 1 is a front perspective view of a bag showing my new design;  
 FIG. 2 is a side elevational view of the bag of FIG. 1;  
 FIG. 3 is a front elevational view of the bag of FIG. 1;  
 FIG. 4 is a top plan view of the bag of FIG. 1;  
 FIG. 5 is a bottom plan view of the bag of FIG. 1;  
 FIG. 6 is a perspective view of the bag of FIG. 1 in separated configuration;  
 FIG. 7 is a side elevational view of the separated bag of FIG. 6;  
 FIG. 8 is a front elevational view of the separated bag of FIG. 6;  
 FIG. 9 is a top plan view of the separated bag of FIG. 6; and,  
 FIG. 10 is a bottom plan view of the separated bag of FIG. 6.

[56] **References Cited**

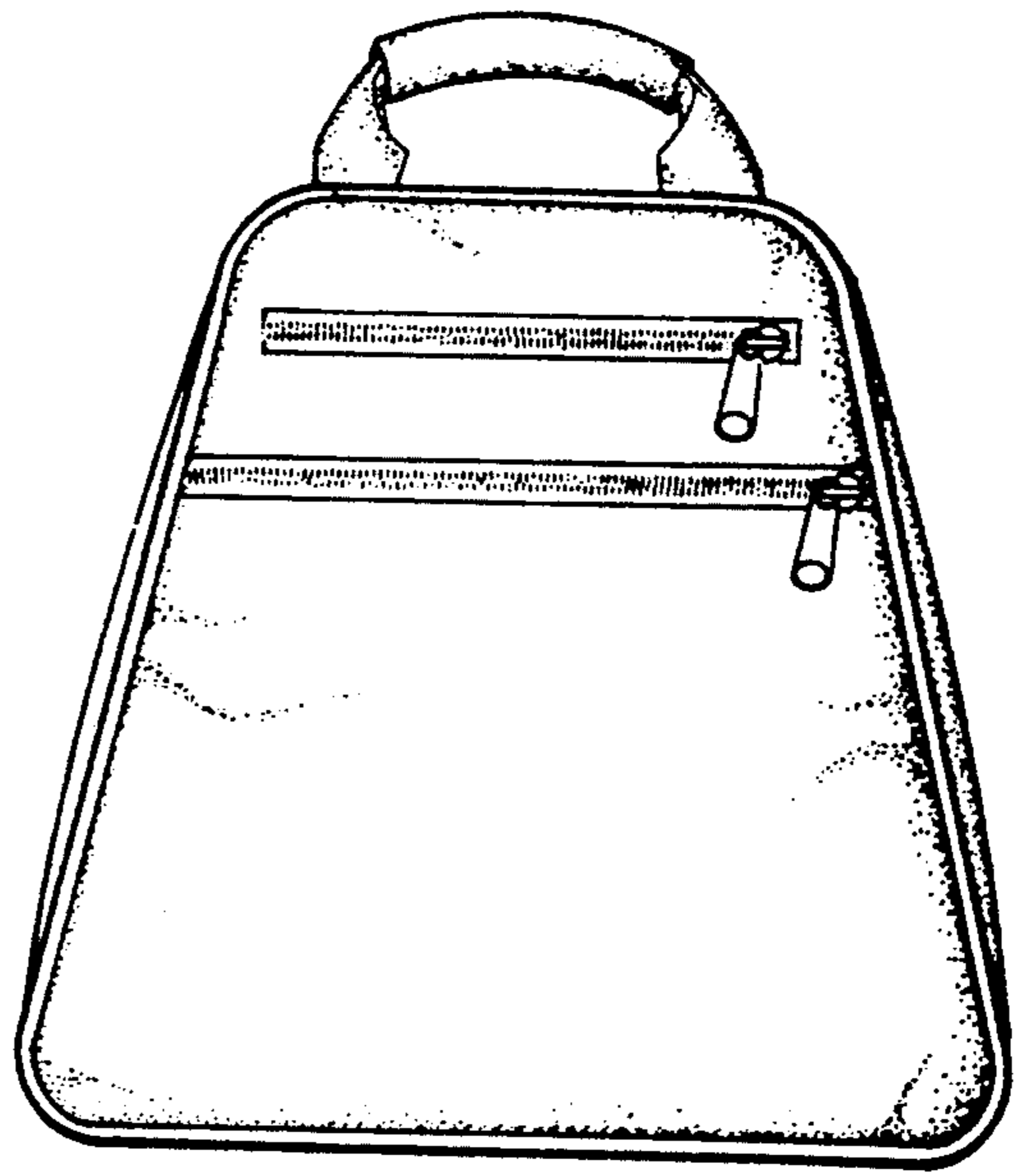
**U.S. PATENT DOCUMENTS**

D. 138,364	7/1944	Graham	.....	D3/71
D. 147,547	9/1947	Graham	.	
D. 227,818	7/1973	Dipadova	.	
D. 250,614	12/1978	Stewart	.	
D. 254,343	3/1980	Babcock	.	
D. 258,098	2/1981	Norinsky	.	
D. 263,351	3/1982	Monaco	.	
D. 265,969	8/1982	Koszegi	.	
D. 272,428	1/1984	Kelley	.	
D. 278,225	4/1985	Heiman et al.	.	
2,372,971	4/1945	Moore	.	
2,672,263	3/1954	Alber	.	
3,115,228	12/1963	Louik et al.	.....	D3/76 X
3,388,777	6/1968	Nolan	.....	190/109
3,564,590	2/1971	Hebel	.	

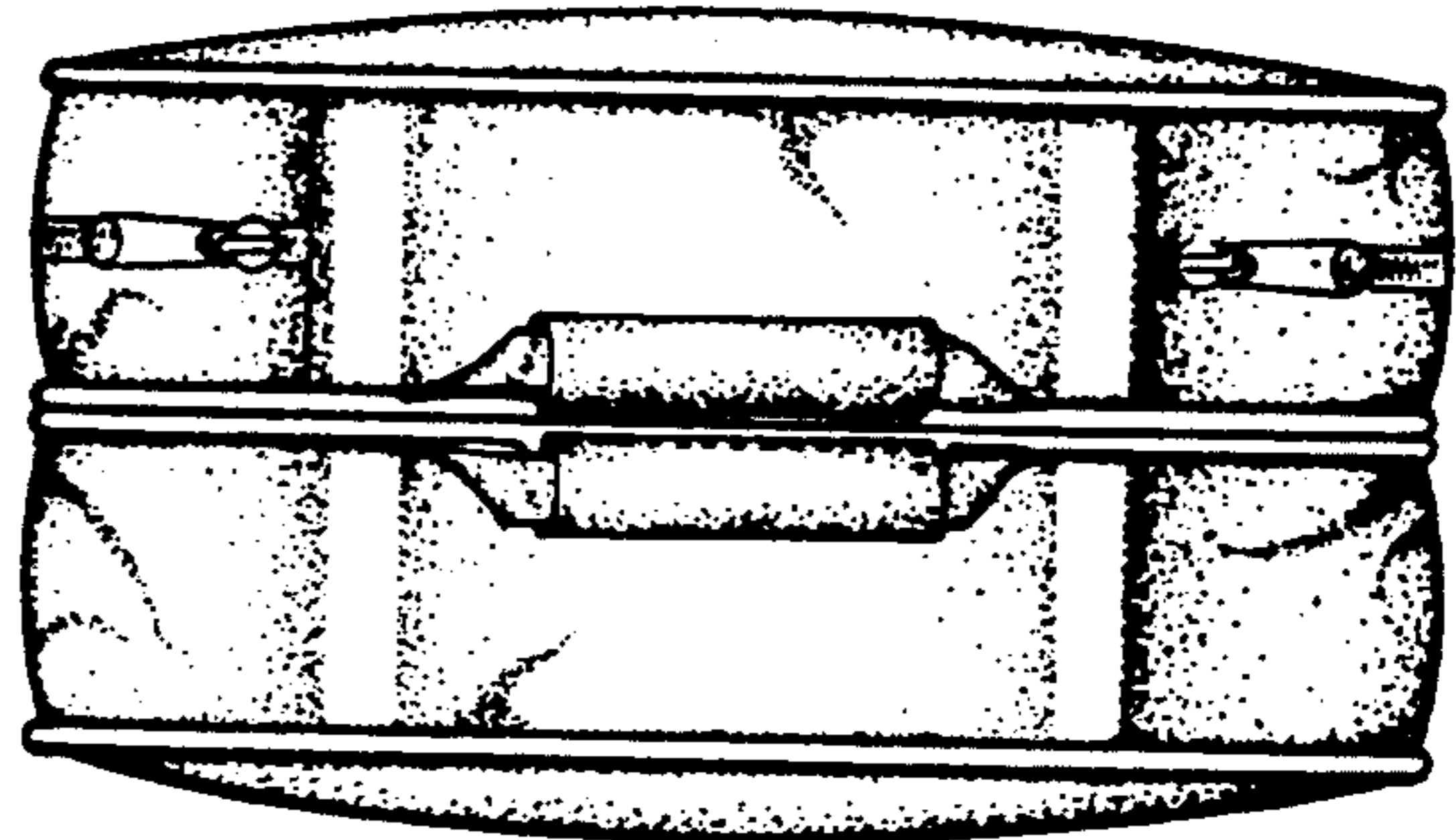




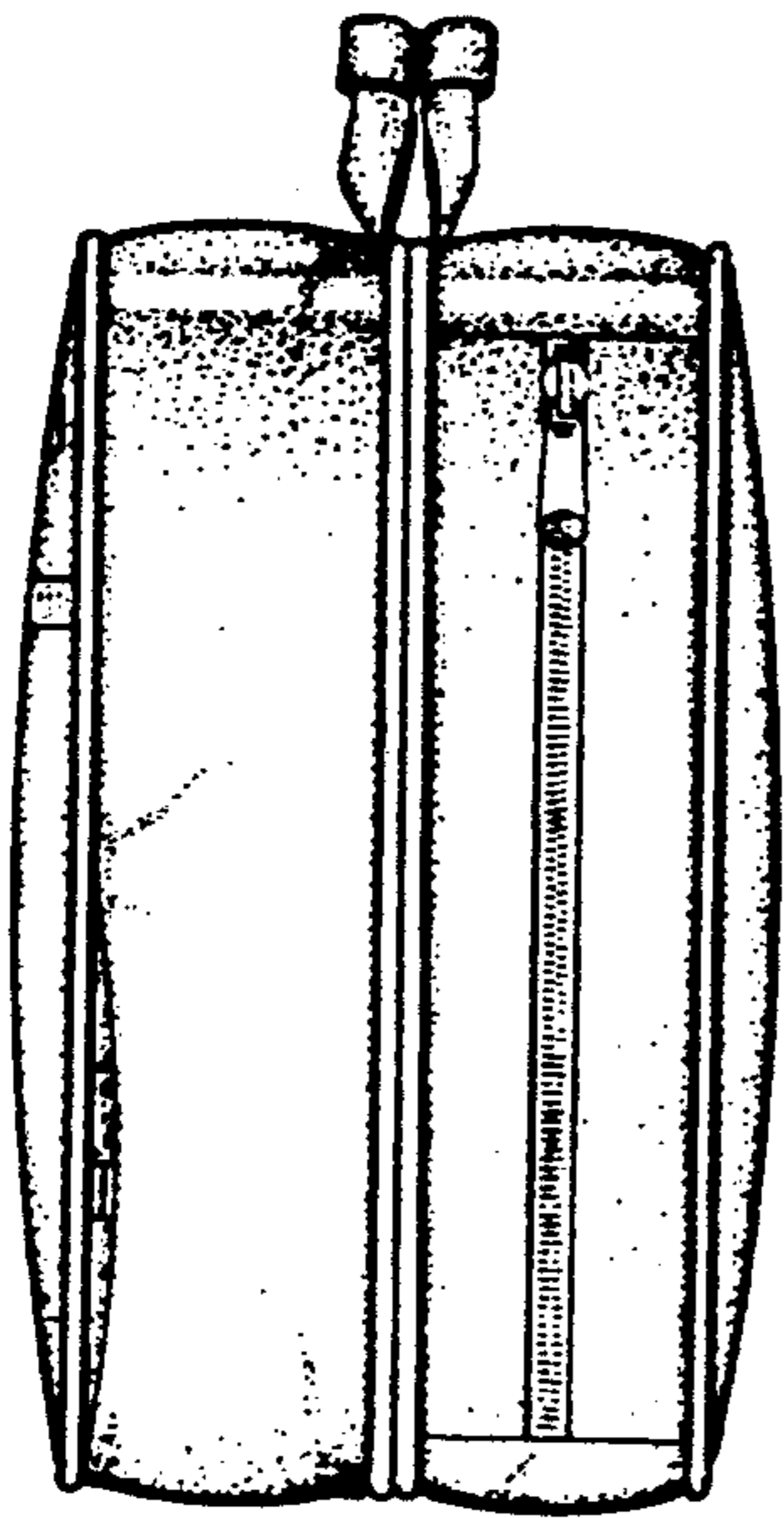
**FIG 1**



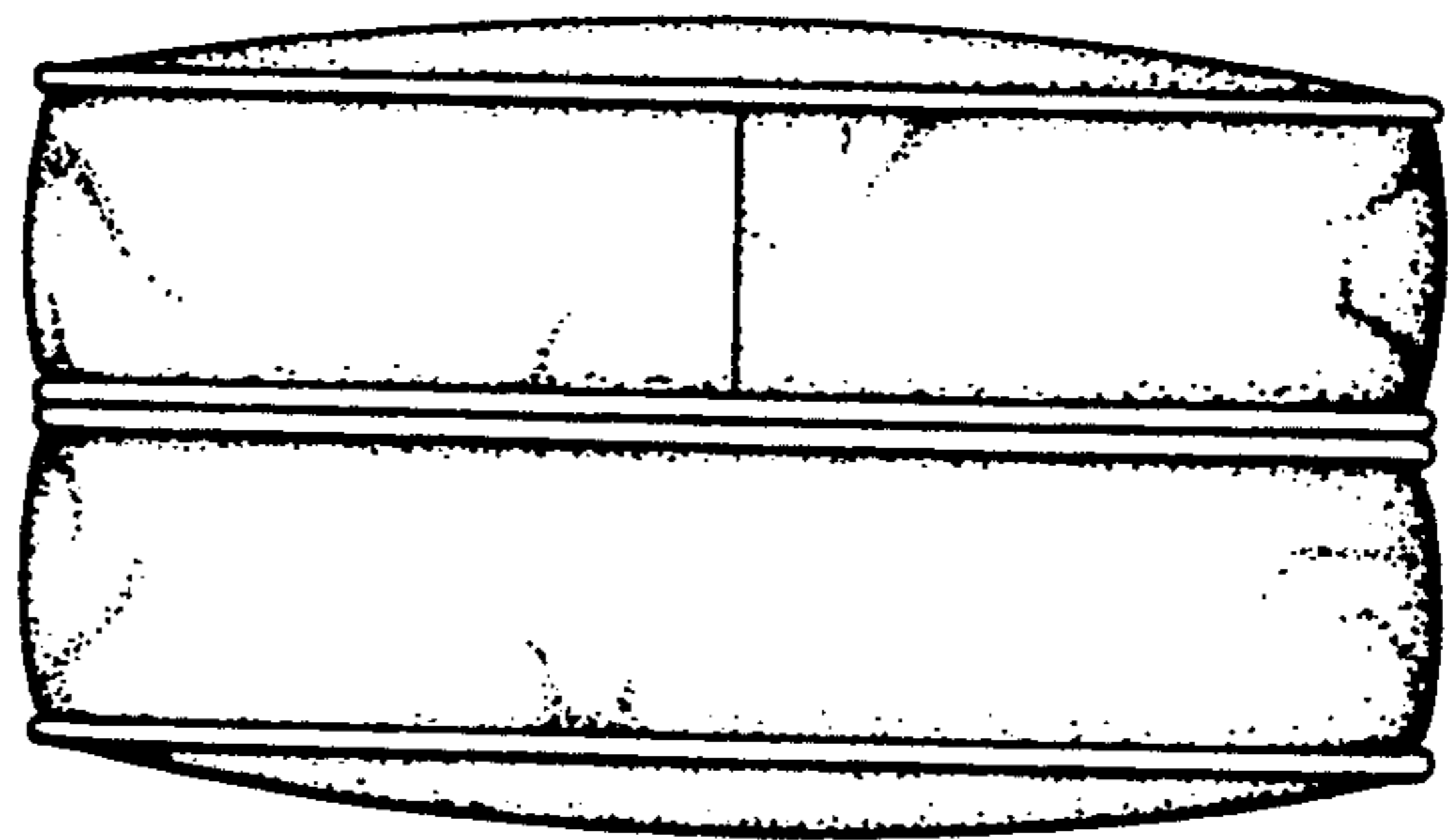
**FIG 3**



**FIG 4**

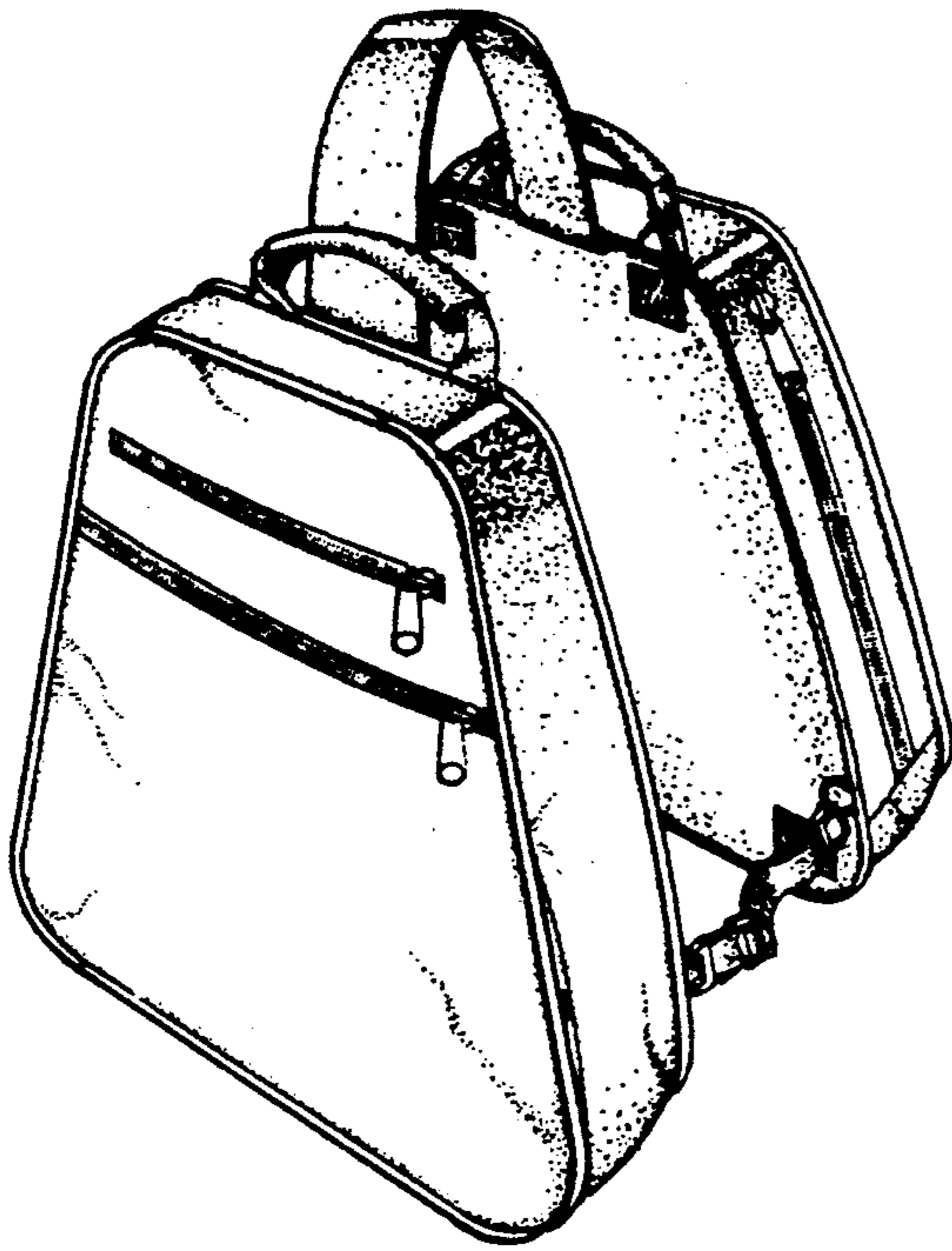


**FIG 2**

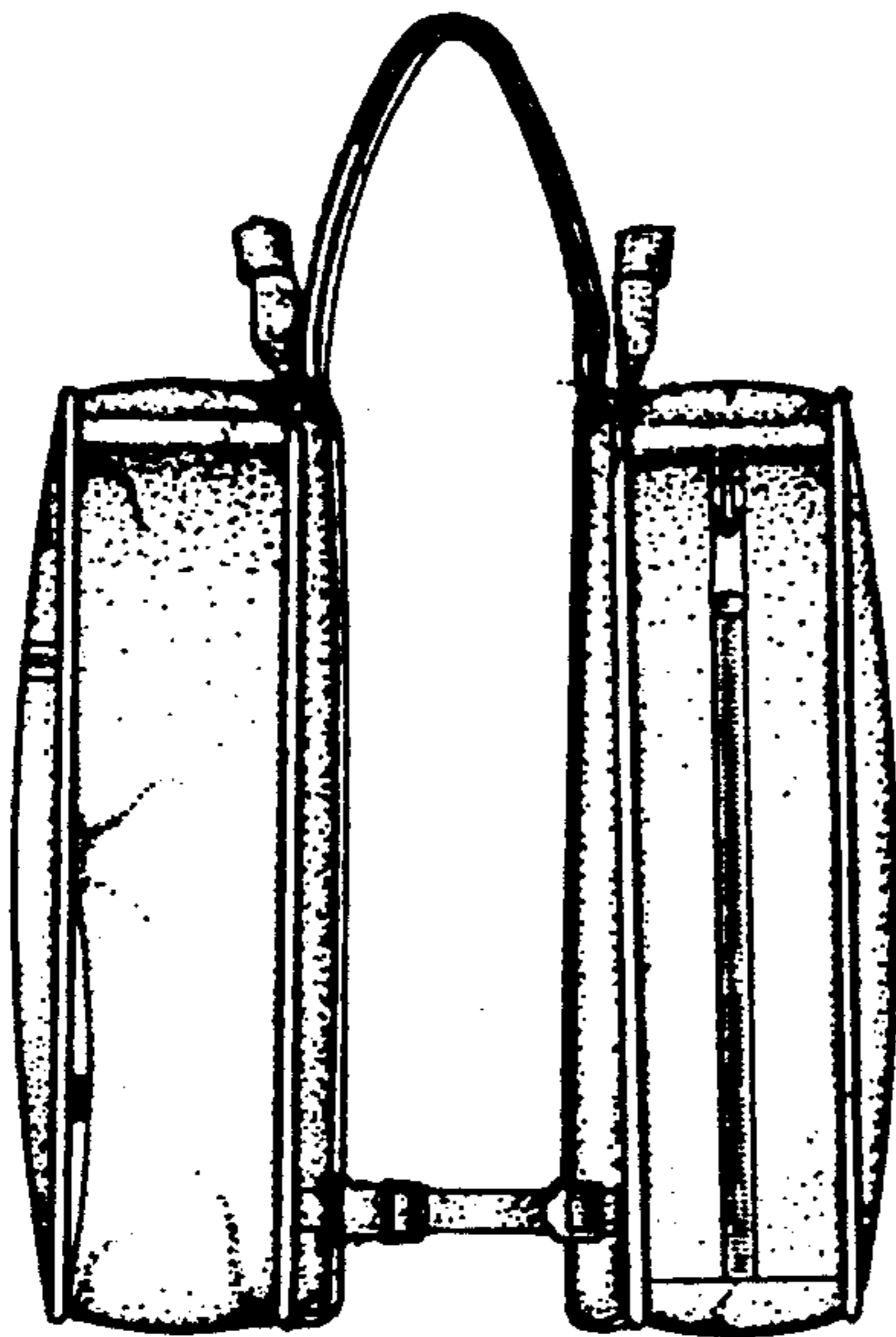


**FIG 5**

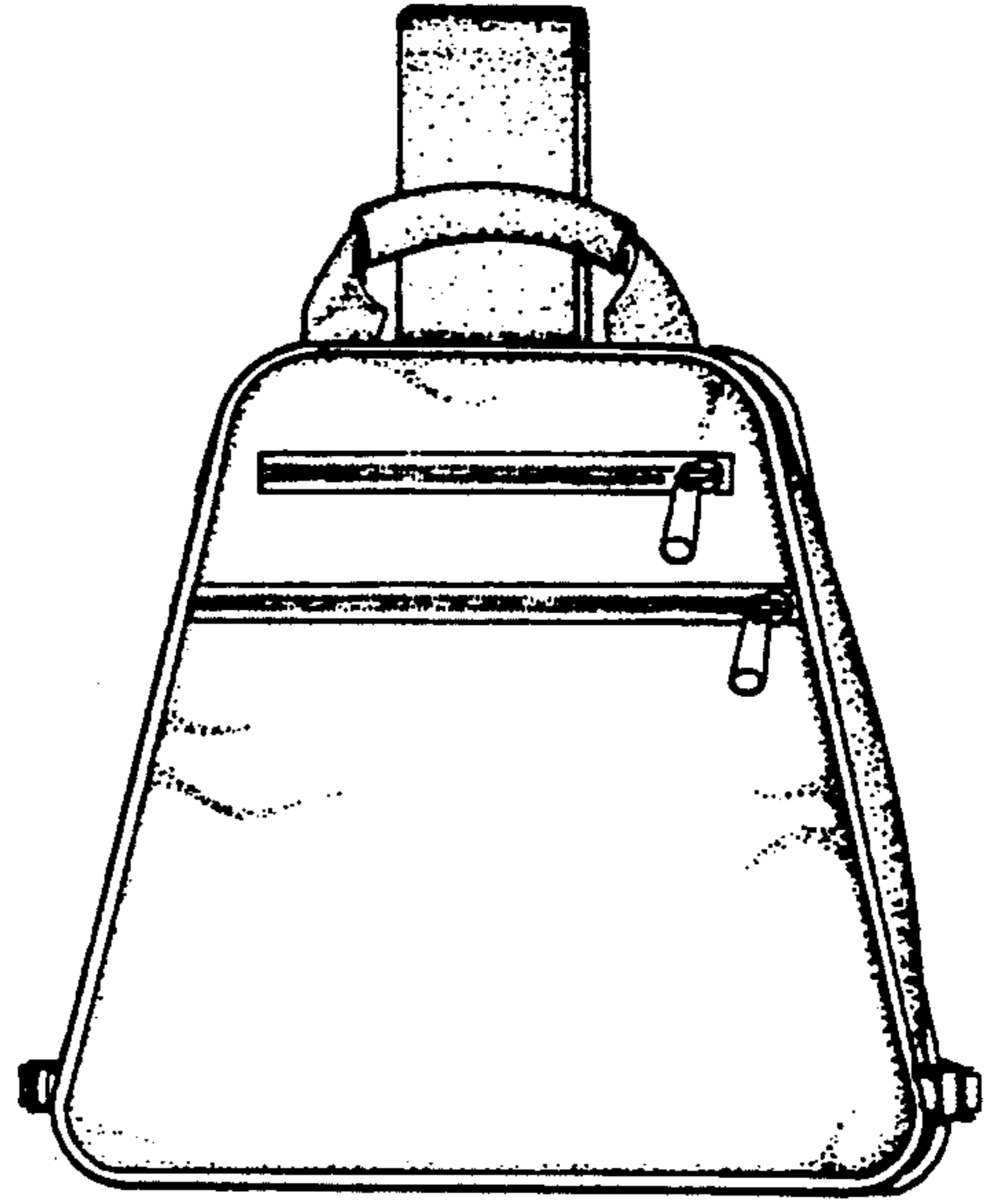




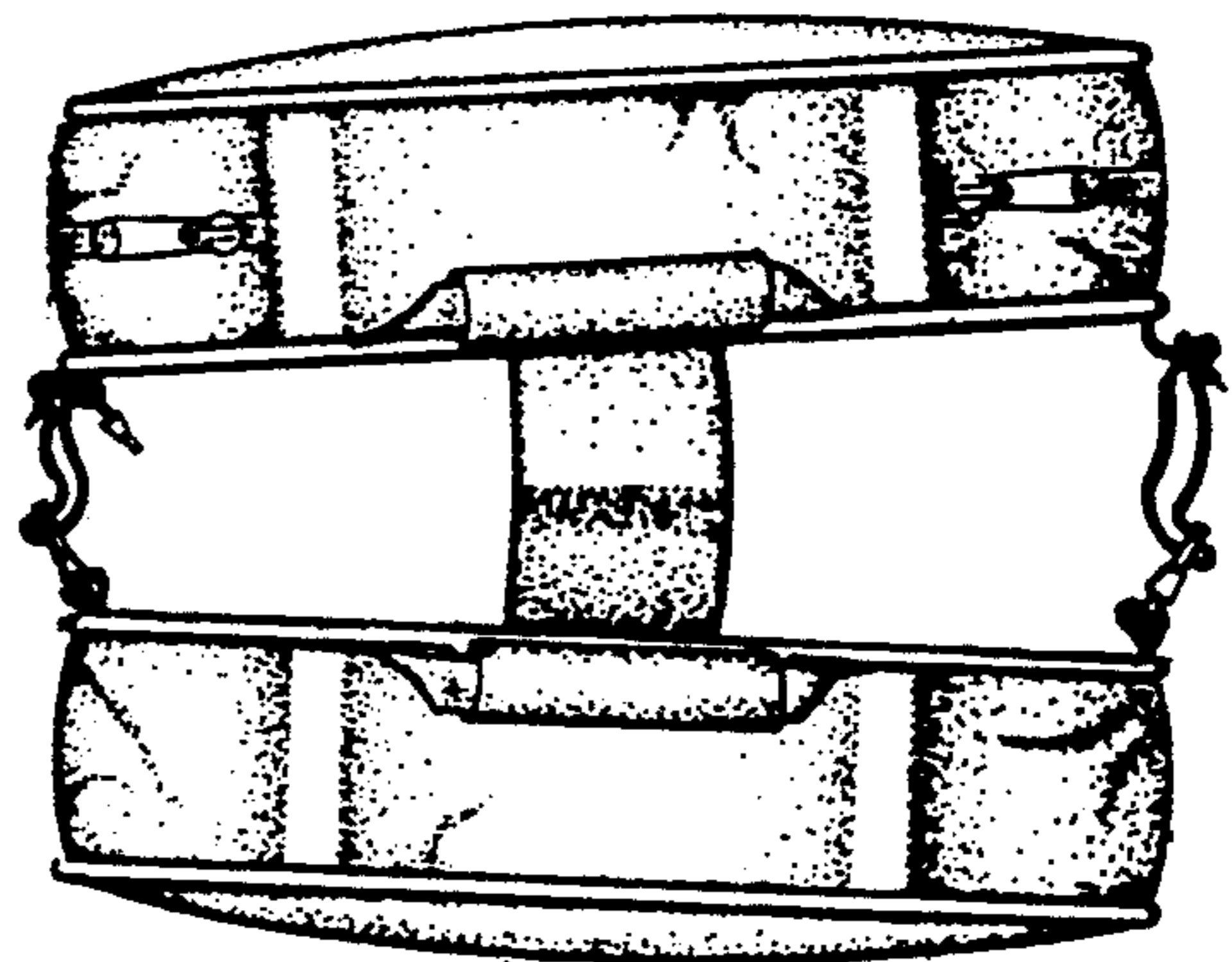
**FIG 6**



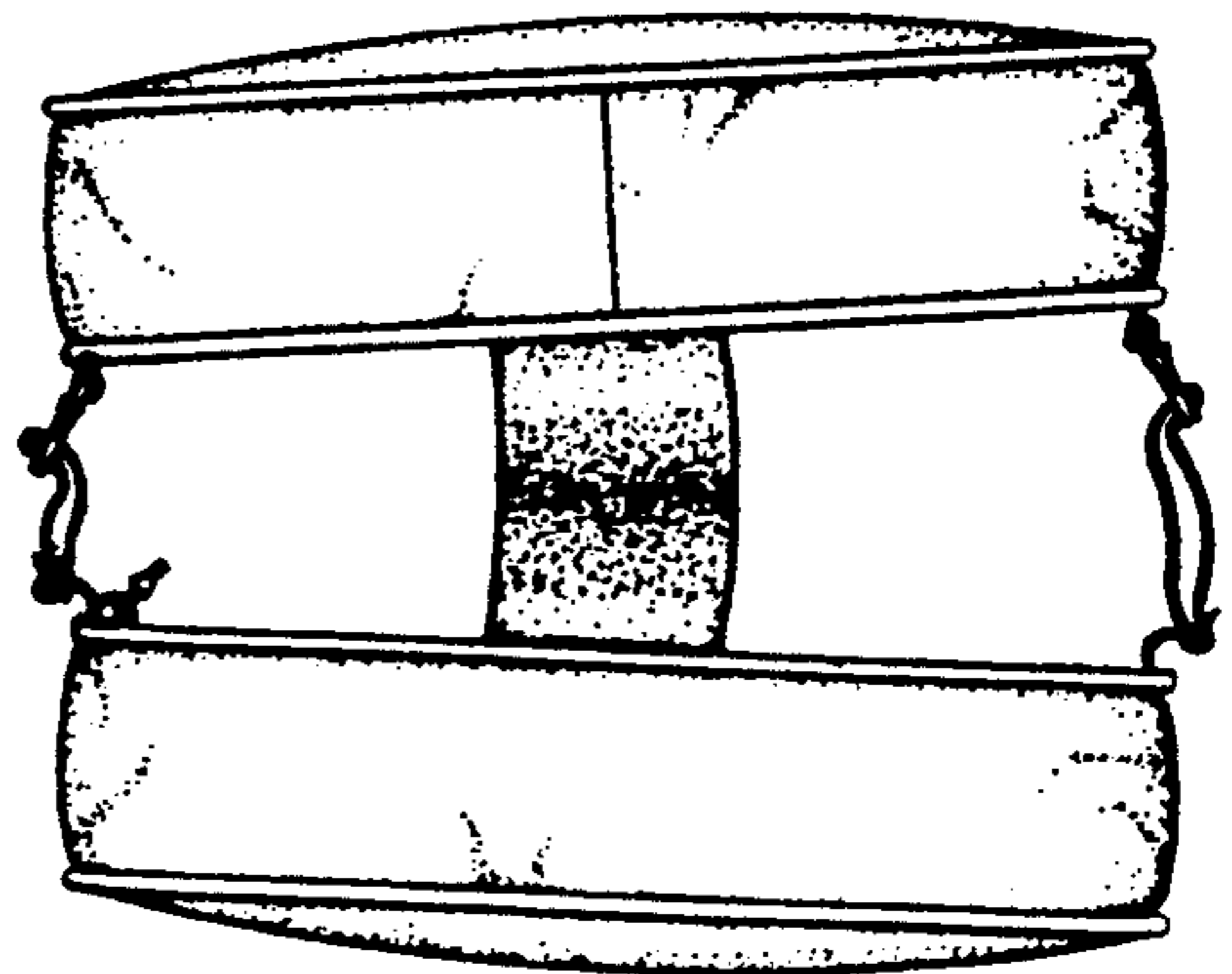
**FIG 7**



**FIG 8**



**FIG 9**



**FIG 10**