



US00D344180S

United States Patent [19]

[11] Patent Number: **Des. 344,180**

Garcia

[45] Date of Patent: **** Feb. 15, 1994**

[54] **VEHICLE DOCUMENT ORGANIZER BAG**

D. 328,184 5/1992 Krugman D3/39
5,025,928 6/1991 Orosy et al. 383/11 X

[76] Inventor: **Christopher R. Garcia**, R.R. 1, Box 16C, Adel, Iowa 50003

Primary Examiner—Louis S. Zarfaz
Attorney, Agent, or Firm—James Birkenholz

[**] Term: **14 Years**

[57] **CLAIM**

[21] Appl. No.: **659,930**

The ornamental design of a vehicle document organizer bag, as shown.

[22] Filed: **Feb. 25, 1991**

[52] U.S. Cl. **D12/416; D12/422; D3/303**

DESCRIPTION

[58] **Field of Search** D3/39, 40-45, D3/48, 52-54, 71; 150/100, 103-108, 110-113, 117-119; 190/100, 103, 107-112, 117-119; 383/4, 11, 907; 224/42.11, 42.42, 307, 318

FIG. 1 is an elevated front prospective view of the vehicle document organizer bag showing my new design;

FIG. 2 is a top view thereof;

FIG. 3 is a front view thereof;

FIG. 4 is a right side view thereof;

FIG. 5 is a rear view thereof;

FIG. 6 is a left side view thereof; and,

FIG. 7 is a bottom view thereof.

[56] **References Cited**

U.S. PATENT DOCUMENTS

D. 326,017 5/1992 Orosy et al. D3/39

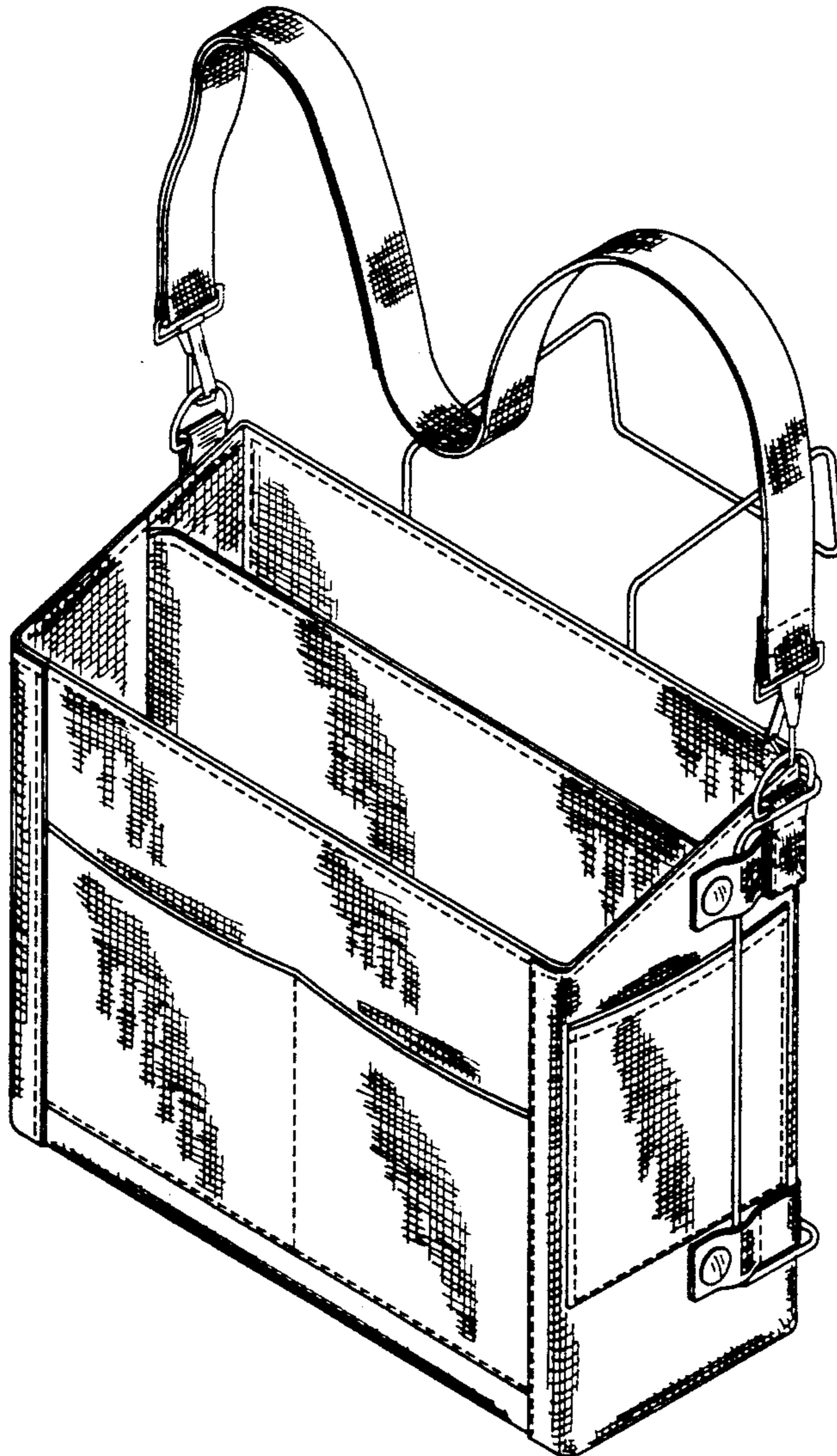


FIG. 1

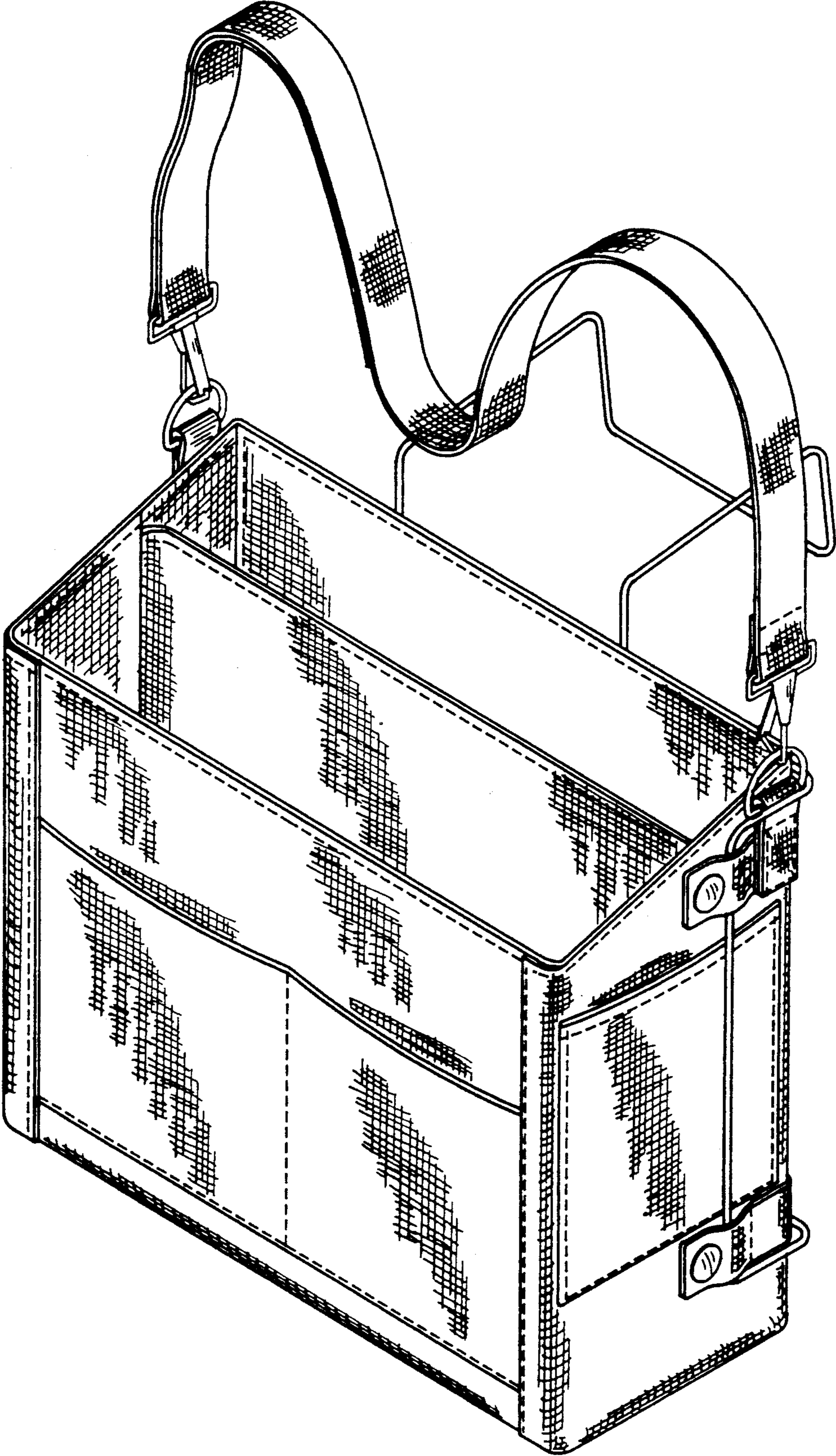


FIG. 2

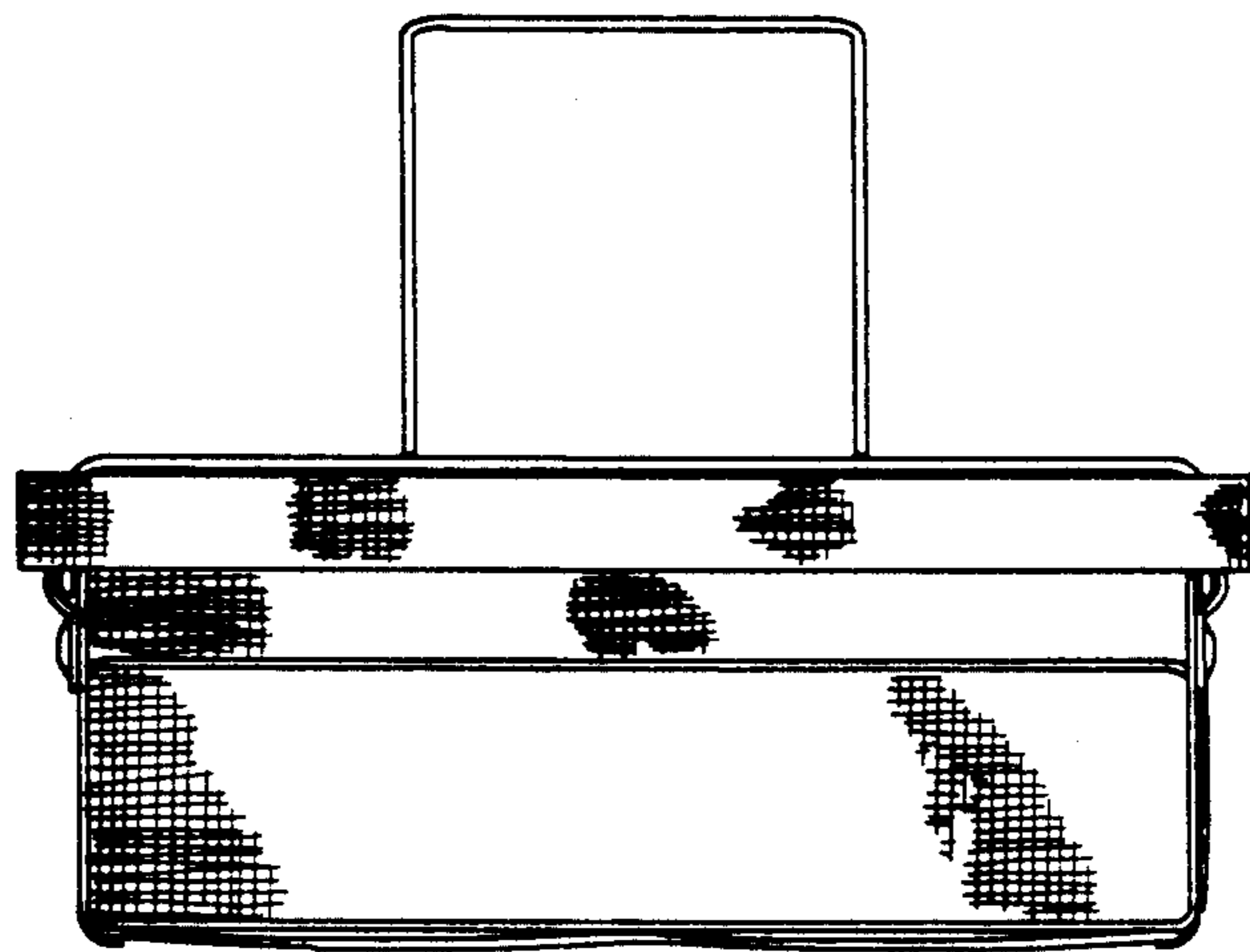


FIG. 3

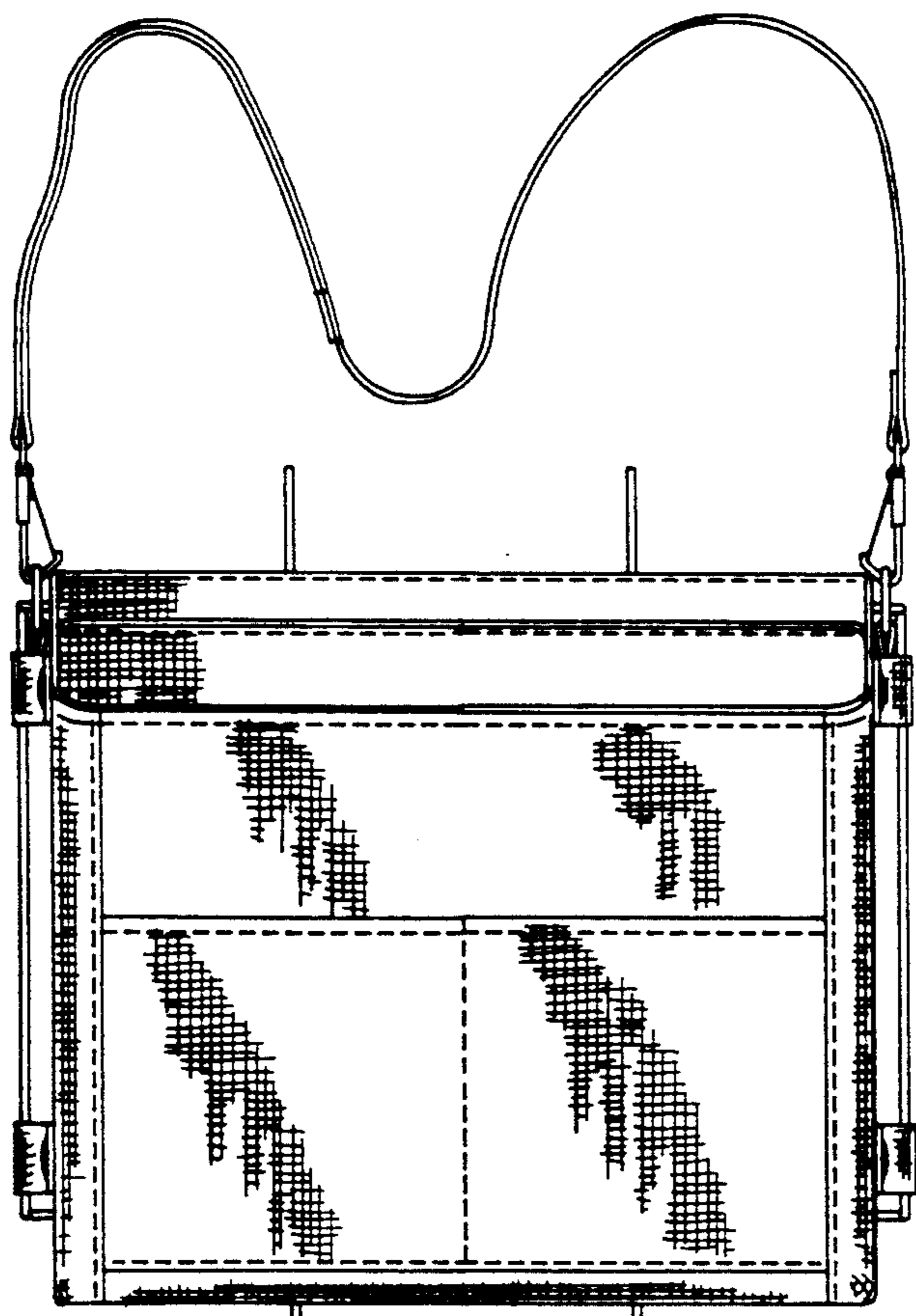


FIG. 4

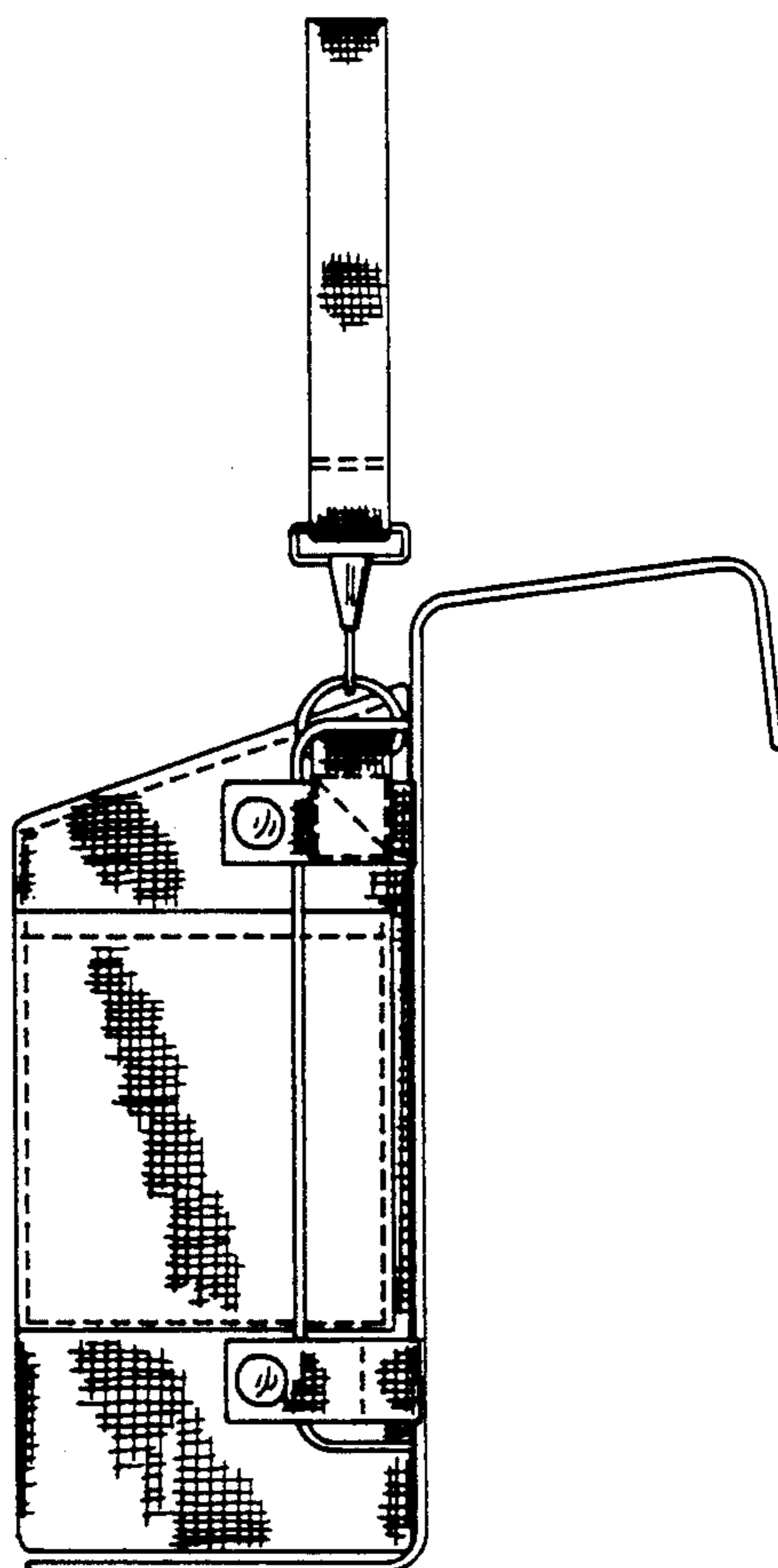


FIG. 5

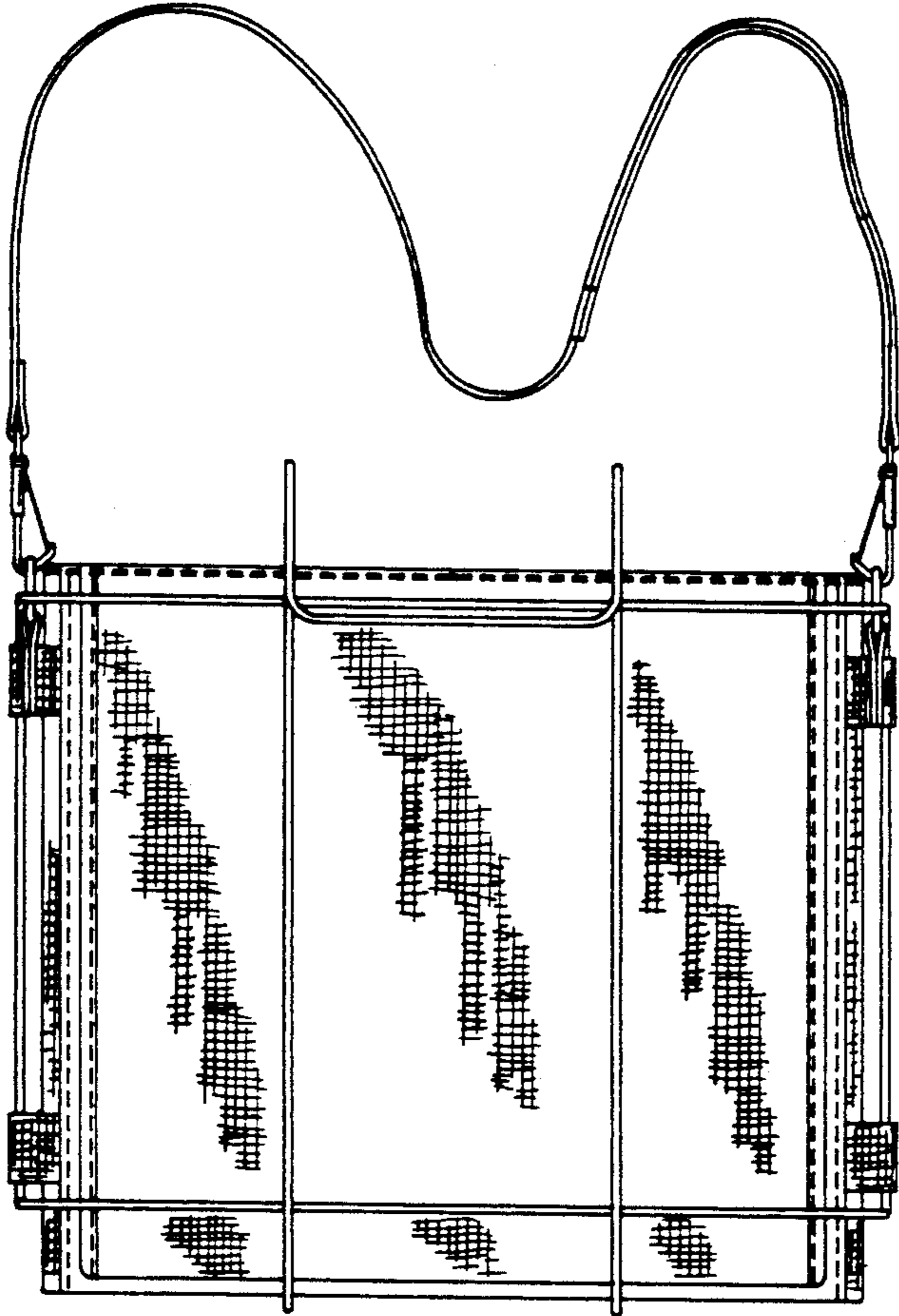


FIG. 6

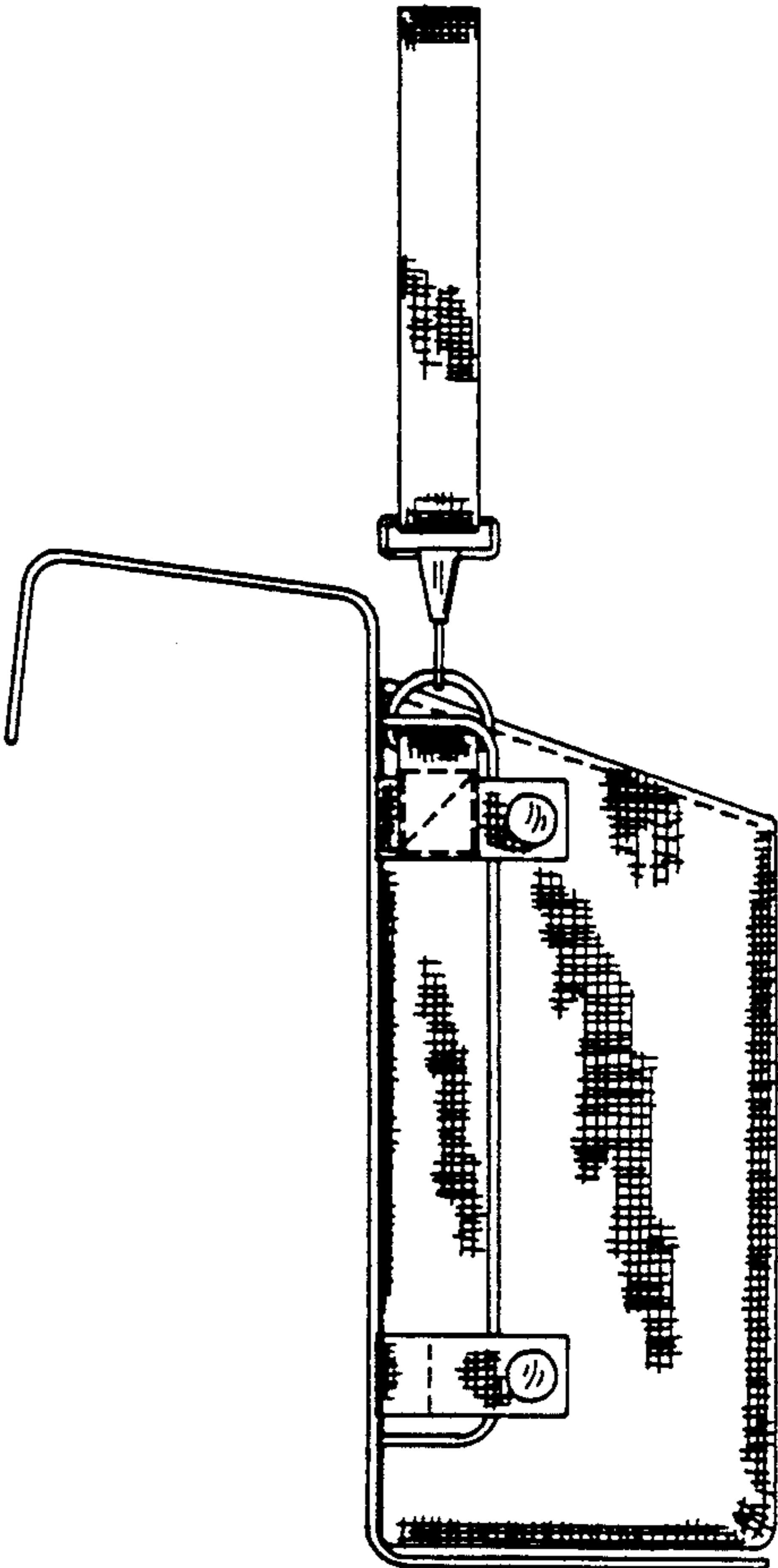


FIG. 7

