



US00D344179S

United States Patent [19]

[11] Patent Number: **Des. 344,179**

Jacobsen

[45] Date of Patent: **** Feb. 15, 1994**

[54] BOBBIN HOLDER

[76] Inventor: **Paul L. Jacobsen**, 11 N. Union St., Elgin, Ill. 60123

[**] Term: **14 Years**

[21] Appl. No.: **685,708**

[22] Filed: **Apr. 16, 1991**

[52] U.S. Cl. **D3/25**

[58] Field of Search **D3/18-21, D3/23-26, 28; 211/162, DIG. 1; 223/106, 108, 109 A, 120; D15/66-78**

OTHER PUBLICATIONS

NY Times Mag. Section, Nov. 23, 1947, p. 31, Folding Spool Rack.

W. Bell & Co 1986 Catalog, p. 403, Sewing Caddy, #3, top right.

Primary Examiner—Bernard Ansher

Assistant Examiner—Sandra Morris

Attorney, Agent, or Firm—Jonathan Schafrann

[57] CLAIM

The ornamental design for a bobbin holder, as shown.

DESCRIPTION

FIG. 1 is a perspective view of a bobbin holder, showing my new design;

FIG. 2 is a front elevational view thereof;

FIG. 3 is a rear elevational view thereof;

FIG. 4 is a right side elevational thereof, the other side being identical;

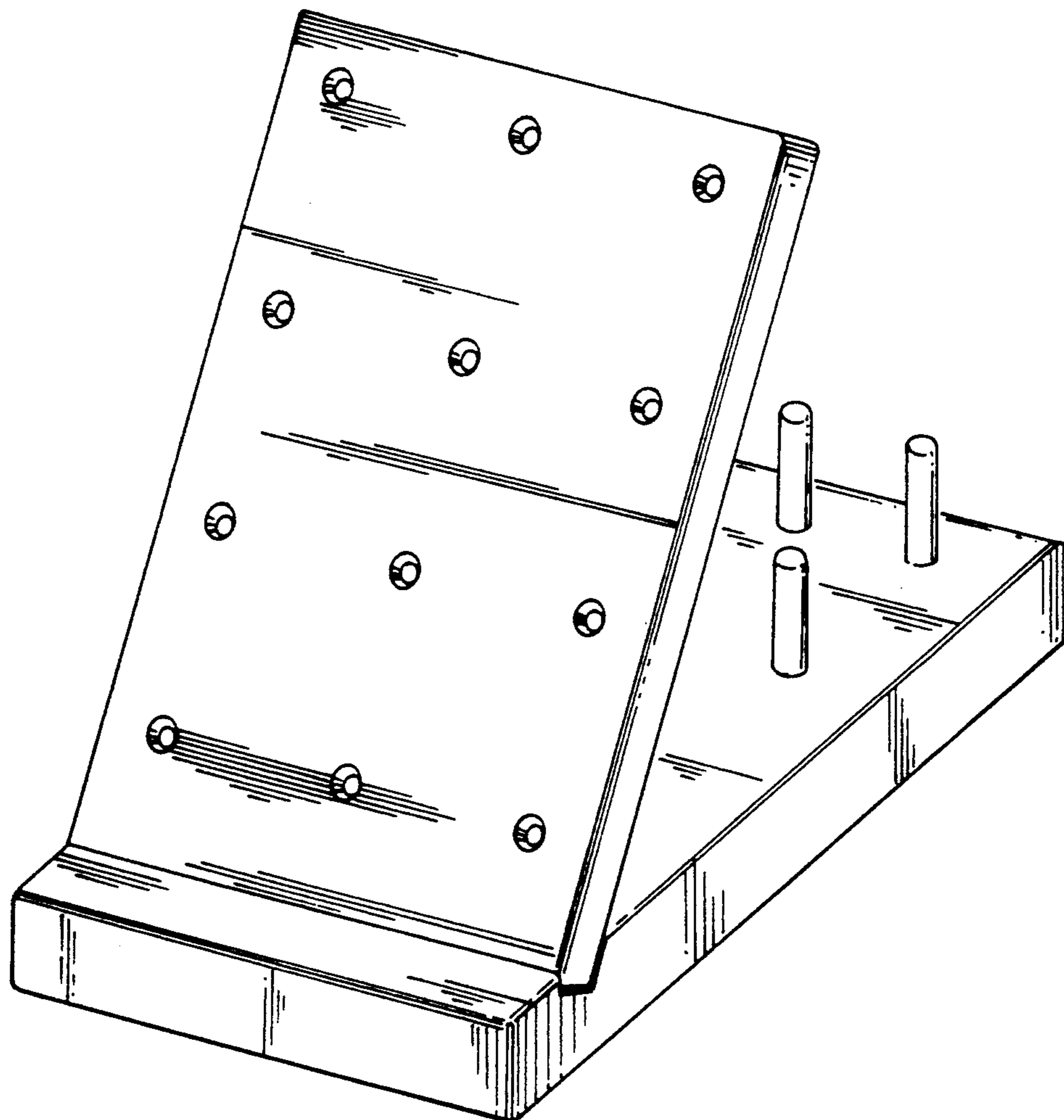
FIG. 5 is a top plan view thereof; and,

FIG. 6 is a bottom plan view thereof.

[56] References Cited

U.S. PATENT DOCUMENTS

D. 55,369	6/1920	Dowling	D3/25
D. 134,208	10/1942	McCrary	D3/21
D. 297,595	9/1988	Sawai	D3/20
D. 311,655	10/1990	Meloche	D3/20
3,948,396	4/1976	Upton et al.	223/106
5,040,708	8/1991	Blair et al.	223/106



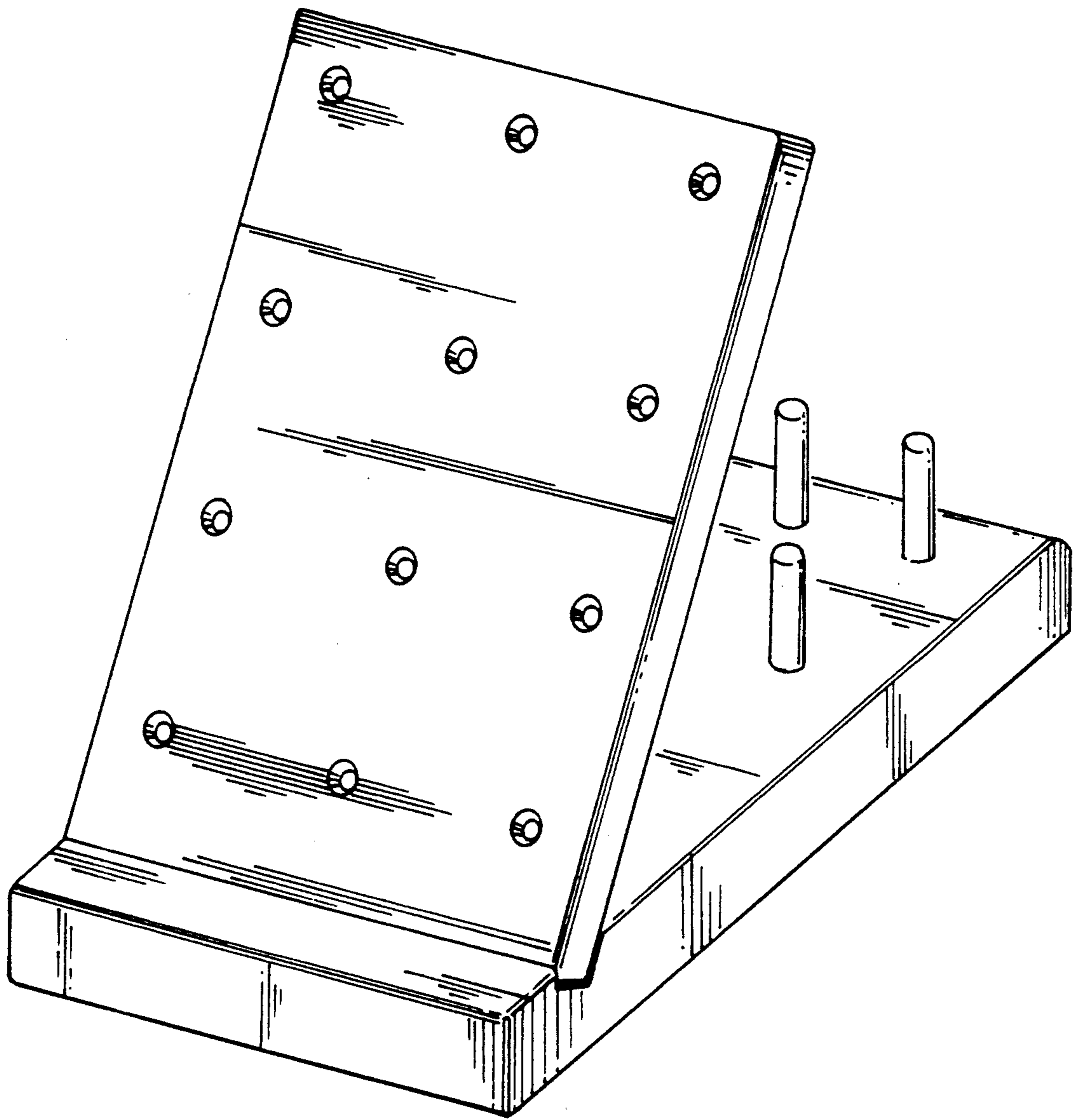


FIG. 1

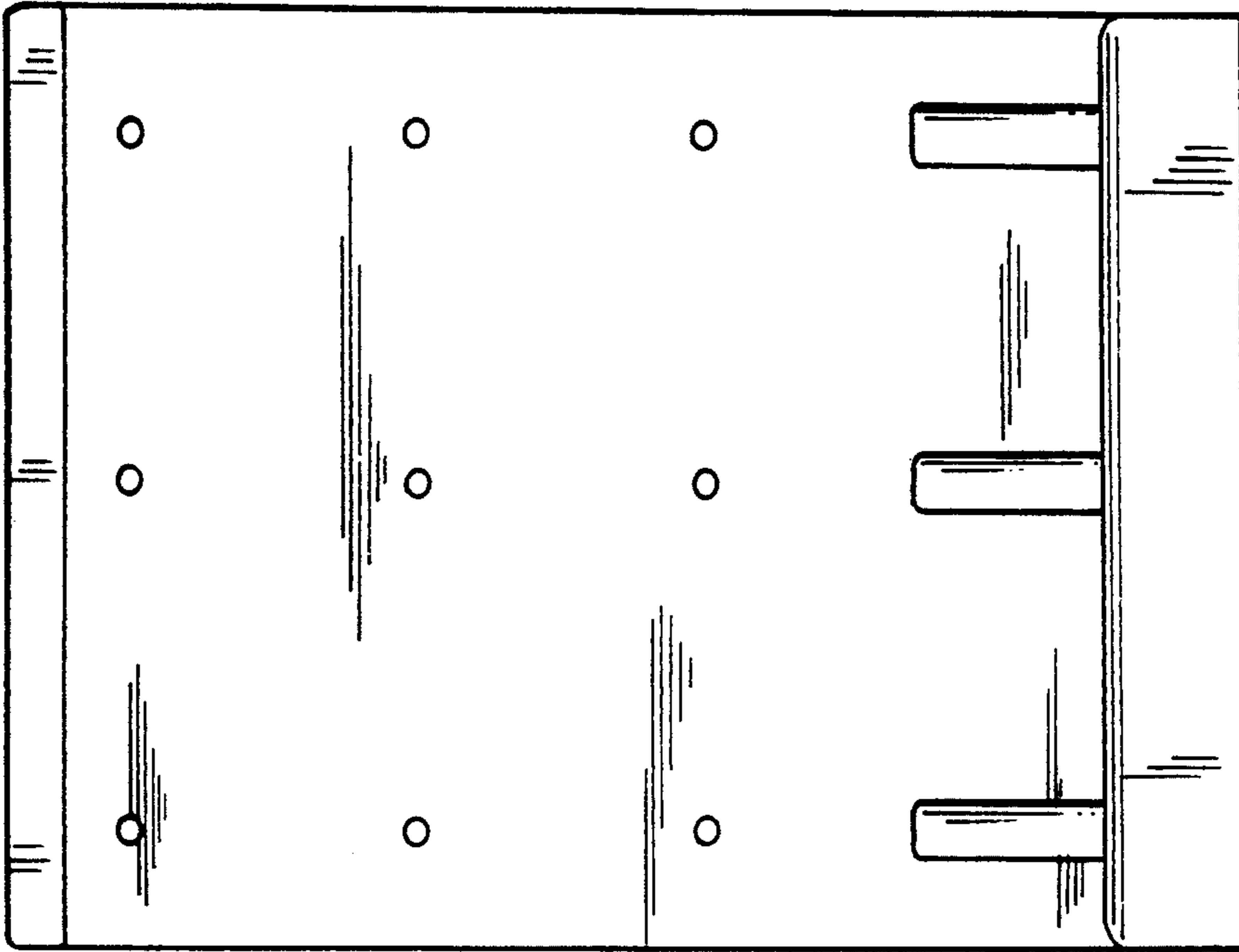


FIG. 3

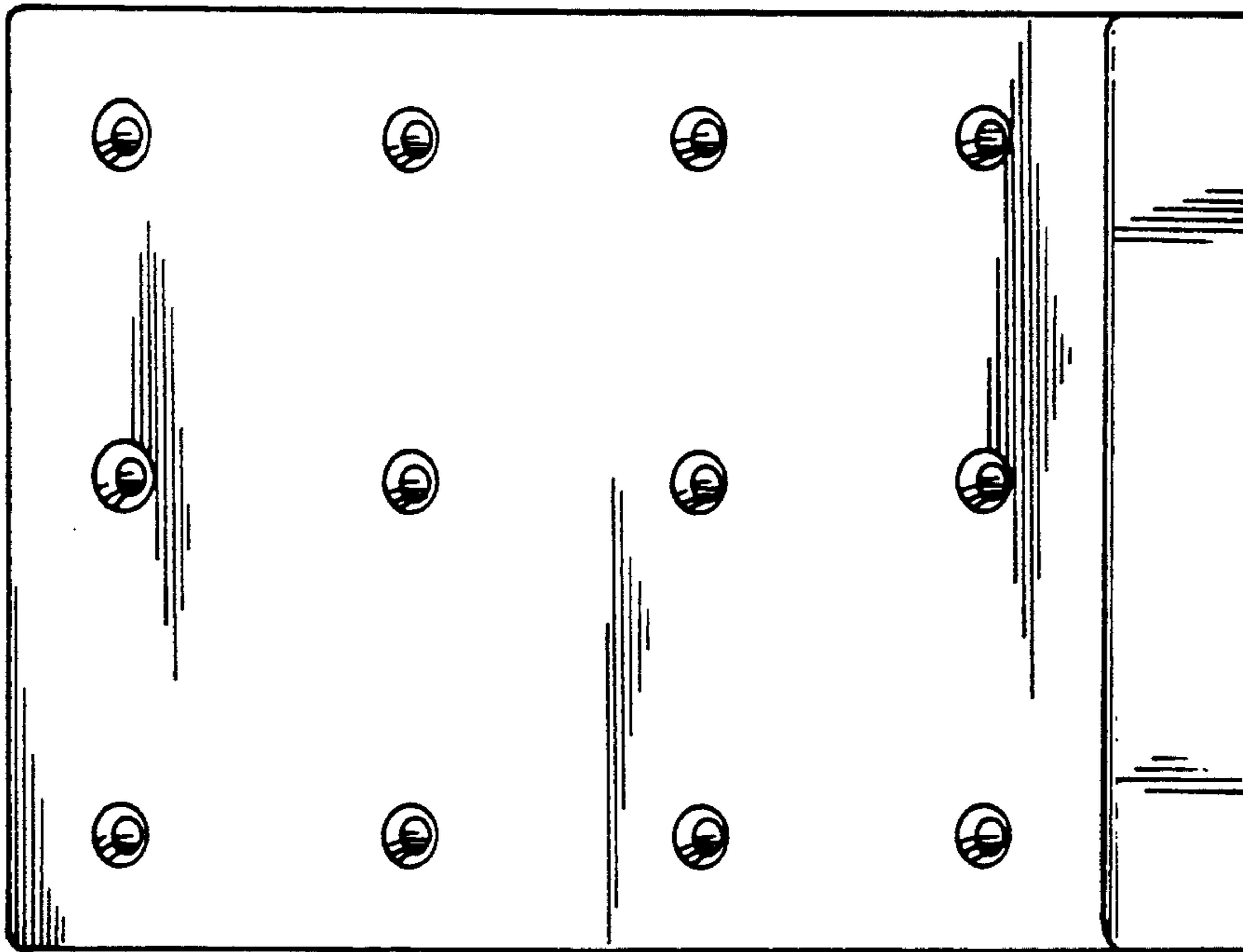


FIG. 2

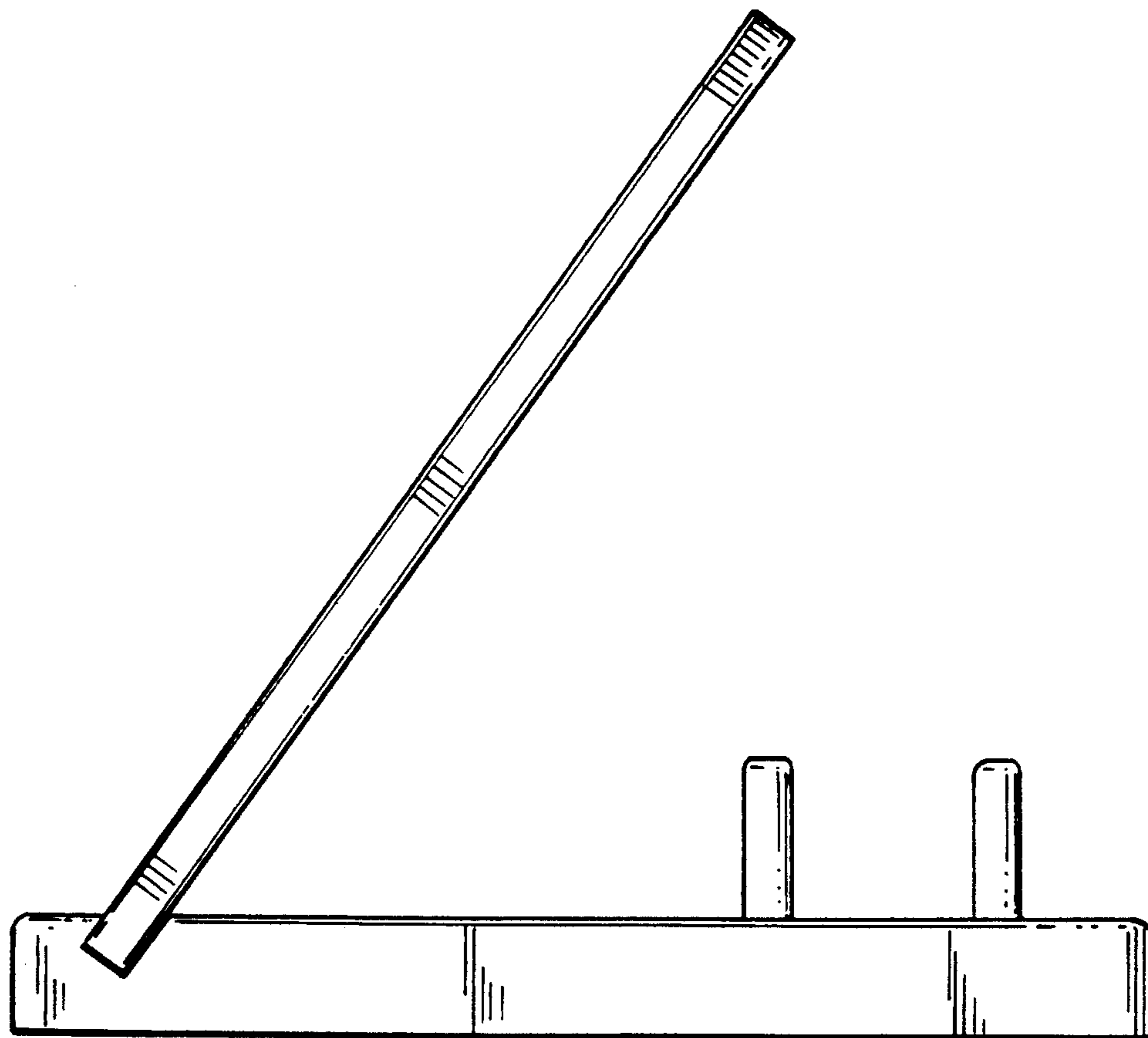


FIG. 4

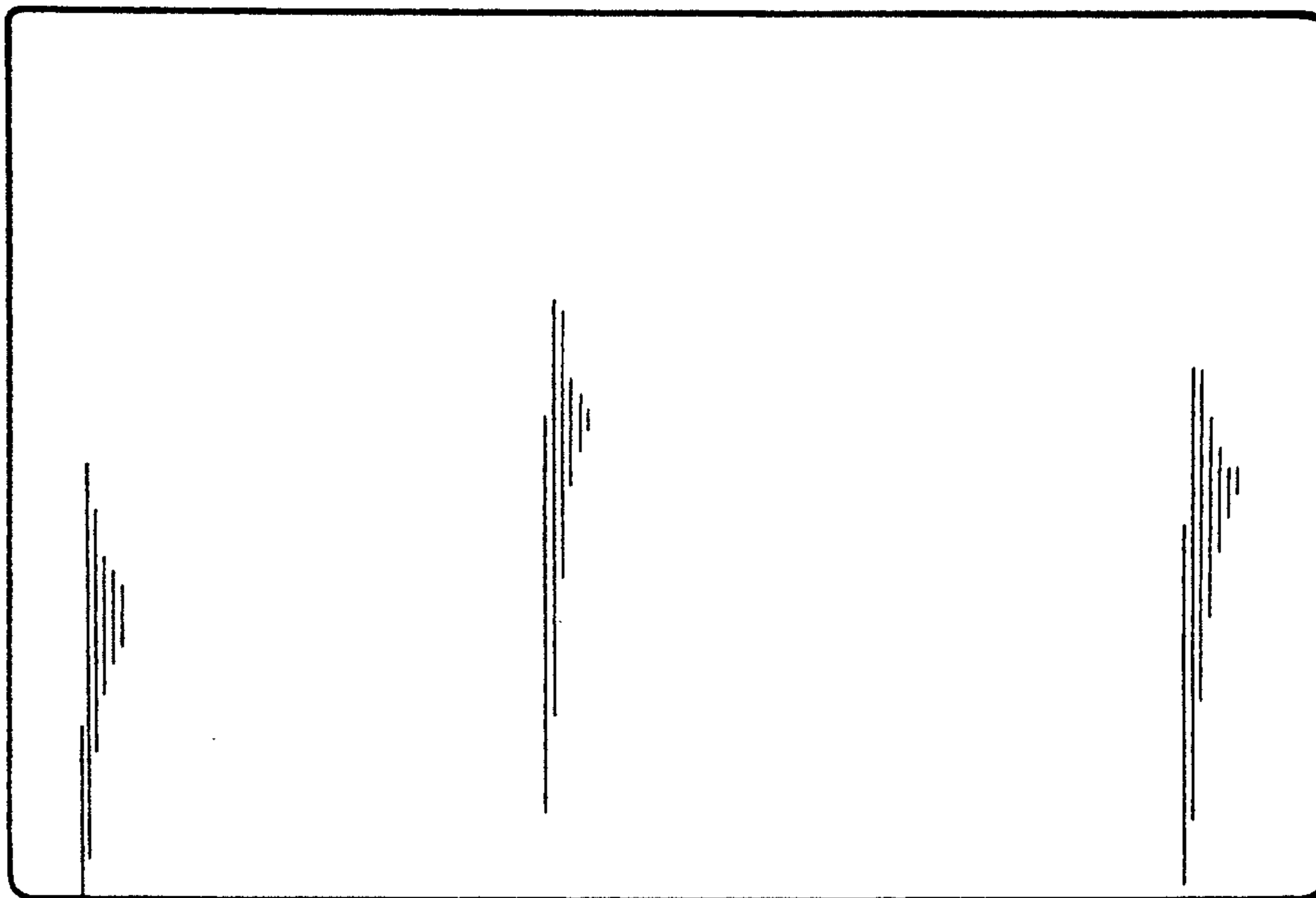


FIG. 6

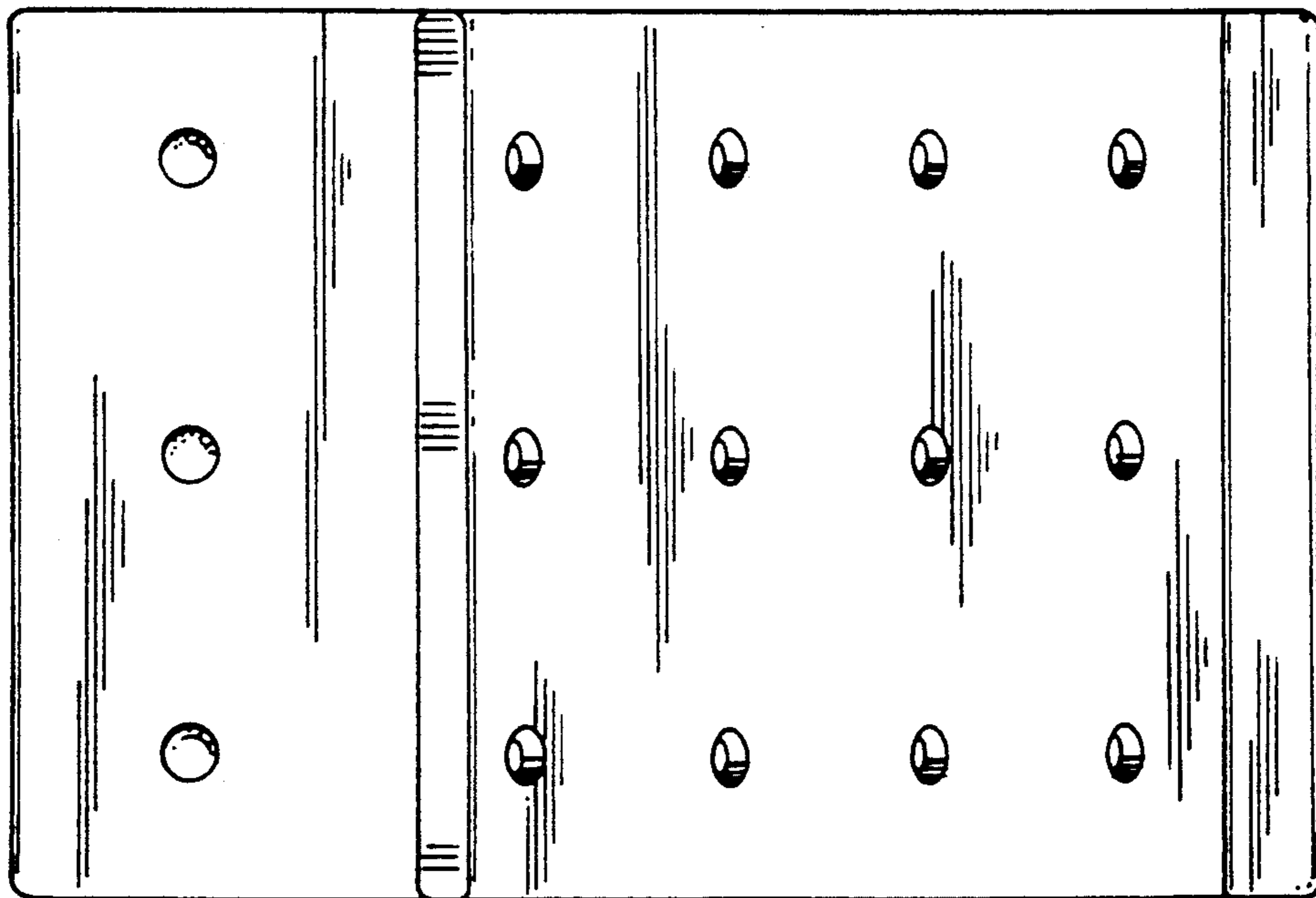


FIG. 5