



US00D344178S

# United States Patent [19]

[11] Patent Number: **Des. 344,178**

Zinck

[45] Date of Patent: **\*\* Feb. 15, 1994**

[54] **COMBINED BELT AND POUCHES**

[76] Inventor: **Kevin J. Zinck**, 50 Phoenix Crescent,  
Lower Sackville, N.S., Canada

[\*\*] Term: **14 Years**

[21] Appl. No.: **699,567**

[22] Filed: **May 14, 1991**

[30] **Foreign Application Priority Data**

Nov. 20, 1990 [CA] Canada ..... 20-11-90-8

[52] U.S. Cl. .... **D2/630**

[58] Field of Search ..... **D2/630, 627; D3/106,  
D3/103; 224/224, 253, 268, 901, 151, 236, 907,  
269; 2/338, 311, 312, 313, 314, 315-318**

[56] **References Cited**

**U.S. PATENT DOCUMENTS**

830,606	9/1906	Lovett .....	224/224 X
1,968,767	7/1934	Howard .....	D2/630
2,782,553	2/1957	Harris .....	224/224 X
3,664,560	5/1972	Perkins .....	2/312 X
4,957,231	9/1990	Kalisher .....	D3/106 X
5,060,835	10/1991	Payne .....	D3/106 X

*Primary Examiner*—Melvin B. Feifer  
*Assistant Examiner*—Paula Mortimer  
*Attorney, Agent, or Firm*—Whitham & Marhoefer

[57] **CLAIM**

The ornamental design for a combined belt and pouches, as shown and described.

**DESCRIPTION**

FIG. 1 is a perspective view of a first embodiment of the combined belt and pouches in accordance with my invention;

FIG. 2 is a perspective view of a second embodiment of the belt and pouches in accordance with my invention, the difference being a vertically extending rectangular patch centrally located on each pouch;

FIG. 3 is a top plan view of the combined belt and pouches in accordance with the embodiment of either FIG. 1 or FIG. 2;

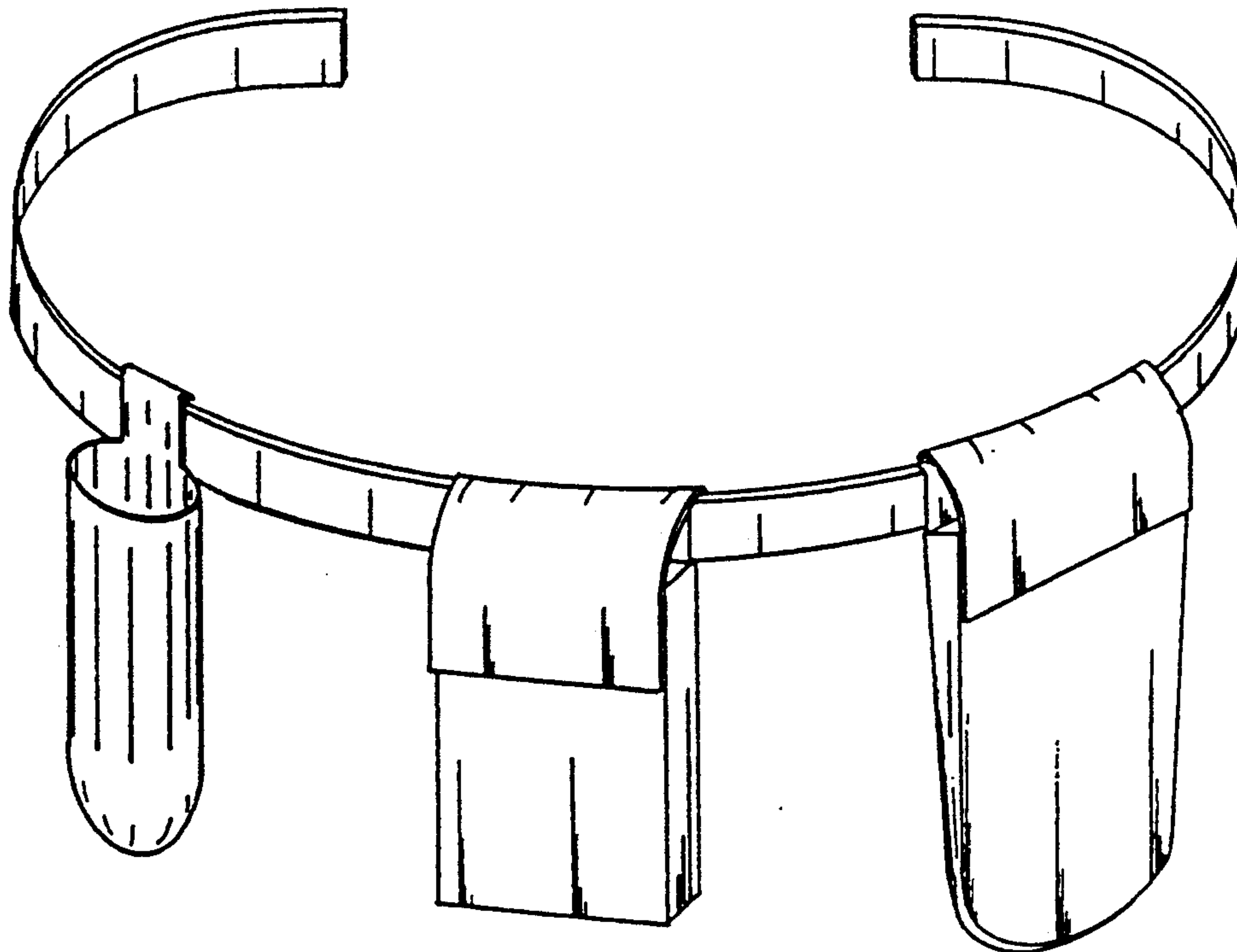
FIG. 4 is a bottom plan view of the combined belt and pouches in accordance with the embodiment of either FIG. 1 or FIG. 2;

FIG. 5 is a front elevational view of the combined belt and pouches in accordance with the embodiment of either FIG. 1 or FIG. 2;

FIG. 6 is a rear elevational view of the combined belt and pouches in accordance with the embodiment of either FIG. 1 or FIG. 2;

FIG. 7 is a right elevational view of the combined belt and pouches in accordance with the embodiment of either FIG. 1 or FIG. 2; and,

FIG. 8 is a left elevational view of the combined belt and pouches in accordance with the embodiment of either FIG. 1 or FIG. 2.



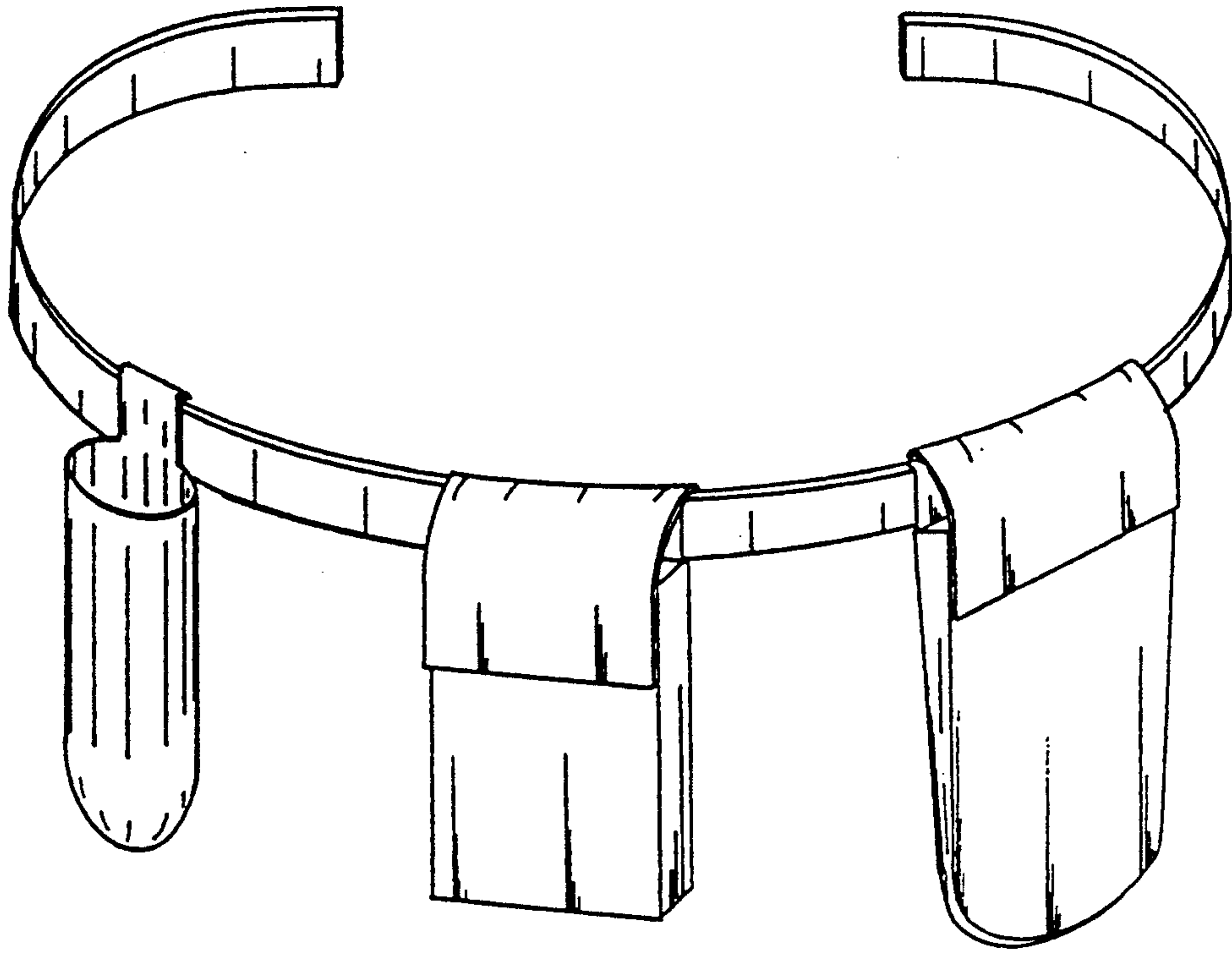


FIG. 1

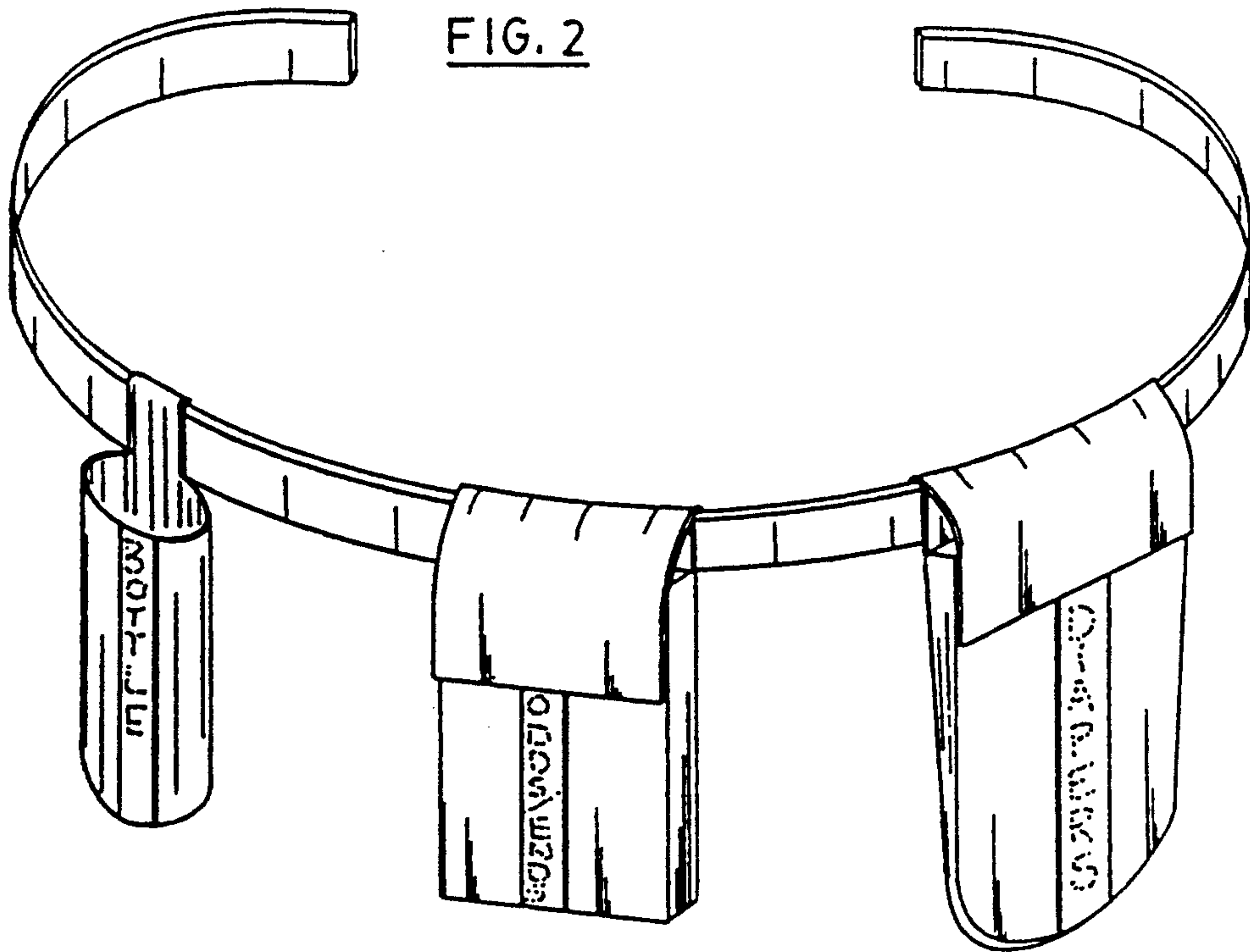


FIG. 2

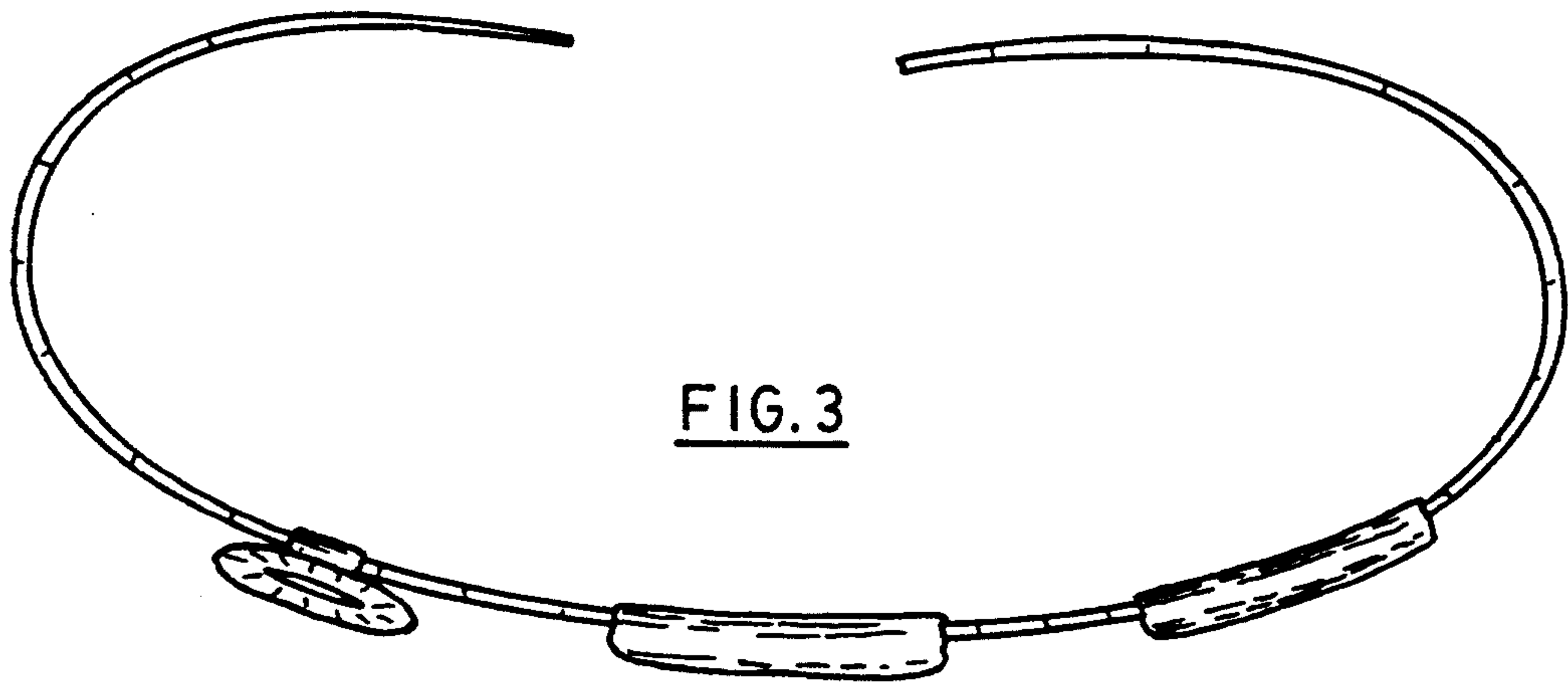


FIG. 3

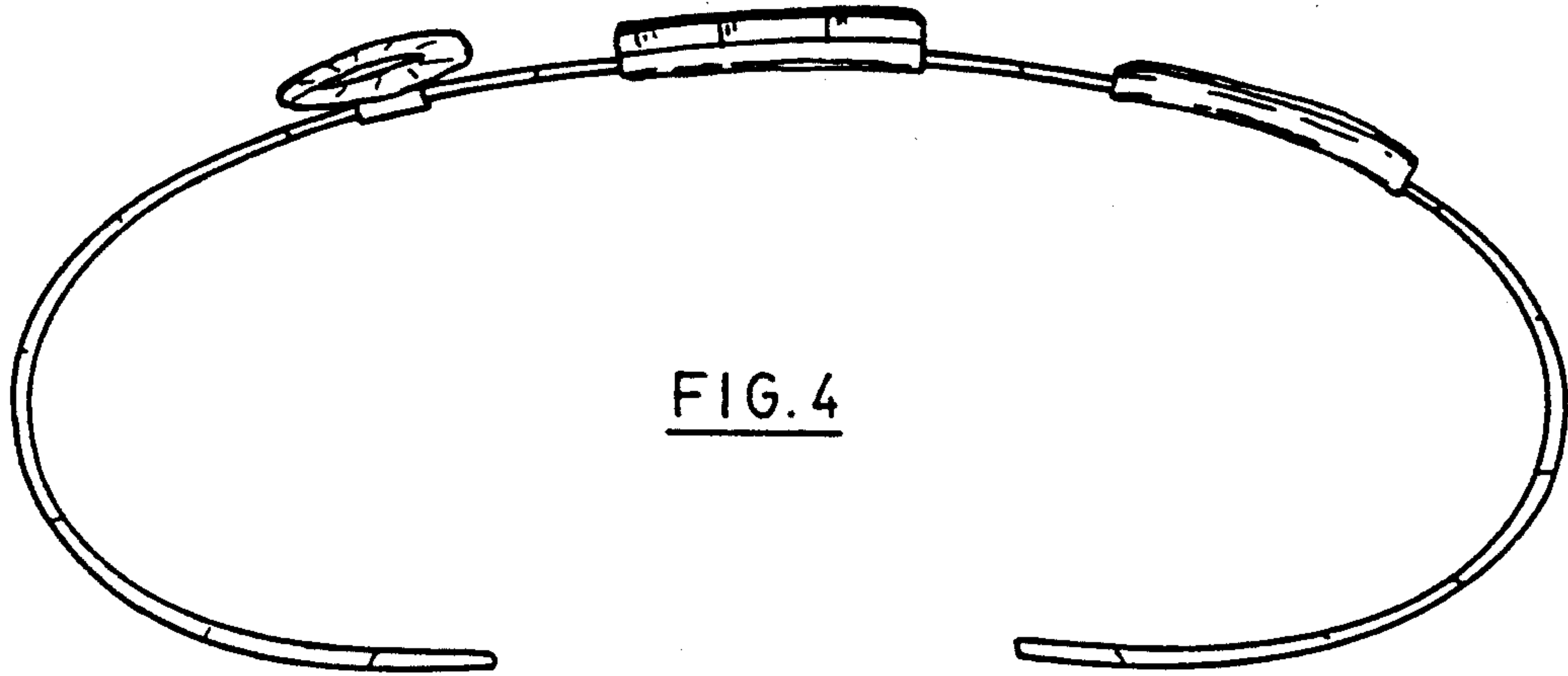


FIG. 4

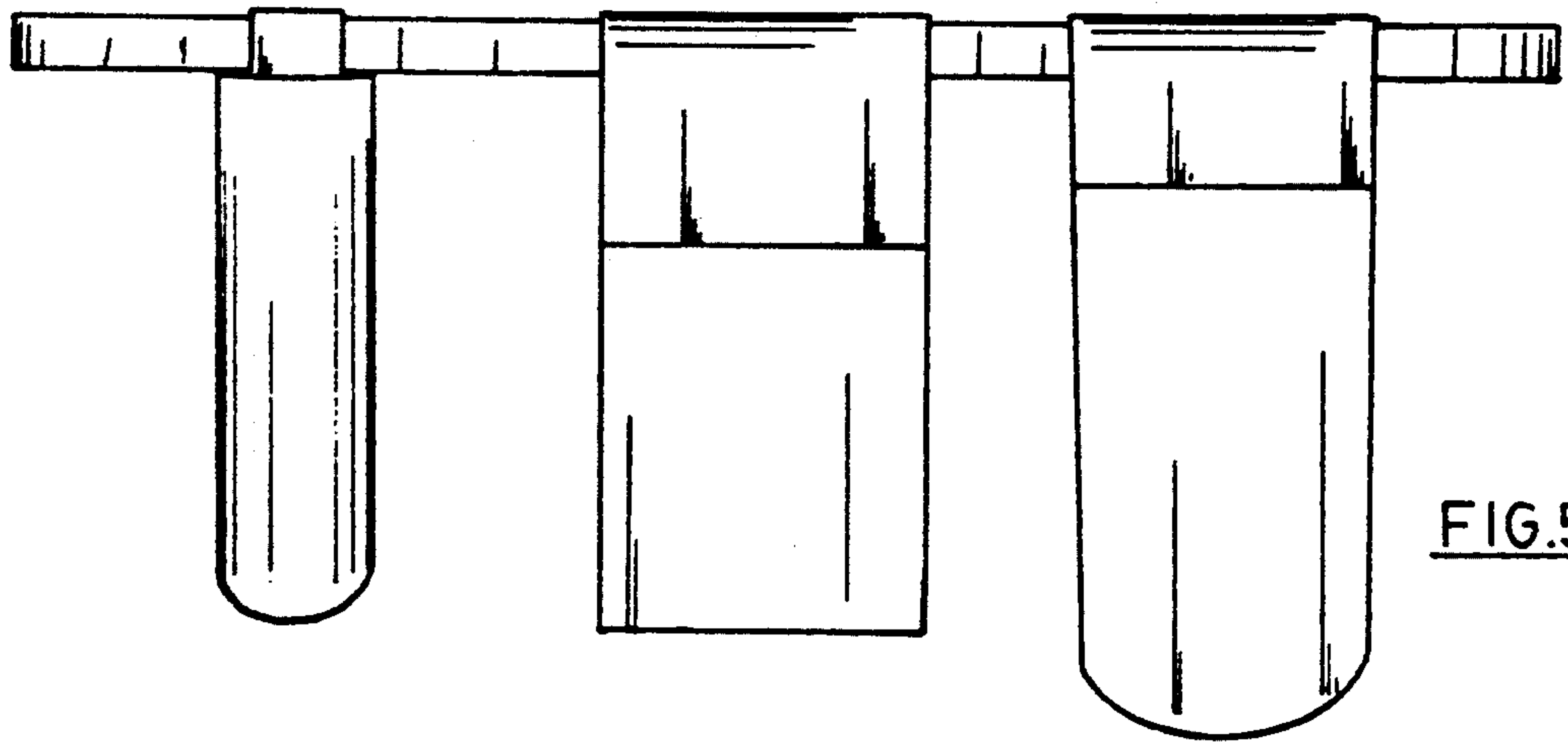


FIG. 5

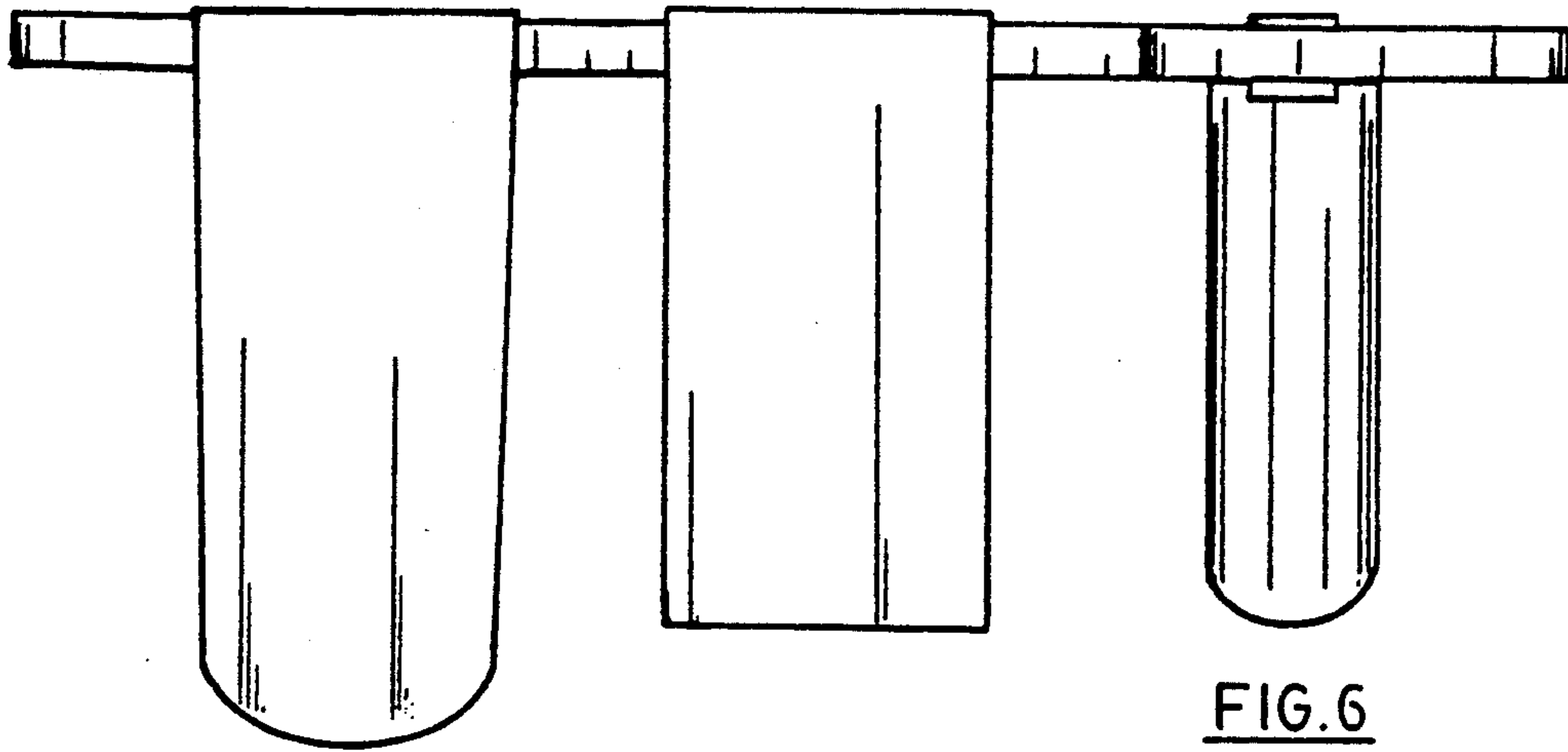


FIG. 6

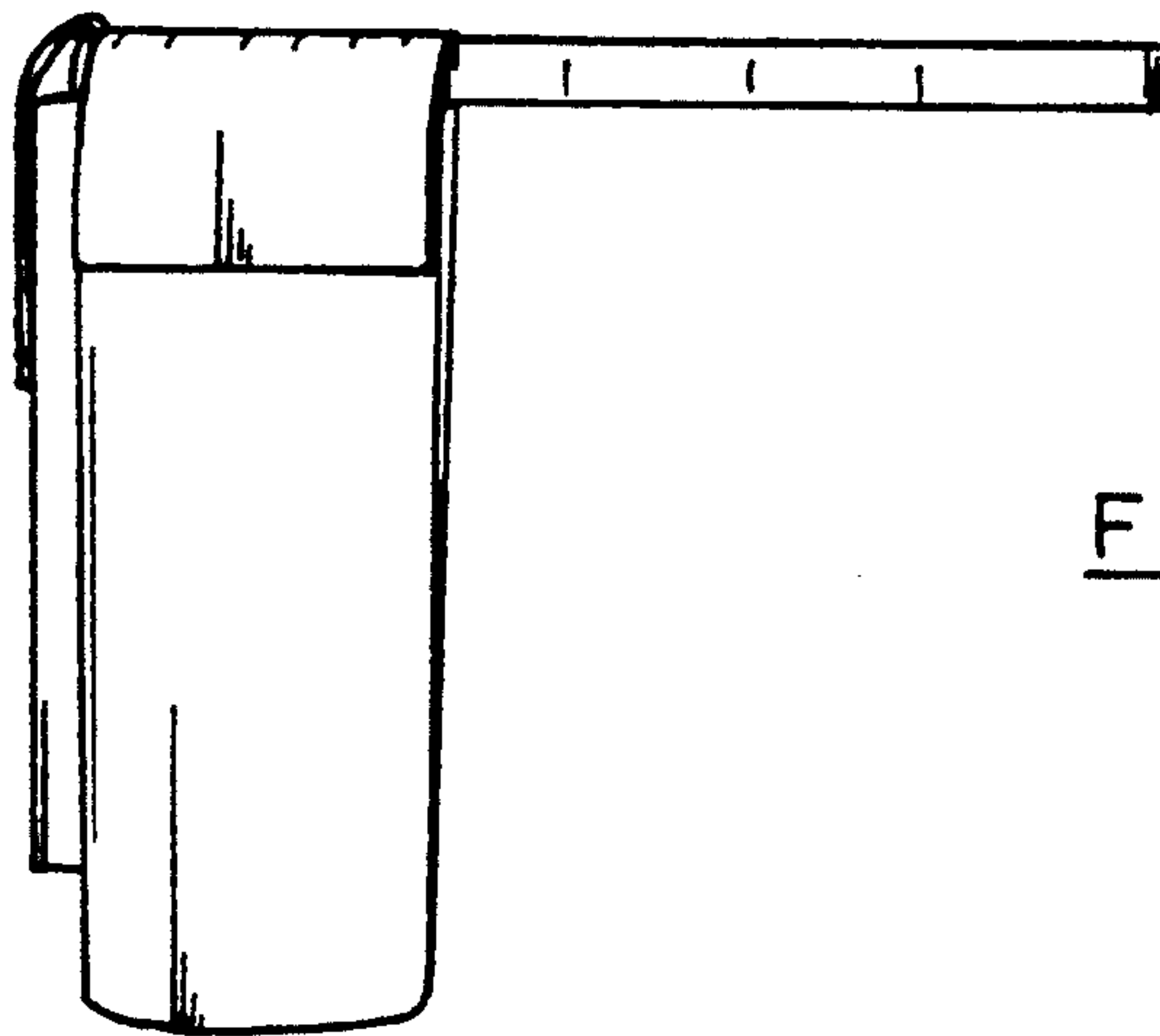


FIG. 7

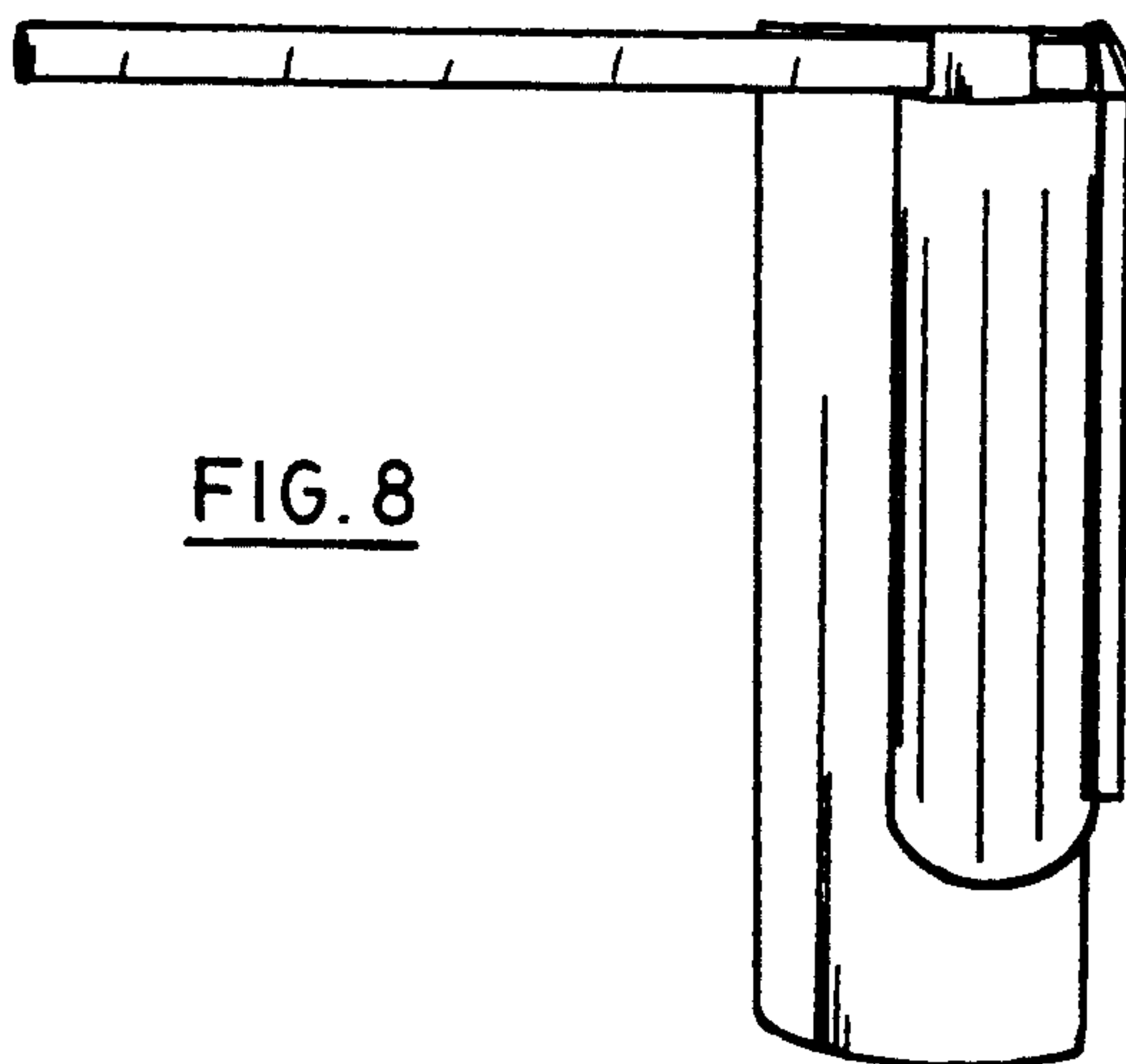


FIG. 8