



US00D344174S

# United States Patent [19]

[11] Patent Number: **Des. 344,174**

**Kilgore**

[45] Date of Patent: **\*\* Feb. 15, 1994**

[54] **HEEL INSERT FOR A SHOE SOLE**

[75] Inventor: **Bruce J. Kilgore, Lake Oswego, Oreg.**

[73] Assignee: **Nike, Inc., Beaverton, Oreg.**

[\*\*] Term: **14 Years**

[21] Appl. No.: **786,927**

[22] Filed: **Nov. 1, 1991**

[52] U.S. Cl. .... **D2/964**

[58] Field of Search ..... **D2/264, 265, 278, 308-314, D2/317-324; 36/1, 3 B, 7.8, 28, 29, 35 R, 35 B, 37, 38, 43, 89, 114, 132, 136**

[56] **References Cited**

**U.S. PATENT DOCUMENTS**

D. 39,747	1/1909	McKenna .	
D. 145,817	10/1946	Payne .....	D2/324
D. 260,196	8/1981	Plagenhoef .....	D2/319
D. 261,946	11/1981	Trask .....	D2/322
D. 296,493	7/1988	Diaz .....	D2/318
D. 308,285	6/1990	Serna .....	D2/320
507,490	10/1893	Gambino .....	36/28
622,673	4/1899	Ferrata .....	36/3 B
1,075,039	10/1913	Keith .....	36/1
2,399,543	4/1946	Dack .....	D2/324 X
2,710,460	6/1955	Stasinos .....	36/28 X
2,985,971	8/1960	Murawski .....	36/29
3,822,490	7/1974	Muranski .....	36/35 R
4,223,457	9/1980	Borgeas .....	36/37 X
4,237,625	12/1980	Cole et al. ....	36/28
4,262,433	4/1981	Hagg et al. ....	36/35 B
4,322,892	4/1982	Inohora .....	36/29
4,392,666	7/1983	Ramer .....	36/38 X
4,438,573	3/1984	McBarron .....	36/3 B
4,535,553	8/1985	Derderian et al. ....	36/28
4,573,279	3/1986	Feurer-Zogel et al. ....	36/35 R
4,611,412	9/1986	Cohen .....	36/28
4,616,431	10/1986	Dassler .....	36/28
4,660,299	4/1987	Omilusik .....	36/7.8
4,663,865	5/1987	Telecemian .....	36/114

(List continued on next page.)

**FOREIGN PATENT DOCUMENTS**

1227420	8/1960	France .
1526637A1	12/1989	U.S.S.R. .

*Primary Examiner*—Louis S. Zarfes  
*Attorney, Agent, or Firm*—Banner, Birch, McKie & Beckett

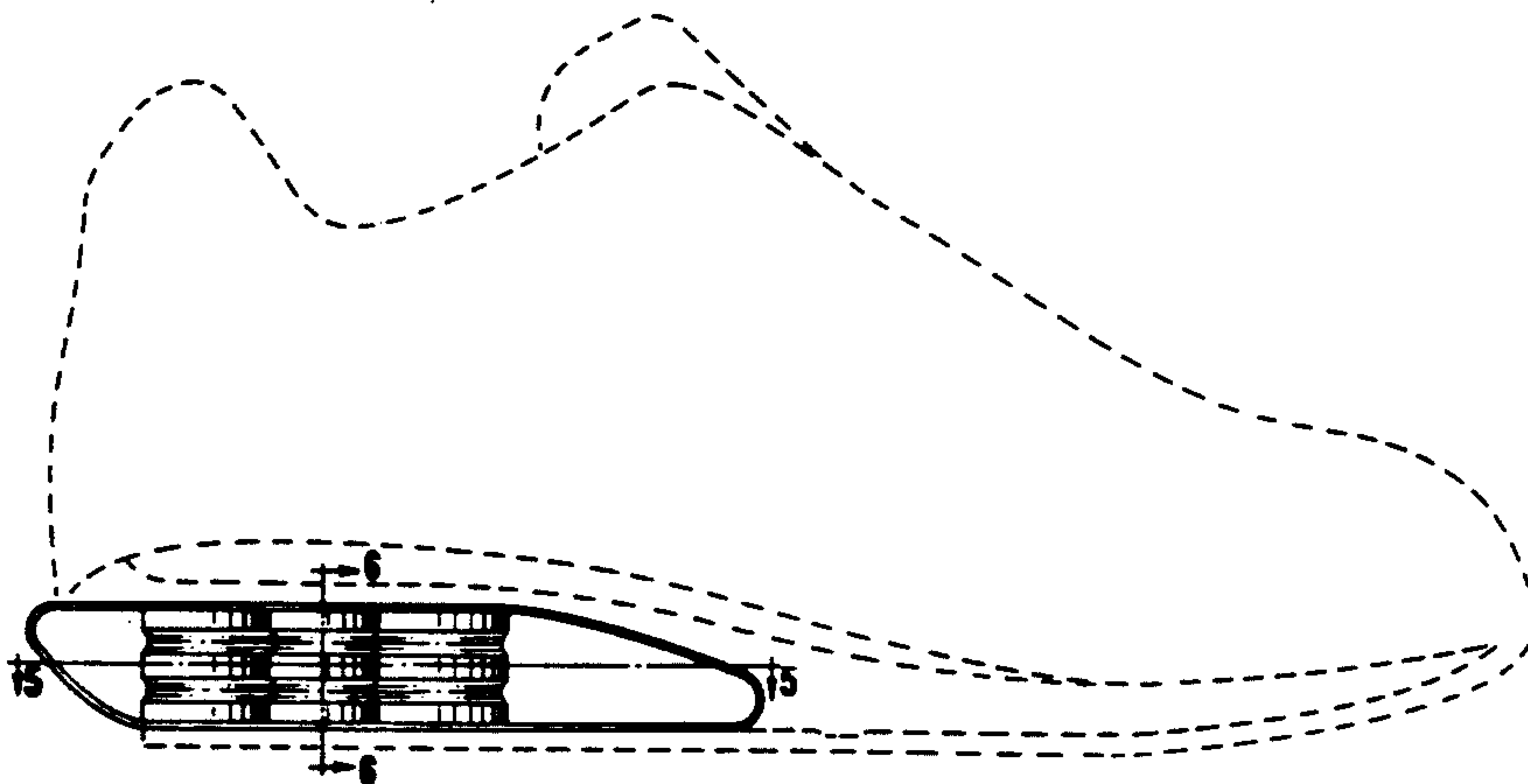
[57] **CLAIM**

The ornamental design for a heel insert for a shoe sole, as shown and described.

**DESCRIPTION**

FIG. 1 is an elevational view of one side of a heel insert for a shoe sole showing my new design;  
 FIG. 2 is an elevational view of the other side thereof;  
 FIG. 3 is a top plan view thereof;  
 FIG. 4 is a rear elevational view thereof;  
 FIG. 5 is a cross sectional view taken along line 5—5 of FIG. 1;  
 FIG. 6 is a cross sectional view taken along line 6—6 of FIG. 1;  
 FIG. 7 is an elevational view of one side of a second embodiment of a heel insert for a shoe sole showing my new design;  
 FIG. 8 is an elevational view of the other side of the second embodiment;  
 FIG. 9 is a top plan view of the second embodiment;  
 FIG. 10 is a rear elevational view of the second embodiment;  
 FIG. 11 is a cross sectional view taken along line 11—11 of FIG. 7;  
 FIG. 12 is a cross sectional view taken along line 12—12 of FIG. 7;  
 FIG. 13 is an elevational view of one side of a third embodiment of a heel insert for a shoe sole showing my new design;  
 FIG. 14 is an elevational view of the other side of the third embodiment;  
 FIG. 15 is a top plan view of the third embodiment;  
 FIG. 16 is a rear elevational view of the third embodiment;  
 FIG. 17 is a cross sectional view taken through line 17—17 of FIG. 13; and,  
 FIG. 18 is a cross sectional view taken through line 18—18 of FIG. 13.

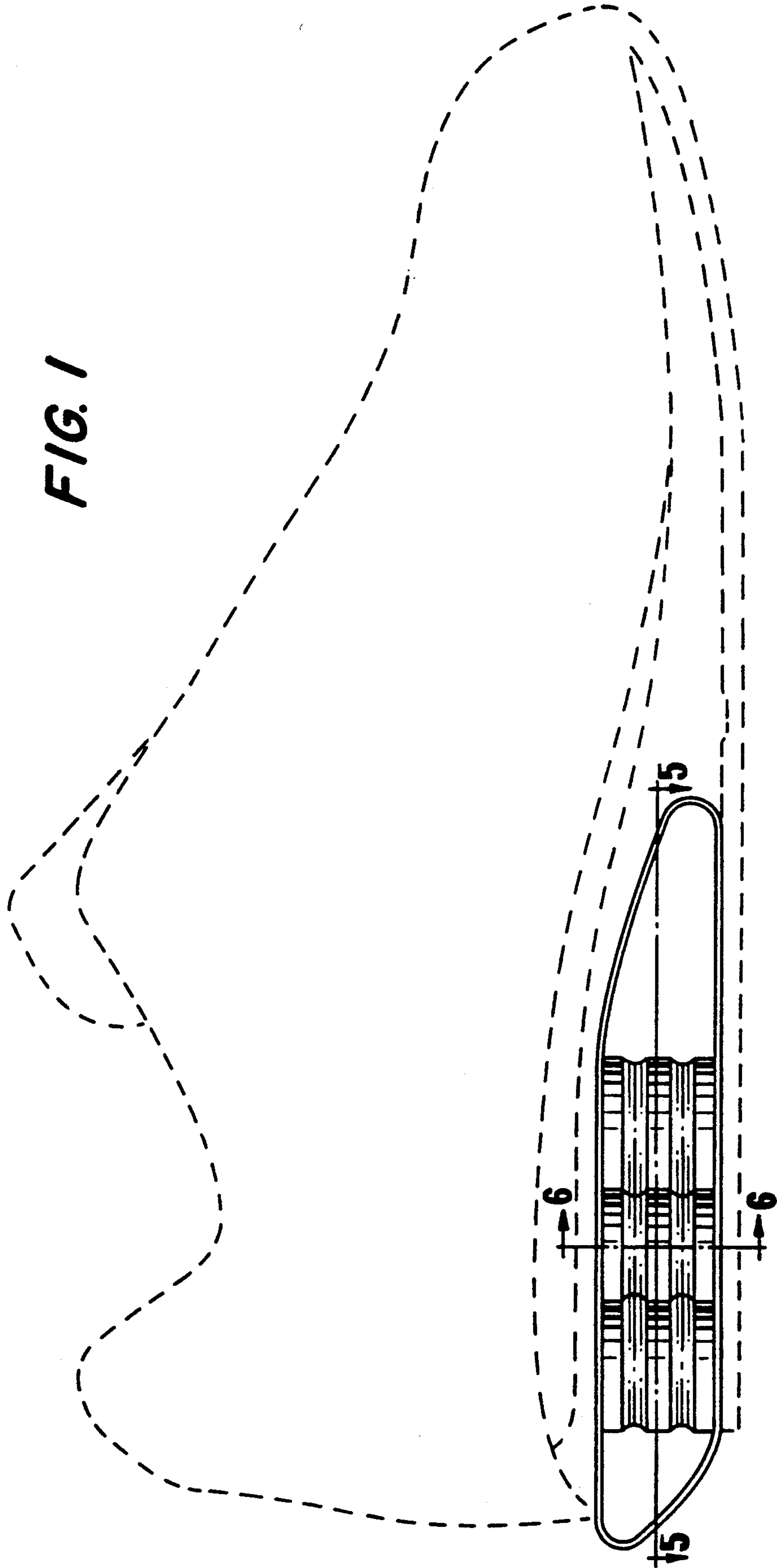
The broken line showing of the remaining portions of the shoe sole and upper is for illustrative purposes only and forms no part of the claimed design.



U.S. PATENT DOCUMENTS

4,680,875	7/1987	Danieli .....	36/28 X	4,843,741	7/1989	Yung-Mao .....	36/114
4,680,876	7/1987	Peng .....	36/35 B	4,878,300	11/1989	Bogaty .....	36/28 X
4,715,130	12/1987	Scatena .....	36/28 X	4,881,329	11/1989	Crowley .....	36/38
4,722,131	2/1988	Huang .		4,887,367	12/1989	Mackness et al. ....	36/28
4,815,221	3/1989	Diaz .....	36/28 X	4,918,838	4/1990	Chang .....	36/28
4,817,304	4/1989	Parker et al. ....	36/114	4,918,841	4/1990	Turner et al. ....	36/114
				4,936,029	6/1990	Rudy .....	36/29
				4,956,927	9/1990	Misevich et al. ....	36/28 X
				5,014,449	5/1991	Richard et al. ....	36/114

FIG. 1



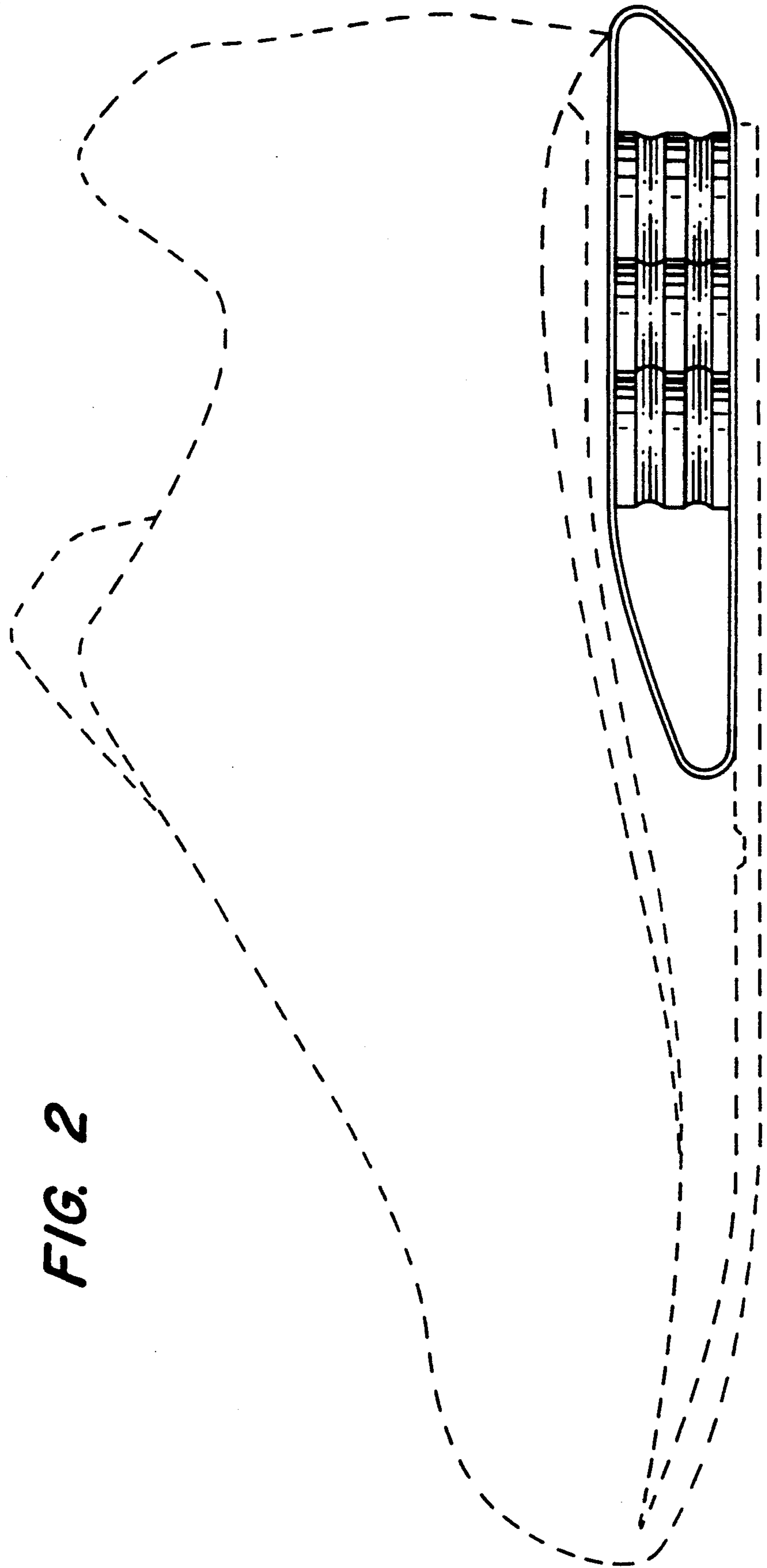


FIG. 2

**FIG. 3**

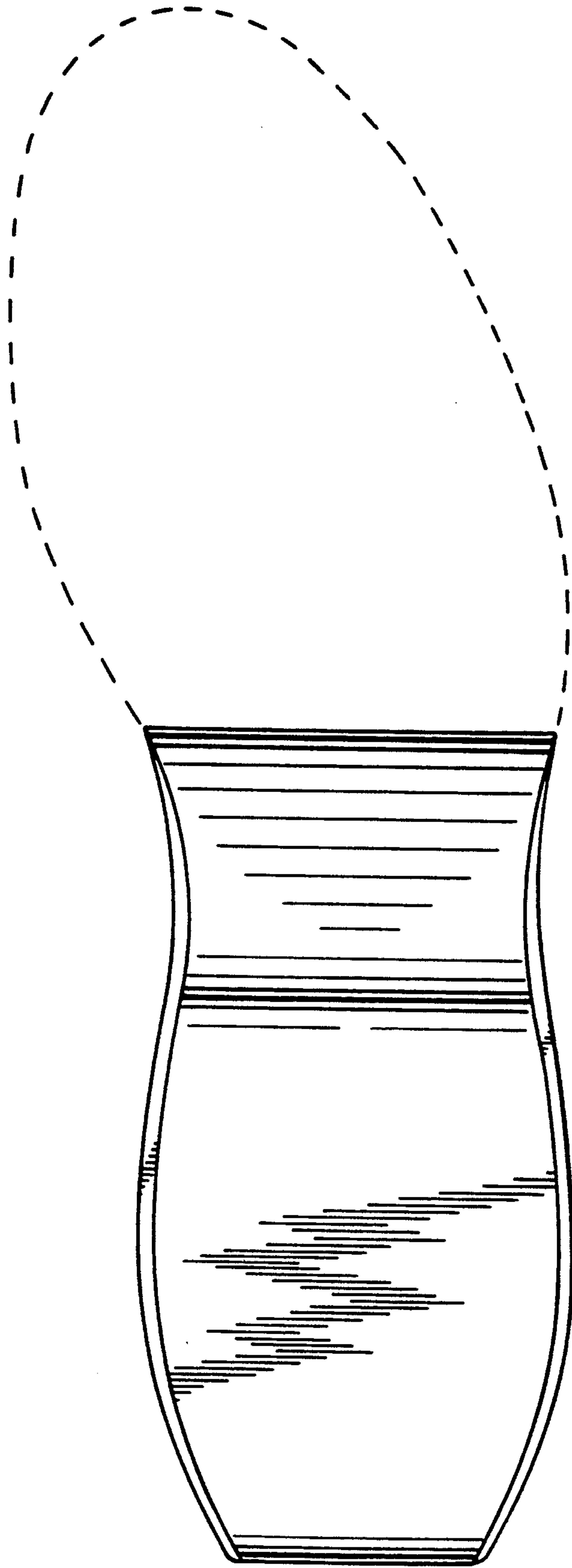




FIG. 5

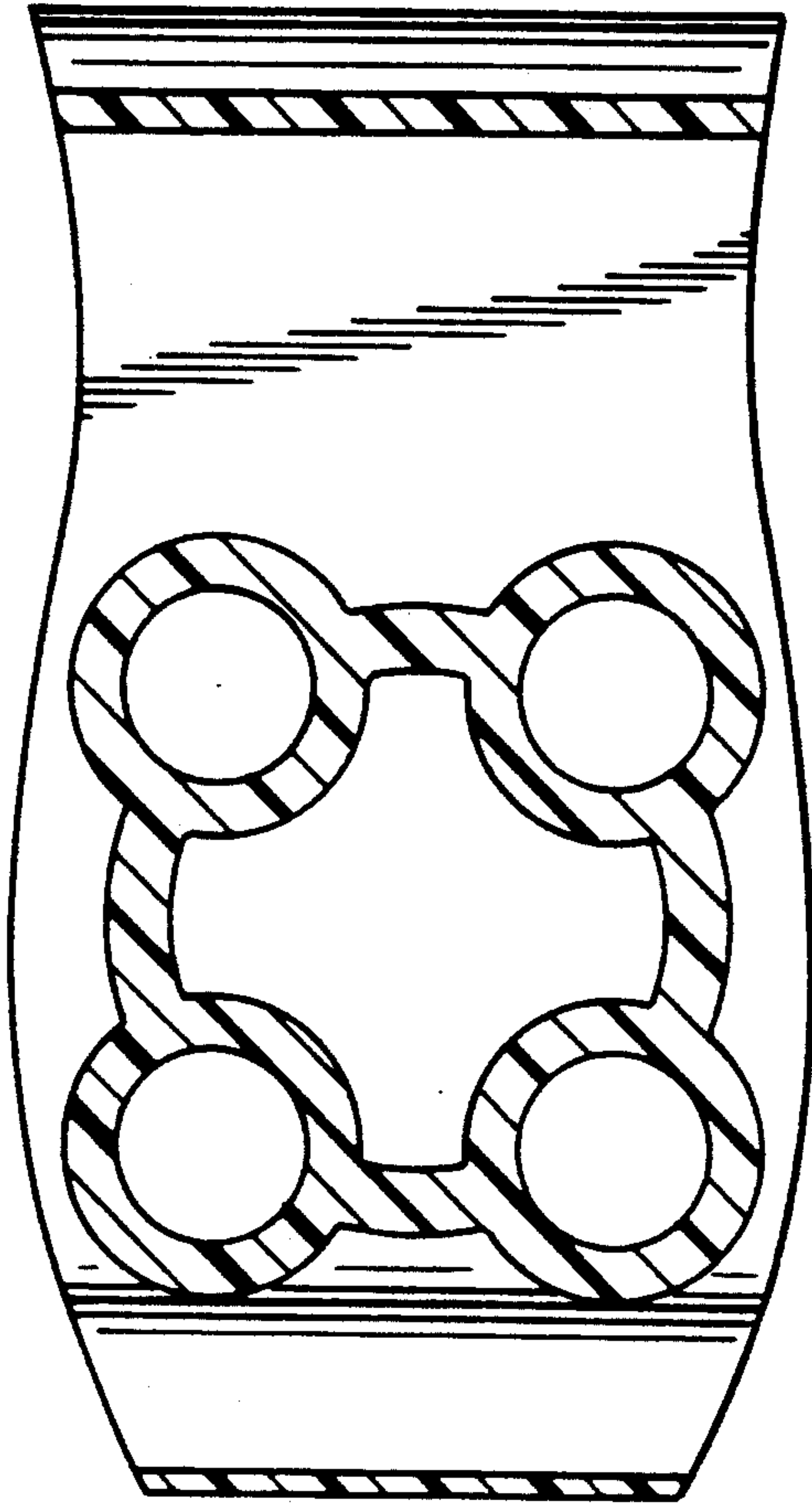


FIG. 6

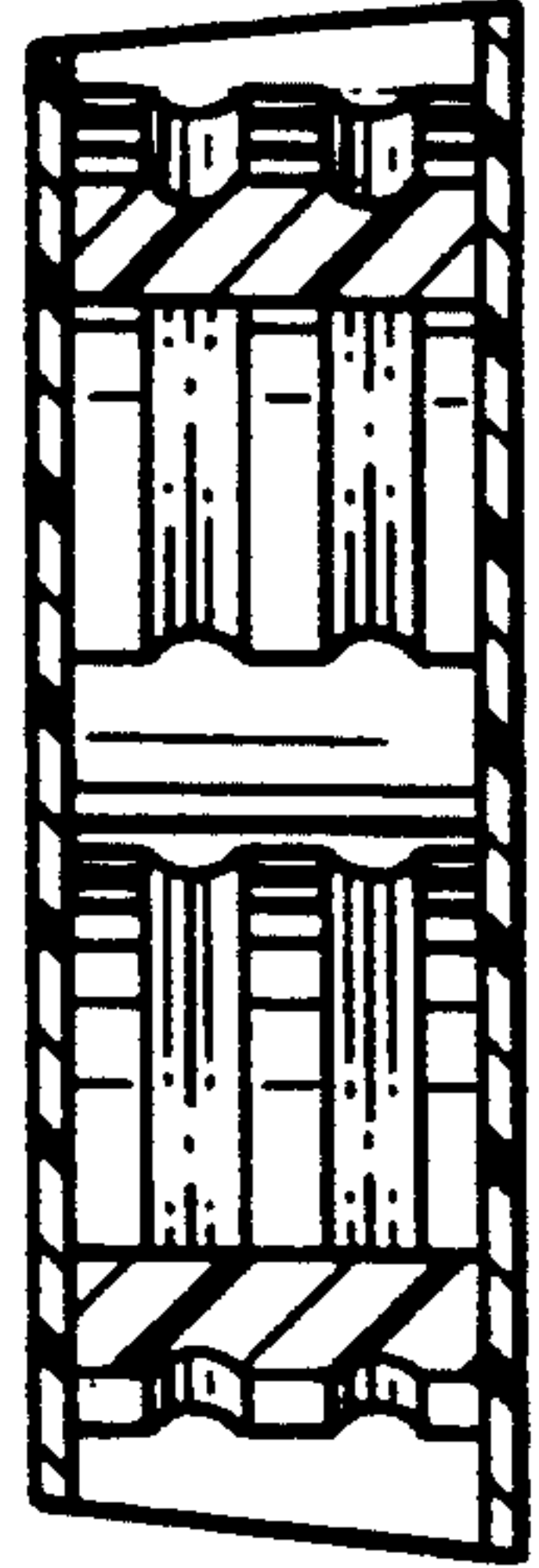
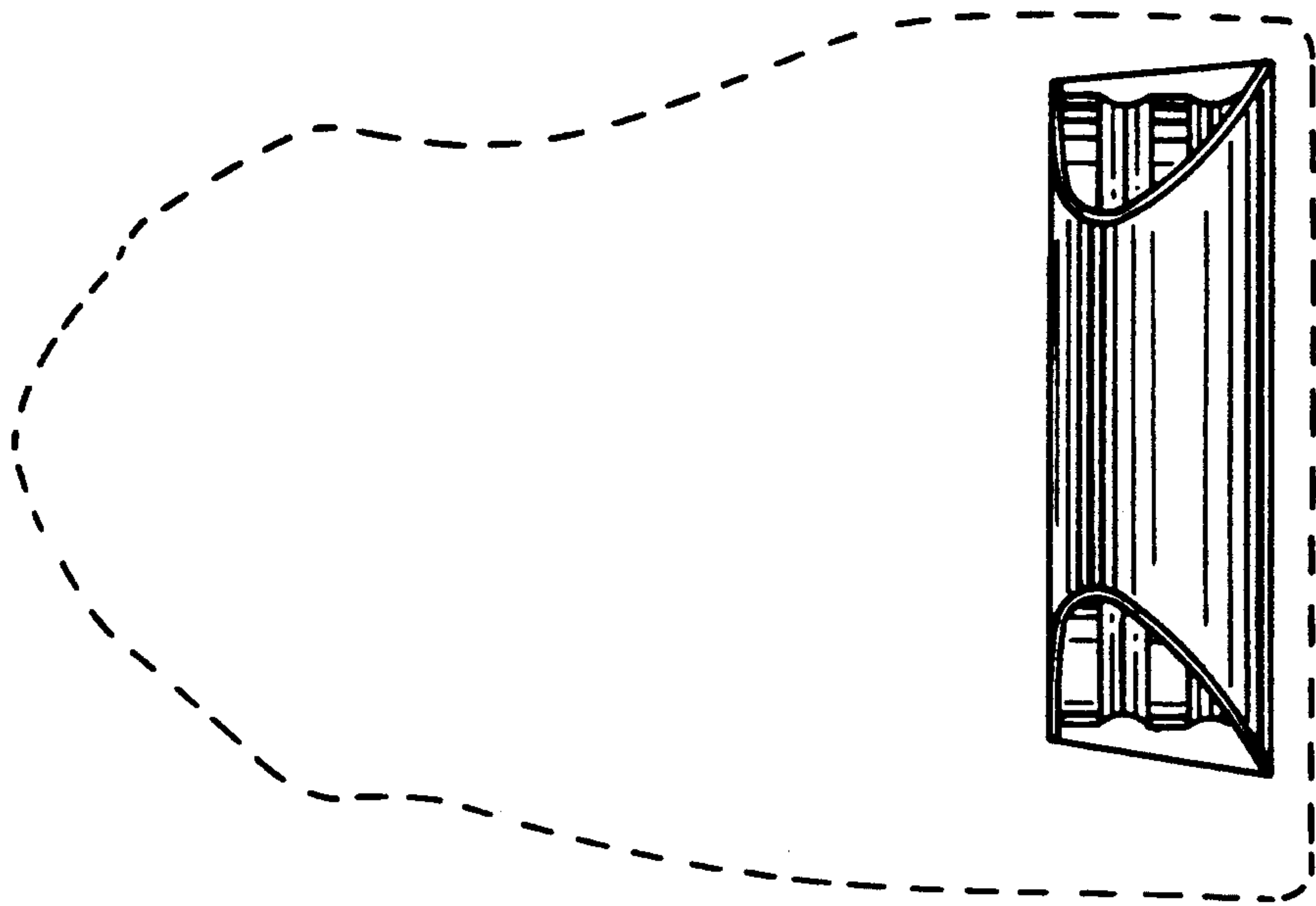
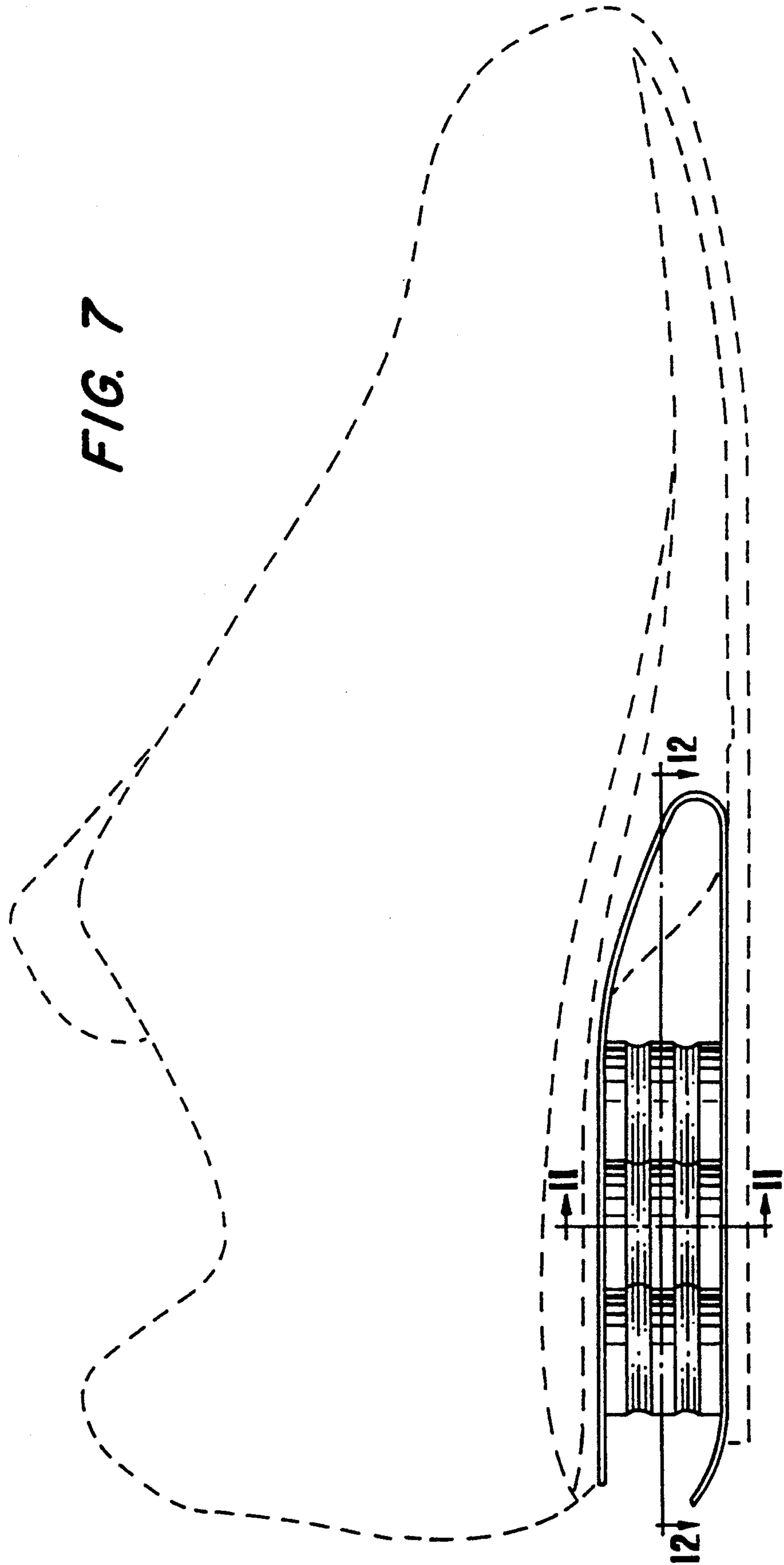
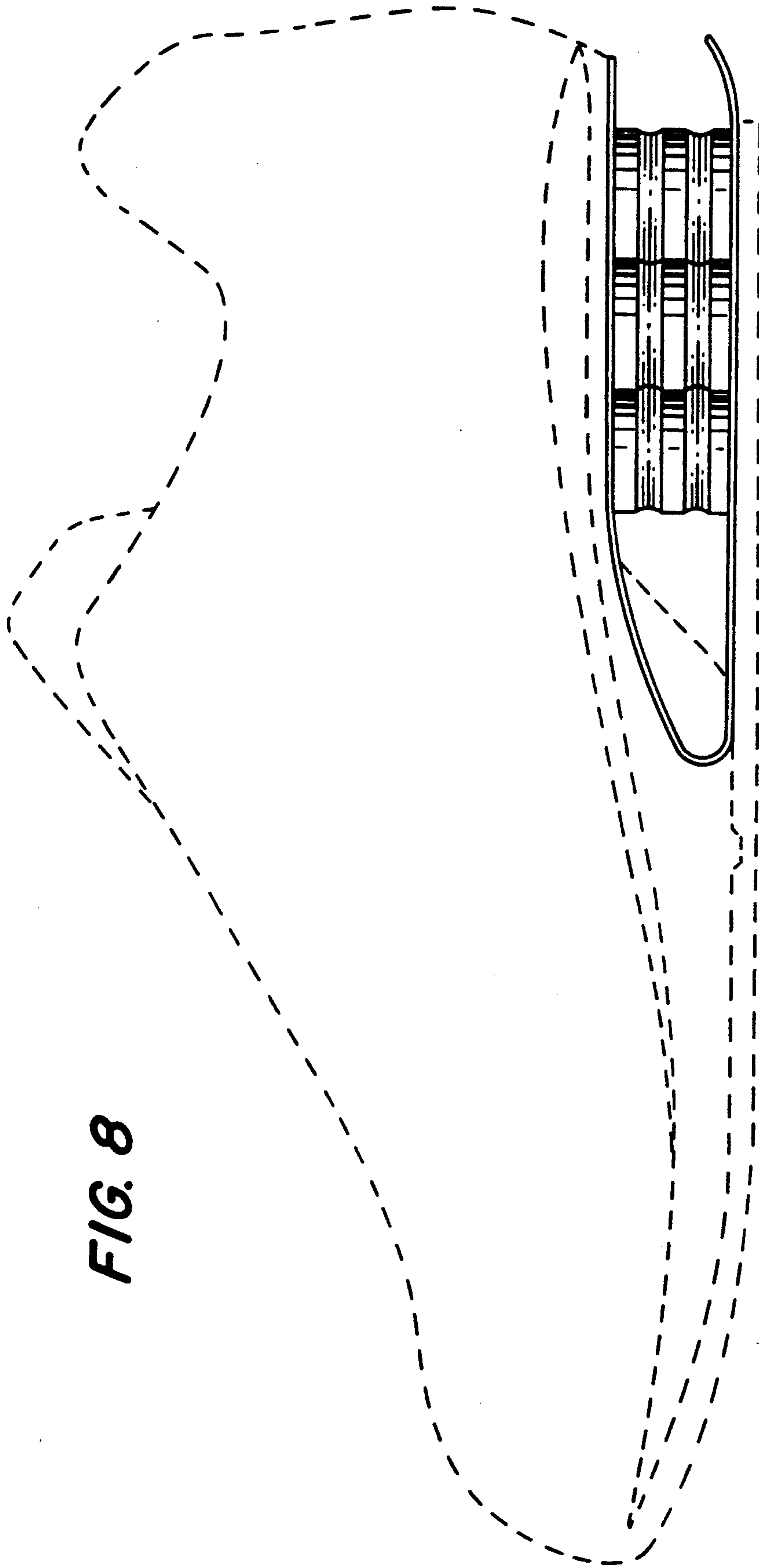


FIG. 4







**FIG. 8**



**FIG. 9**

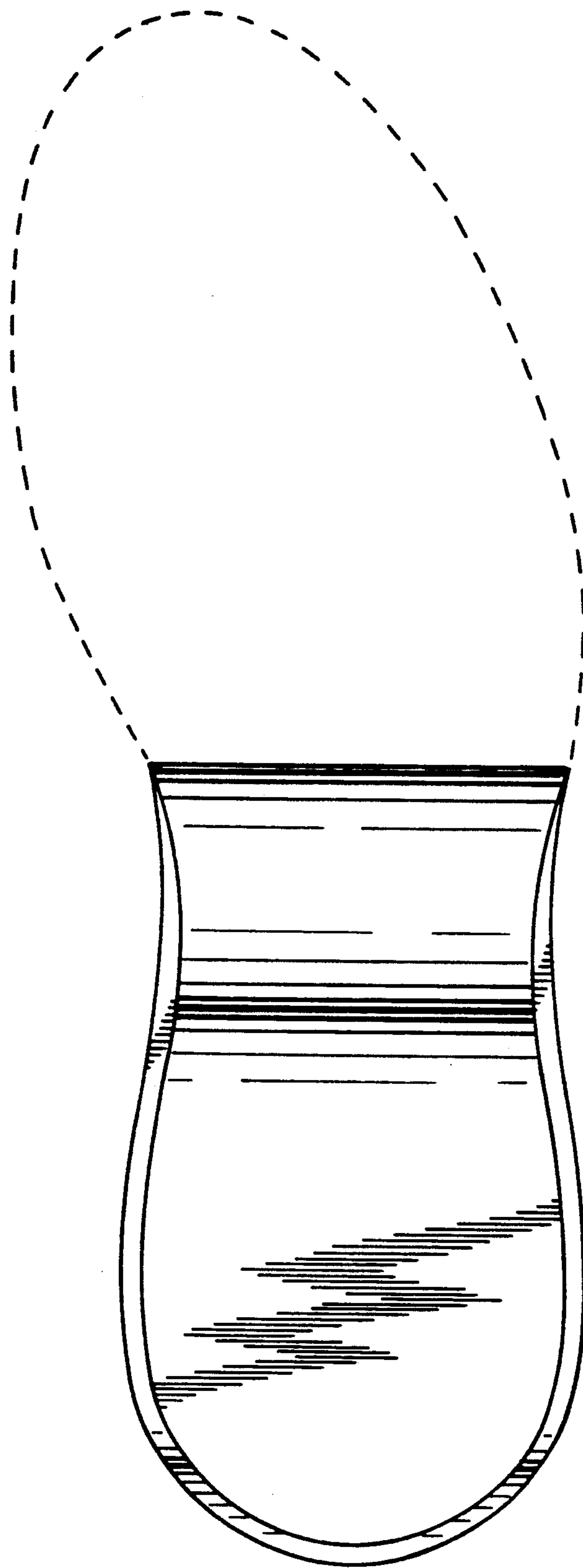


FIG. 11

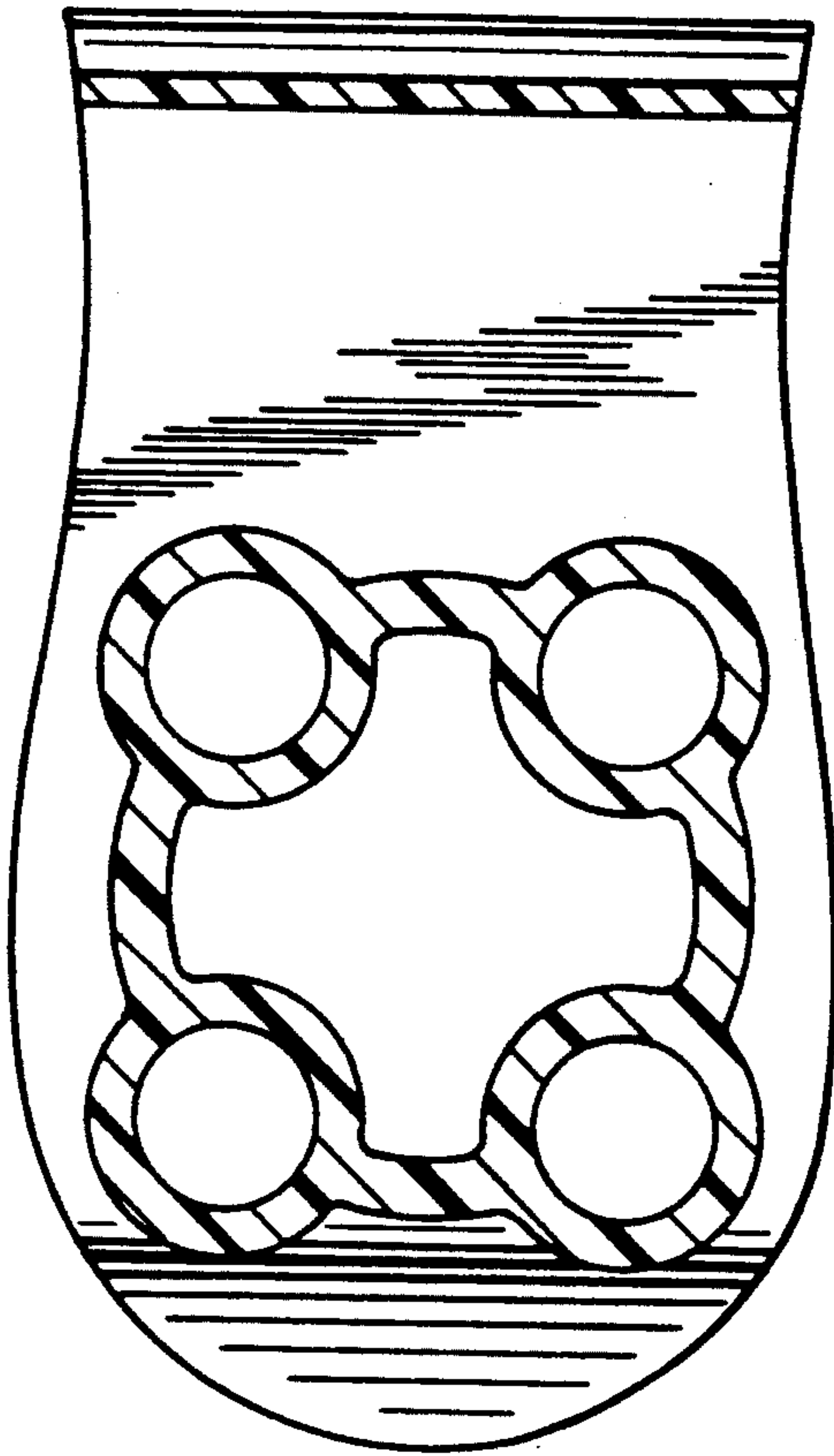


FIG. 12

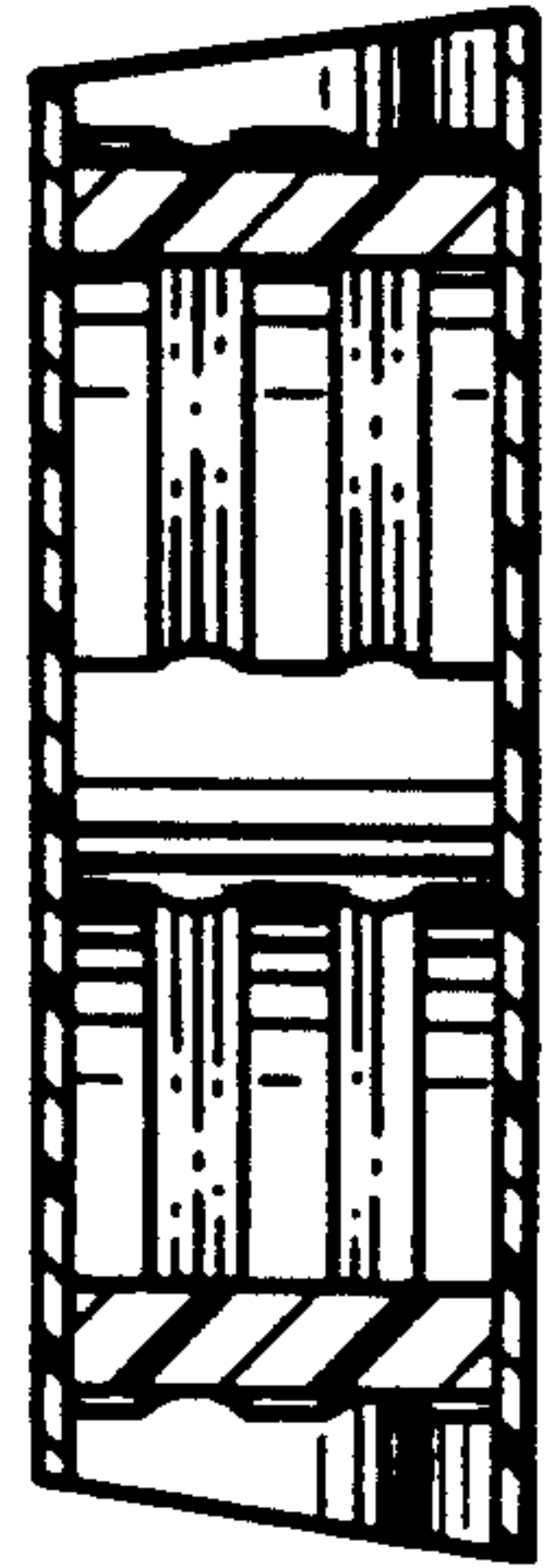


FIG. 10

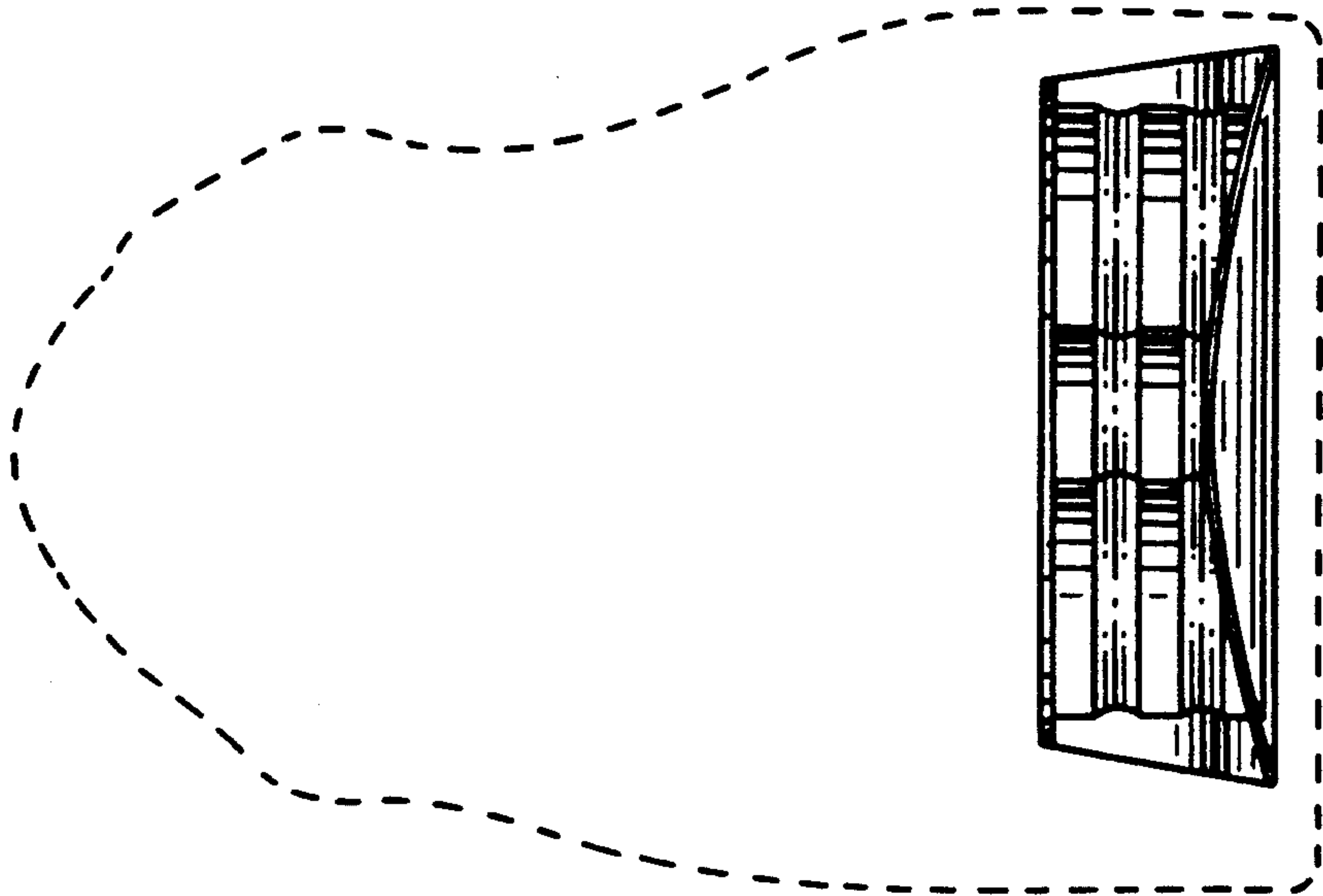
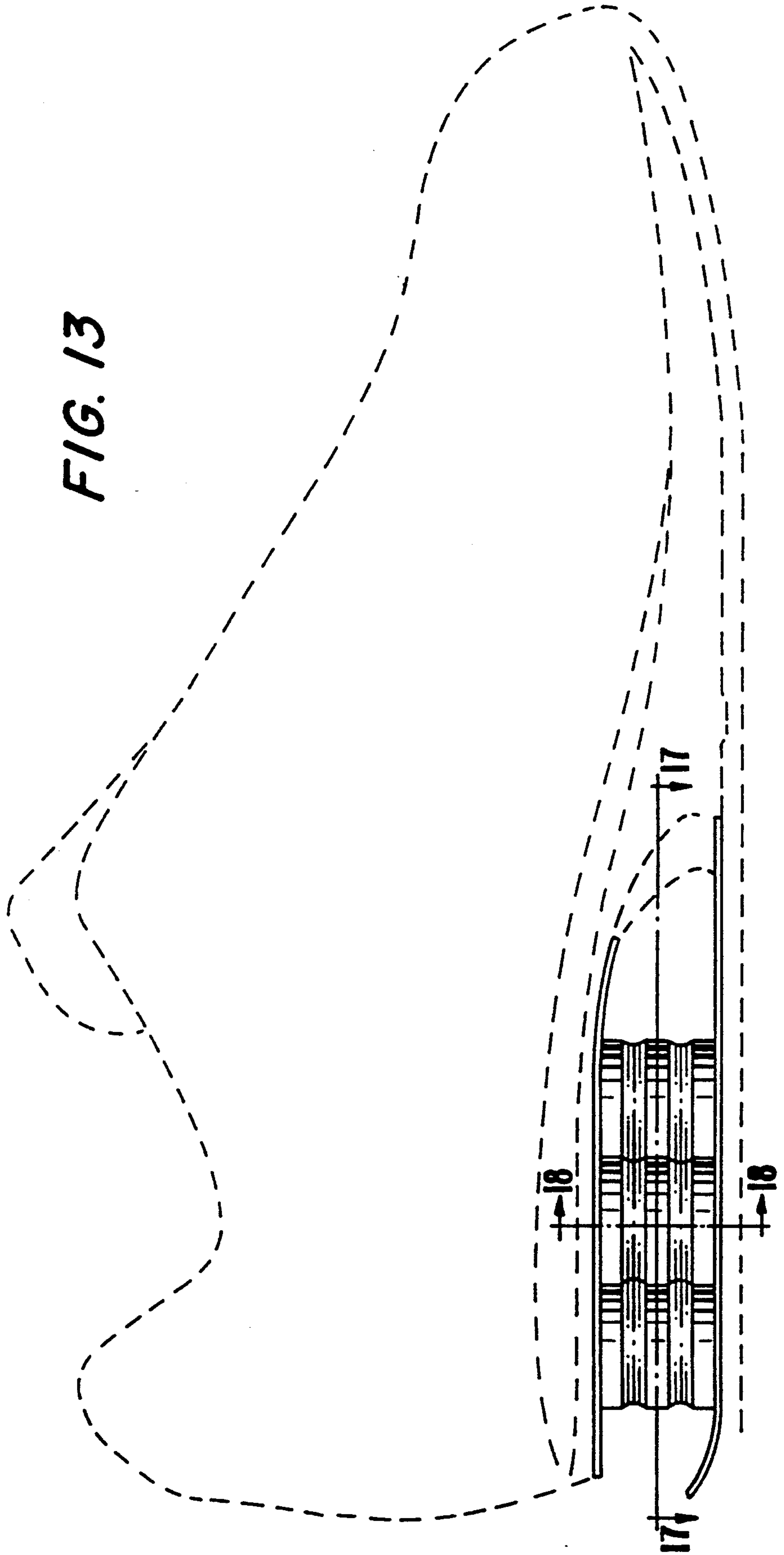
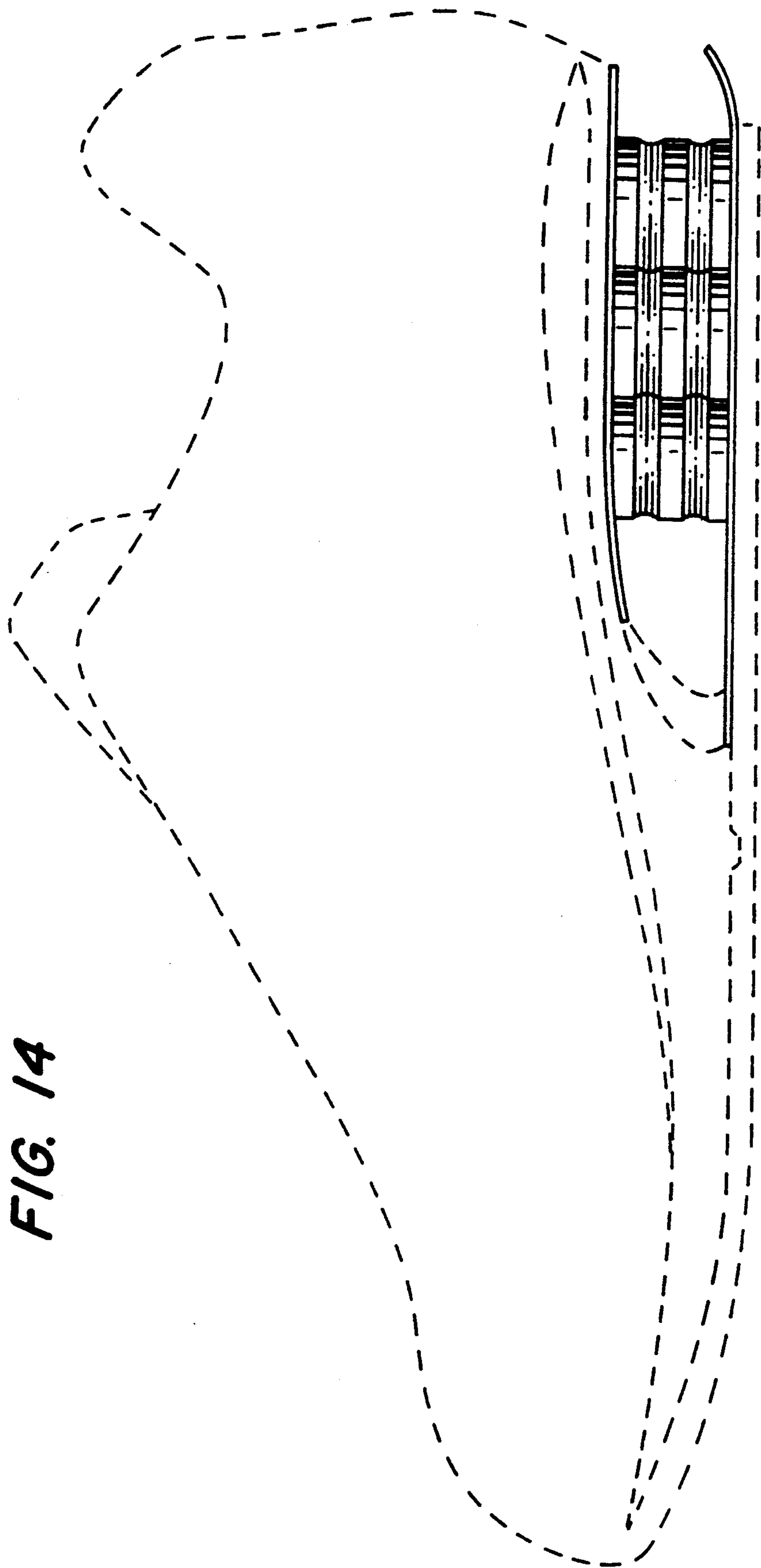


FIG. 13





**FIG. 14**

*FIG. 15*

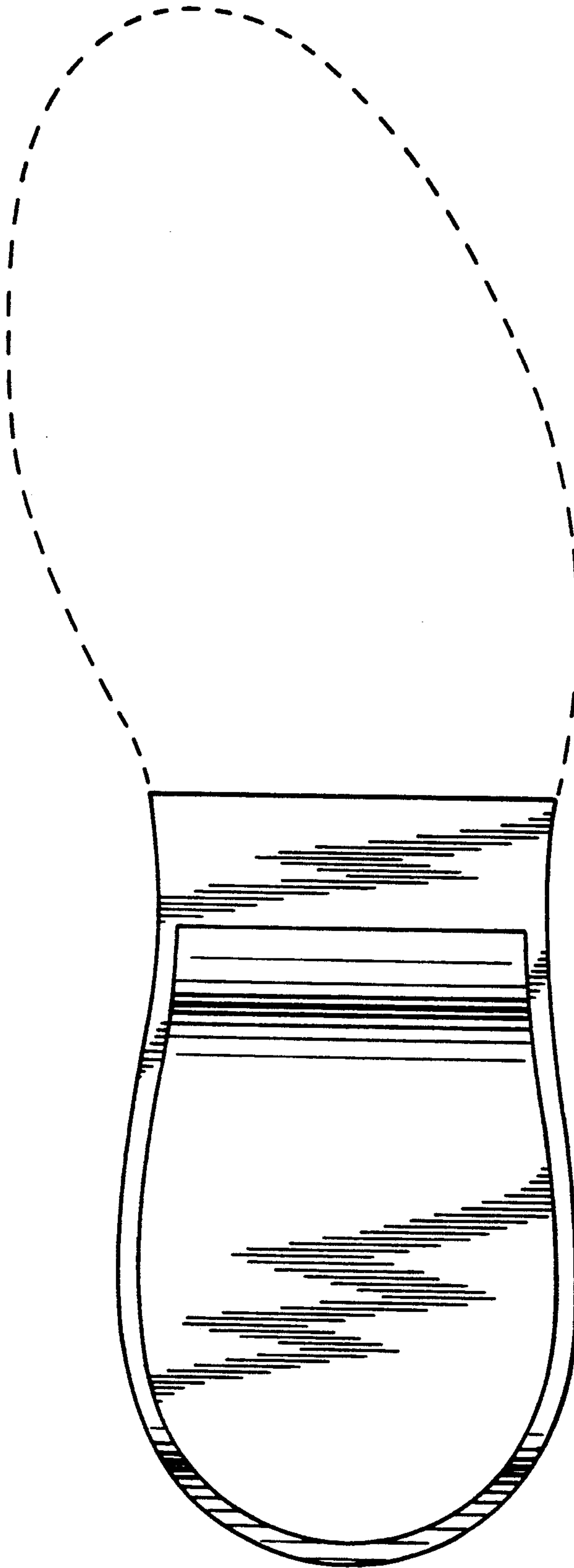


FIG. 17

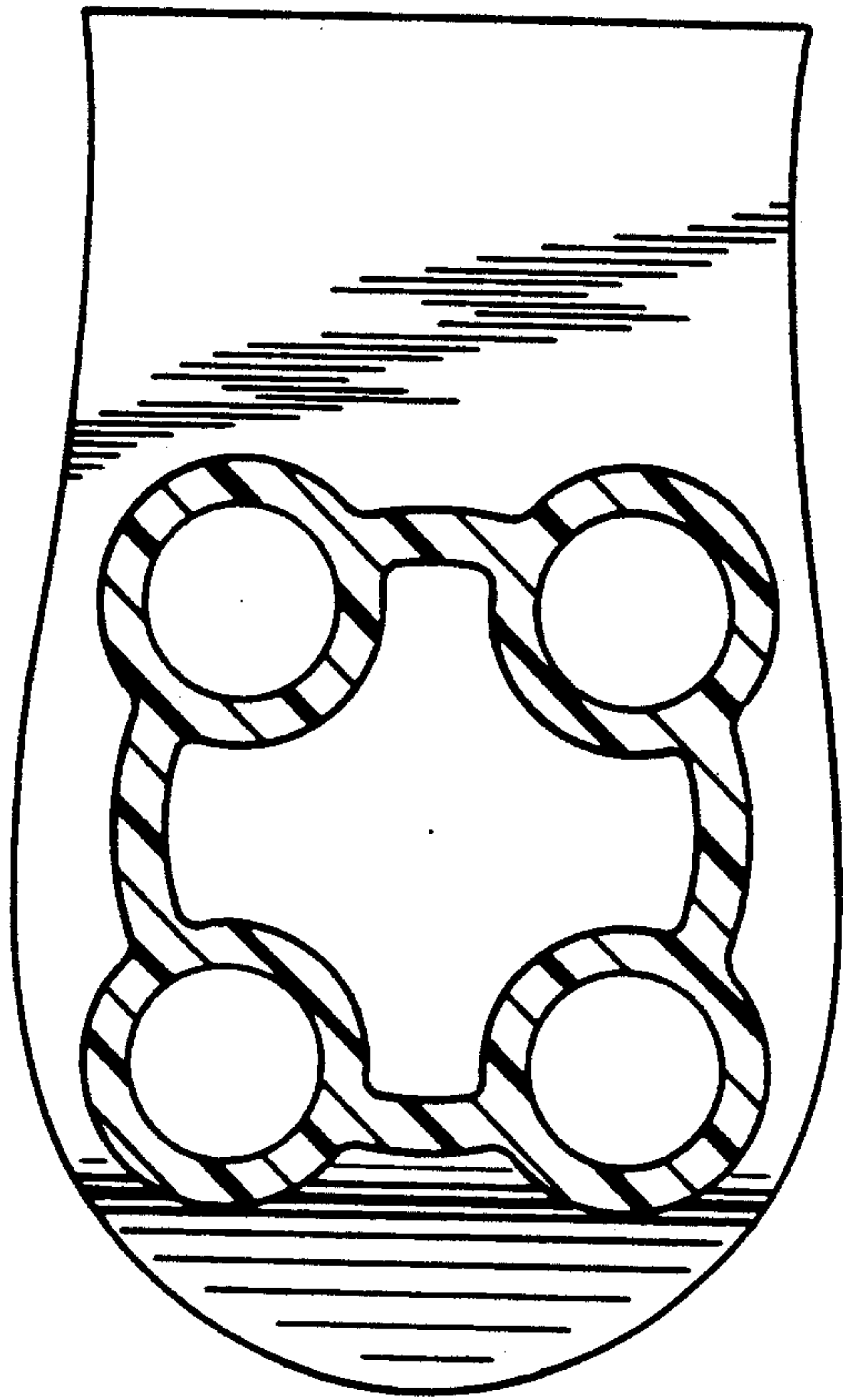


FIG. 18

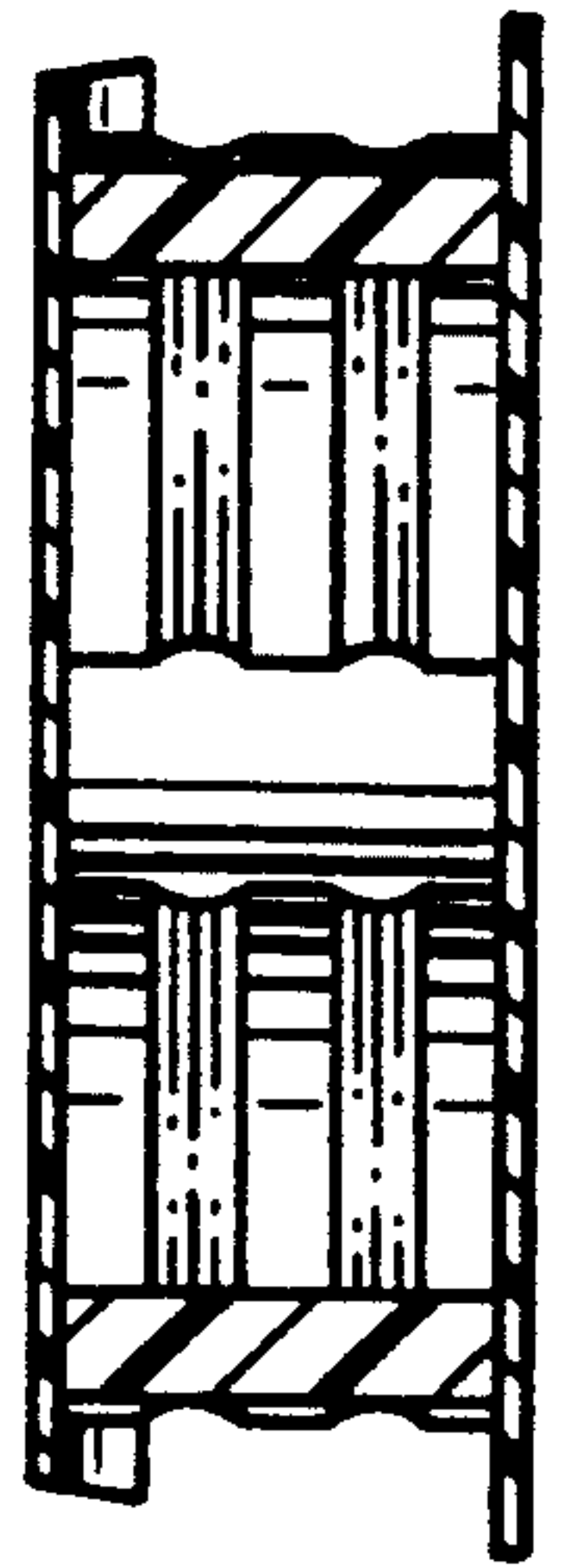


FIG. 16

