



US00D344166S

United States Patent [19]

[11] Patent Number: **Des. 344,166**

Jones

[45] Date of Patent: **** Feb. 8, 1994**

[54] **COMBINED STORAGE AND DISPENSER**

[76] Inventor: **Anita C. Jones, 75 Deep Step Rd., Covington, Ga. 30209**

[**] Term: **14 Years**

[21] Appl. No.: **839,231**

[22] Filed: **Feb. 20, 1992**

[52] U.S. Cl. **D32/30**

[58] Field of Search 222/52, 173, 181, 185, 222/638, 644, 148-151; 68/17 R, 17 A, 13 A, 12.18; D6/542, 545; D32/25, 30

3,220,607	11/1965	Seal	222/54
3,370,751	2/1968	Braga	222/76
3,771,333	11/1973	Jurjans	68/12 R
3,982,666	9/1976	Kleimola et al.	222/70
4,875,607	10/1989	Torita et al.	68/17 R
4,917,272	4/1990	Ikeda	68/17 R

Primary Examiner—Ruth McInroy
Attorney, Agent, or Firm—Timmons & Kelly

[57] **CLAIM**

The ornamental design for a combined storage and dispenser, as shown.

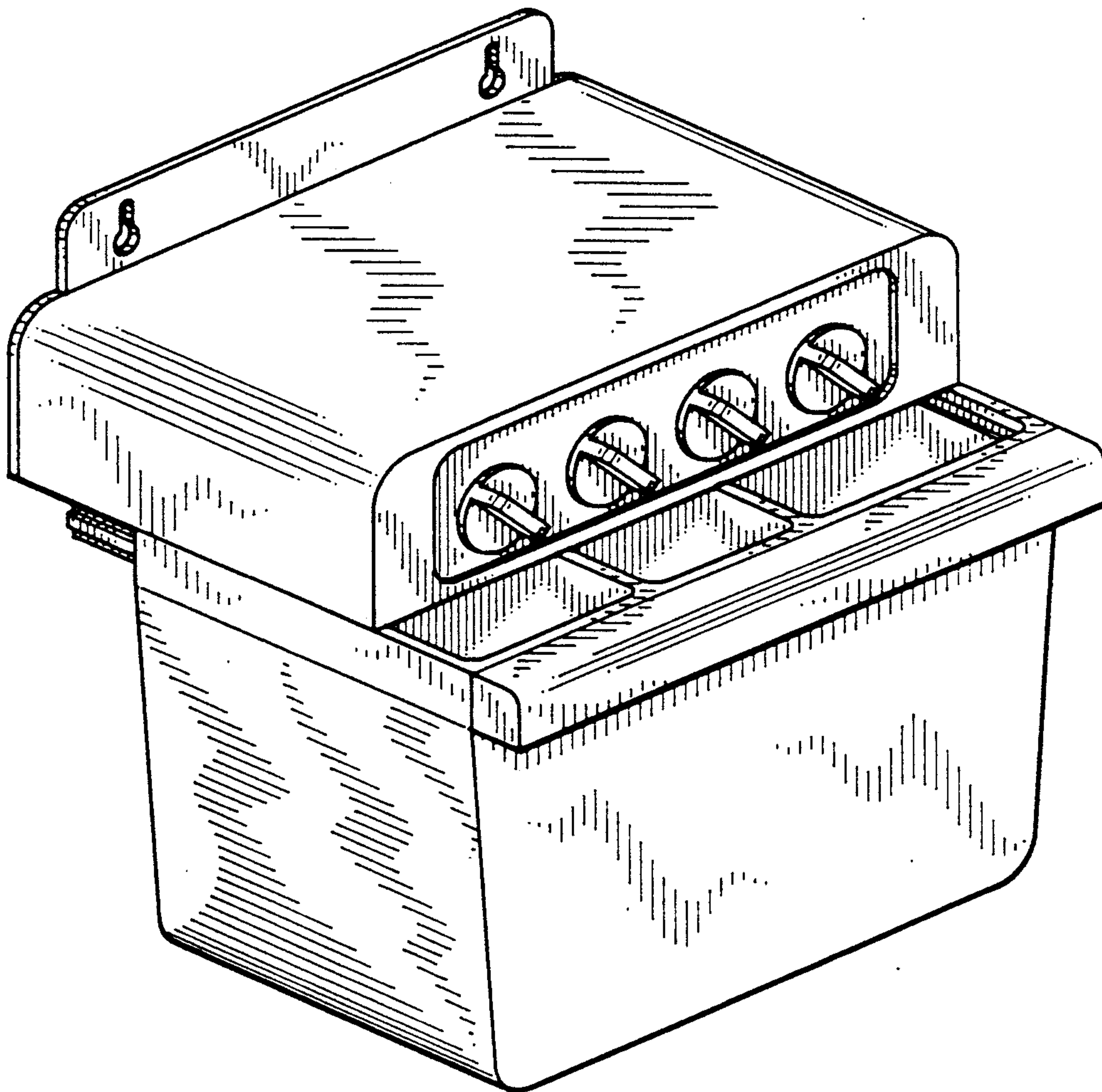
[56] **References Cited**

U.S. PATENT DOCUMENTS

D. 243,374	2/1977	Cassla	D6/545
D. 289,480	4/1987	der Kinderen et al.	D6/545
D. 306,923	3/1990	Bodecker et al.	D32/25
D. 324,619	3/1992	Comstock et al.	D6/545
2,948,437	8/1960	Nielsen	222/70
3,044,667	7/1962	Lucas	222/454
3,133,673	5/1964	Buss	222/70

DESCRIPTION

FIG. 1 is a front perspective view of a combined storage and dispenser showing my new design; FIG. 2 is a front elevational view thereof; FIG. 3 is a rear elevational view thereof; FIG. 4 is a right side elevational view thereof; FIG. 5 is a left side elevational view thereof; FIG. 6 is a top plan view thereof; and, FIG. 7 is a bottom plan view thereof.



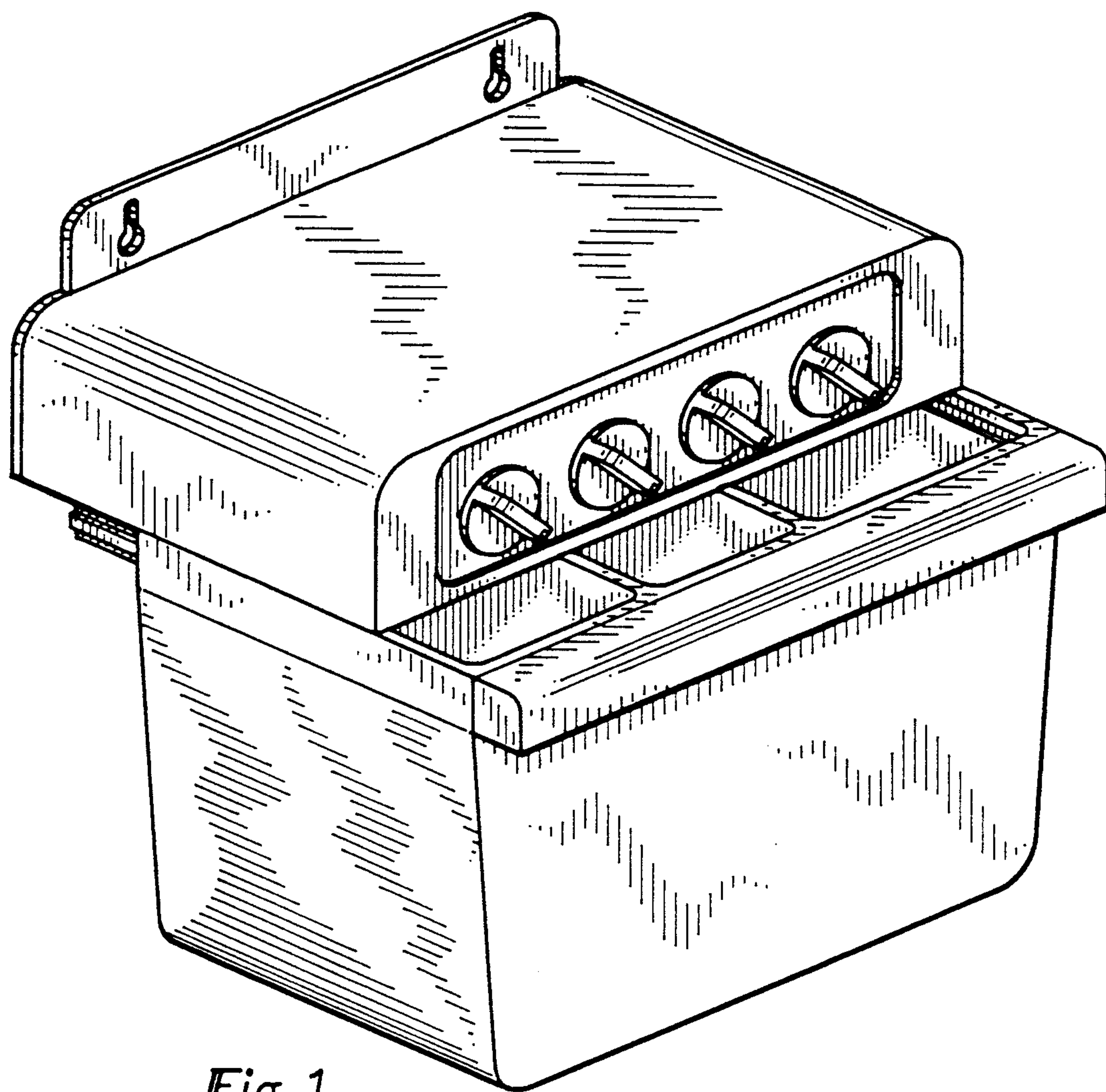


Fig. 1

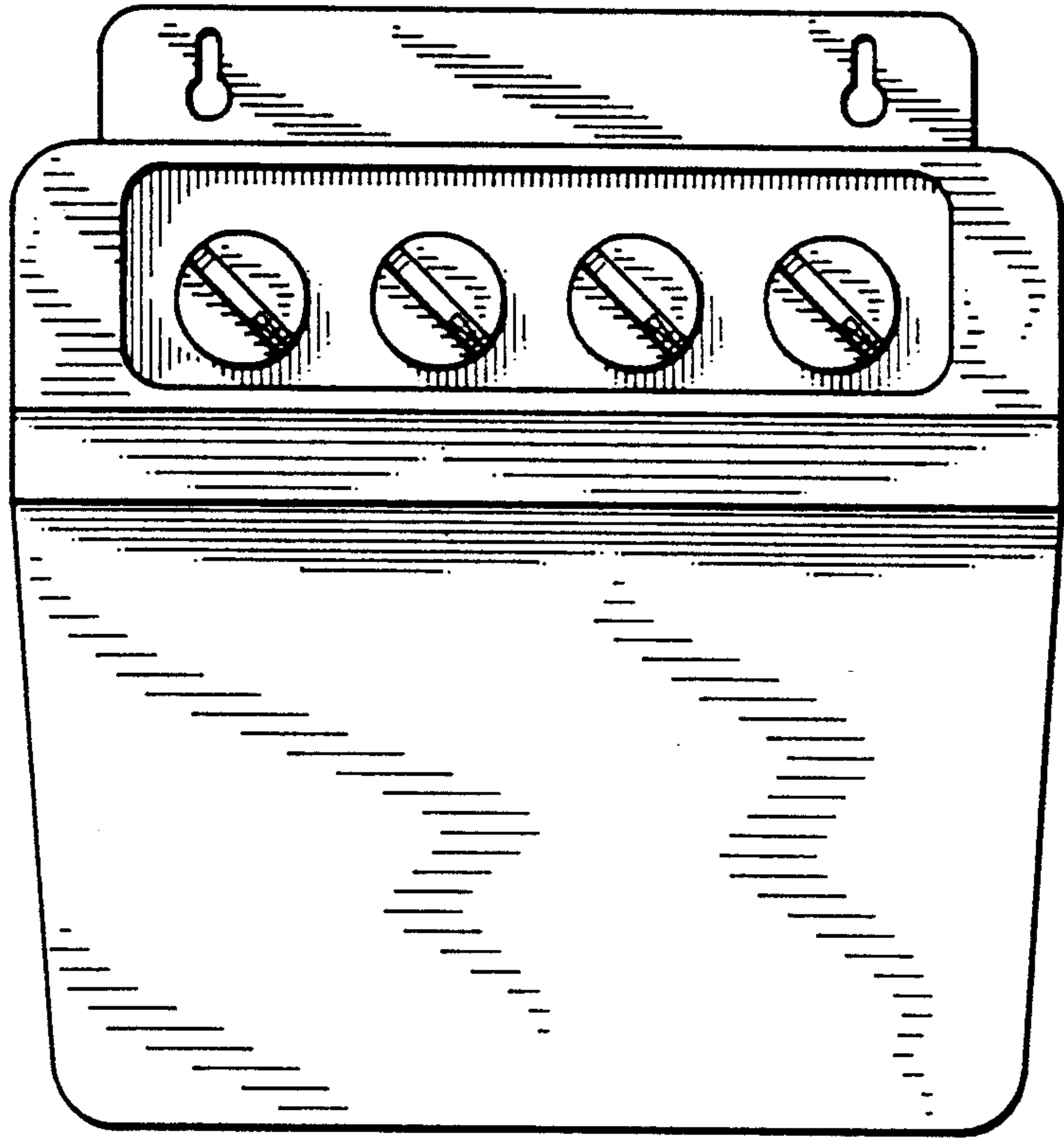


Fig. 2

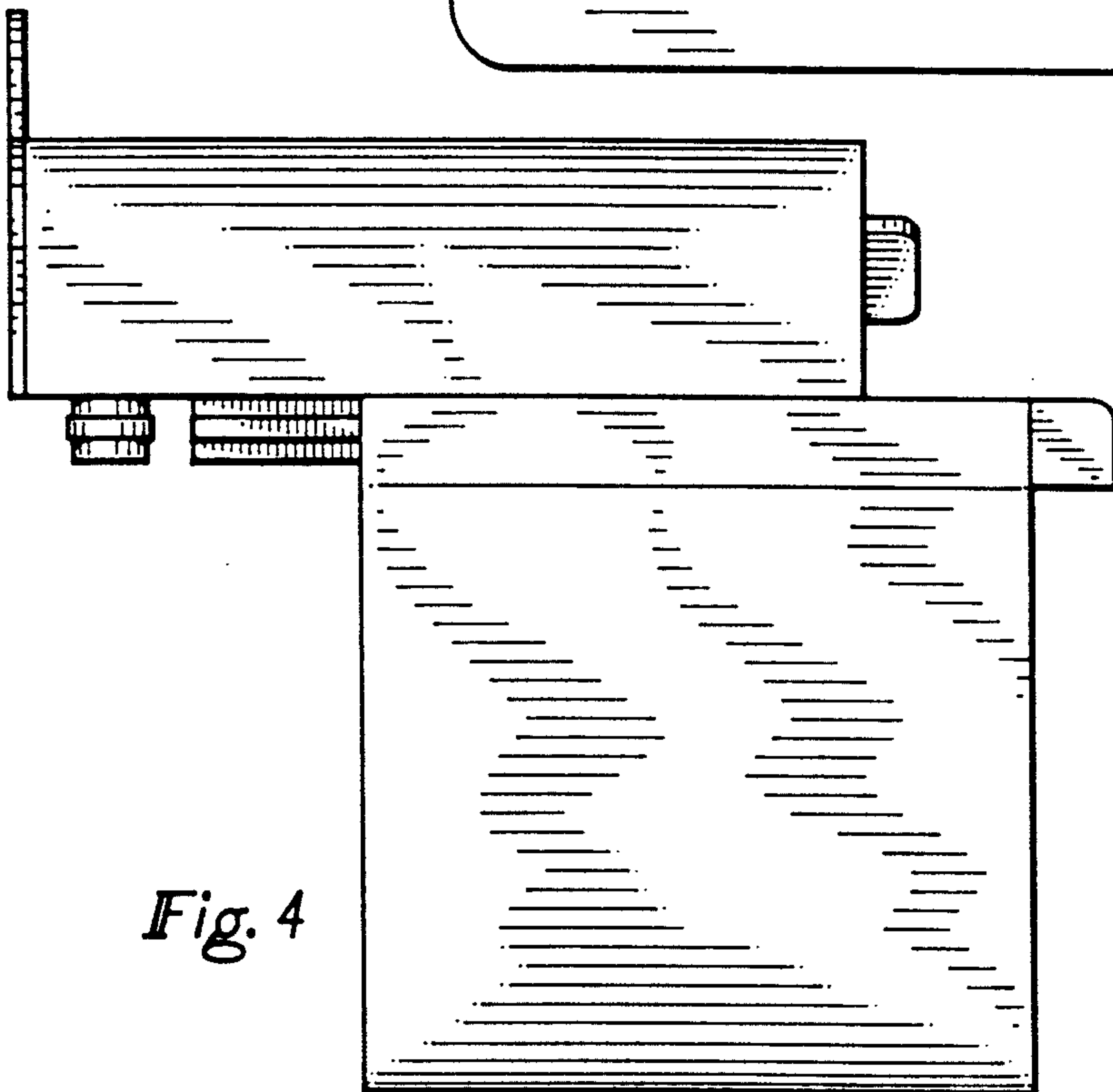


Fig. 4

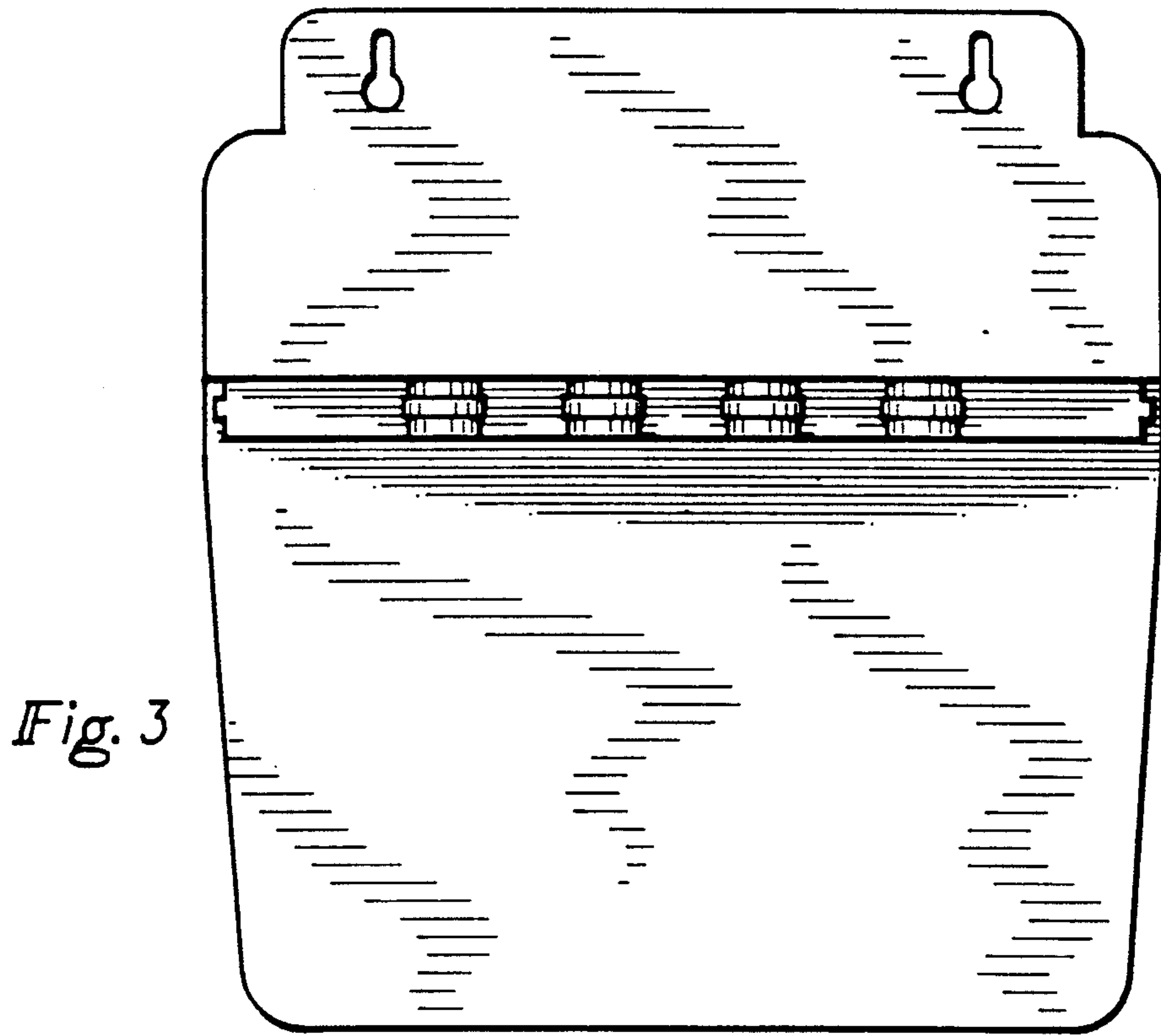


Fig. 3

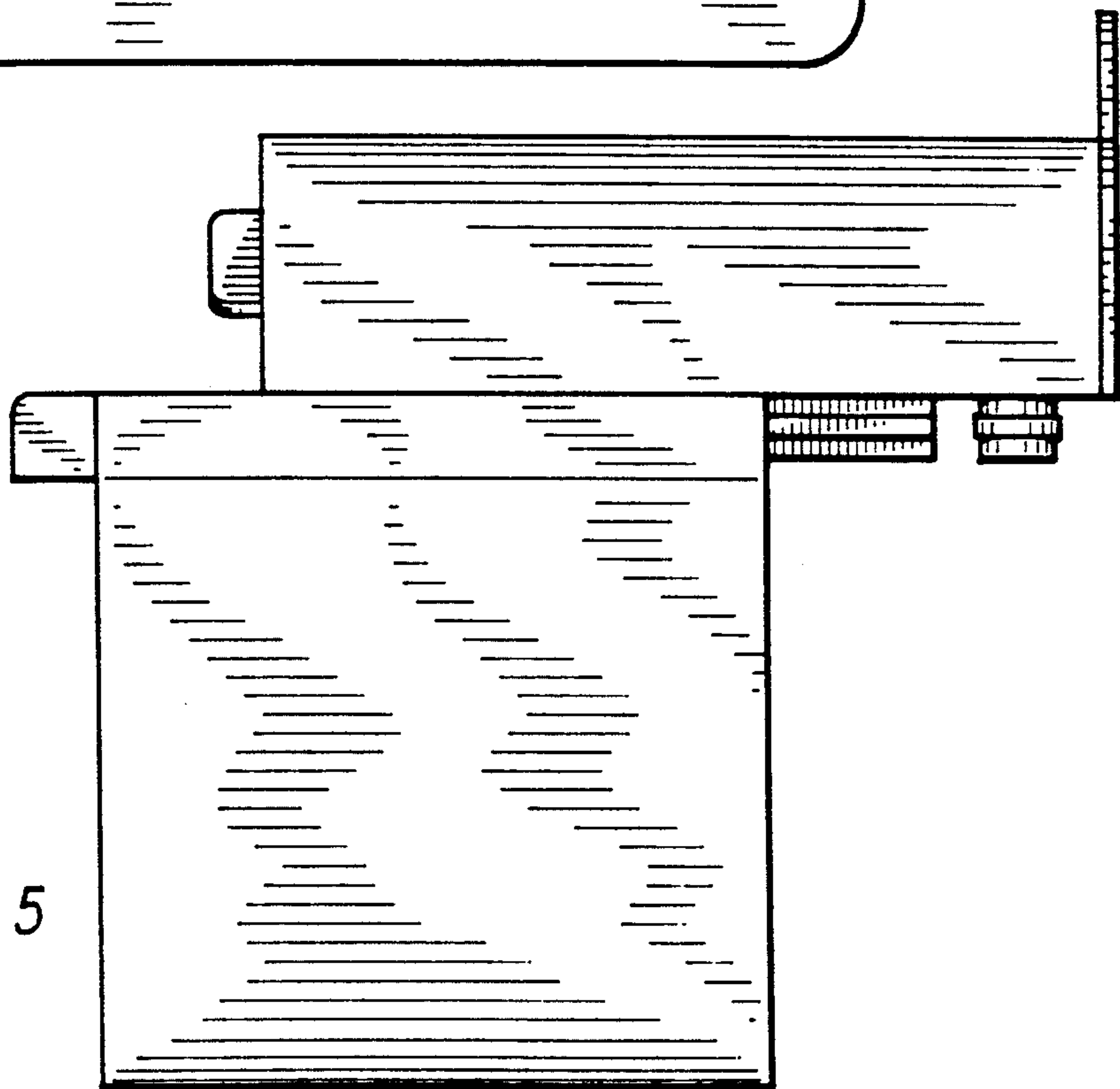


Fig. 5

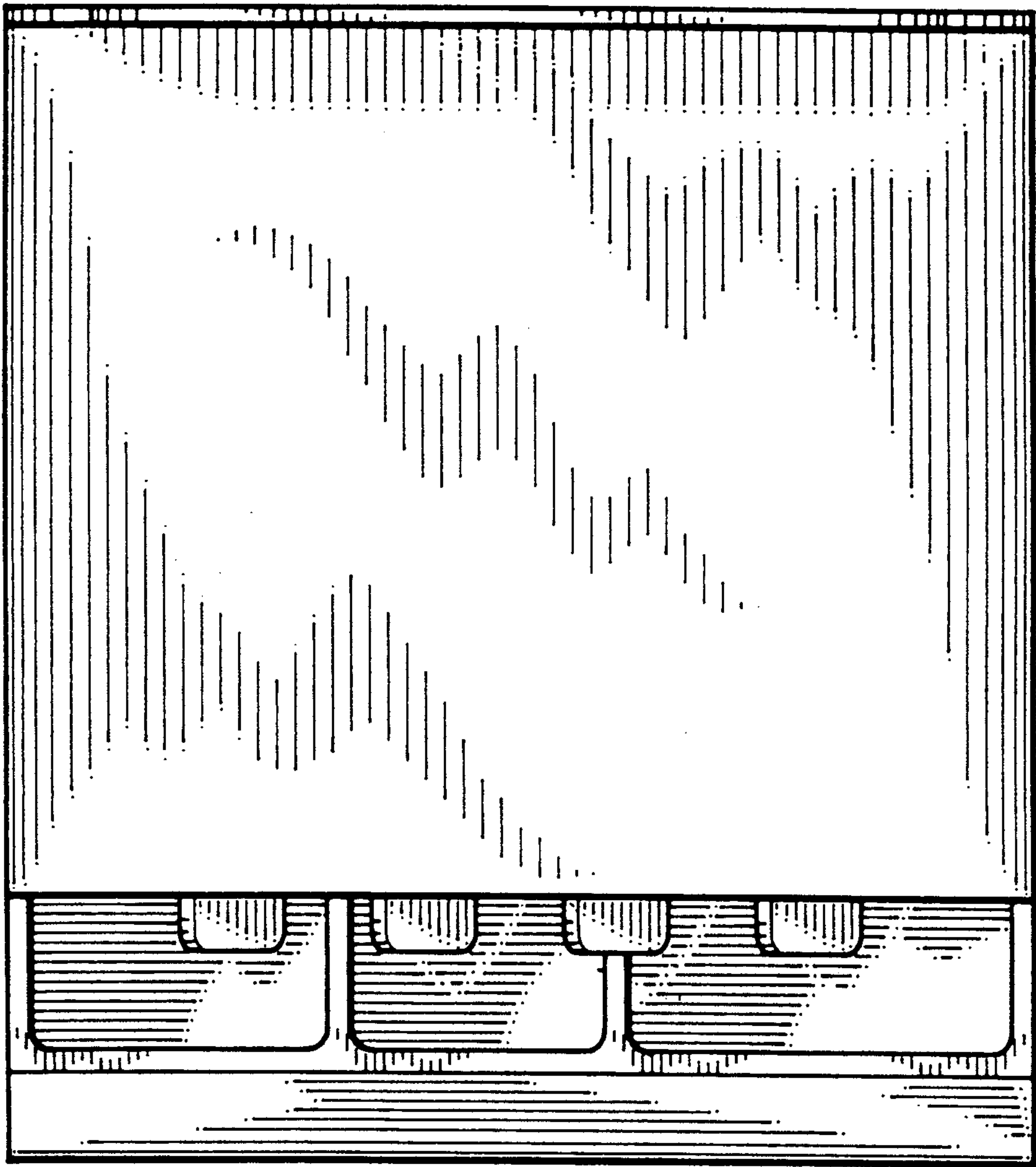


Fig. 6

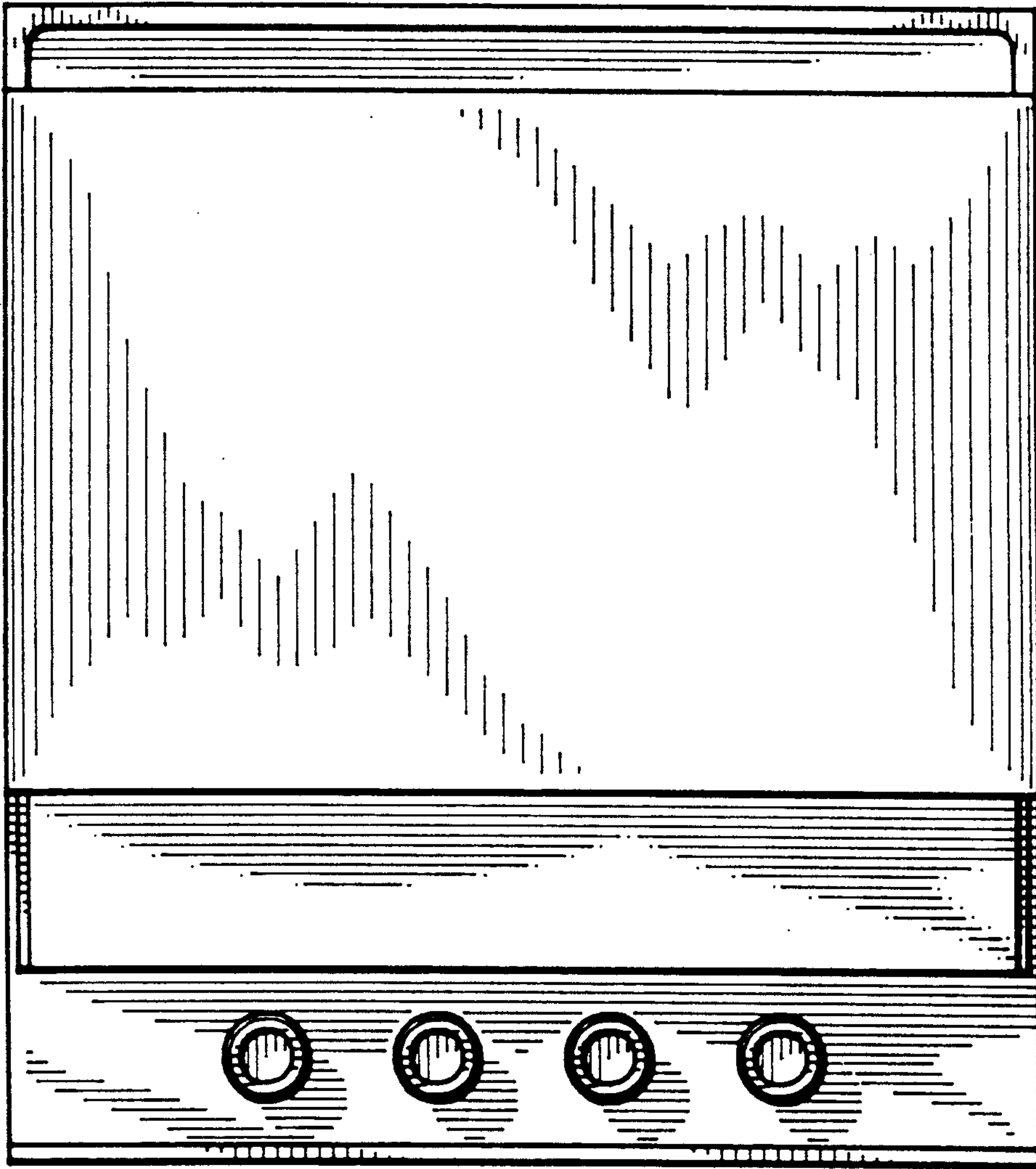


Fig. 7