



US00D344149S

United States Patent [19]

[11] Patent Number: **Des. 344,149**

Mele

[45] Date of Patent: **** Feb. 8, 1994**

[54] **LIGHT FOR A REMOTE CONTROL DEVICE**

5,183,325 2/1993 Hurdle 362/109

[76] Inventor: **Peter C. Mele**, P.O. Box 1596,
Burlington, Vt. 05402

Primary Examiner—Susan J. Lucas
Attorney, Agent, or Firm—Thomas N. Neiman

[**] Term: **14 Years**

[57] **CLAIM**

[21] Appl. No.: **751,227**

The ornamental design for a light for a remote control device, as shown and described.

[22] Filed: **Aug. 26, 1991**

[52] U.S. Cl. **D26/37**

[58] Field of Search 362/157, 158, 183-202,
362/205, 206, 208, 109, 119, 120, 154, 156;
D26/37, 37/50

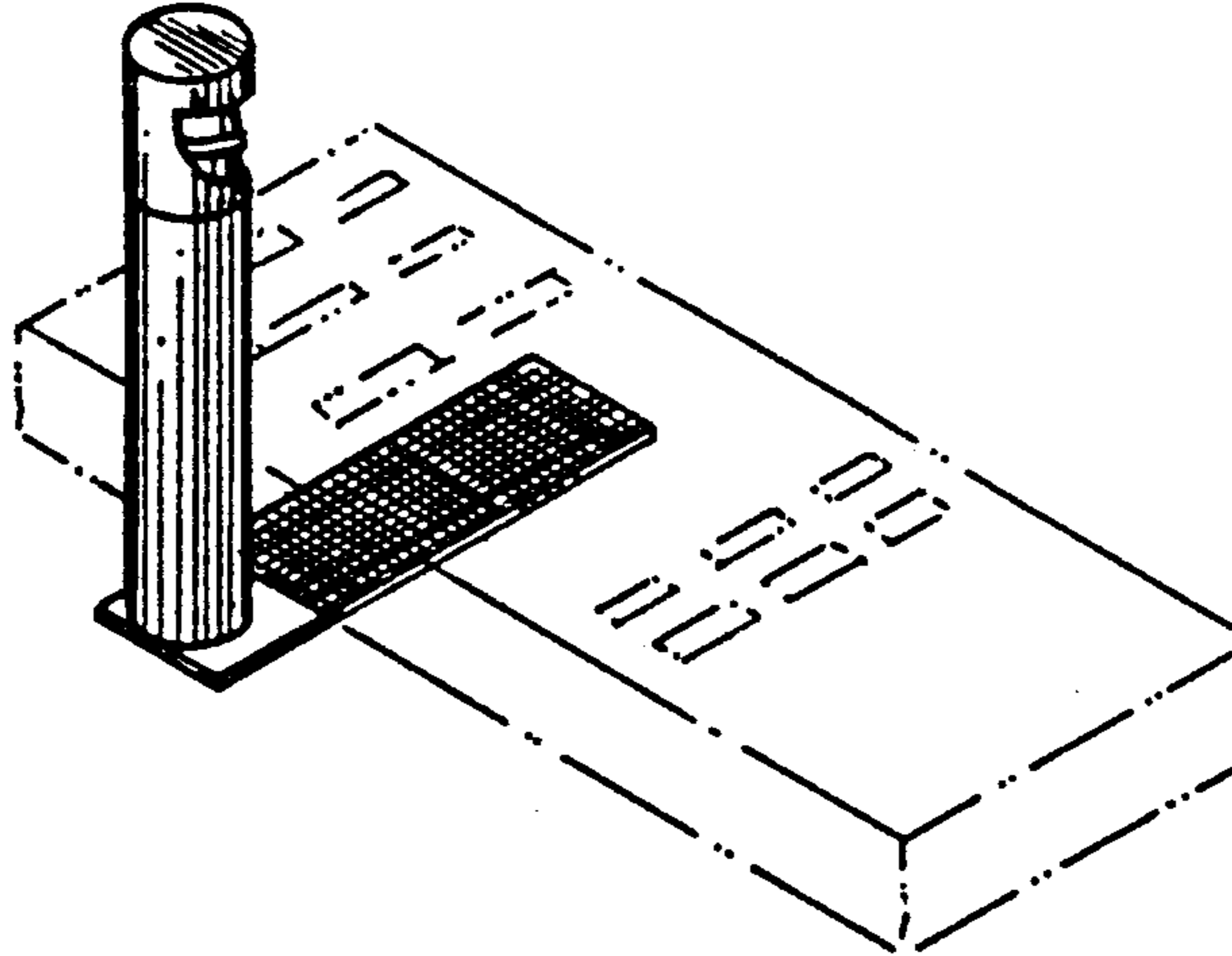
DESCRIPTION

[56] References Cited

U.S. PATENT DOCUMENTS

D. 327,954	7/1992	Lawrence	D26/37
4,893,222	1/1990	Mintzer	362/157 X
4,949,230	8/1990	Burmeister	362/109

FIG. 1 is a side elevational view of the light for a remote control device showing my new design; FIG. 2 is a rear elevational view thereof, the front view of the cylindrical light housing being identical; FIG. 3 is a top plan view thereof; FIG. 4 is a bottom plan view thereof; and, FIG. 5 is a perspective view thereof on a reduced scale, the remote control device being shown in broken lines for illustrative purposes only.



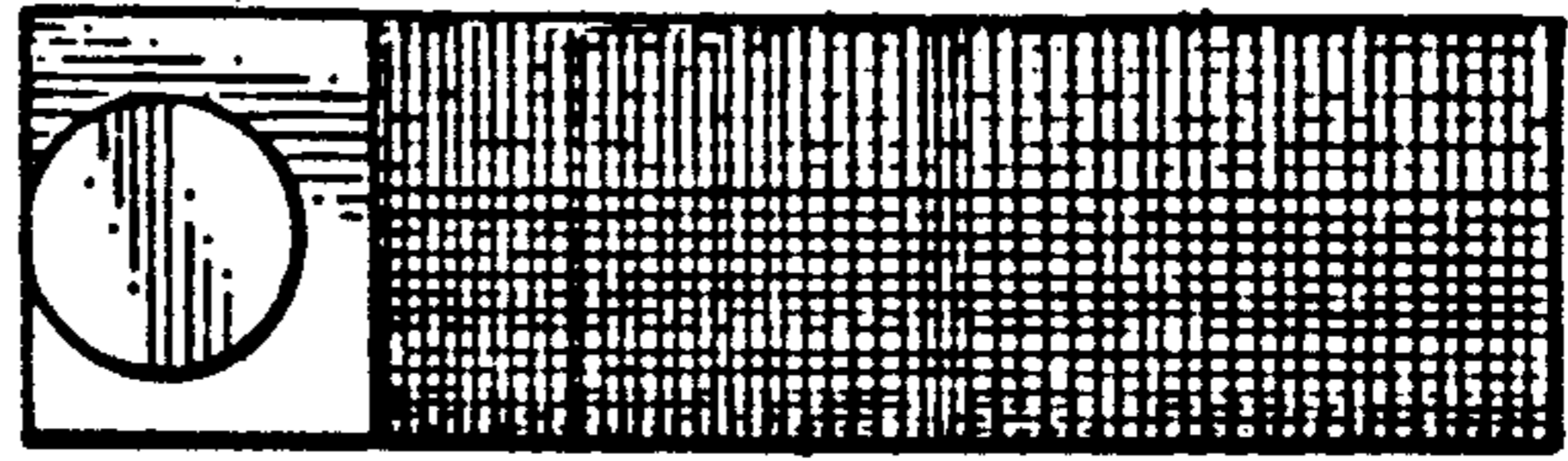


FIG. 3

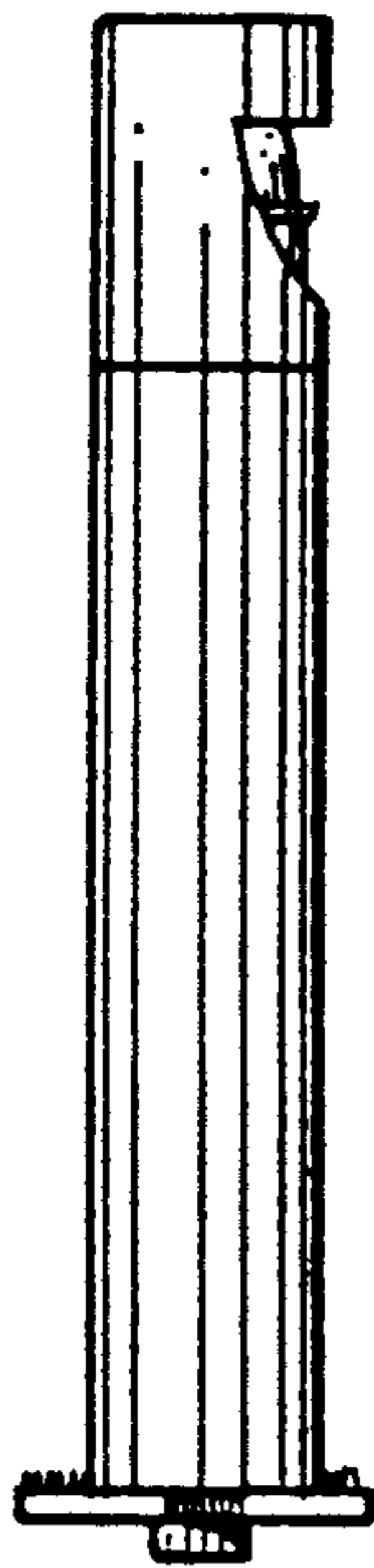


FIG. 2

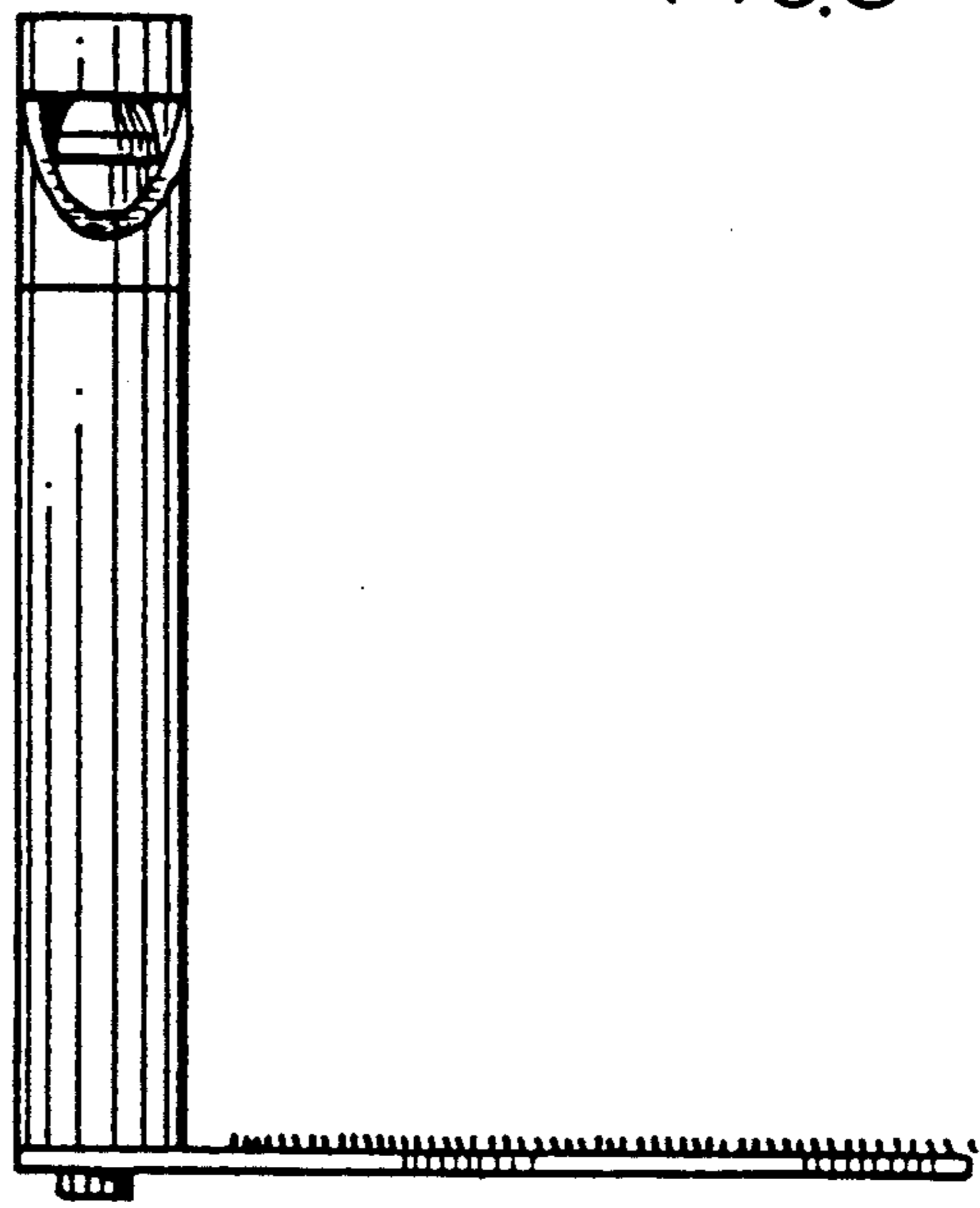


FIG. 1

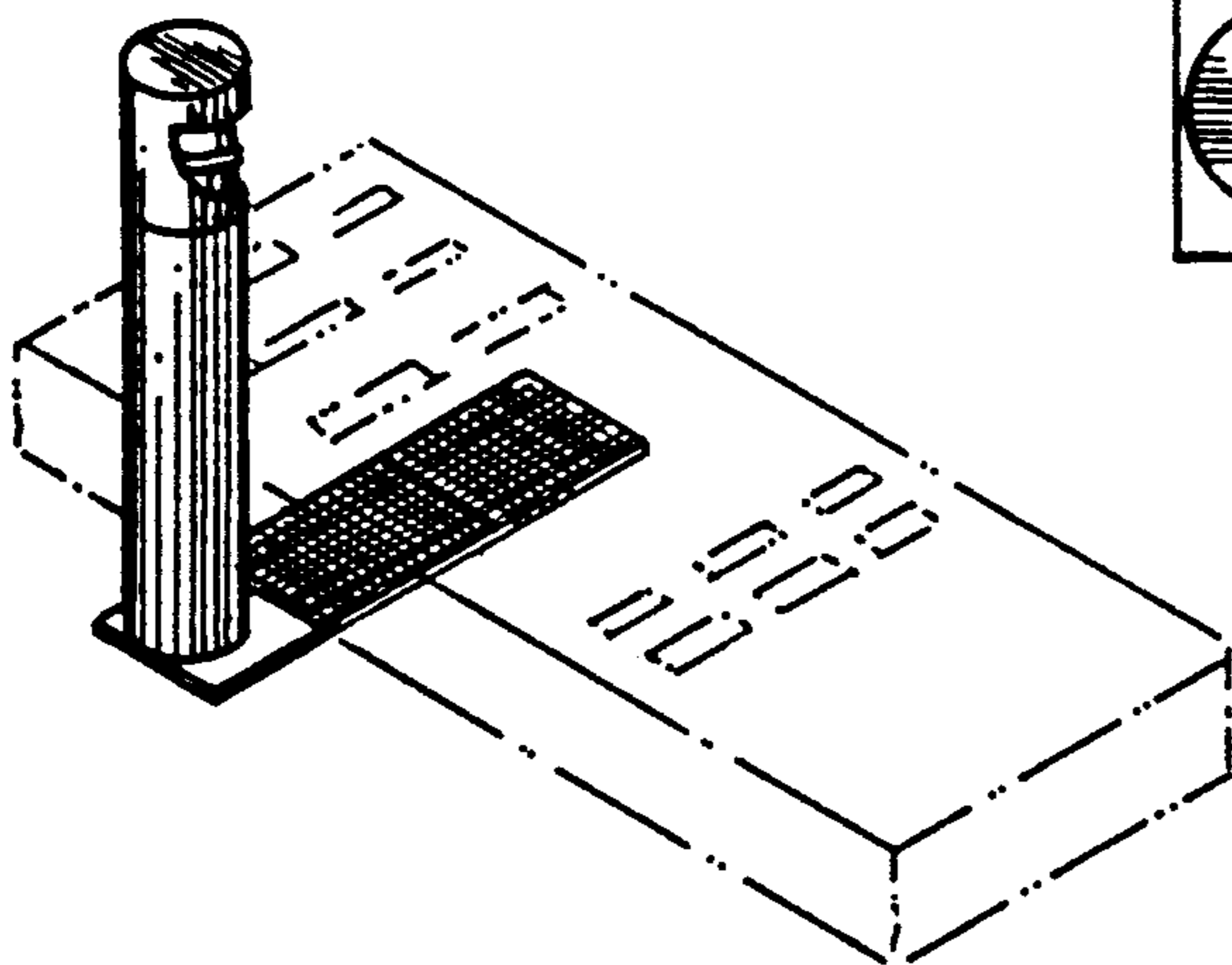


FIG 5

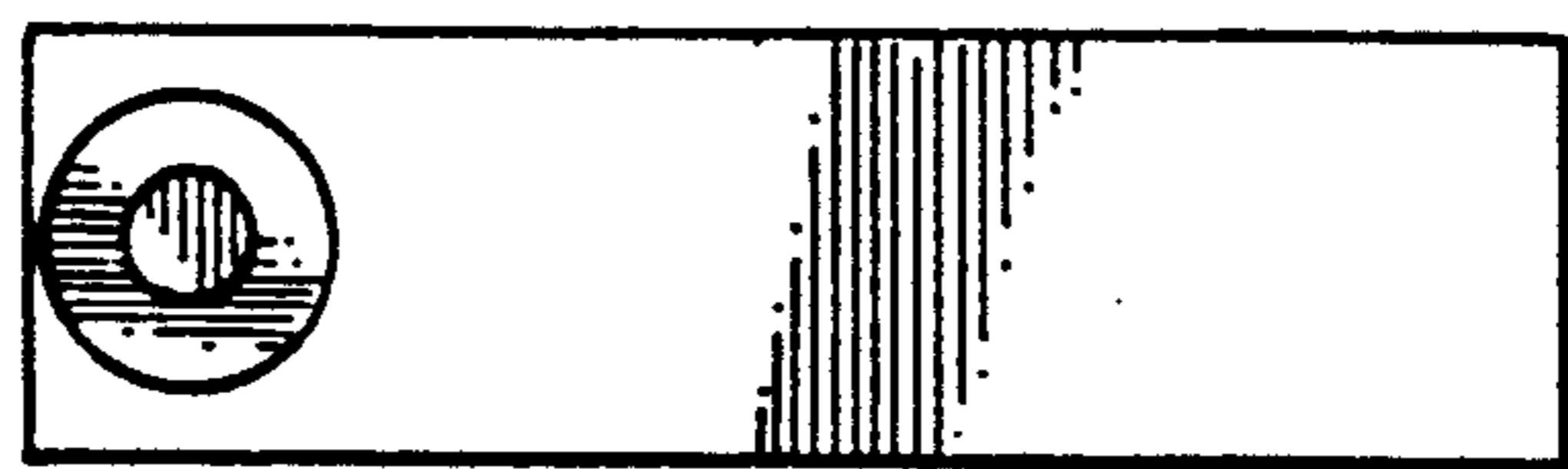


FIG. 4