



US00D344148S

United States Patent [19]

[11] Patent Number: Des. 344,148

Yuen

[45] Date of Patent: ** Feb. 8, 1994

[54] WEATHER RESISTANT BICYCLE LIGHT

[75] Inventor: John S. Yuen, Kowloon, Hong Kong

[73] Assignee: John Manufacturing Limited,
Kowloon, Hong Kong

[**] Term: 14 Years

[21] Appl. No.: 903,814

[22] Filed: Jun. 23, 1992

[30] Foreign Application Priority Data

Dec. 24, 1991 [GB] United Kingdom 2 019 827
[52] U.S. Cl. D26/28; D26/34
[58] Field of Search 362/61, 73, 157, 158,
362/183, 362/202; 340/432; D26/36, 37/50

[56] References Cited

U.S. PATENT DOCUMENTS

D. 295,324 4/1988 Drane D26/34

FOREIGN PATENT DOCUMENTS

1052570 7/1988 United Kingdom D26/157, 158,
362 42

OTHER PUBLICATIONS

American Bicyclist & Motorcyclist, Apr. 1989, p. 21,
"Nice Lite" Bicycle Light.

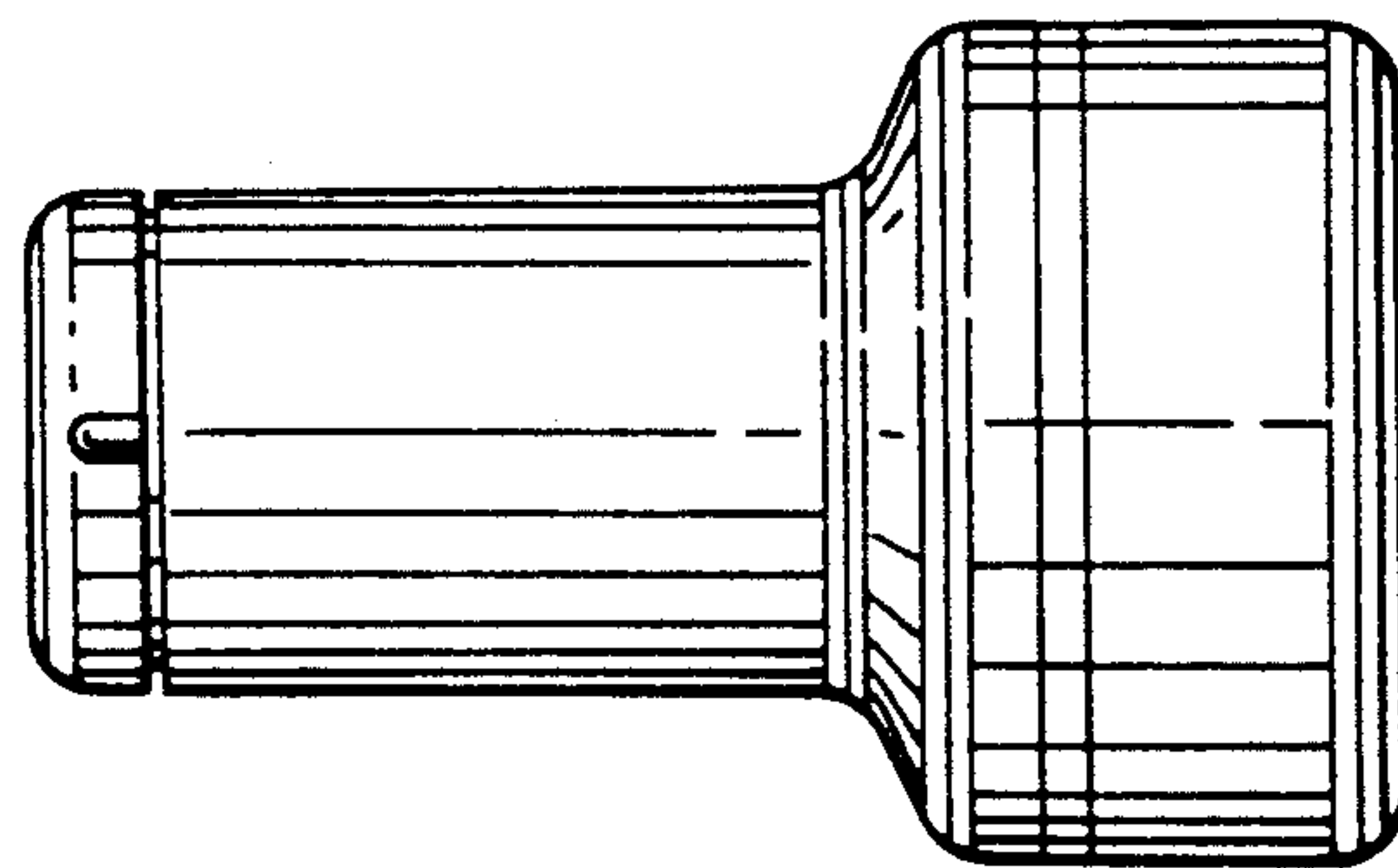
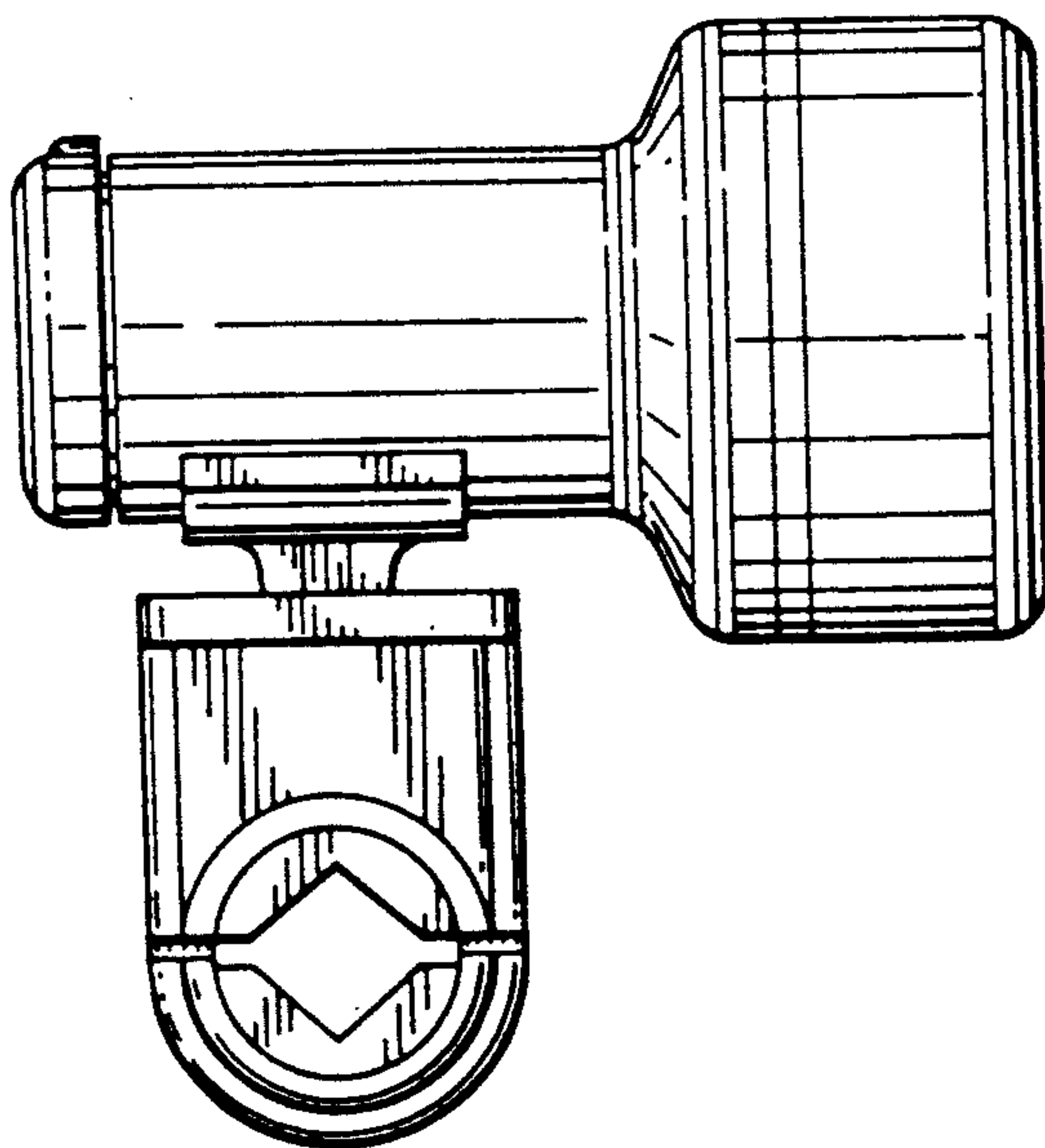
Primary Examiner—Susan J. Lucas
Attorney, Agent, or Firm—Fay, Sharpe, Beall, Fagan,
Minnich & McKee

[57] CLAIM

The ornamental design for weather resistant bicycle light, as shown and described.

DESCRIPTION

FIG. 1 is a front elevational view of a weather resistant bicycle light showing my new design;
FIG. 2 is a rear elevational view thereof;
FIG. 3 is a left side elevational view (the right side being a mirror image) thereof;
FIG. 4 is a top plan view thereof;
FIG. 5 is an underneath plan view thereof;
FIG. 6 is a left side elevational view thereof with the light and bracket separated for purposes of disclosure; and,
FIG. 7 is a rear elevational view (the right side being a mirror image) thereof with the light and bracket separated for purposes of disclosure.



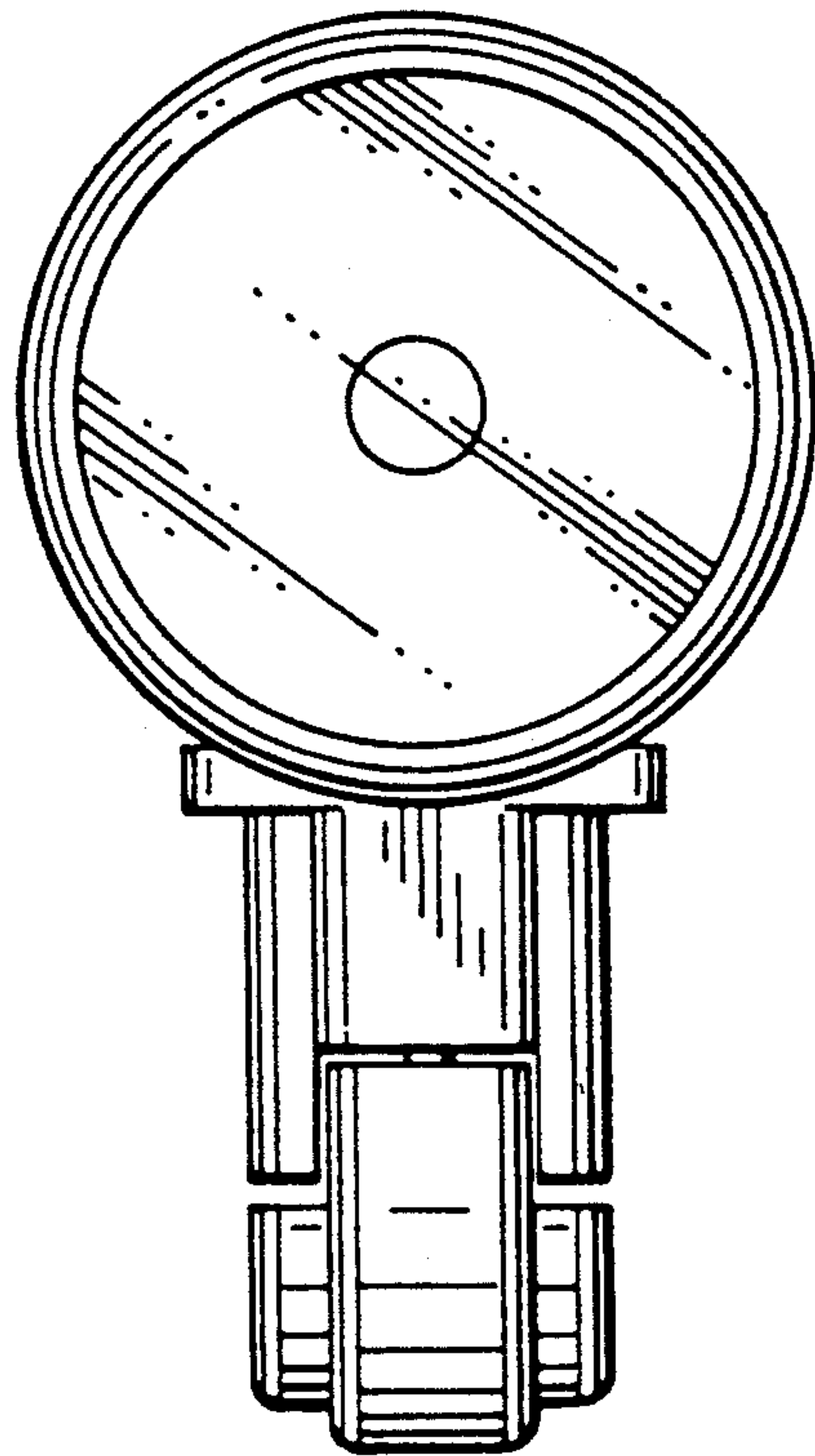


FIG.1.

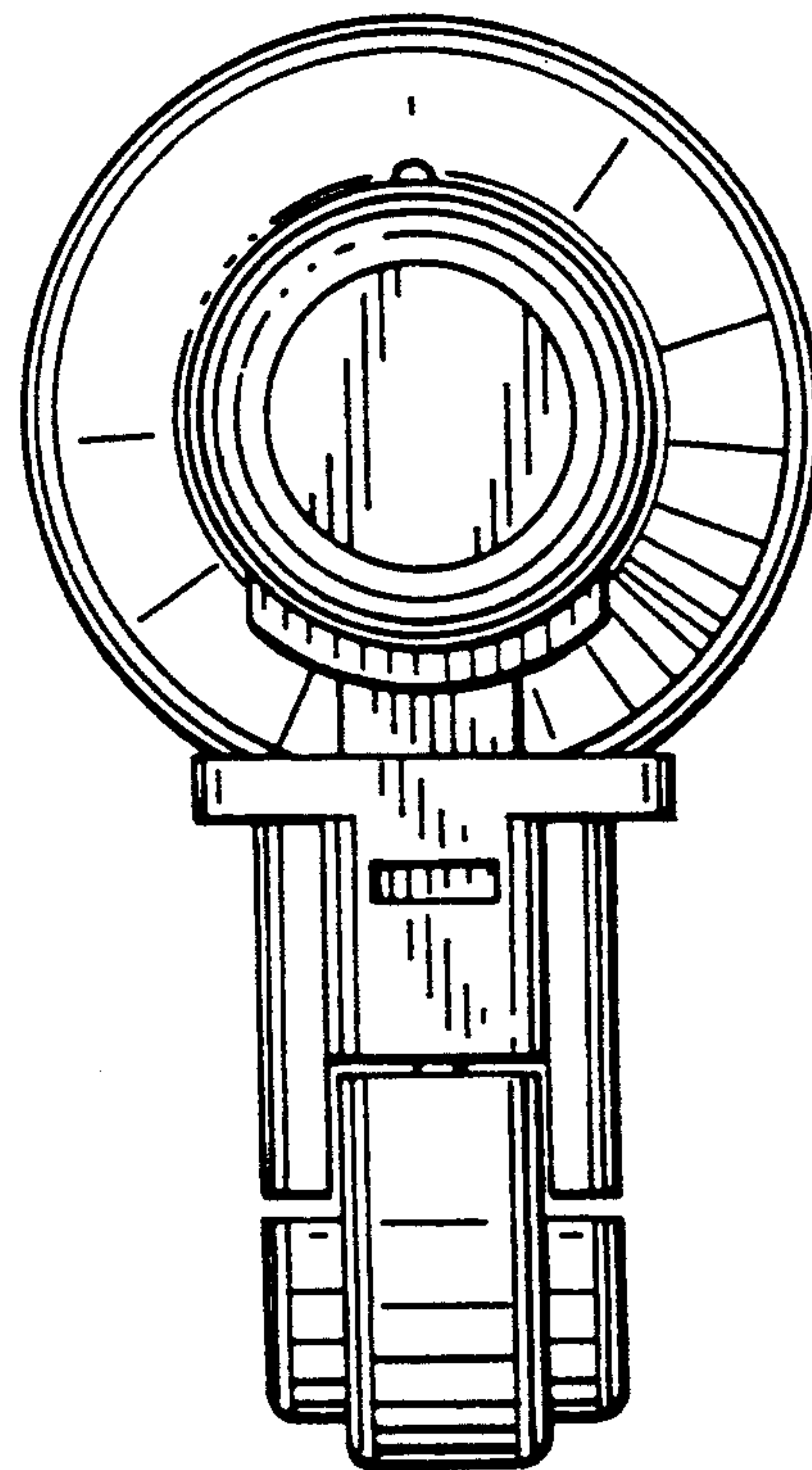


FIG.2.

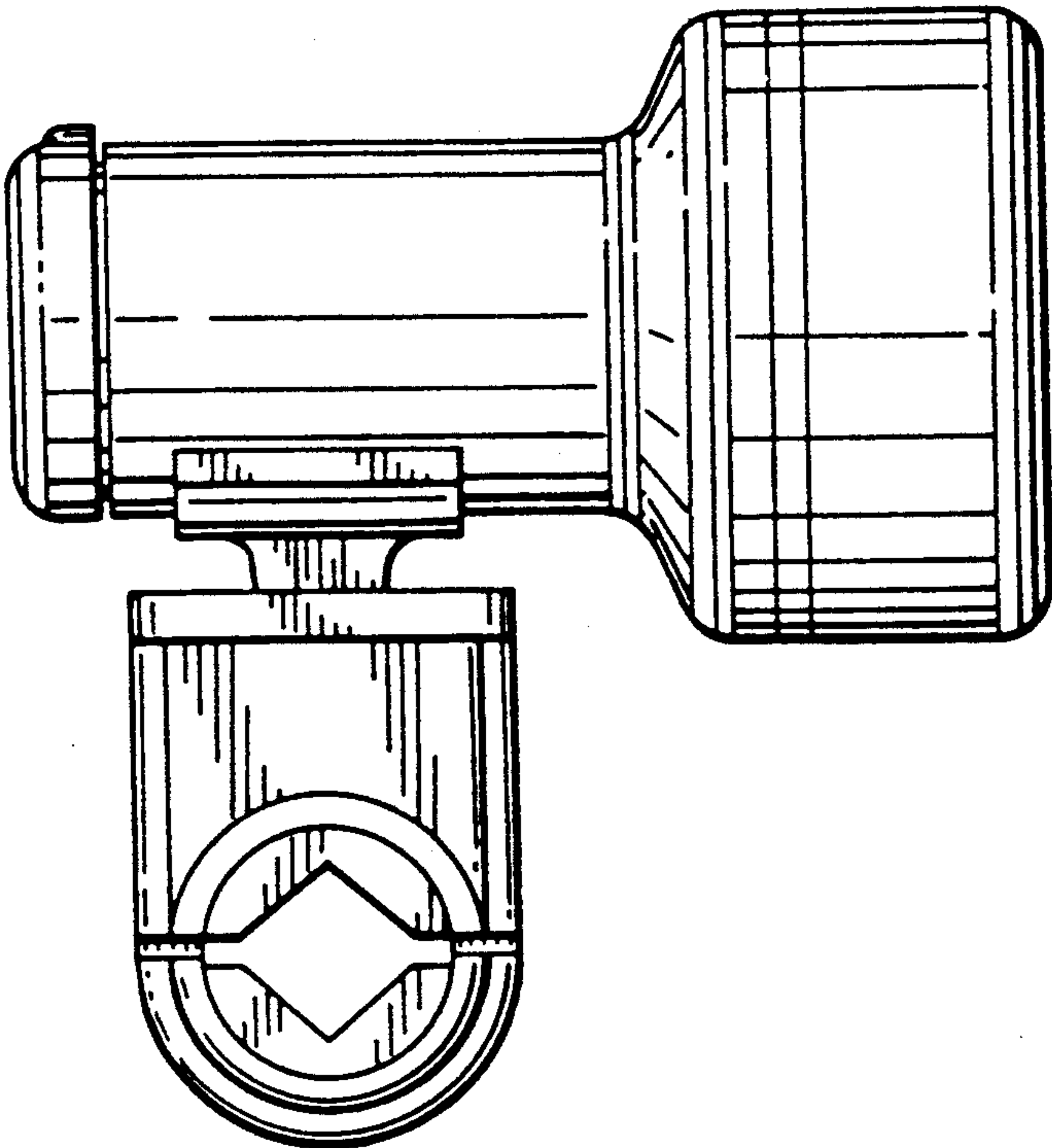


FIG. 3.

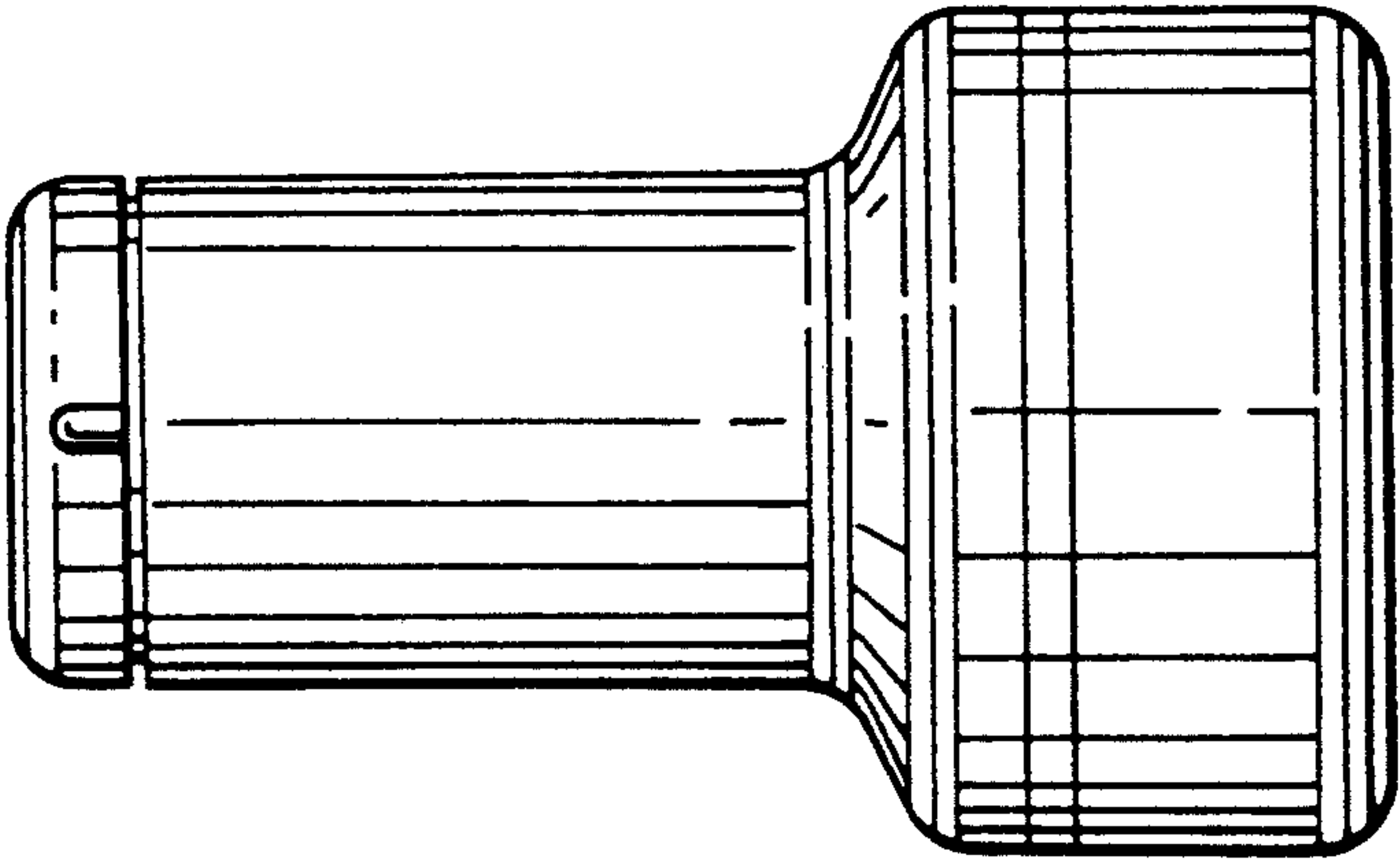


FIG. 4.

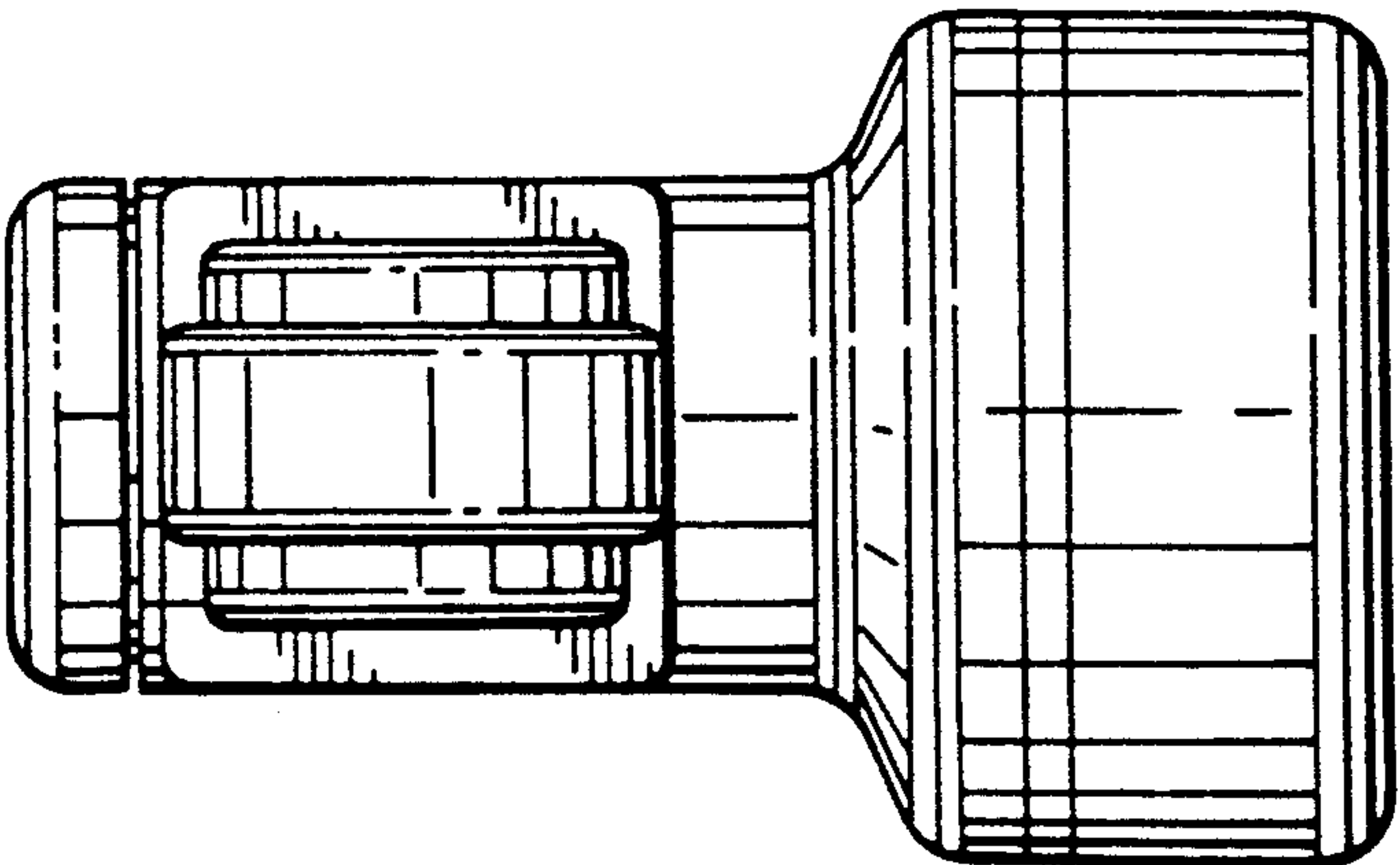


FIG. 5.

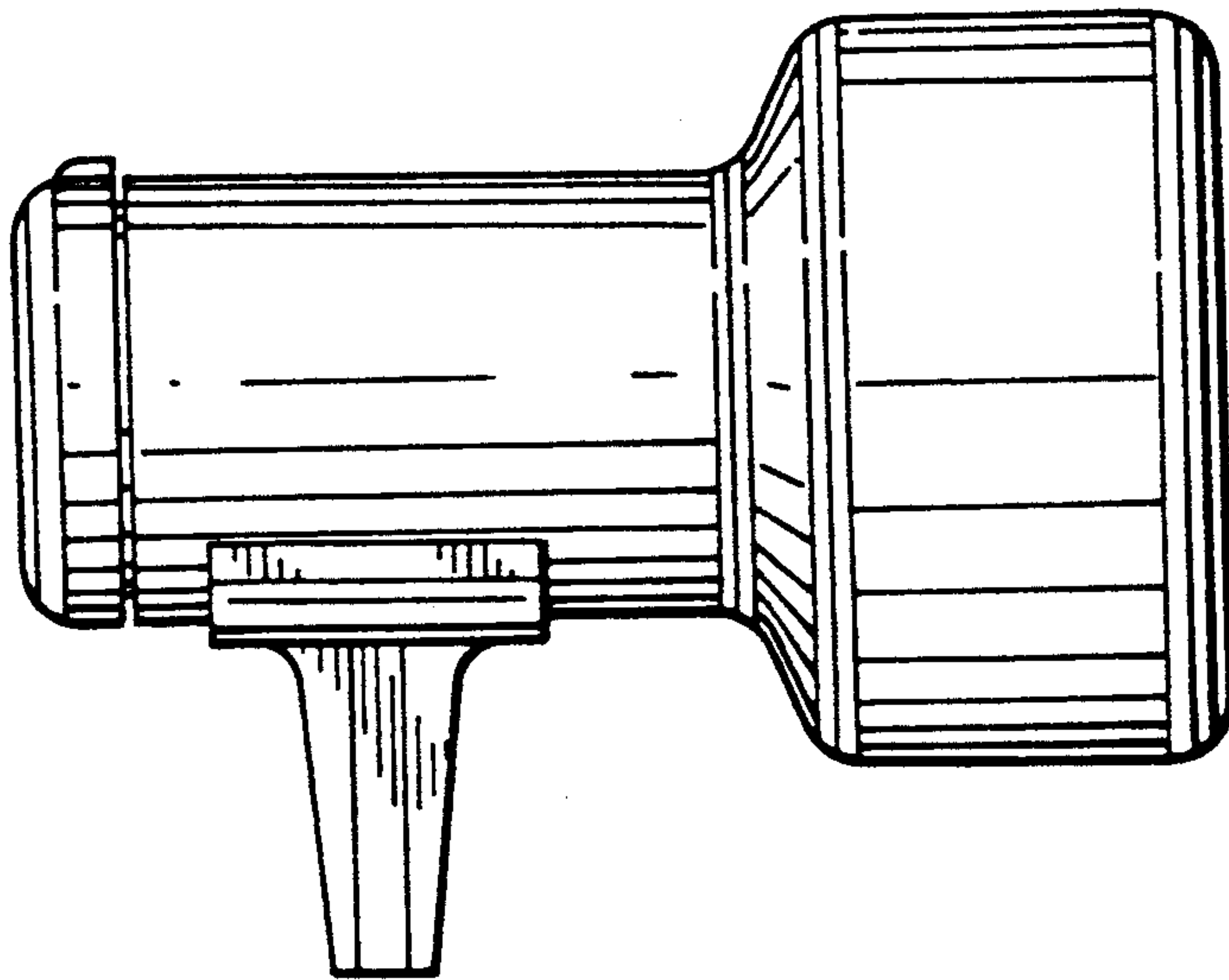


FIG. 6.

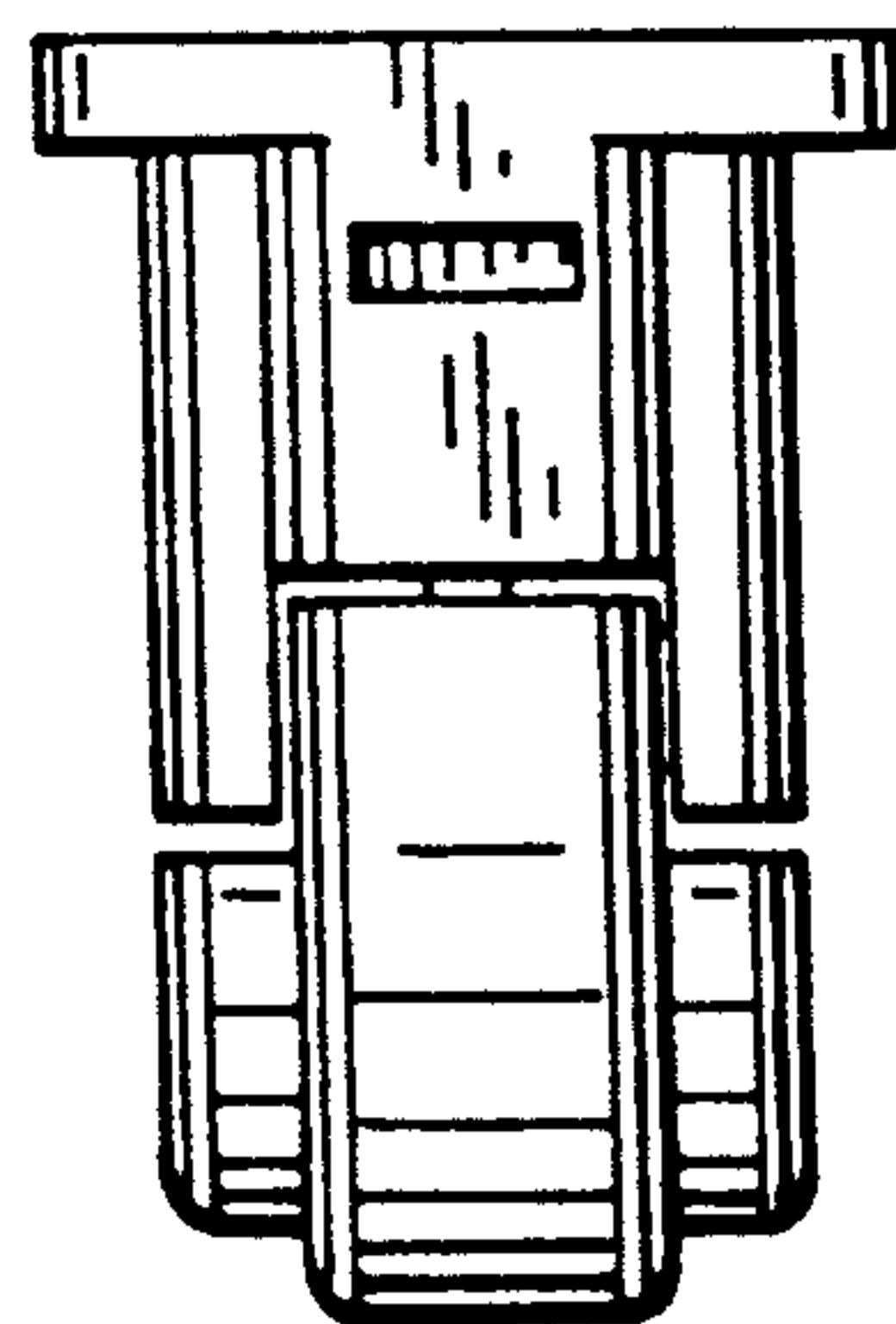
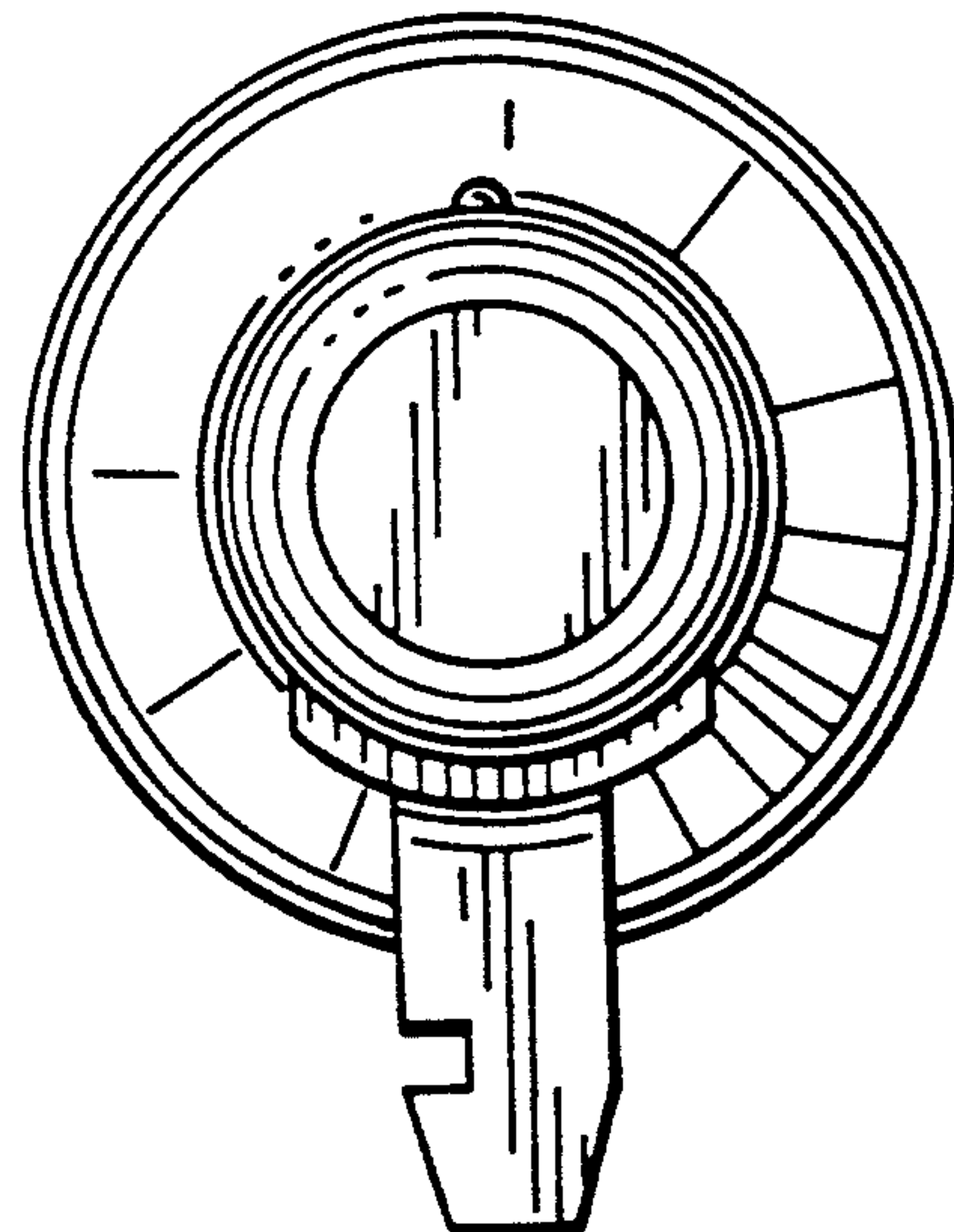
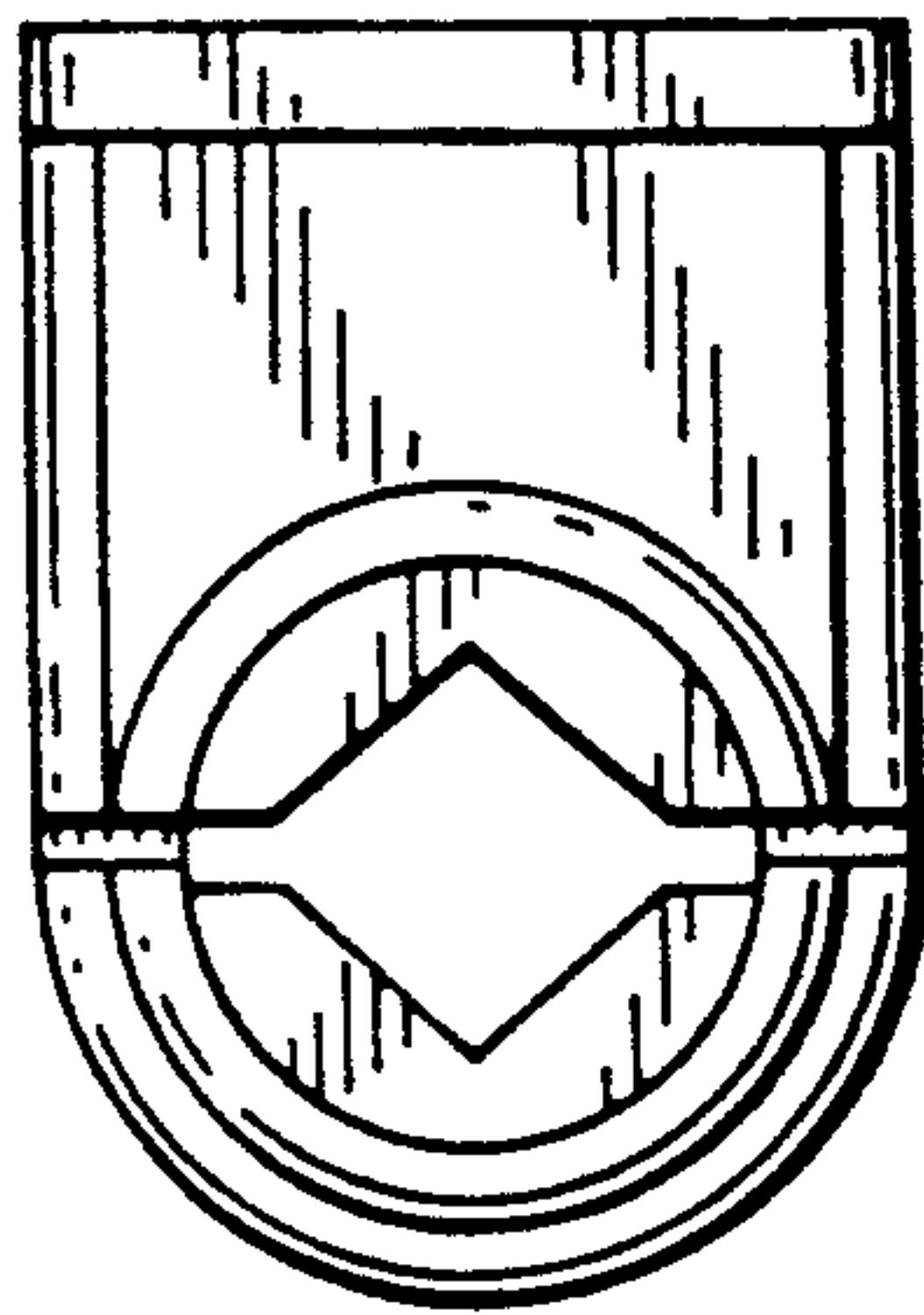


FIG. 7.