



US00D344129S

# United States Patent [19]

[11] Patent Number: **Des. 344,129**

Markwardt

[45] Date of Patent: **\*\* Feb. 8, 1994**

[54] **COMBINED ELECTRIC CEILING FAN AND LIGHT**

[75] Inventor: **Michael A. Markwardt**, Fort Worth, Tex.

[73] Assignee: **Econ Industries, Inc.**, Fort Worth, Tex.

[\*] Notice: The portion of the term of this patent subsequent to Mar. 9, 2007 has been disclaimed.

[\*\*] Term: **14 Years**

[21] Appl. No.: **936,536**

[22] Filed: **Aug. 28, 1992**

[52] U.S. Cl. .... **D23/377; D23/379; D23/385**

[58] Field of Search ..... **416/5; 362/96; 392/364; D23/370, 328, 377, 379, 385; D26/81-86, 88, 59, 72, 51**

[56] **References Cited**

**U.S. PATENT DOCUMENTS**

- D. 265,502 7/1982 Kearnes ..... 416/5
- D. 295,678 5/1988 McVey ..... D23/377
- D. 311,247 10/1990 Sonneman ..... D23/377
- D. 328,491 8/1992 Markwardt ..... D23/377
- D. 329,087 9/1992 Markwardt ..... D23/377
- D. 333,867 3/1993 Markwardt ..... D23/377

**OTHER PUBLICATIONS**

Homstead Ceiling Fans Cat., p. 6, Fans 1-4.

*Primary Examiner*—Susan J. Lucas

*Assistant Examiner*—Lisa Lichtenstein

*Attorney, Agent, or Firm*—Dougherty, Hessin, Beavers & Gilbert

[57] **CLAIM**

The ornamental design for an combined electric ceiling fan and light, as shown and described.

**DESCRIPTION**

FIG. 1 is a perspective view from one side and below the combined electric ceiling fan and light of the present invention, and incorporating my new design;

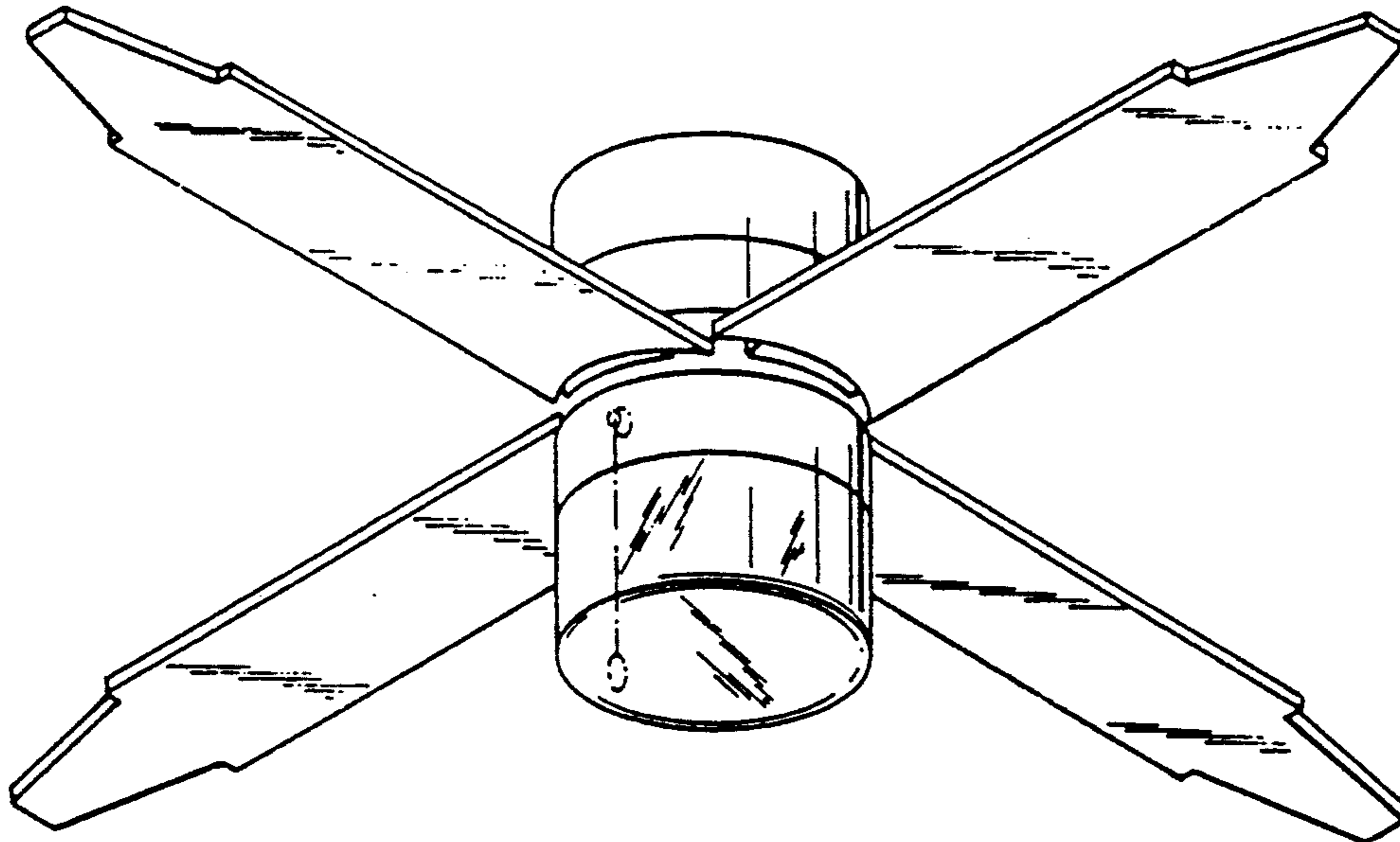
FIG. 2 is a side elevation view of the combined electric ceiling fan and light illustrated in FIG. 1;

FIG. 3 is a side elevation view similar to FIG. 2 but showing the appearance of the combined electric ceiling fan and light at the opposite side of the fan from that which is shown in FIG. 2;

FIG. 4 is a top plan view of the combined electric ceiling fan and light shown in FIGS. 1-3; and,

FIG. 5 is a bottom plan view of the combined electric ceiling fan and light illustrated in FIGS. 1-4.

The broken-line showing of environmental structure in FIGS. 1-3 and 5 is for illustrative purposes only and forms no part of the claimed design.



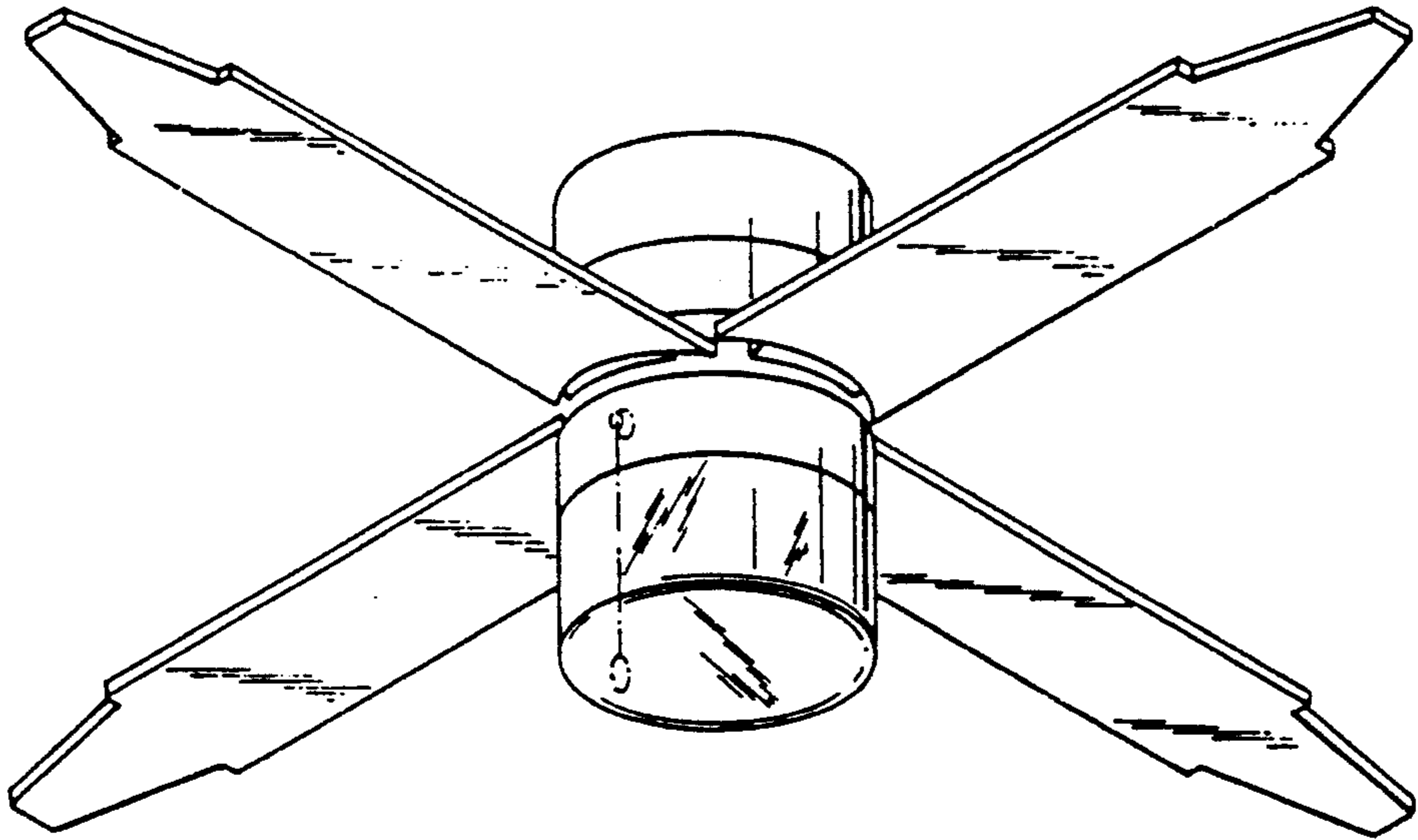


FIG. 1

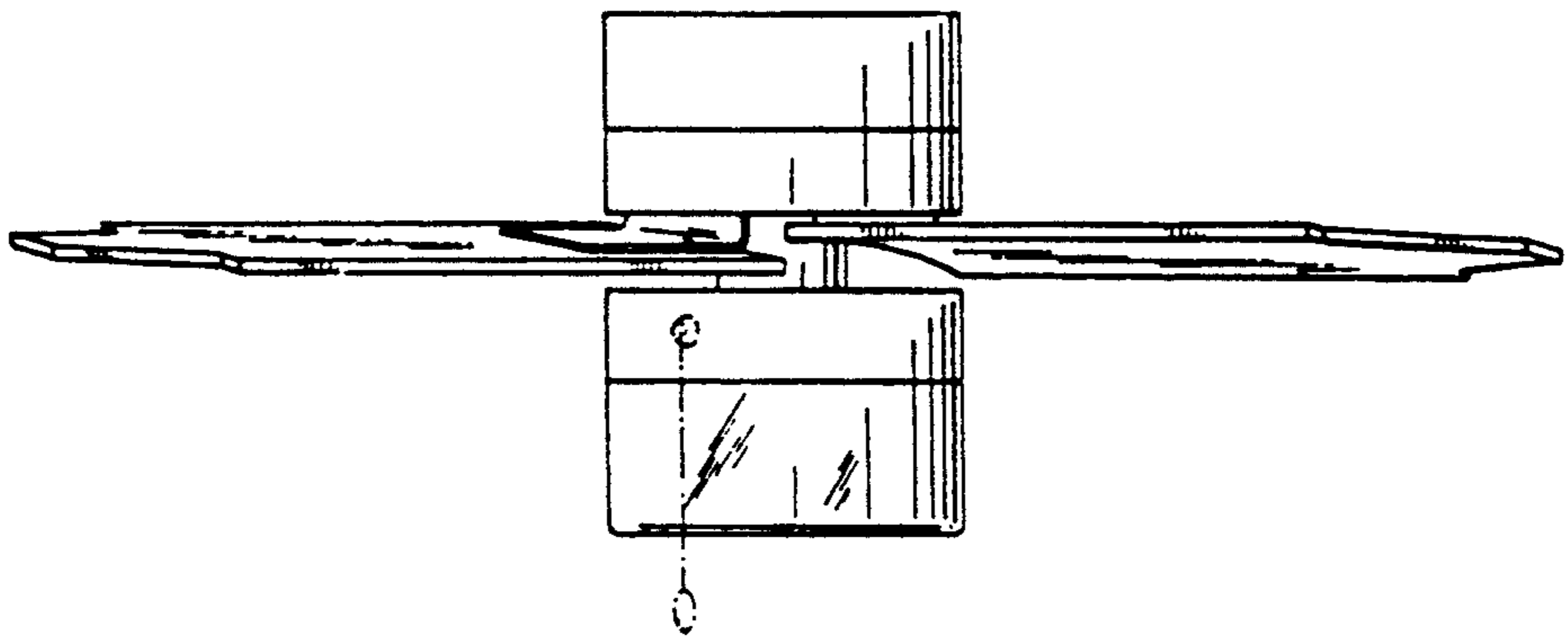


FIG. 2

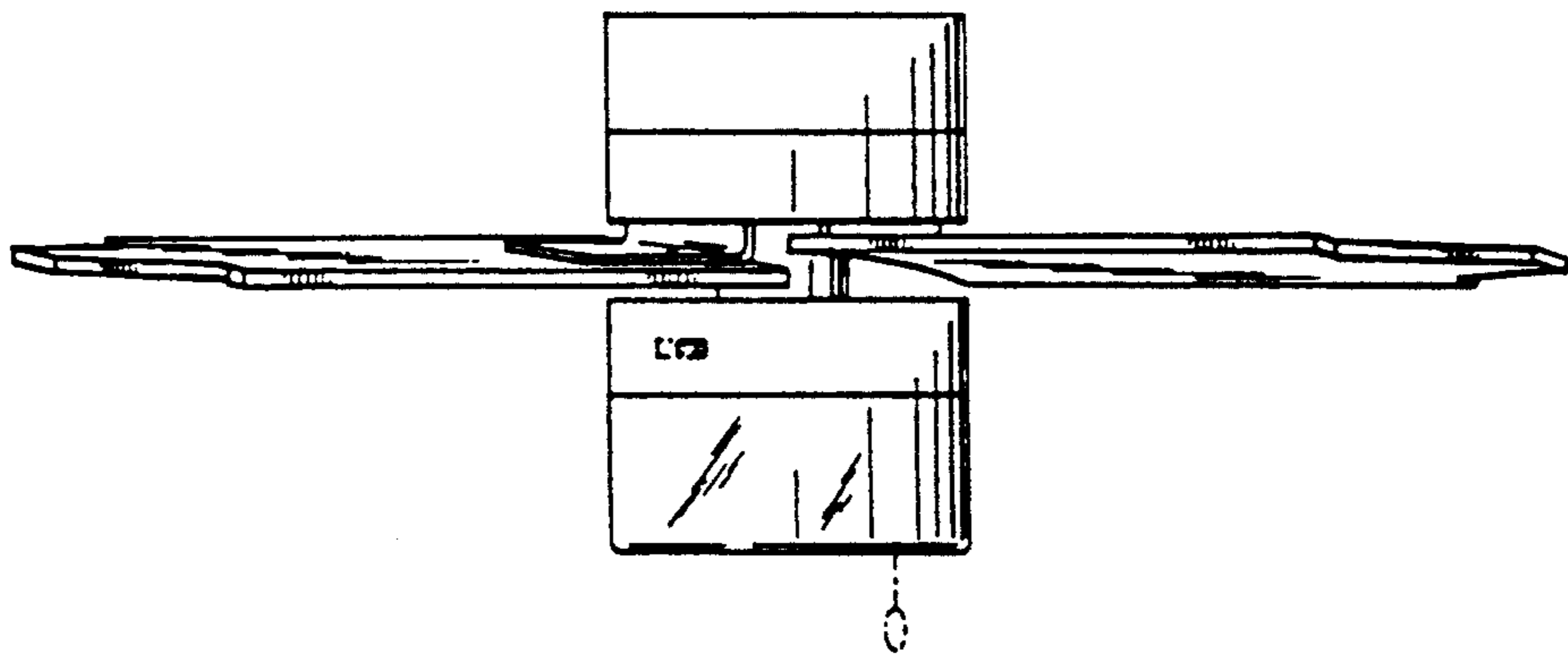


FIG. 3

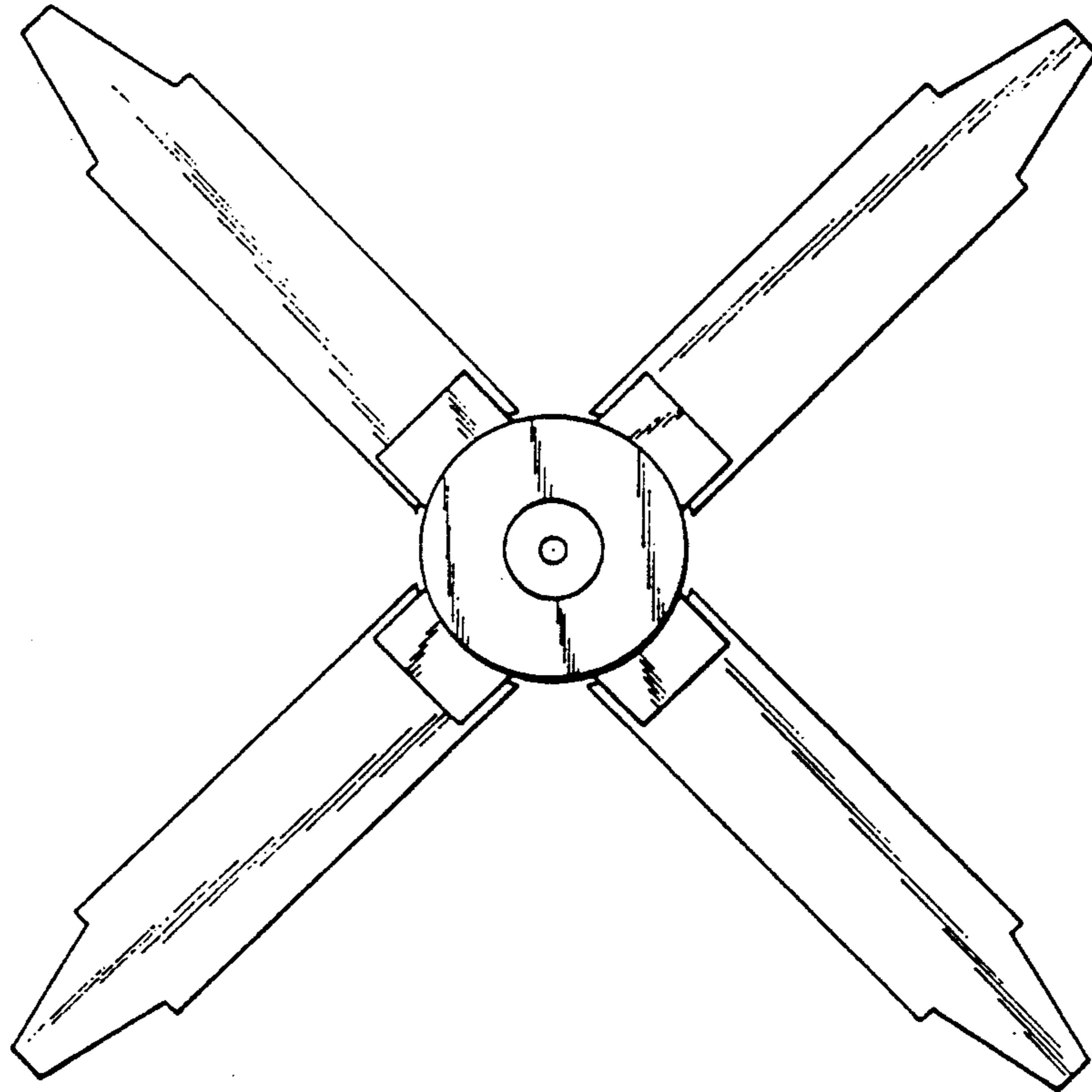


FIG. 4

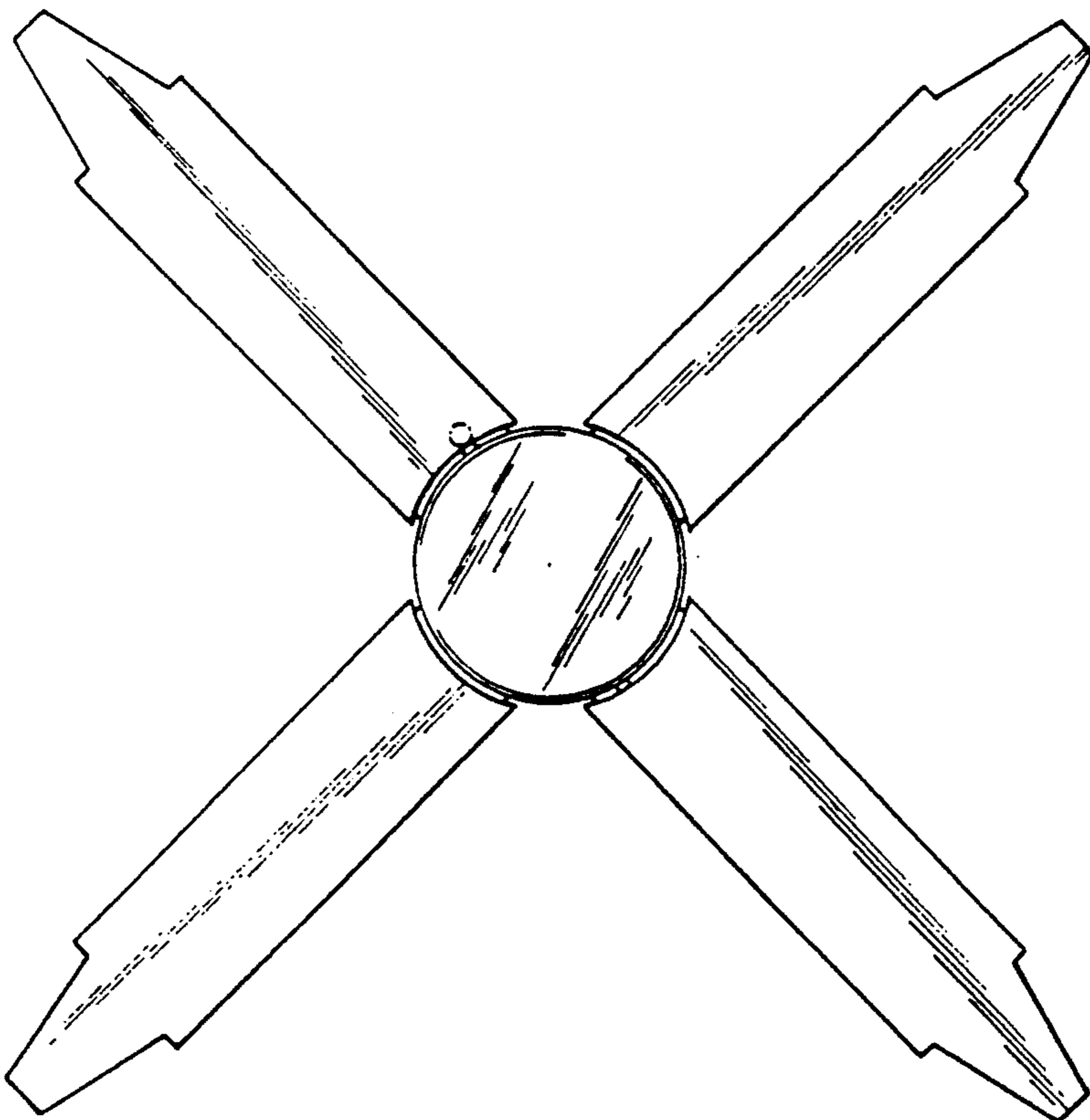


FIG. 5

UNITED STATES PATENT AND TRADEMARK OFFICE  
**CERTIFICATE OF CORRECTION**

PATENT NO. : Des. 344,129  
DATED : February 8, 1994  
INVENTOR(S) : Michael A. Markwardt

It is certified that error appears in the above-identified patent and that said Letters Patent is hereby corrected as shown below:

Title page, item [73], "Econ" should be --Encon--.

Signed and Sealed this  
Twenty-first Day of June, 1994

Attest:



BRUCE LEHMAN

Attesting Officer

Commissioner of Patents and Trademarks