



US00D344128S

# United States Patent [19]

[11] Patent Number: **Des. 344,128**

Gottwald

[45] Date of Patent: **\*\* Feb. 8, 1994**

[54] **COMBINED CONTROL HANDLE AND ESCUTCHEON**

[75] Inventor: **Adolf Gottwald**, Iserlohn, Fed. Rep. of Germany

[73] Assignee: **Friedrich Grohe Aktiengesellschaft**, Hemer, Fed. Rep. of Germany

[\*] Notice: The portion of the term of this patent subsequent to Nov. 3, 2006 has been disclaimed.

[\*\*] Term: **14 Years**

[21] Appl. No.: **717,108**

[22] Filed: **Jun. 18, 1991**

[30] **Foreign Application Priority Data**

Dec. 21, 1990 [DE] Fed. Rep. of Germany ... M 9008428

[52] U.S. Cl. .... **D23/254**

[58] Field of Search ..... D8/300, 307-312; 4/676, 677-678; 16/110, 118, 119, 121-125; D23/238-243, 250-254

[56] **References Cited**

**U.S. PATENT DOCUMENTS**

- D. 195,479 6/1963 Denker ..... D8/310
- D. 197,911 4/1967 Clayton ..... D8/310 X

- D. 241,470 9/1976 Domey ..... D23/252
- D. 263,989 4/1982 Fleischmann ..... D23/252
- D. 266,348 9/1982 Piesco ..... D23/252
- D. 268,513 4/1983 Thompson ..... D8/312 X
- D. 285,107 8/1986 Ogilive ..... D23/254
- D. 285,108 8/1986 Ogilive ..... D23/254
- D. 285,245 8/1986 Ogilive ..... D23/254
- D. 291,233 8/1987 Jans ..... D23/242
- D. 294,631 3/1988 Bourbon ..... D23/241
- D. 330,754 11/1992 Gottwald ..... D23/254
- D. 331,099 11/1992 Gottwald ..... D23/254

*Primary Examiner*—James R. Largen  
*Attorney, Agent, or Firm*—Herbert Dubno; Ronald Lianides

[57] **CLAIM**

The ornamental design for a combined control handle and escutcheon, as shown.

**DESCRIPTION**

FIG. 1 is a front perspective view of a combined control handle and escutcheon showing my new design; FIG. 2 is a front elevational view thereof; FIG. 3 is a bottom plan view thereof; FIG. 4 is a top plan view thereof; FIG. 5 is a rear elevational view thereof; FIG. 6 is a left-side elevational view thereof; and, FIG. 7 is a right-side elevational view thereof.

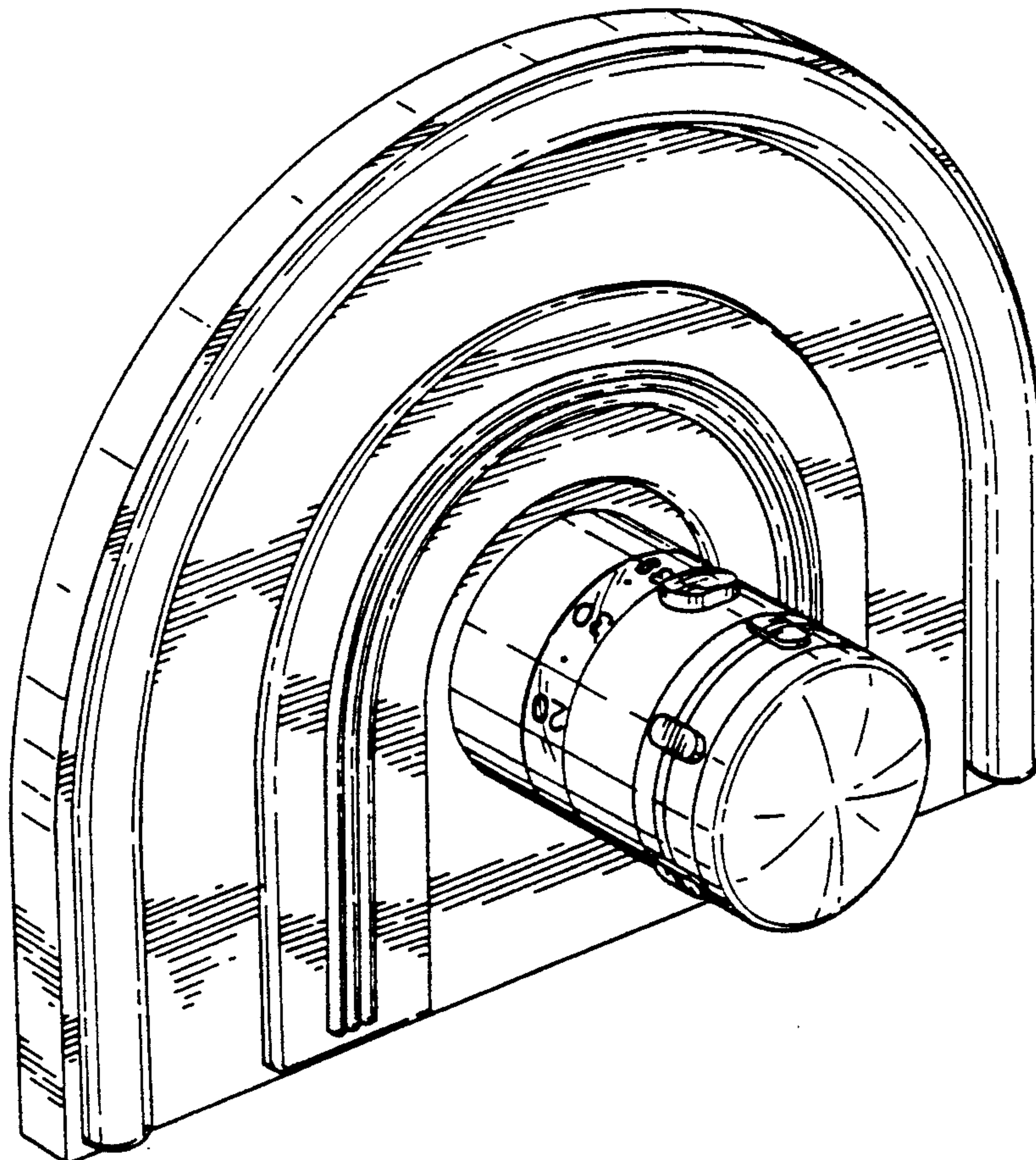


FIG. 1

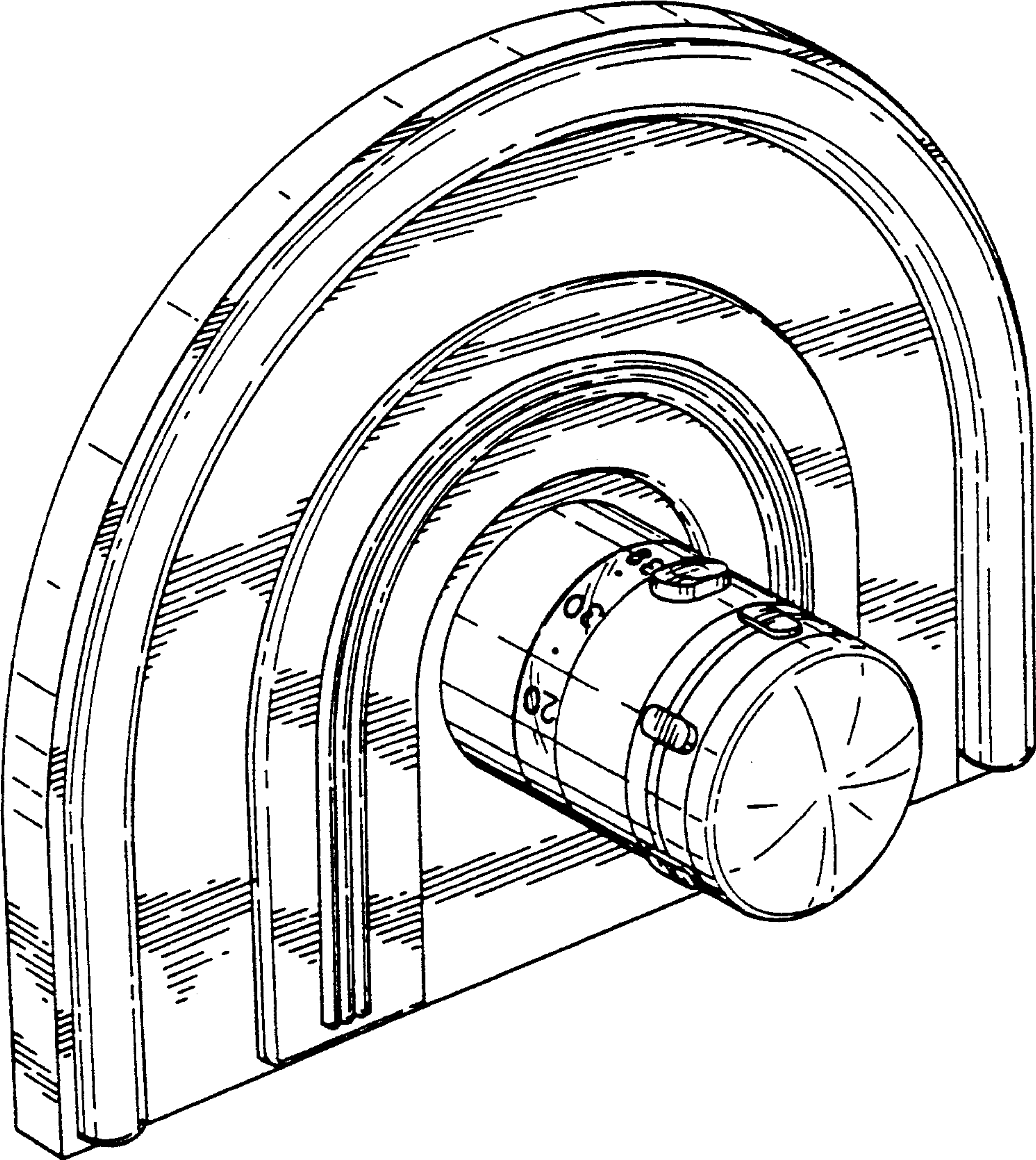




FIG. 2

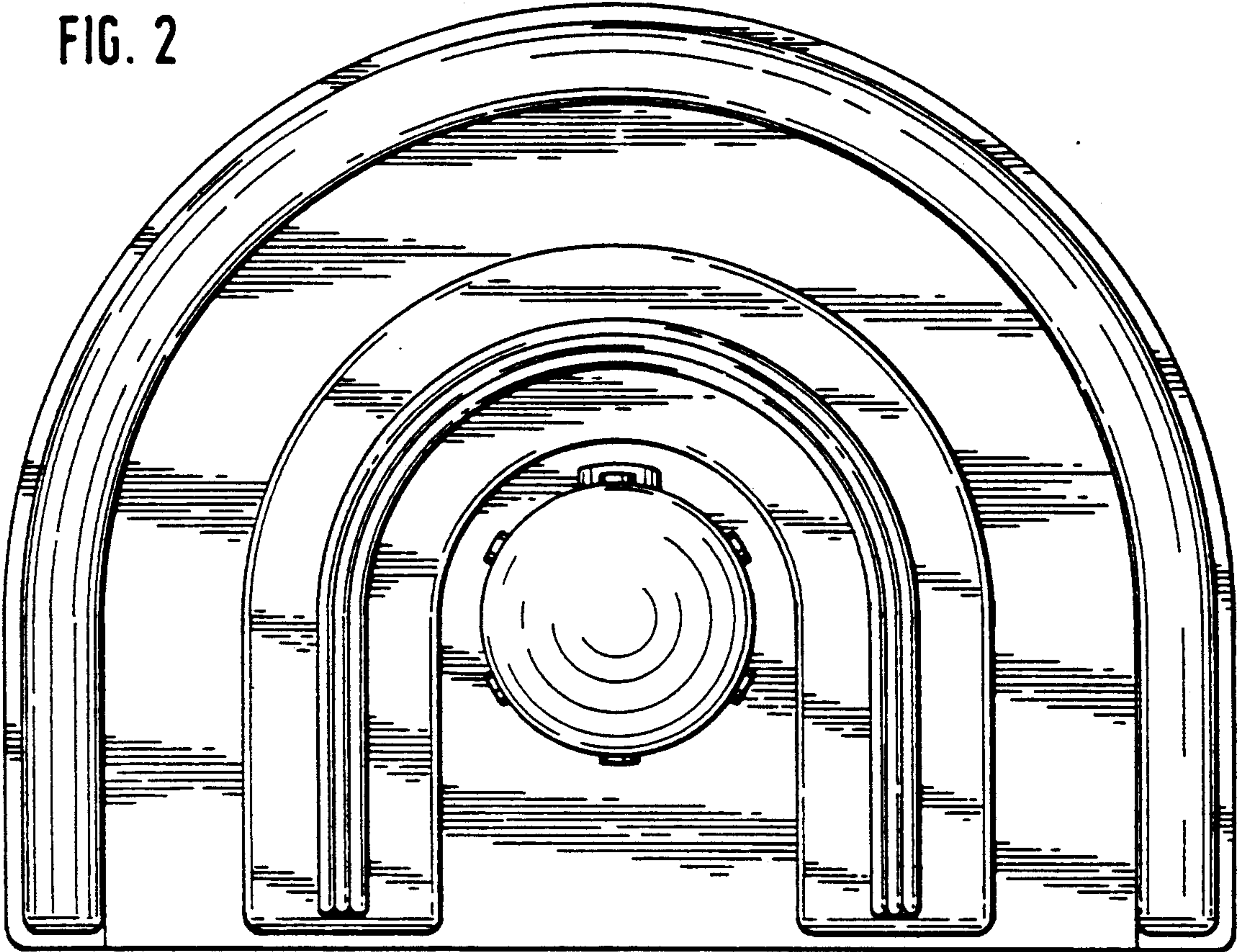


FIG. 3

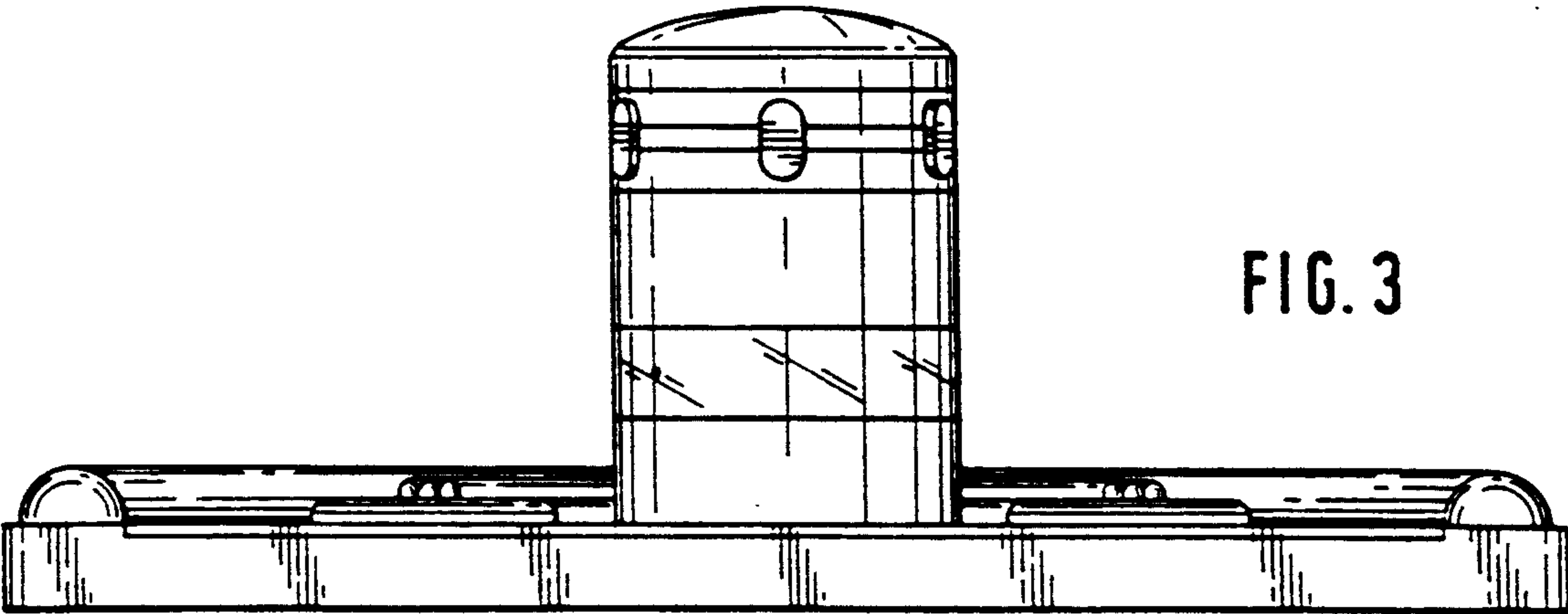


FIG. 4

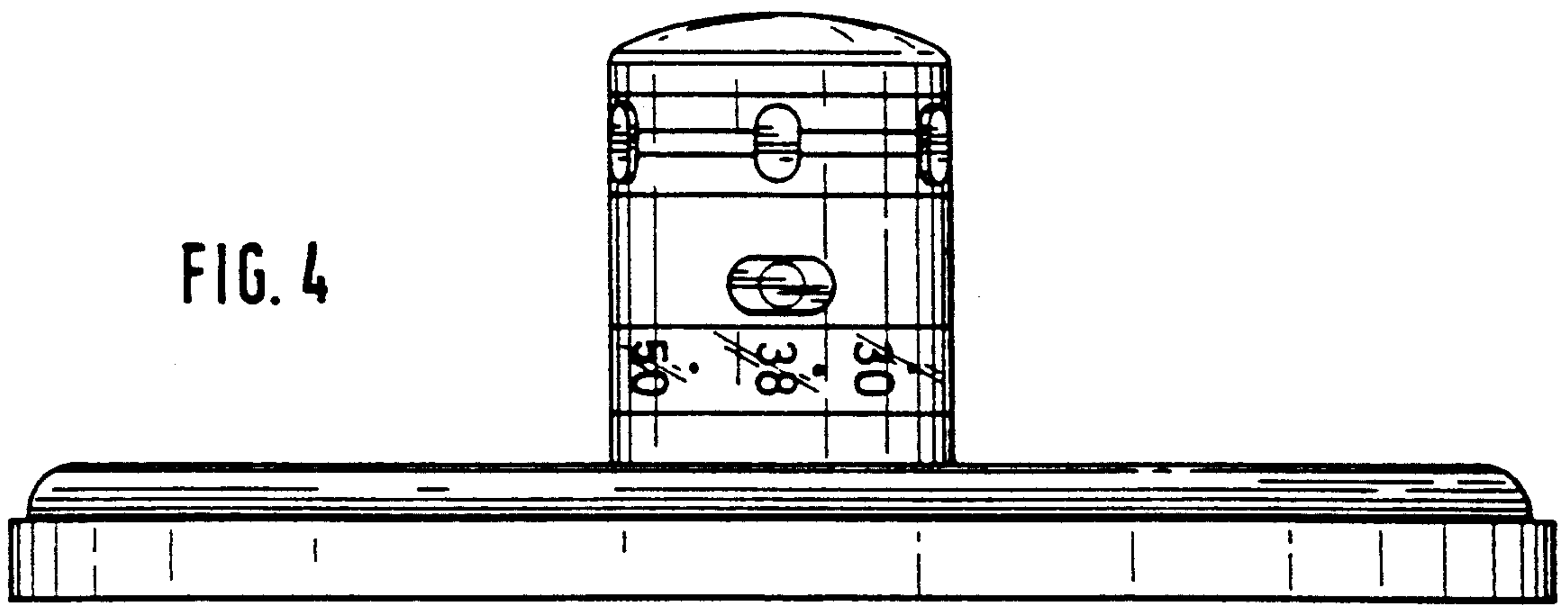
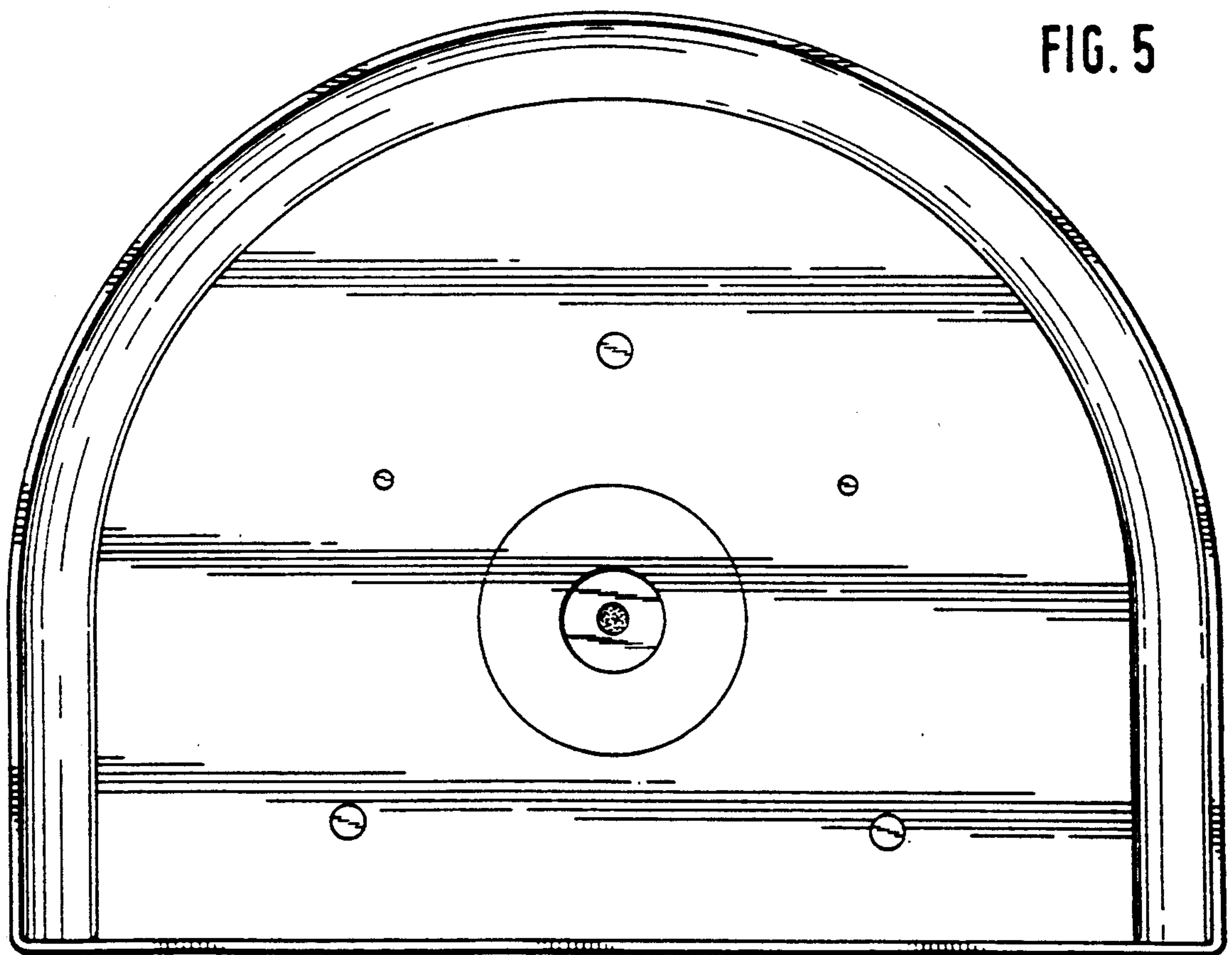


FIG. 5



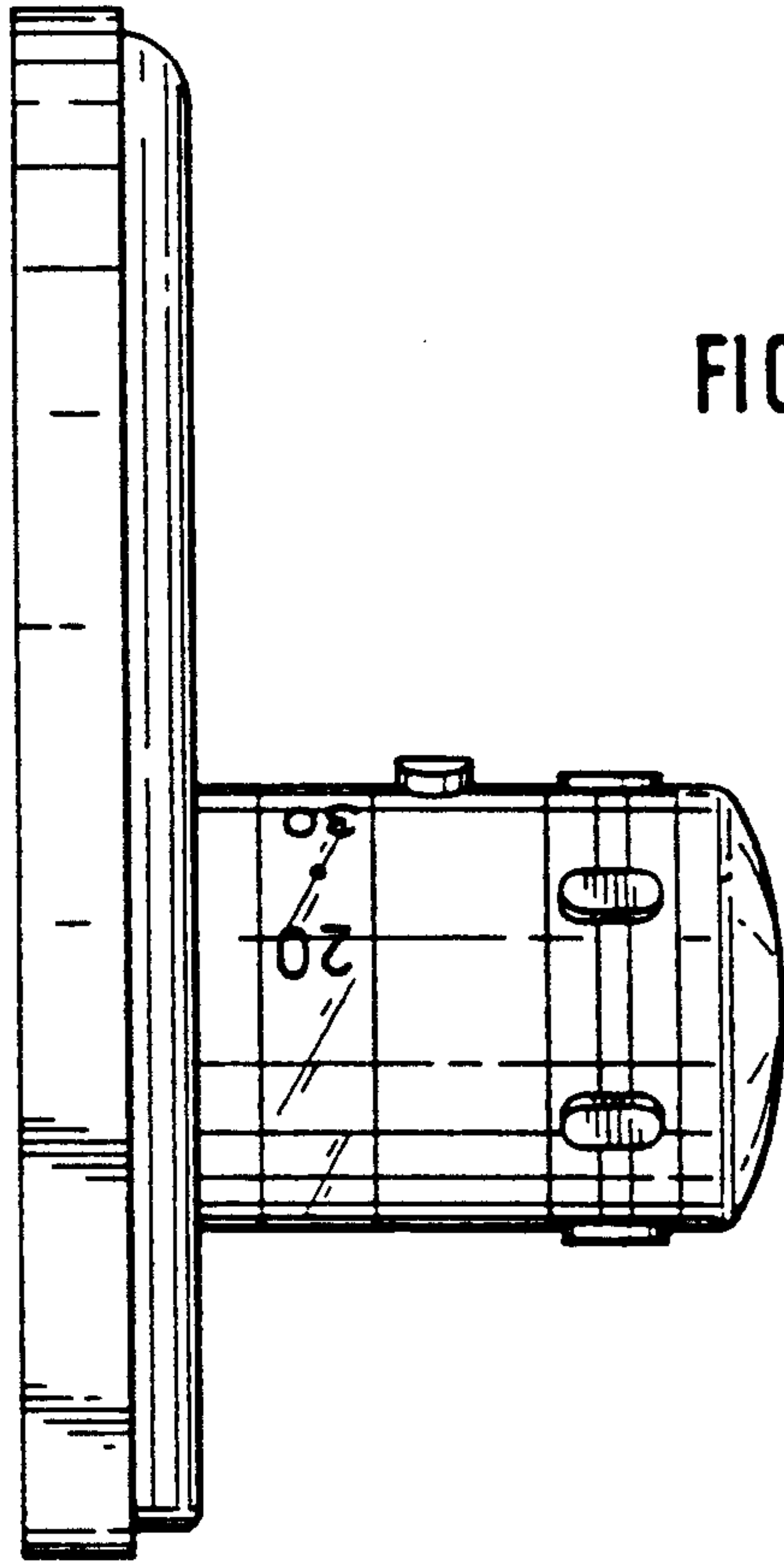


FIG. 6

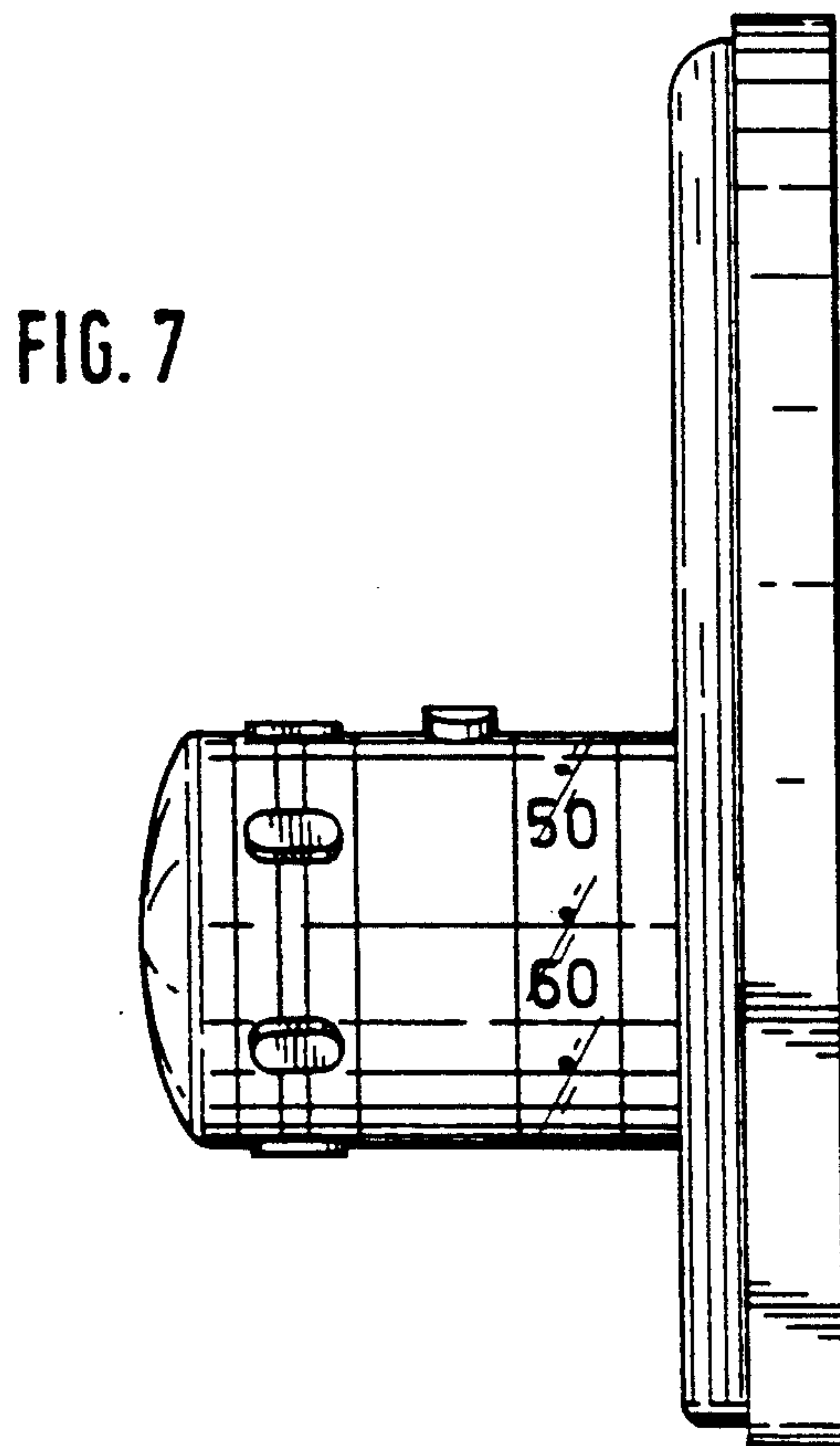


FIG. 7