



US00D344127S

United States Patent [19]

[11] Patent Number: **Des. 344,127**

Carr et al.

[45] Date of Patent: **** Feb. 8, 1994**

[54] FAUCET

[75] Inventors: **Kevin R. Carr**, Elyria; **William R. Markowitz**, Cleveland; **Kevin W. Rosenbaum**, Parma, all of Ohio

[73] Assignee: **Moen Incorporated**, Elyria, Ohio

[**] Term: **14 Years**

[21] Appl. No.: **823,547**

[22] Filed: **Jan. 21, 1992**

[52] U.S. Cl. **D23/238**

[58] Field of Search **4/675-678; 137/801; D23/238-243, 250-257**

D. 309,655	7/1990	Reinecke	D23/238
D. 313,837	1/1991	Heieck	D23/241
D. 324,095	2/1992	Grohe	D23/238
D. 324,904	3/1992	Haug et al.	D23/238
D. 324,905	3/1992	Chretin	D23/238
4,827,538	5/1989	Heimann et al.	4/677

Primary Examiner—James R. Largen
Attorney, Agent, or Firm—Kinzer, Plyer, Dorn, McEachran & Jambor

[57] CLAIM

The ornamental design for a faucet, as shown and described.

DESCRIPTION

FIG. 1 is a perspective view taken from the top, front and left side of a faucet showing my new design; FIG. 2 is a left side elevational view thereof, the right side being a mirror image of the left side; FIG. 3 is a top plan view thereof; FIG. 4 is a front elevational view thereof; FIG. 5 is a rear elevational view thereof; and, FIG. 6 is a bottom plan view thereof.

[56] References Cited

U.S. PATENT DOCUMENTS

D. 253,607	12/1979	Haug	D23/238
D. 290,492	6/1987	Hill et al.	D23/238
D. 291,232	8/1987	Haug et al.	D23/238
D. 291,234	8/1987	Bergmann et al.	D23/238
D. 301,162	5/1989	Oberdorfer	D23/238

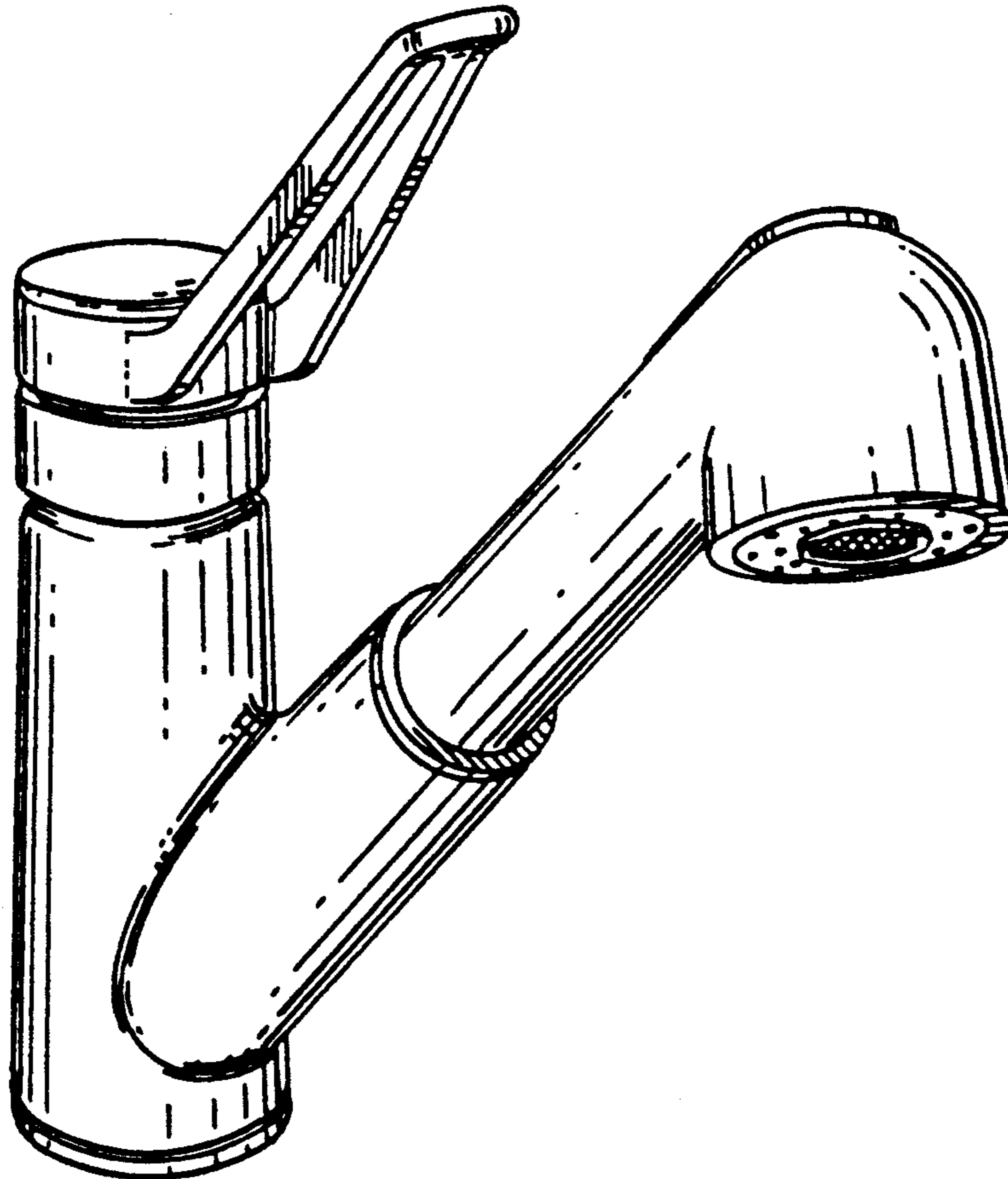


FIG. 1.

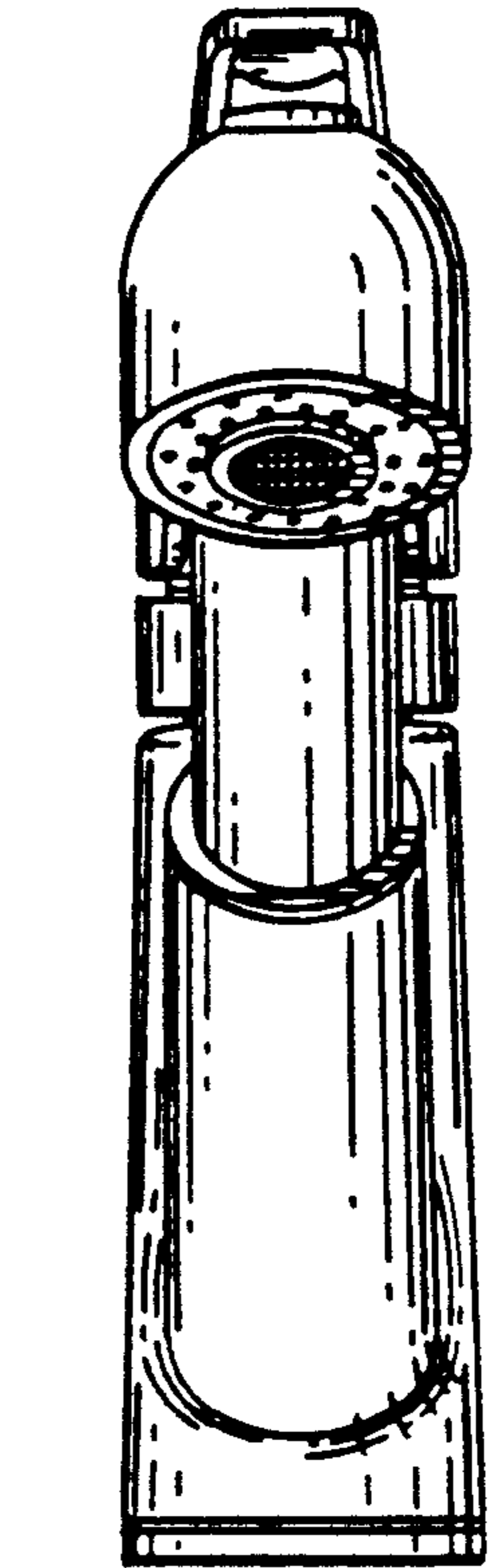
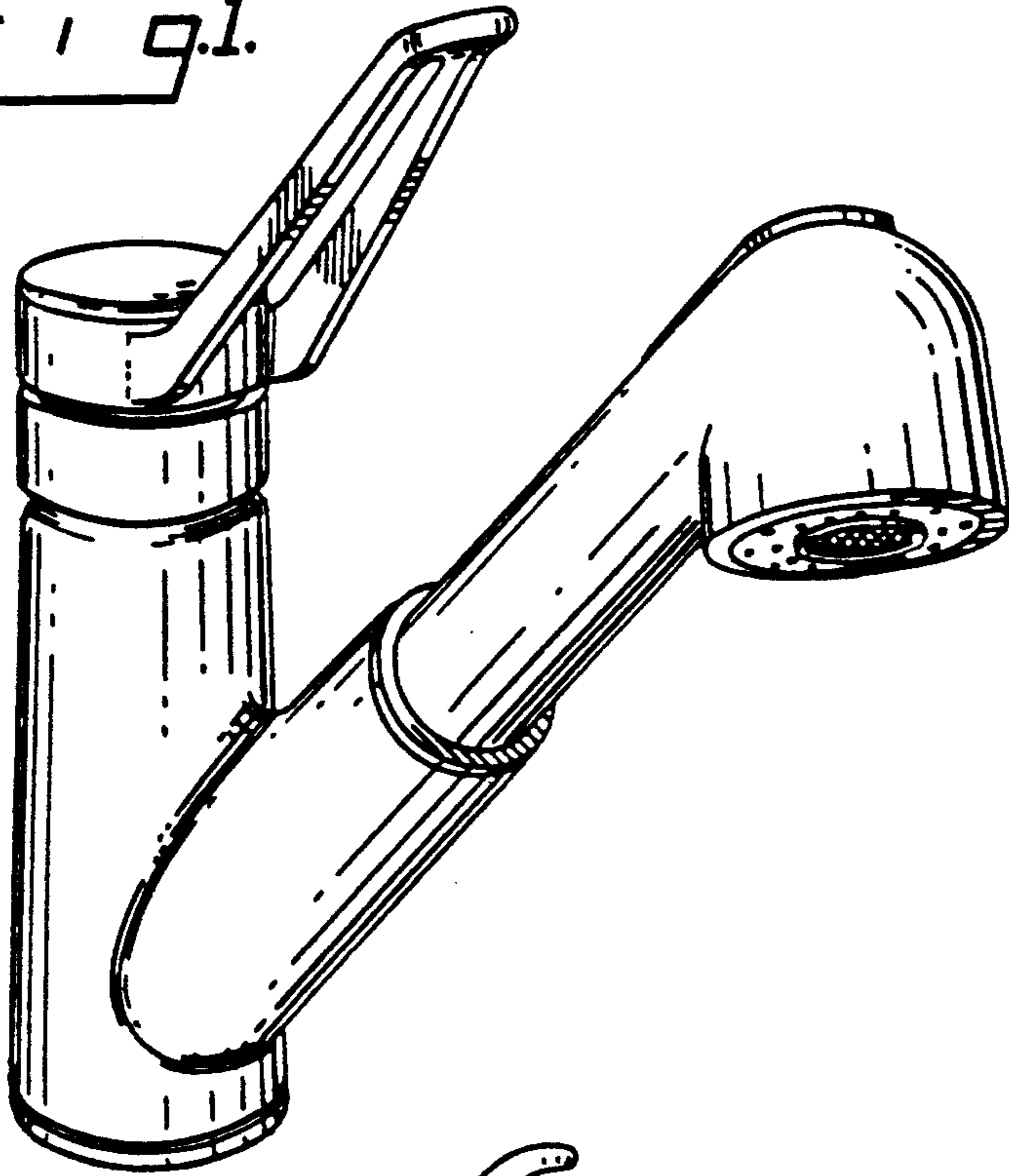


FIG. 4.

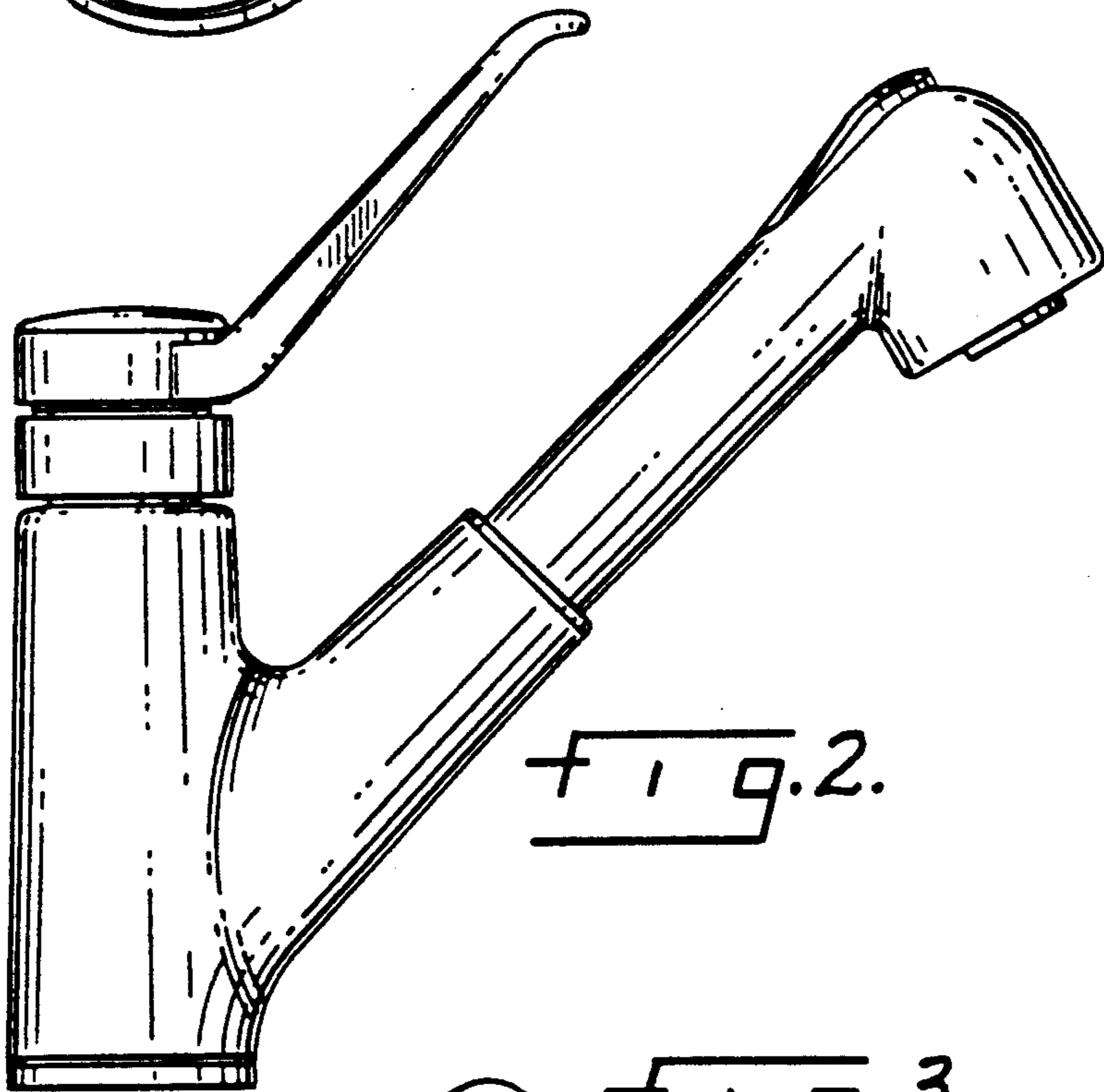


FIG. 2.

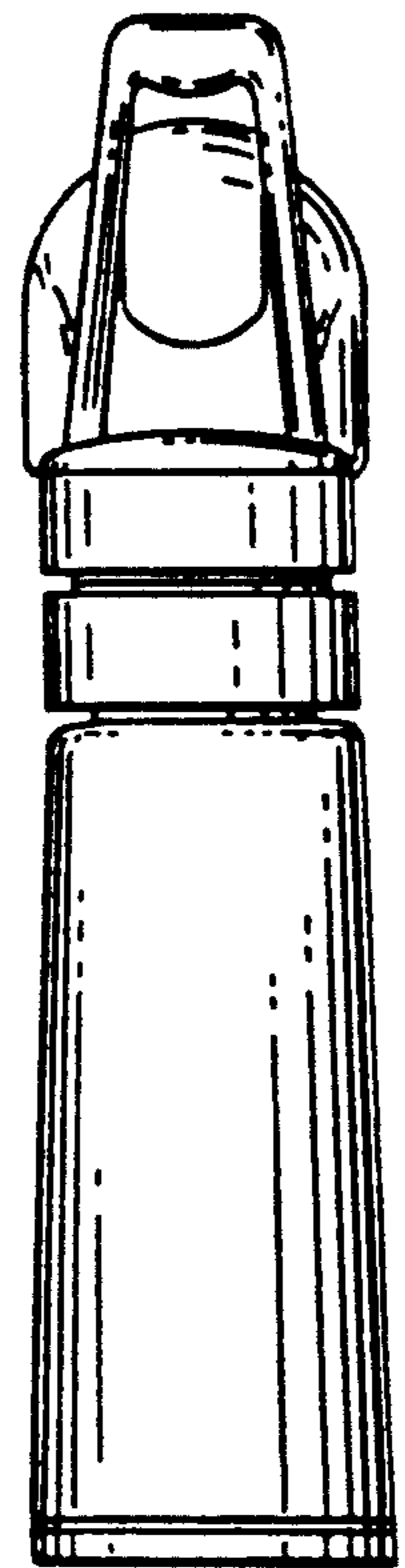


FIG. 5.

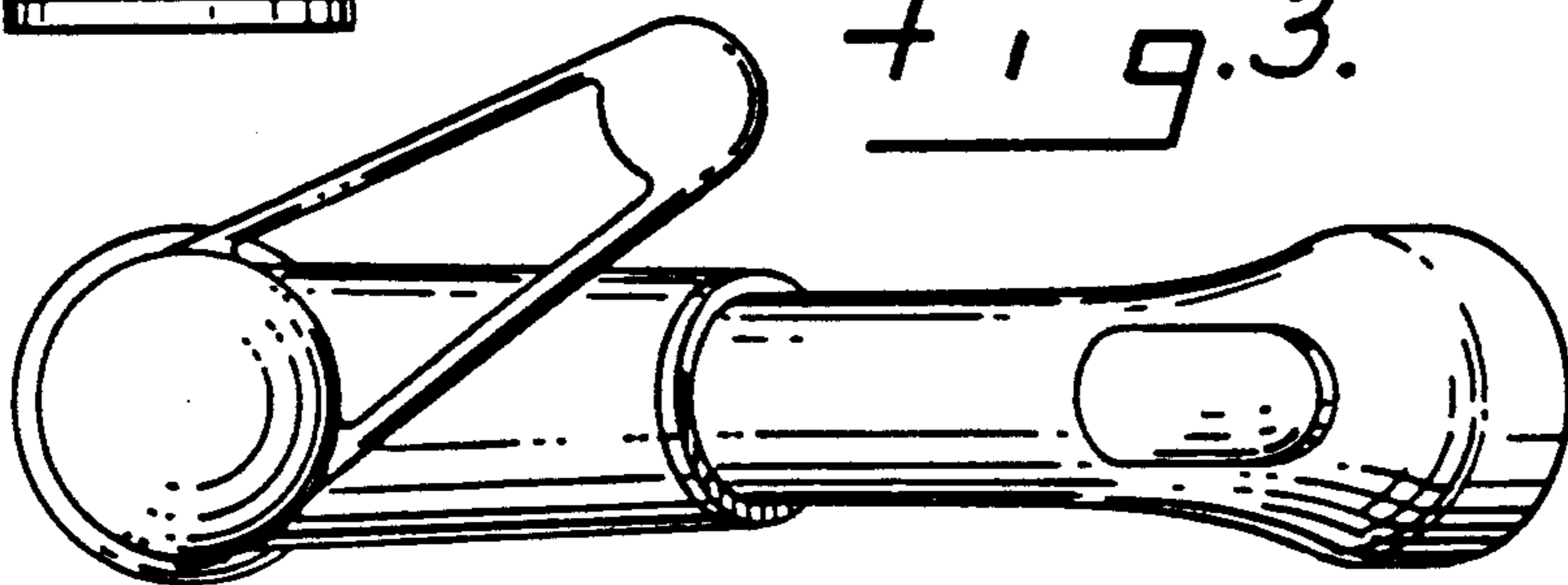


FIG. 3.

FIG. 6.

