



US00D344125S

United States Patent [19]

Strayer et al.

[11] Patent Number: **Des. 344,125**

[45] Date of Patent: **** Feb. 8, 1994**

[54] GRIPLESS FRAME FOR A HANDGUN

[76] Inventors: **Sandy L. Strayer**, 305 Hickok, Round Rock, Tex. 78681; **Virgil P. Tripp**, 8907 Sparkling Creek Cir., Austin, Tex. 78729

[**] Term: **14 Years**

[21] Appl. No.: **943,609**

[22] Filed: **Sep. 9, 1992**

Related U.S. Application Data

[63] Continuation-in-part of Ser. No. 844,417, Mar. 2, 1992.
[52] U.S. Cl. **D22/108**
[58] Field of Search 42/59, 78-79, 42/75.02, 75.03; D22/108, 104

[56] **References Cited**

U.S. PATENT DOCUMENTS

D. 118,863 2/1940 Massberg 42/49.01
4,590,698 5/1986 Finn 42/78
4,999,939 3/1991 Reese et al. 42/75.03

Primary Examiner—A. Hugo Word
Assistant Examiner—R. Seifert
Attorney, Agent, or Firm—James L. Jackson

[57] **CLAIM**

The ornamental design for a gripless frame for a handgun, as shown and described.

DESCRIPTION

FIG. 1 is a front view of a frame for a gripless frame for a handgun showing our new design; FIG. 2 is a side elevational view thereof; FIG. 3 is an opposite side elevational view thereof; FIG. 4 is a rear elevational view thereof; FIG. 5 is a plan view thereof; and, FIG. 6 is a bottom plan view thereof.

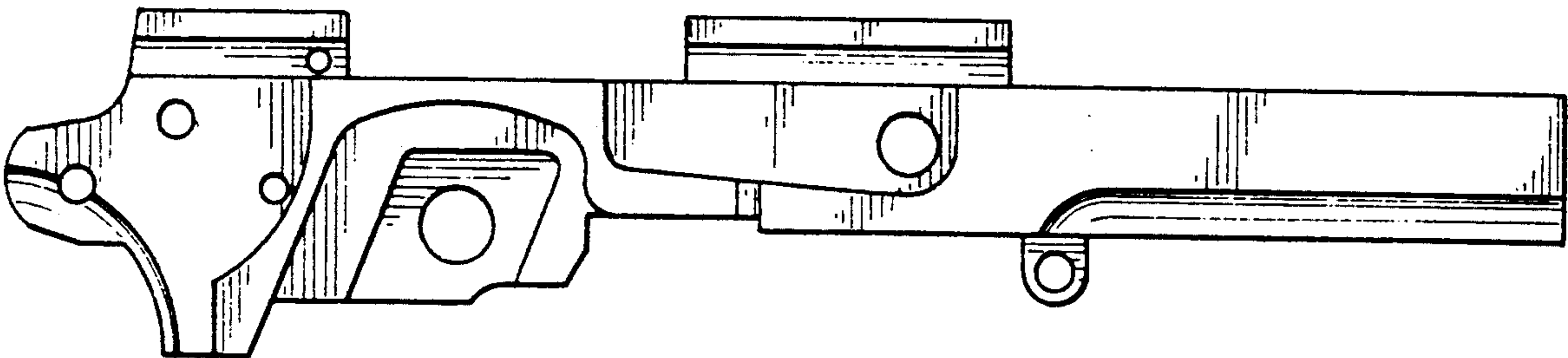


FIG. 1

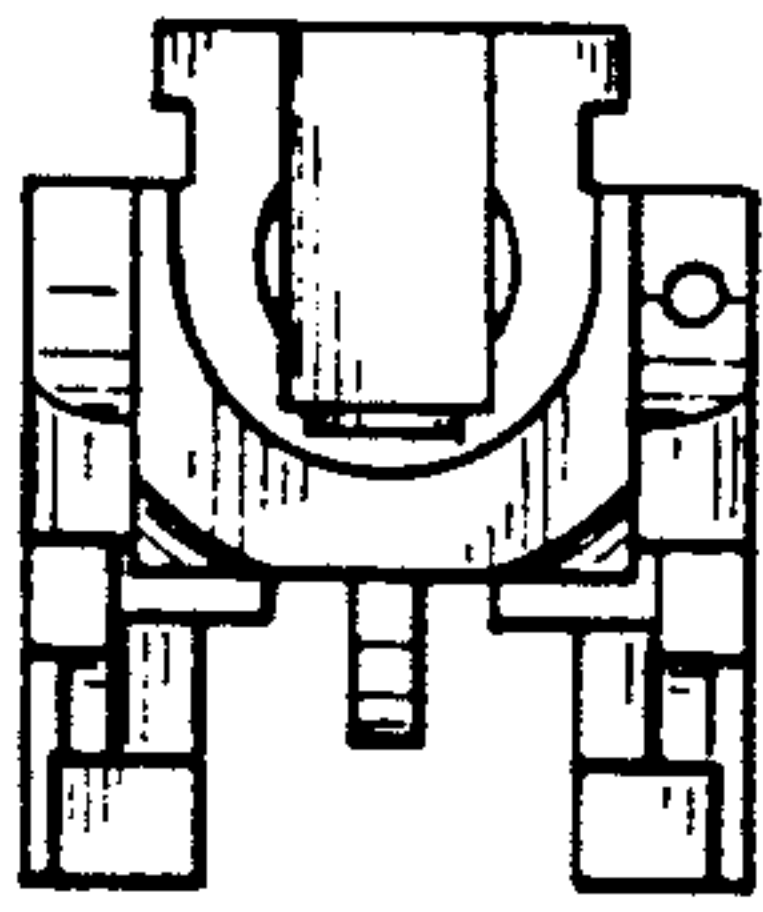


FIG. 4

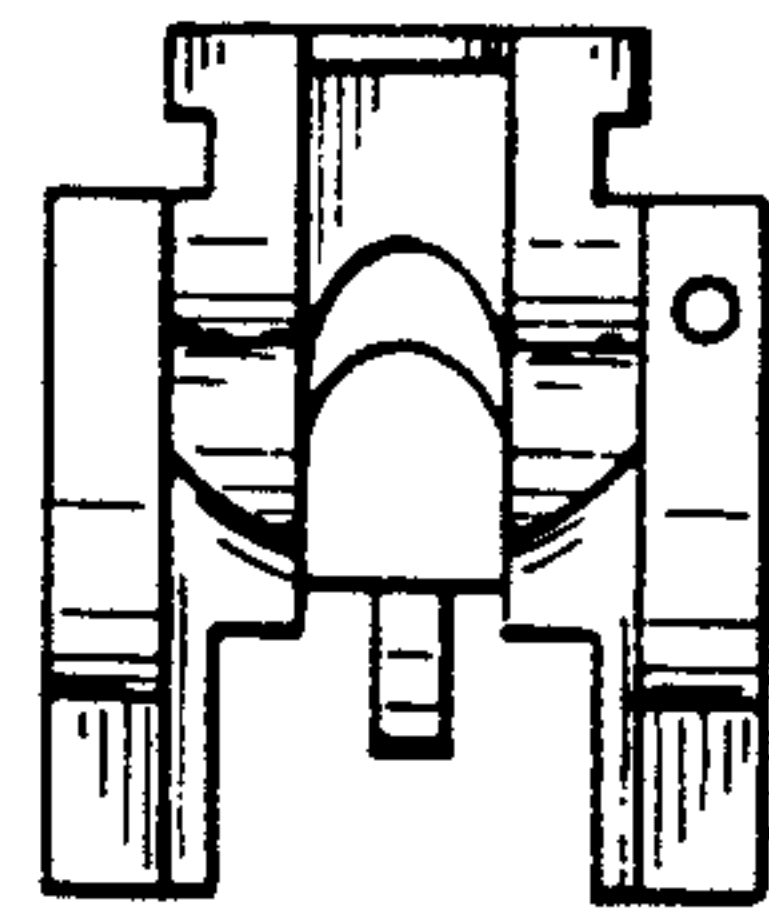


FIG. 5

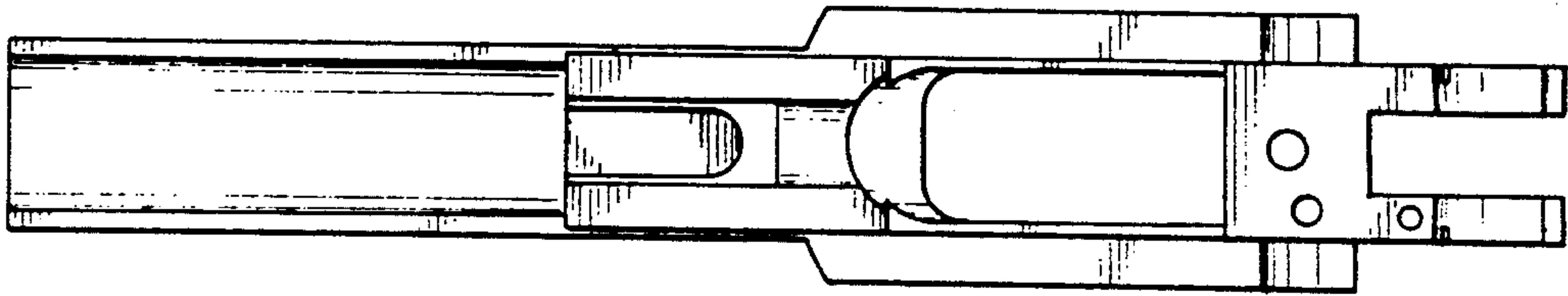


FIG. 2

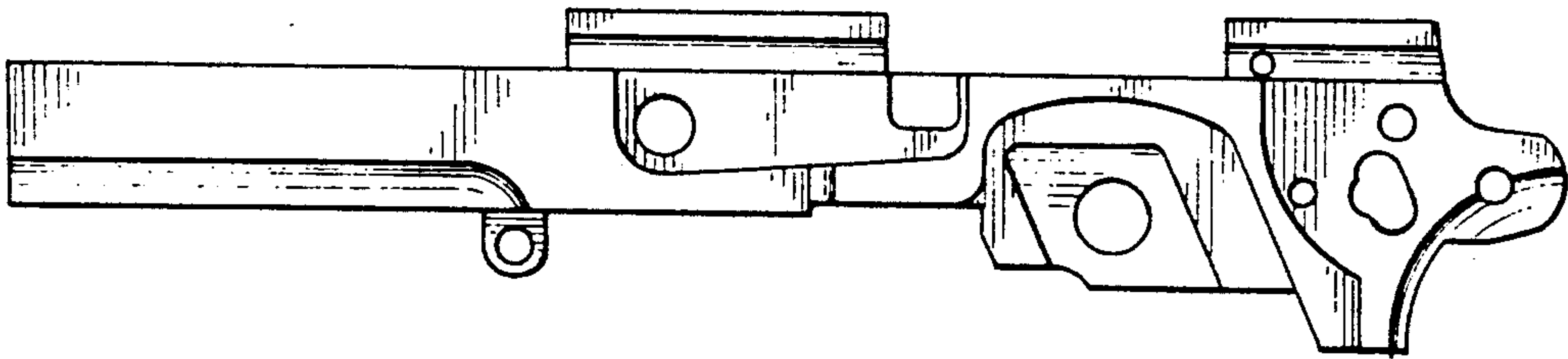


FIG. 6

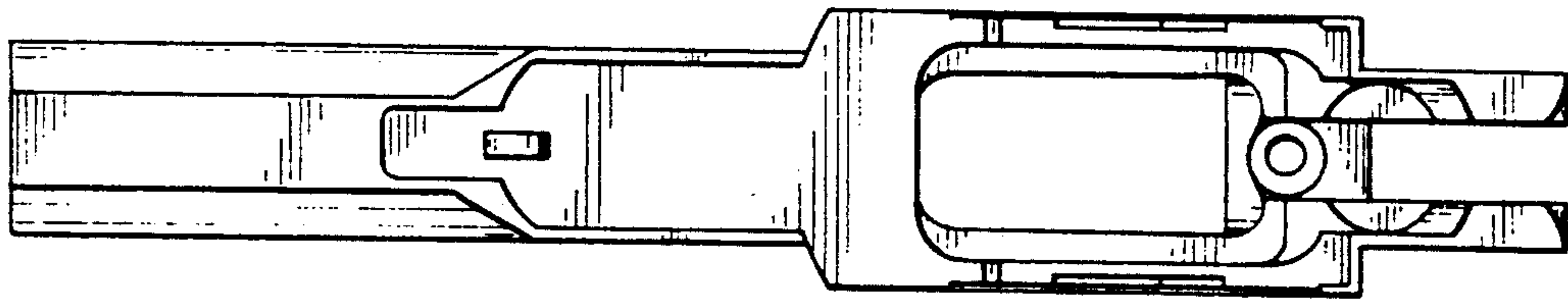


FIG. 3

