



US00D344123S

# United States Patent [19]

[11] Patent Number: **Des. 344,123**

Bertram

[45] Date of Patent: **\*\* Feb. 8, 1994**

[54] **ARCHERY BOWSTRING PEEP SIGHT**

5,157,839 10/1992 Beutler ..... 33/265

[76] Inventor: **Kim E. Bertram**, 2003 M28 E.,  
Marquette, Mich. 49855

*Primary Examiner*—A. Hugo Word  
*Assistant Examiner*—R. Seifert  
*Attorney, Agent, or Firm*—Richard C. Litman

[\*\*] Term: **14 Years**

[57] **CLAIM**

[21] Appl. No.: **837,997**

The ornamental design for an archery bowstring peep sight, as shown and described.

[22] Filed: **Feb. 21, 1992**

[52] U.S. Cl. .... **D22/107; 33/265**

**DESCRIPTION**

[58] Field of Search ..... 33/265; 124/87, 90;  
D22/107

FIG. 1 is an environmental elevational view of an archery bowstring peep sight showing my new design; FIG. 2 is an environmental, elevational view thereof, drawn to an enlarged scale; FIG. 3 is a right side elevational view thereof; FIG. 4 is a rear elevational view thereof; FIG. 5 is a top view thereof; FIG. 6 is a bottom view thereof; FIG. 7 is a front elevational view thereof; and, FIG. 8 is a left side elevational view thereof.

[56] **References Cited**

**U.S. PATENT DOCUMENTS**

3,703,771	11/1972	Saunders	33/265
3,859,733	1/1975	Chesnick .	
3,942,507	3/1976	Opal .	
4,011,853	3/1977	Fletcher	33/265
4,454,857	6/1984	Miller et al. .	
4,625,422	12/1986	Carlson	33/265
4,895,129	1/1990	Hedgpeth .	
4,934,332	6/1990	Scherz .	
4,961,264	10/1990	Topel	33/265
4,965,938	10/1990	Saunders	33/265
5,107,596	4/1992	Snyder	33/265
5,148,603	9/1992	Beutler	33/265

The broken line showing of a bow, arrow, bowstring and bow mounted peep sight in FIG. 1 is for illustrative purposes only and forms no part of the claimed design. The broken line showing of a portion of a bowstring and a bead weight in FIG. 2 is for illustrative purposes only and forms no part of the claimed design.

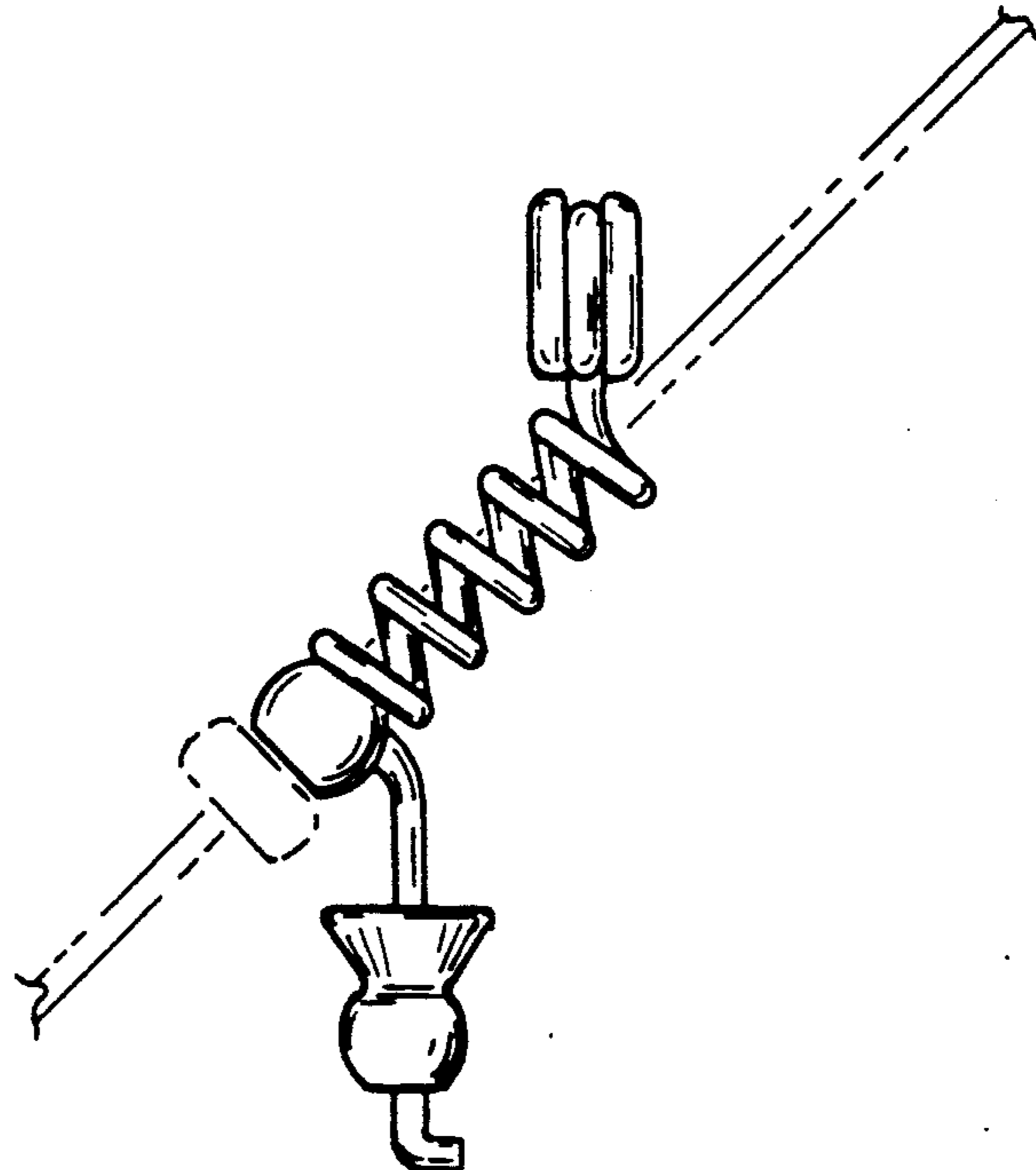


FIG. 1

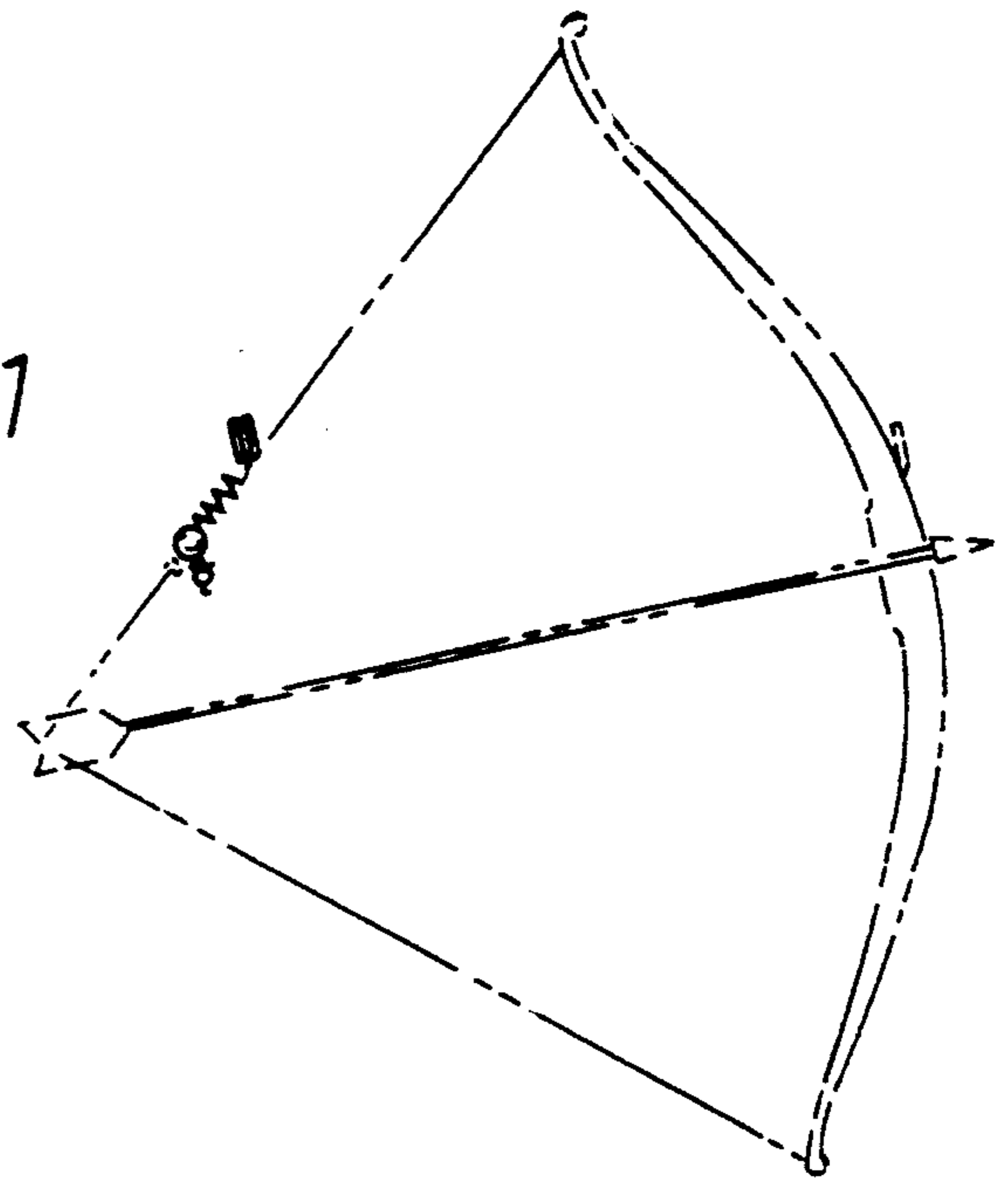


FIG. 2

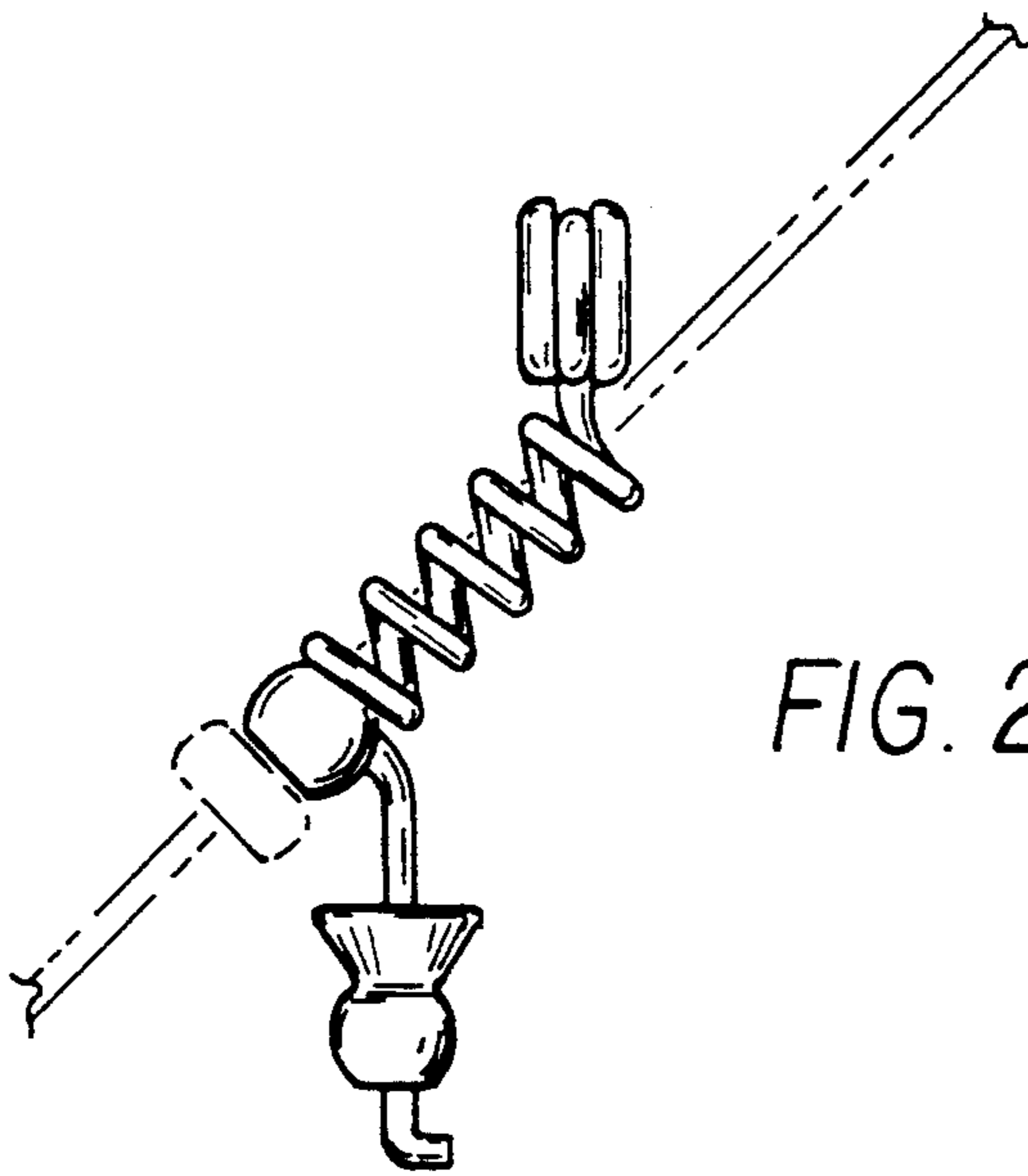


FIG. 3

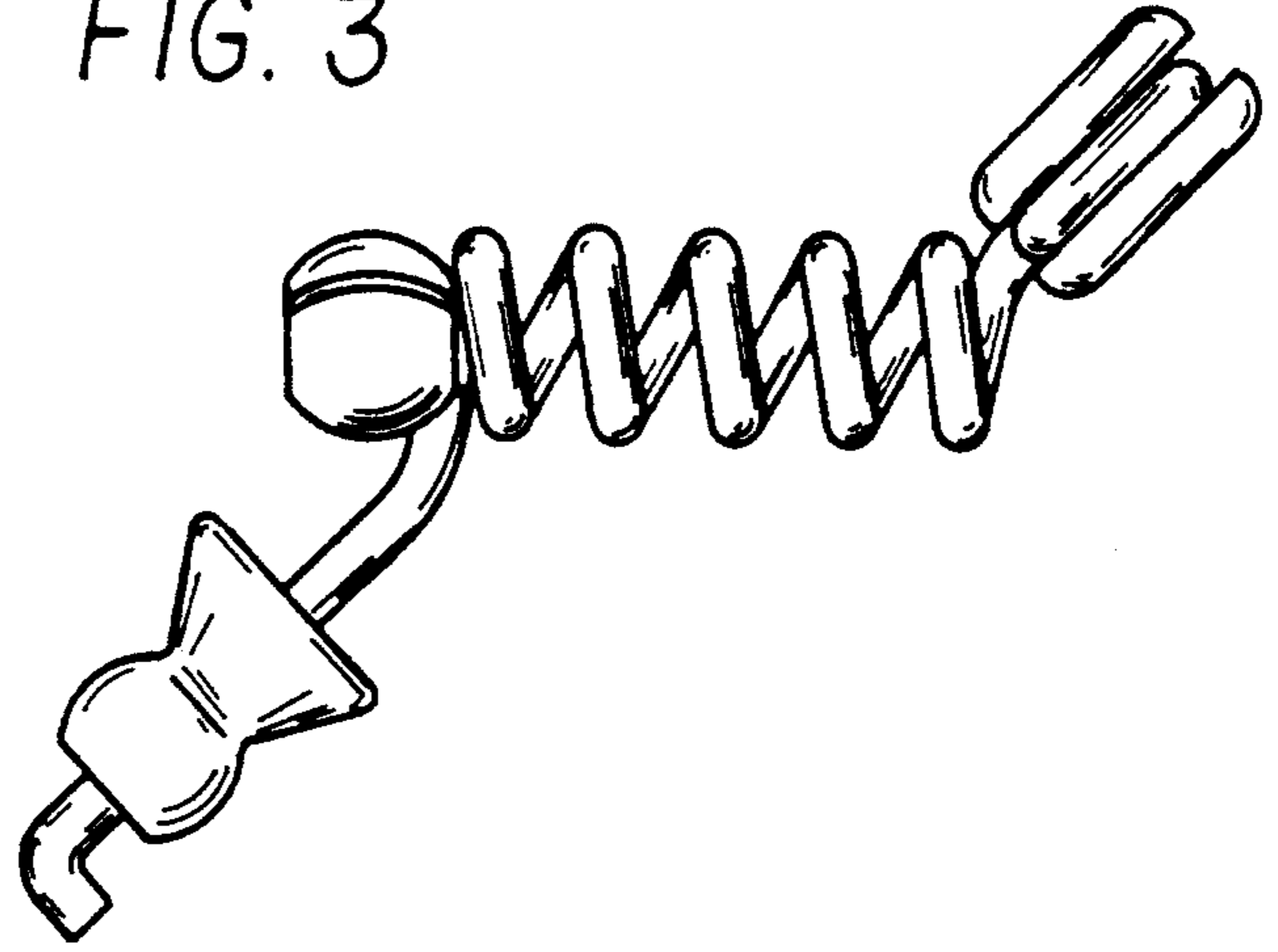


FIG. 4

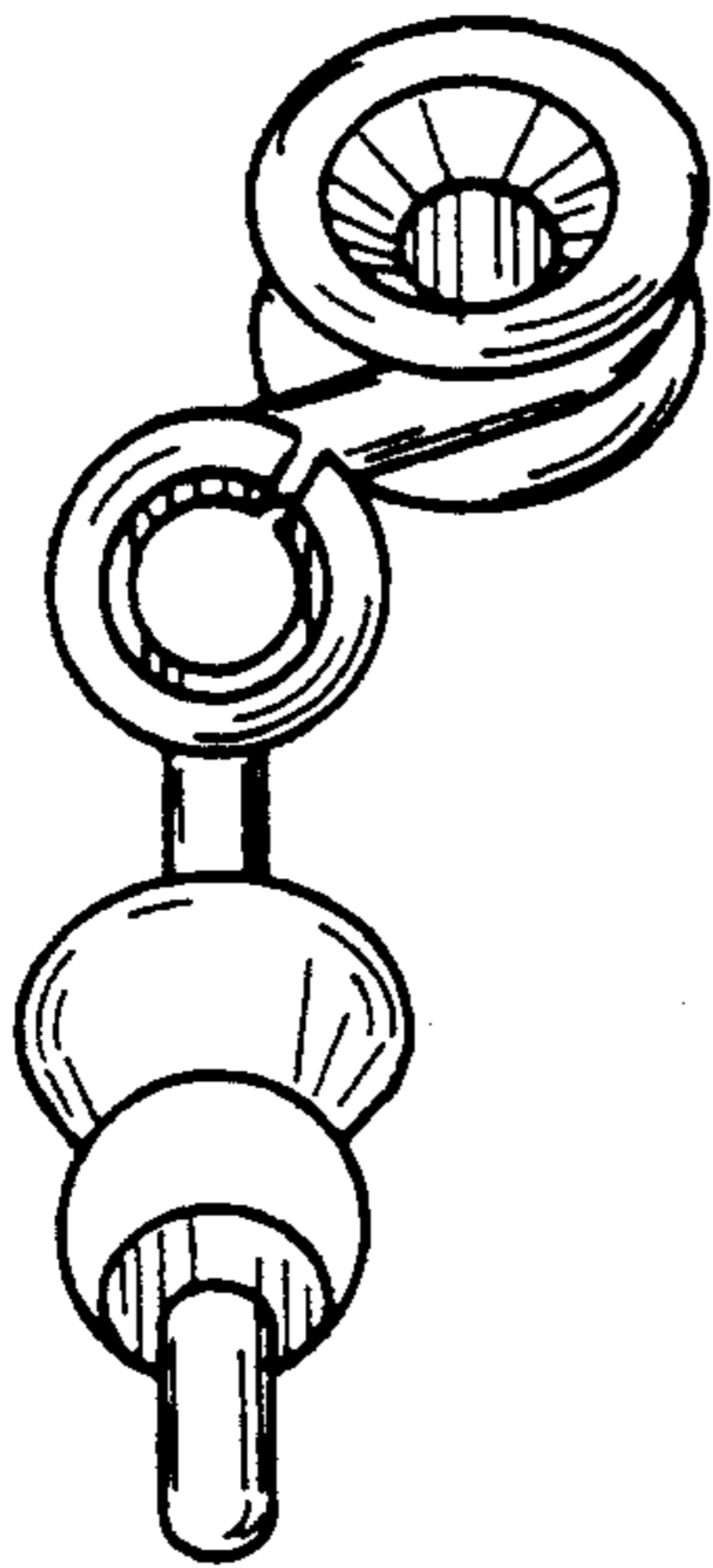


FIG. 5



FIG. 6



FIG. 7

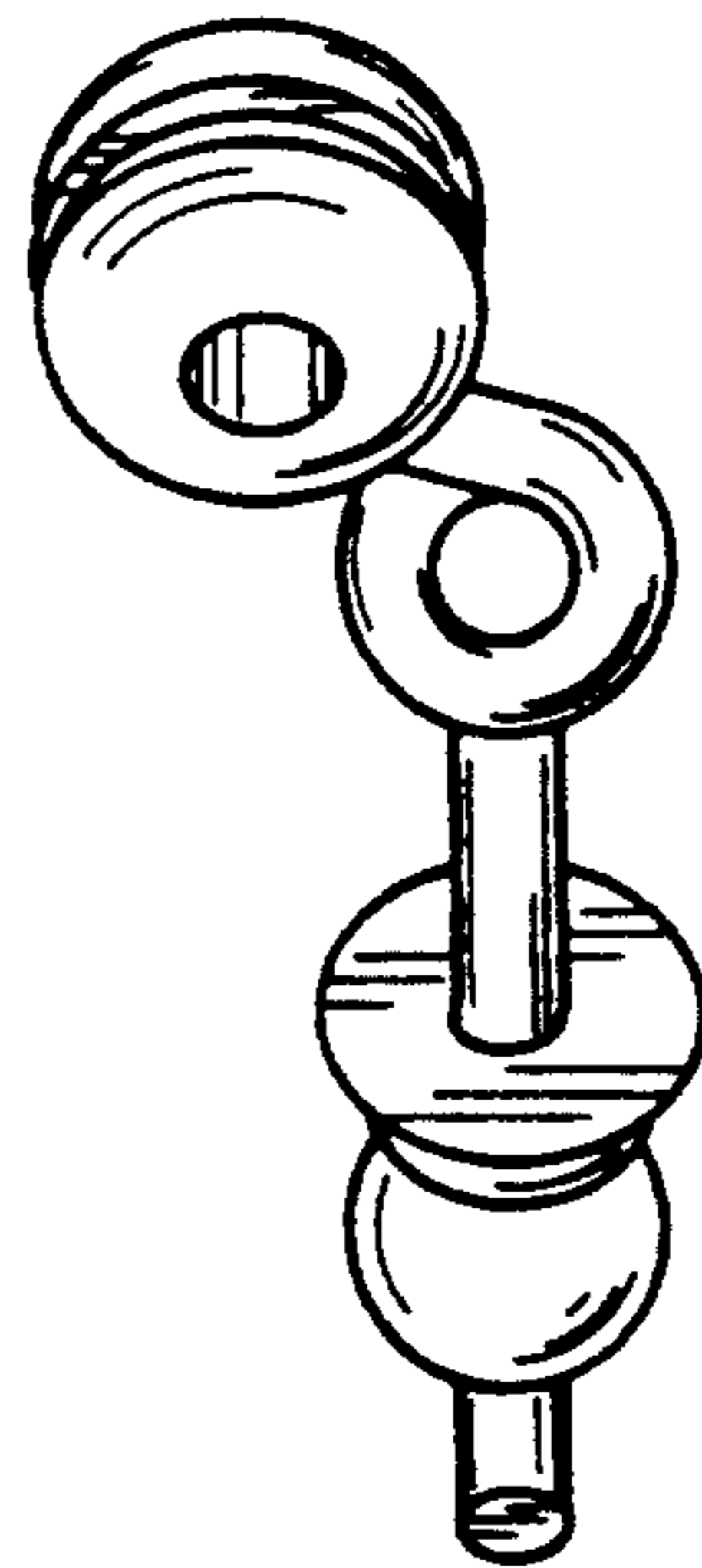


FIG. 8

