



US00D344115S

United States Patent [19]

[11] Patent Number: **Des. 344,115**

Goyette

[45] Date of Patent: **** Feb. 8, 1994**

[54] **GOALKEEPER'S STICK**

[76] Inventor: **David Goyette, 157 Banff Road,
Toronto, Ontario, Canada, M4P 2P8**

[**] Term: **14 Years**

[21] Appl. No.: **868,356**

[22] Filed: **Apr. 14, 1992**

[30] **Foreign Application Priority Data**

Feb. 28, 1992 [CA] Canada 28-02-92-5

[52] U.S. Cl. **D21/211**

[58] Field of Search 273/67 A, 67 C, 67 DA,
273/67 DB, 67 DL, 67 R, 80 C; D21/210-216

[56] **References Cited**

U.S. PATENT DOCUMENTS

- D. 241,758 10/1976 Matilainen .
- D. 263,329 3/1982 Clayton .
- 1,183,473 5/1916 McNica 273/67 A

- 3,533,623 10/1970 Dumont .
- 4,340,224 7/1982 Staats 273/67 A
- 4,544,157 10/1983 Curtis .
- 4,921,253 5/1990 Tesori .

Primary Examiner—Terry A. Wallace
Attorney, Agent, or Firm—Jeffrey T. Imai; Arne I. Fors;
D. Doak Horne

[57] **CLAIM**

The ornamental design for a goalkeeper's stick, as shown and described.

DESCRIPTION

FIG. 1 is a perspective view of a goalkeeper's stick showing my new design;
 FIG. 2 is a left side elevational view thereof;
 FIG. 3 is a right side elevational view thereof;
 FIG. 4 is a front elevational view thereof;
 FIG. 5 is a rear elevational view thereof;
 FIG. 6 is a top plan view thereof; and,
 FIG. 7 is a bottom plan view thereof.

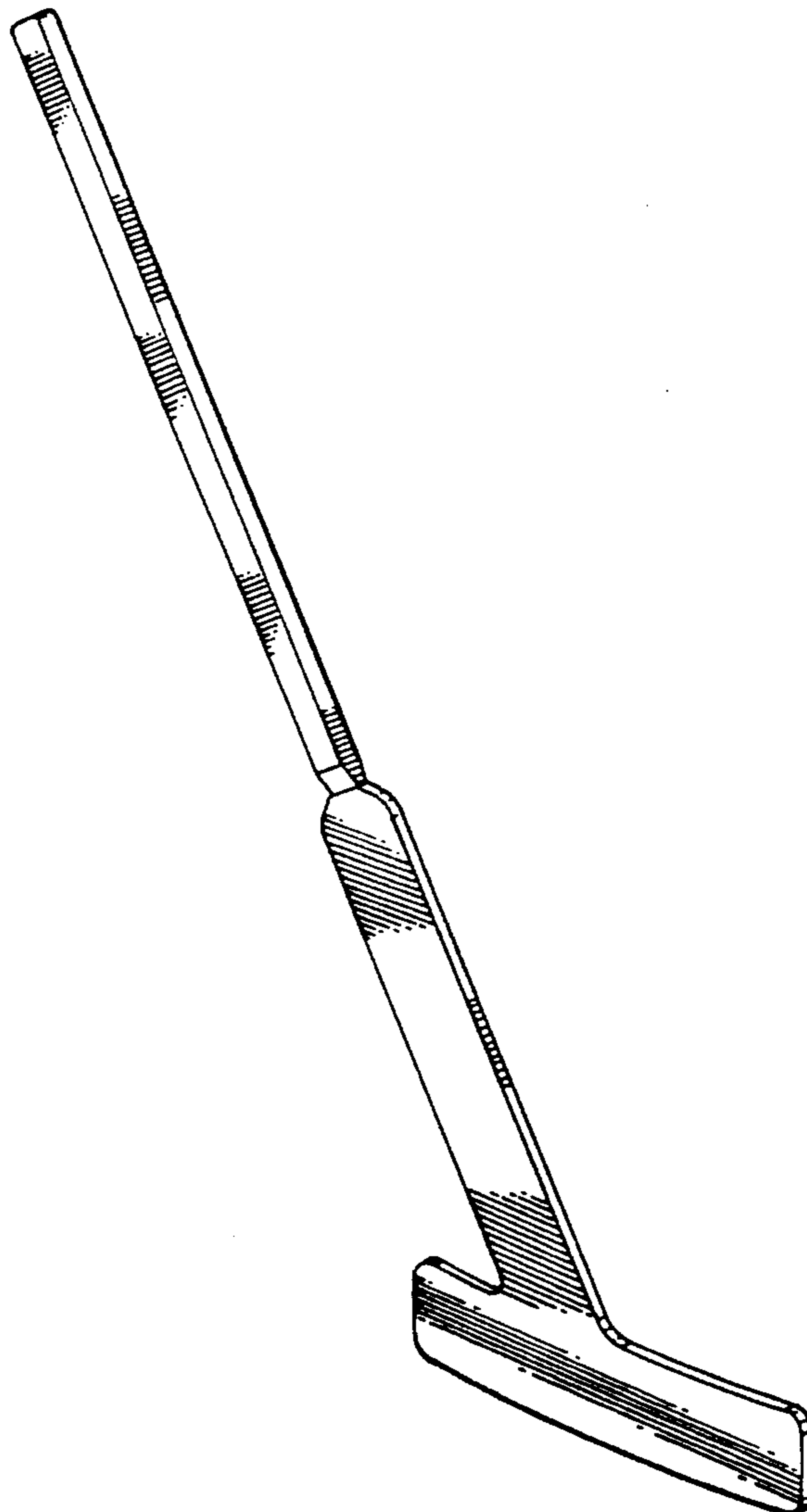


FIG. 1.

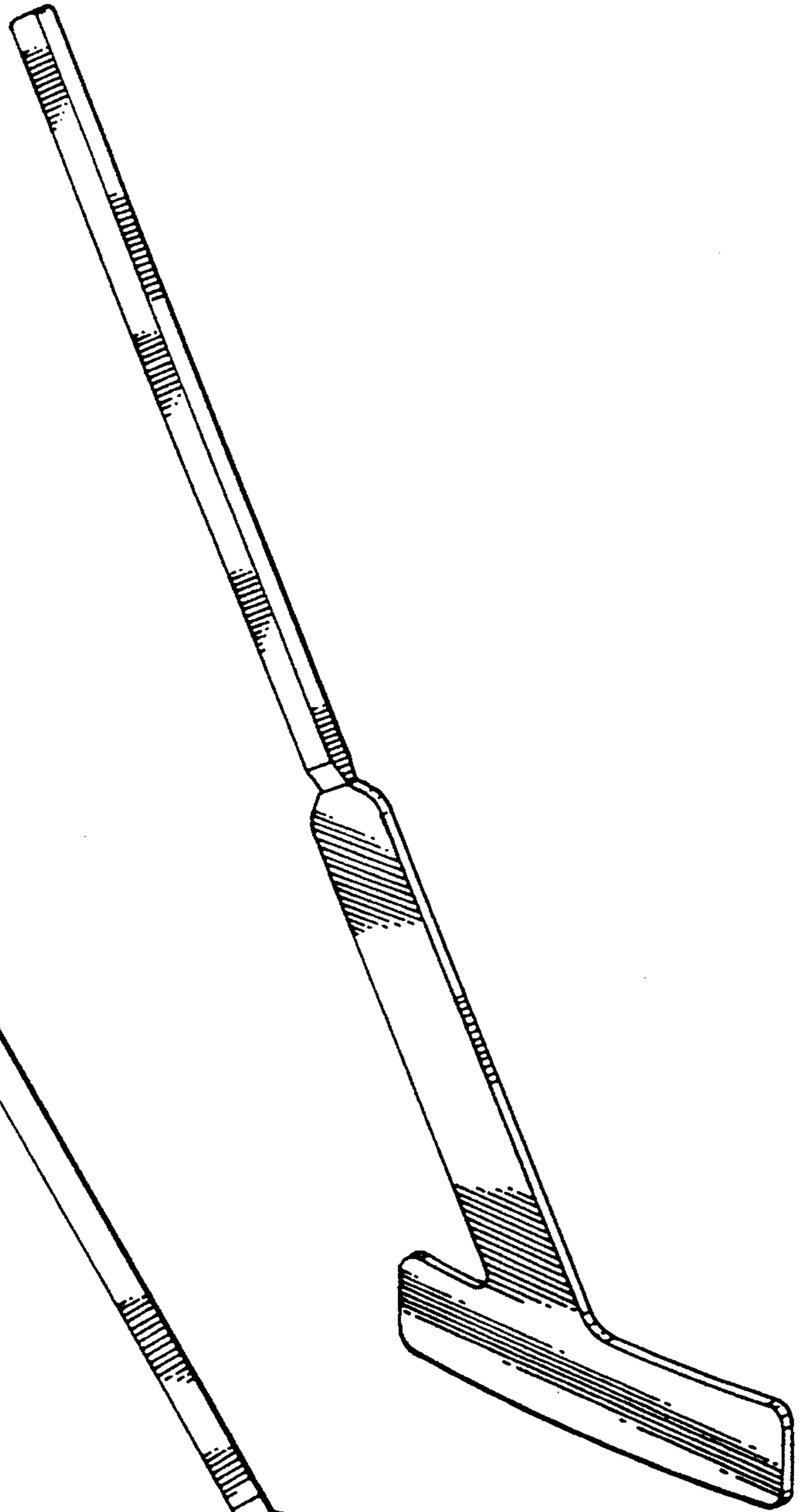
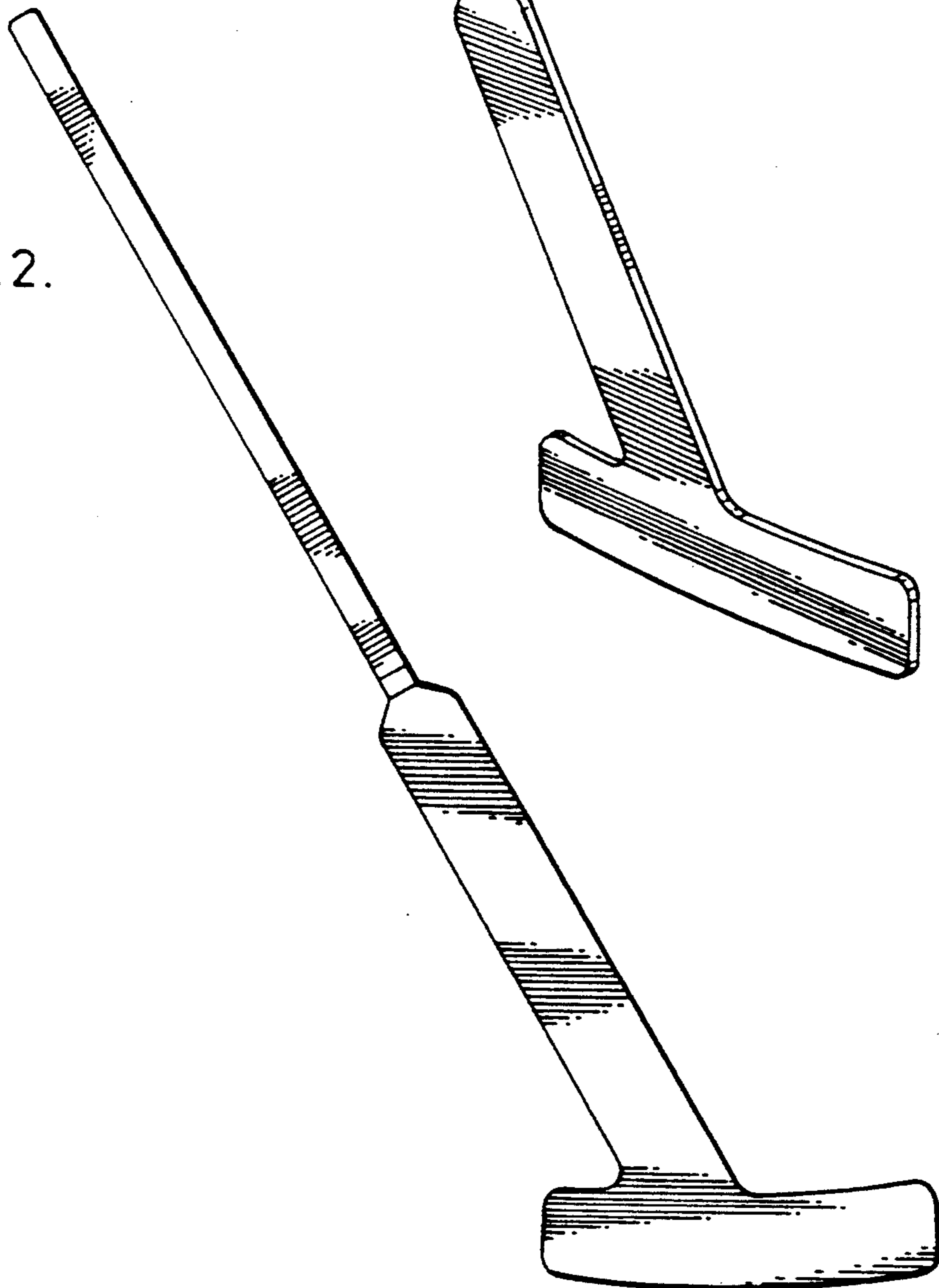


FIG. 2.



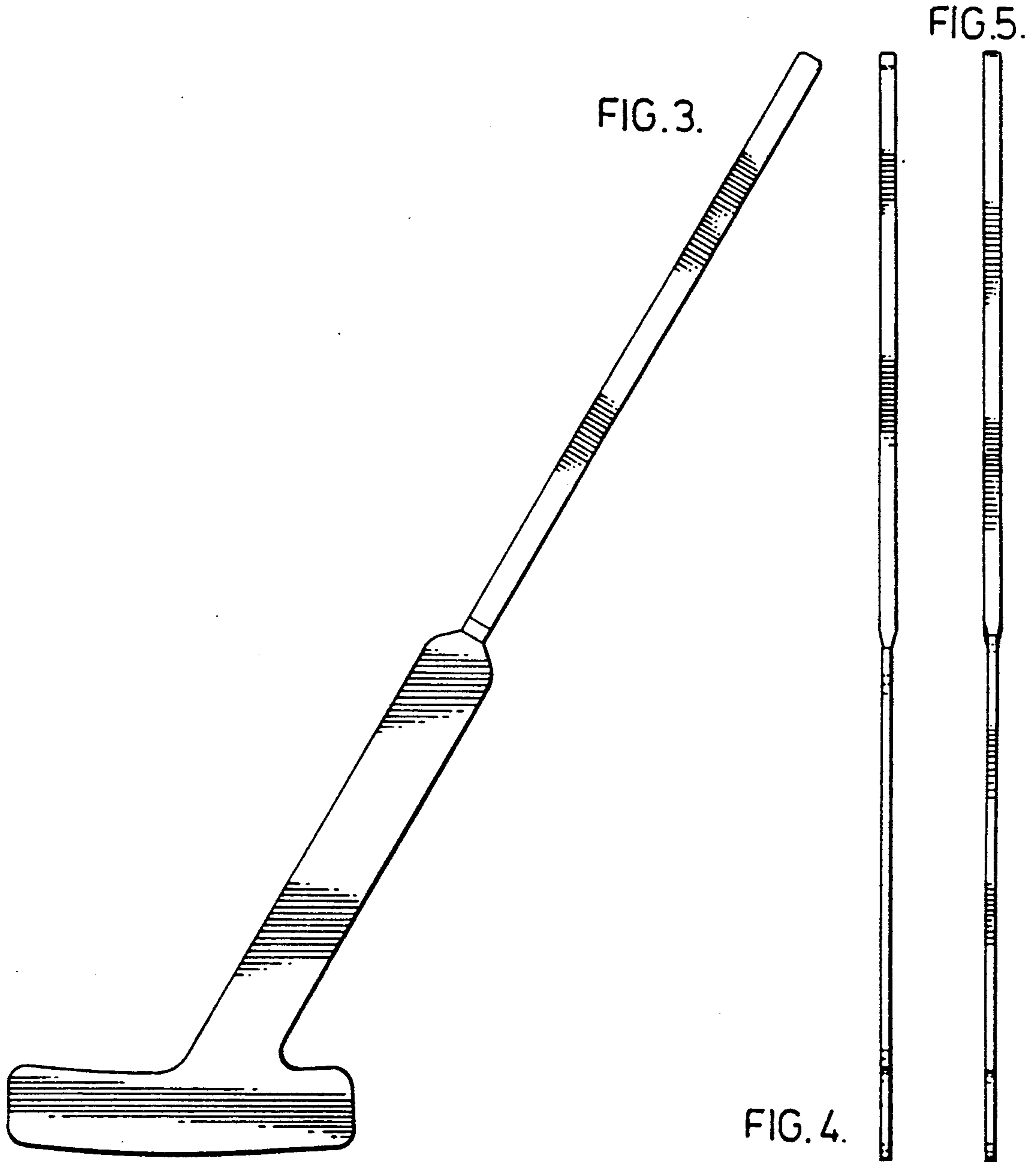


FIG. 6.



FIG. 7.

