



US00D344113S

United States Patent [19]

[11] Patent Number: **Des. 344,113**

Shelton et al.

[45] Date of Patent: **** Feb. 8, 1994**

[54] **AQUATIC DUMBBELL**

[75] Inventors: **Robert N. Shelton, Princeton;**
Andrew F. Fireman, Needham, both
of Mass.

4,416,451 11/1983 Solloway .
4,565,369 1/1986 Bedgood .
4,623,142 11/1986 MacKechnie 482/111
4,819,951 4/1989 Solloway 482/111
5,033,739 7/1991 MacKechnie 482/111

[73] Assignee: **Aqua-Leisure Industries, Inc., Avon,**
Mass.

Primary Examiner—Melvin B. Feifer
Assistant Examiner—Philip Hyder
Attorney, Agent, or Firm—Wolf, Greenfield & Sacks

[**] Term: **14 Years**

[57] **CLAIM**

[21] Appl. No.: **887,916**

The ornamental design for an aquatic dumbbell, as shown and described.

[22] Filed: **May 21, 1992**

[52] U.S. Cl. **D21/197**

[58] Field of Search 482/108, 111, 44, 50;
D21/191, 197, 198

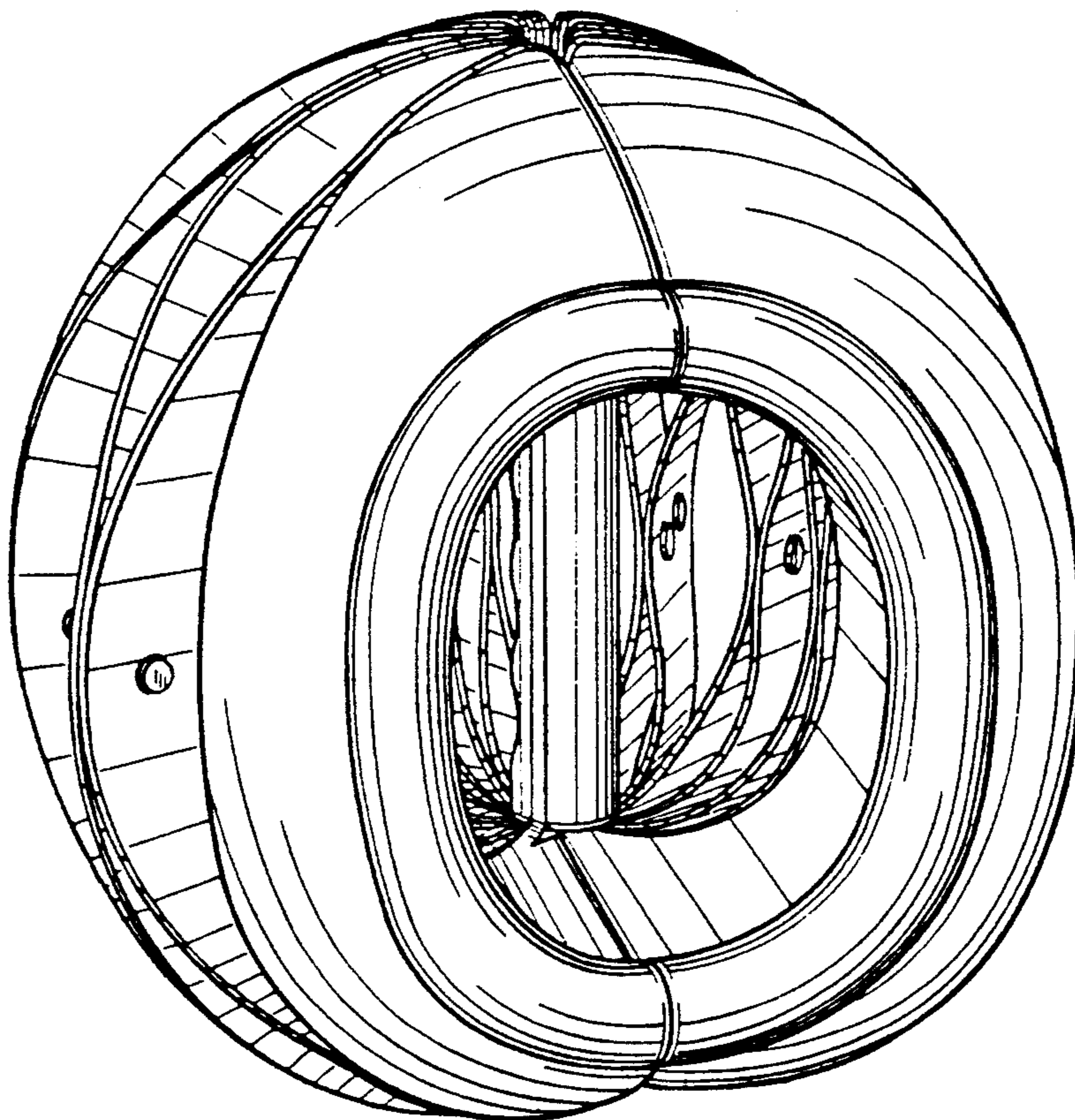
DESCRIPTION

FIG. 1 is a perspective view of an aquatic dumbbell, showing our new design;
FIG. 2 is a top plan view thereof, the bottom view being a mirror image;
FIG. 3 is a front elevational view thereof;
FIG. 4 is a left side view thereof;
FIG. 5 is a right side view thereof; and,
FIG. 6 is a rear elevational view thereof.

[56] **References Cited**

U.S. PATENT DOCUMENTS

D. 279,919 7/1985 Bedgood D21/198
D. 309,763 8/1990 Solloway D21/197
4,311,306 1/1982 Solloway 482/108



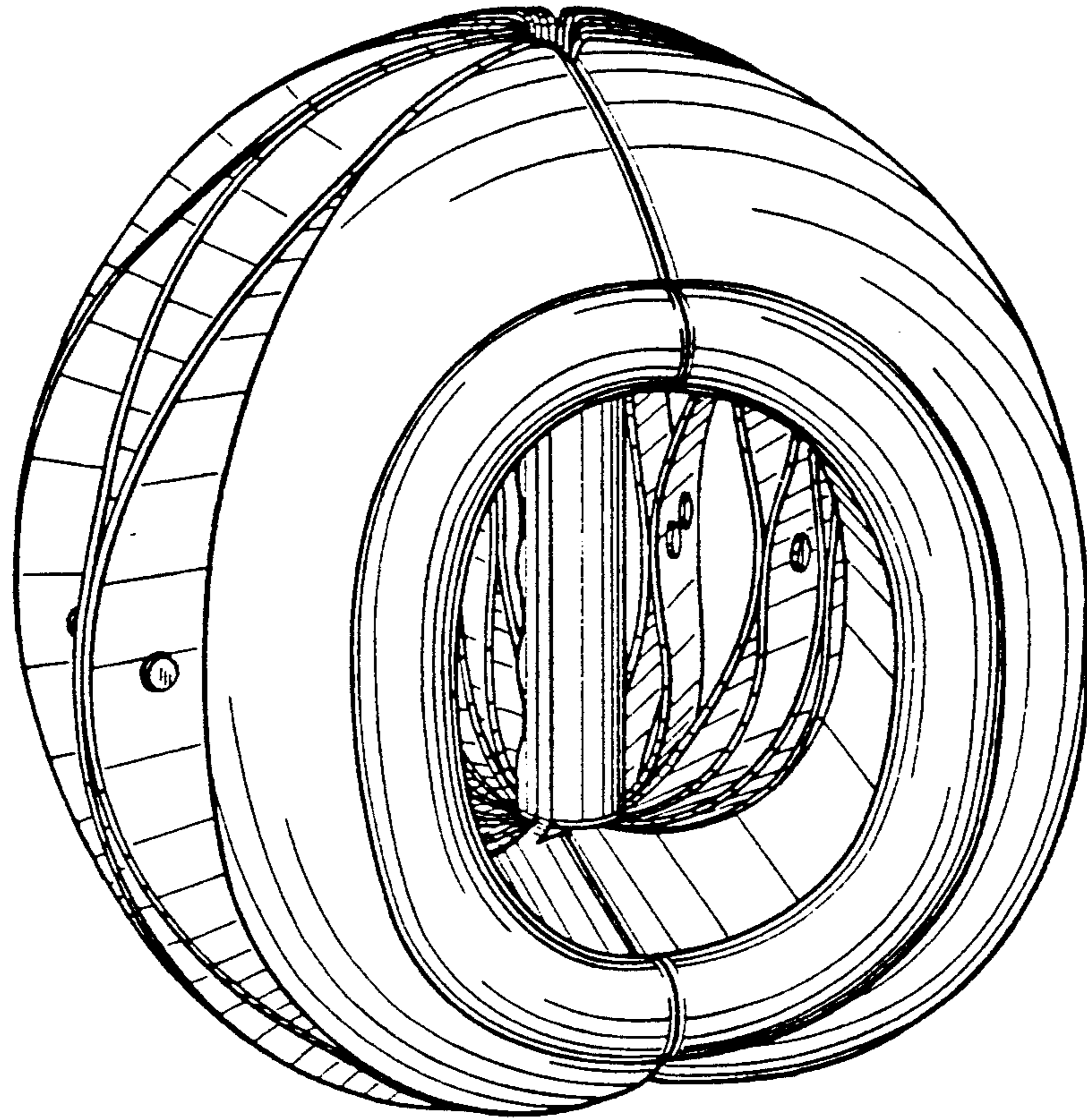


Fig. 1

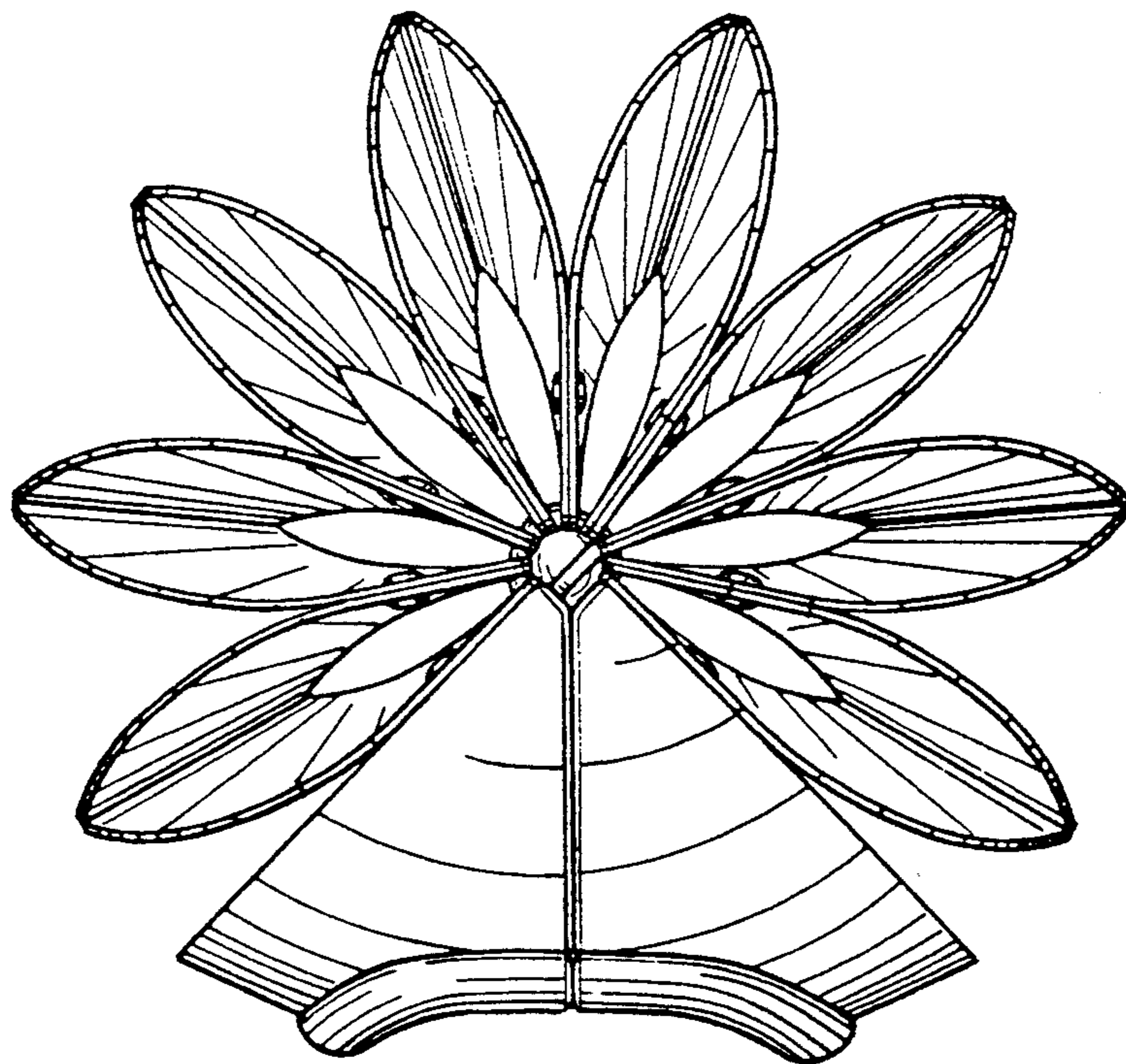


Fig. 2

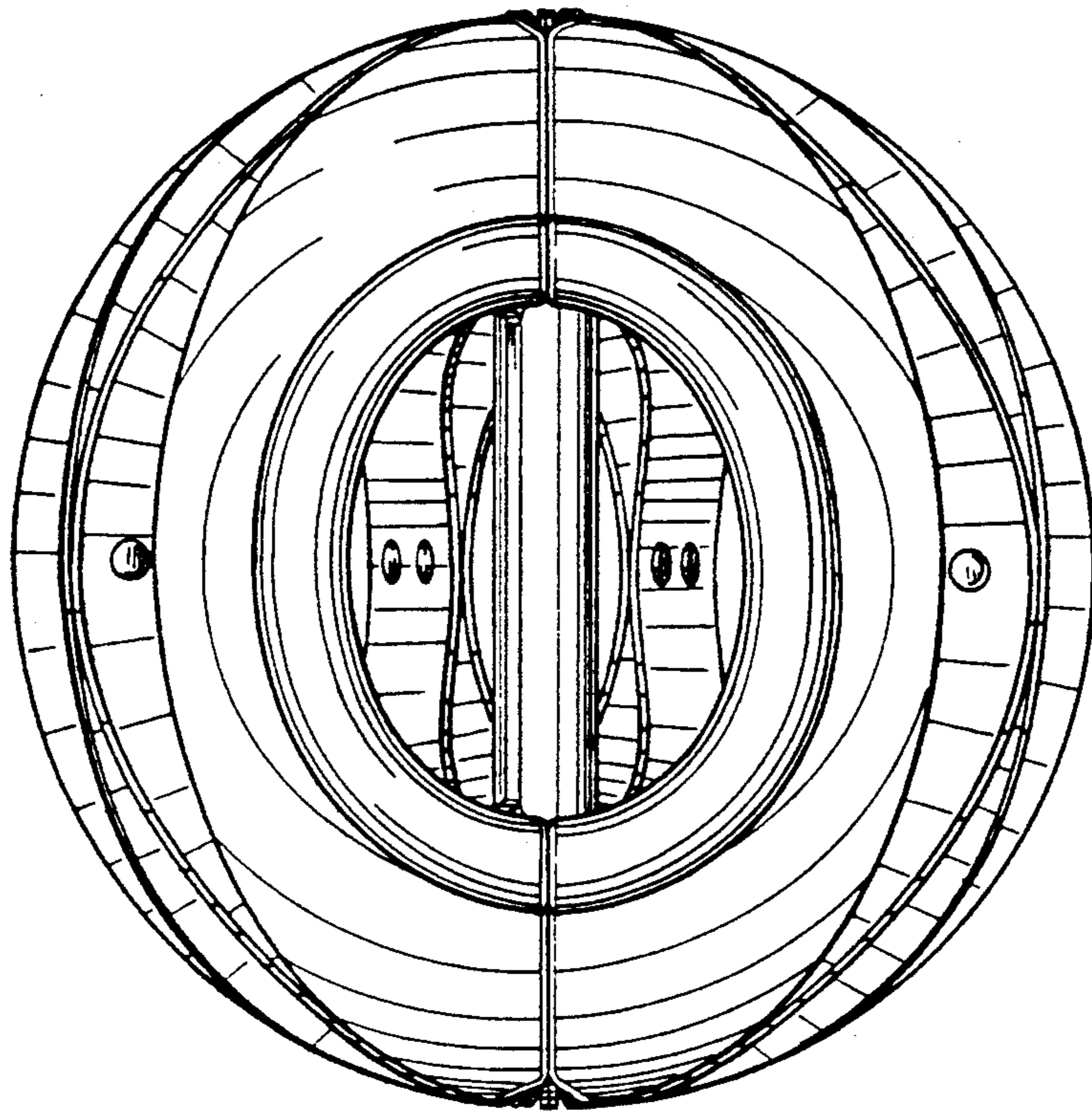


Fig. 3

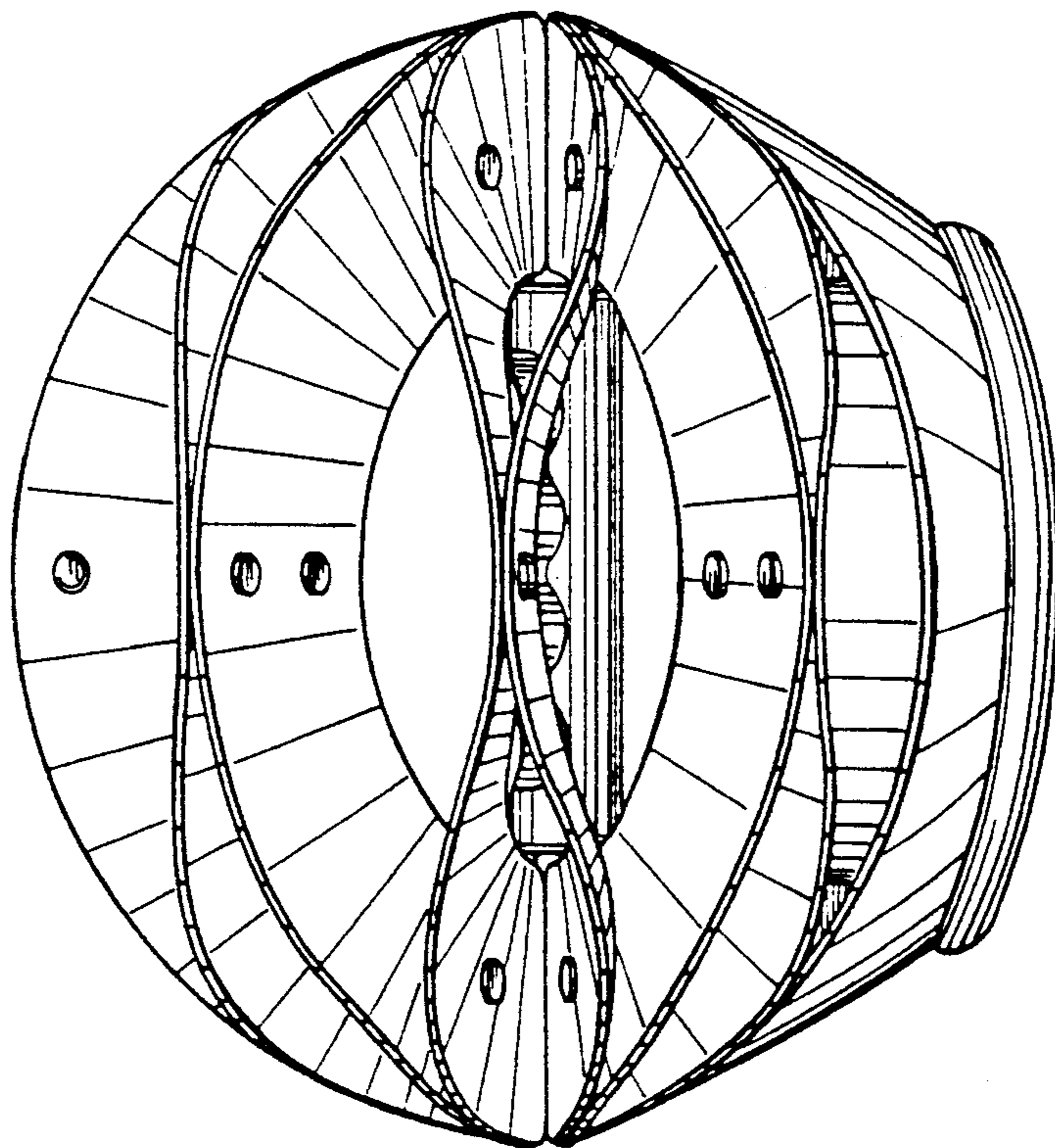


Fig. 4

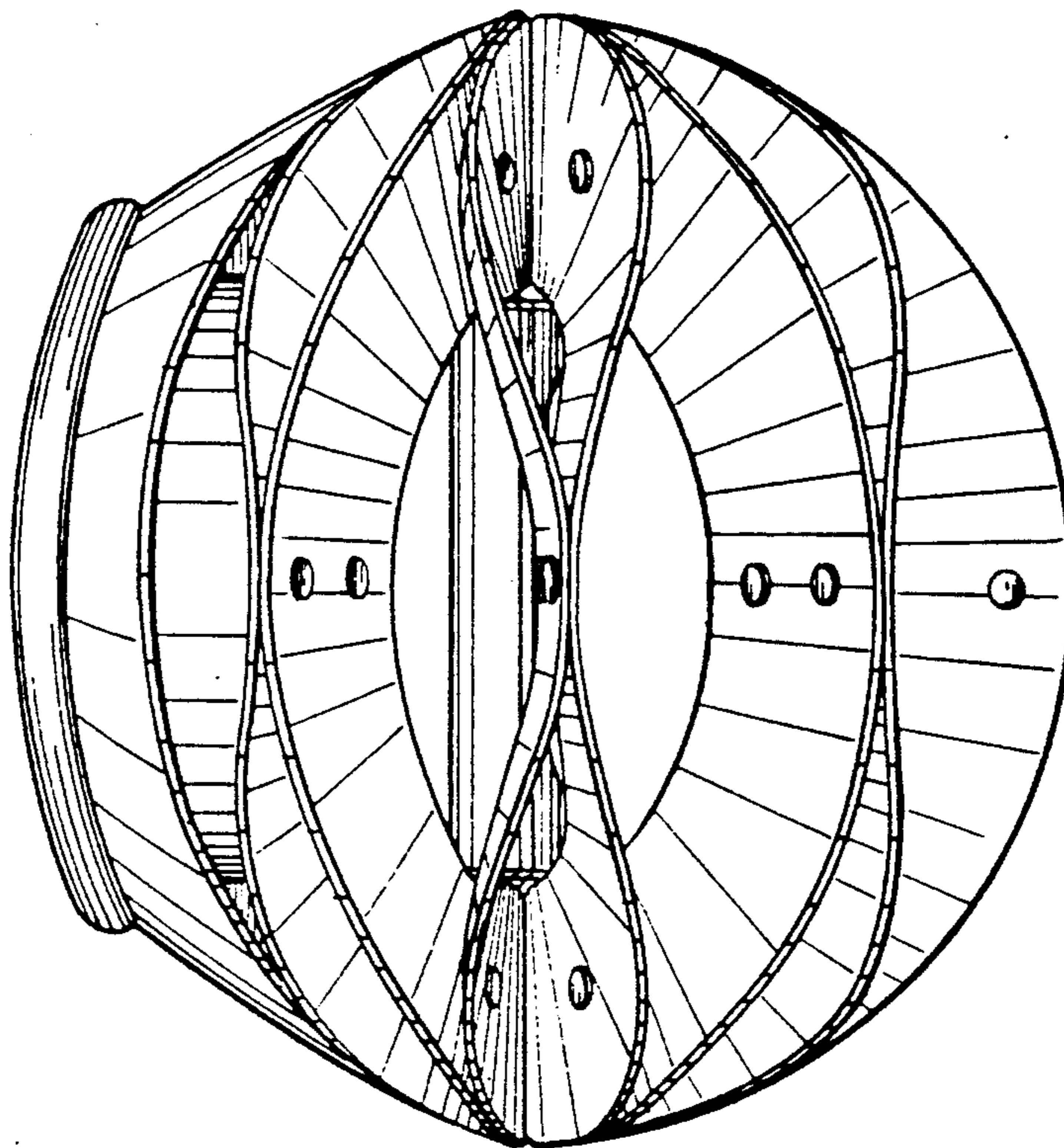


Fig. 5

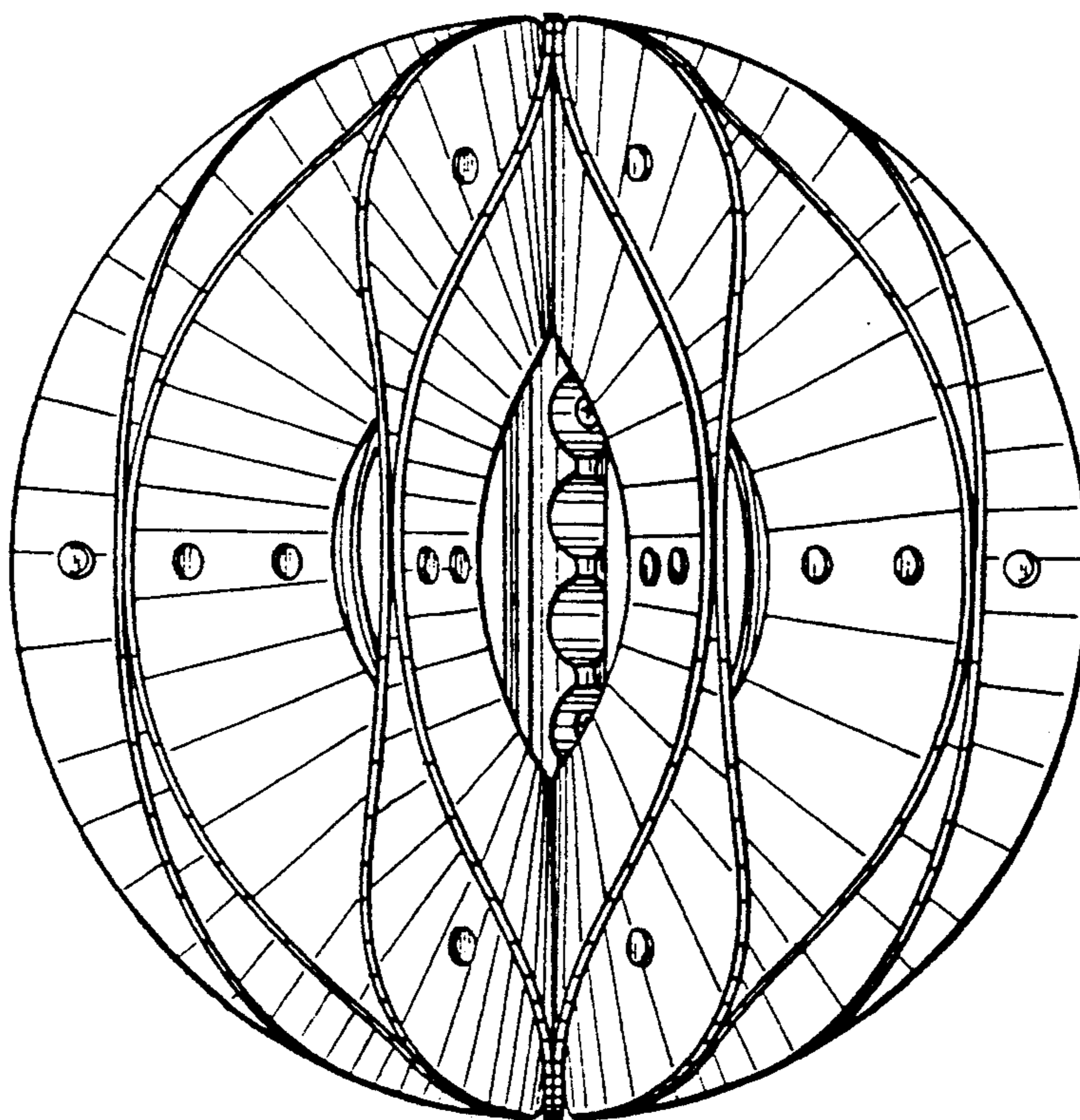


Fig. 6